



US00D663213S

(12) **United States Design Patent**  
**Kallenbach et al.**

(10) **Patent No.:** **US D663,213 S**  
(45) **Date of Patent:** **\*\* Jul. 10, 2012**

(54) **BOTTLE**

(75) Inventors: **Jason Kallenbach**, Akron, OH (US);  
**Carolee Kam Yung Young**, Sullivan,  
OH (US); **Kara Marie Buckler**, Akron,  
OH (US); **Tamara Fynan**, Akron, OH  
(US); **Christopher Steven Hart**,  
Chicago, IL (US); **Jonathan Edward**  
**Rathbone**, Chicago, IL (US)

(73) Assignee: **The J.M. Smucker Company**, Orrville,  
OH (US)

(\*\*) Term: **14 Years**

(21) Appl. No.: **29/416,367**

(22) Filed: **Mar. 21, 2012**

**Related U.S. Application Data**

(62) Division of application No. 29/377,147, filed on Oct.  
18, 2010.

(51) **LOC (9) Cl.** ..... **09-01**

(52) **U.S. Cl.** ..... **D9/528; D9/551; D9/454**

(58) **Field of Classification Search** ..... D9/434,  
D9/435, 452, 454, 516, 523–528, 530, 531,  
D9/534, 537, 538, 540, 541, 543, 551, 572,  
D9/575; D23/211.1, 211.2, 212; 215/200,  
215/371, 381–385, 396, 398; 220/660, 669,  
220/679, 752

See application file for complete search history.

(56) **References Cited**

**U.S. PATENT DOCUMENTS**

D199,643 S 11/1964 Roberts  
D204,702 S 5/1966 Nixon  
D278,030 S 3/1985 Drummond  
D305,871 S \* 2/1990 Geiger ..... D9/435  
D358,098 S \* 5/1995 Carre et al. .... D9/529

D391,490 S \* 3/1998 Wilson ..... D9/528  
D551,556 S 9/2007 Kaminski  
D576,045 S \* 9/2008 LeVasseur et al. .... D9/531  
D576,046 S \* 9/2008 Cardinal et al. .... D9/531  
D578,397 S 10/2008 Caldwell  
D592,959 S 5/2009 Caldwell  
D594,749 S 6/2009 Caldwell  
D595,588 S 7/2009 Caldwell  
D596,947 S 7/2009 Mengeu et al.  
D597,843 S \* 8/2009 Franzolin et al. .... D9/531  
D597,844 S \* 8/2009 Franzolin et al. .... D9/531  
D598,746 S 8/2009 Caldwell  
D610,909 S 3/2010 Caldwell  
D617,199 S \* 6/2010 Watson et al. .... D9/531  
D621,714 S \* 8/2010 Watson et al. .... D9/531  
D658,500 S 5/2012 Haupt

\* cited by examiner

*Primary Examiner* — Prabhakar Deshmukh

*Assistant Examiner* — Keli L Hill

(74) *Attorney, Agent, or Firm* — Calfee, Halter & Griswold  
LLP

(57) **CLAIM**

We claim the ornamental design for a bottle, as shown and  
described.

**DESCRIPTION**

FIG. 1 is a top/right/front perspective view of a bottle (“Slick  
Jack”);

FIG. 2 is a bottom/left/rear perspective view thereof;

FIG. 3 is a front elevational view thereof, for which a rear  
elevational view would be a mirror image thereof;

FIG. 4 is a left side elevational view thereof;

FIG. 5 is a right side elevational view thereof;

FIG. 6 is a top view thereof; and,

FIG. 7 is a bottom view thereof.

The broken lines shown are included for the purpose of illus-  
trating the unclaimed portions of the article and form no part  
of the claim.

**1 Claim, 5 Drawing Sheets**

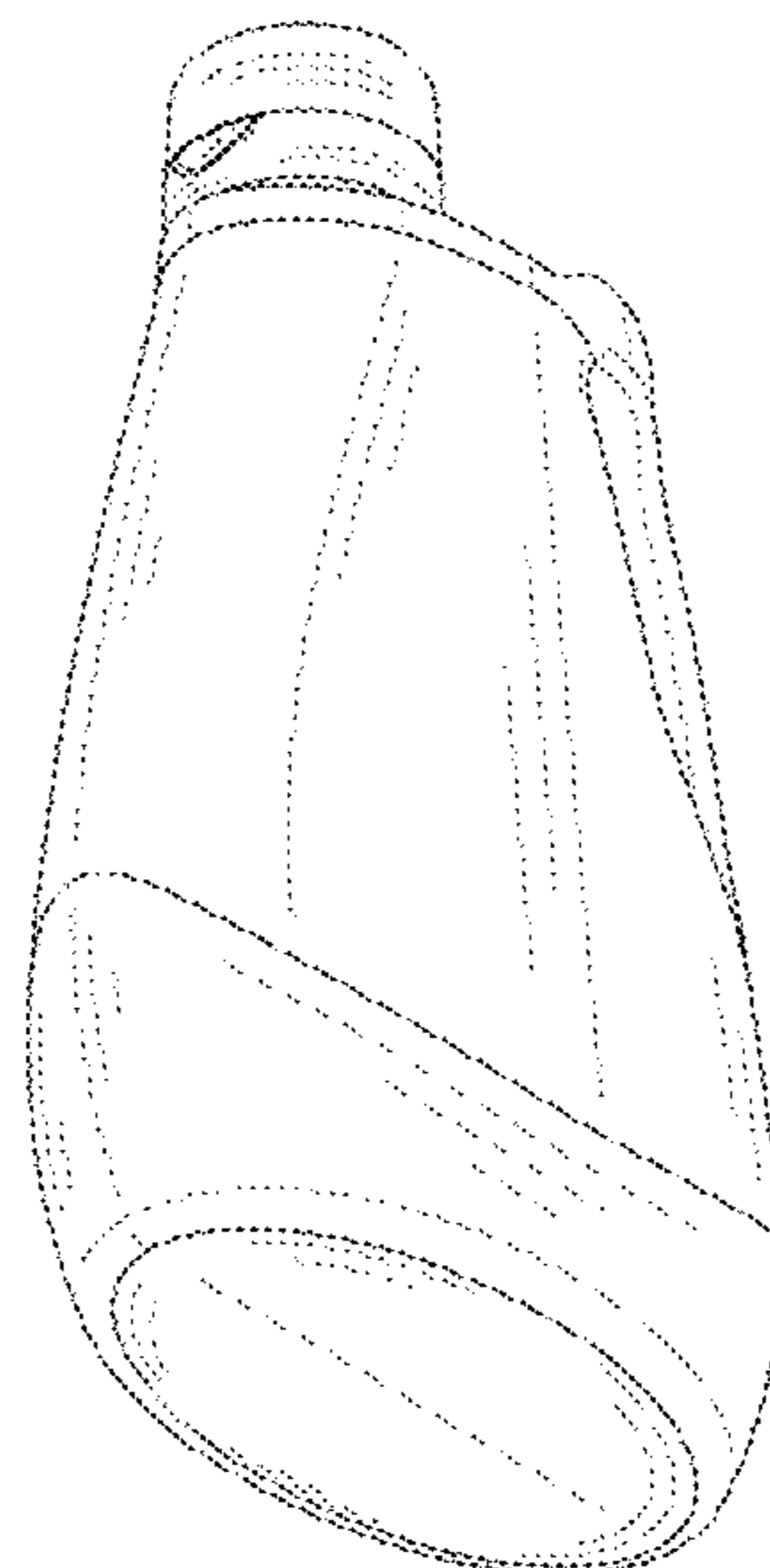
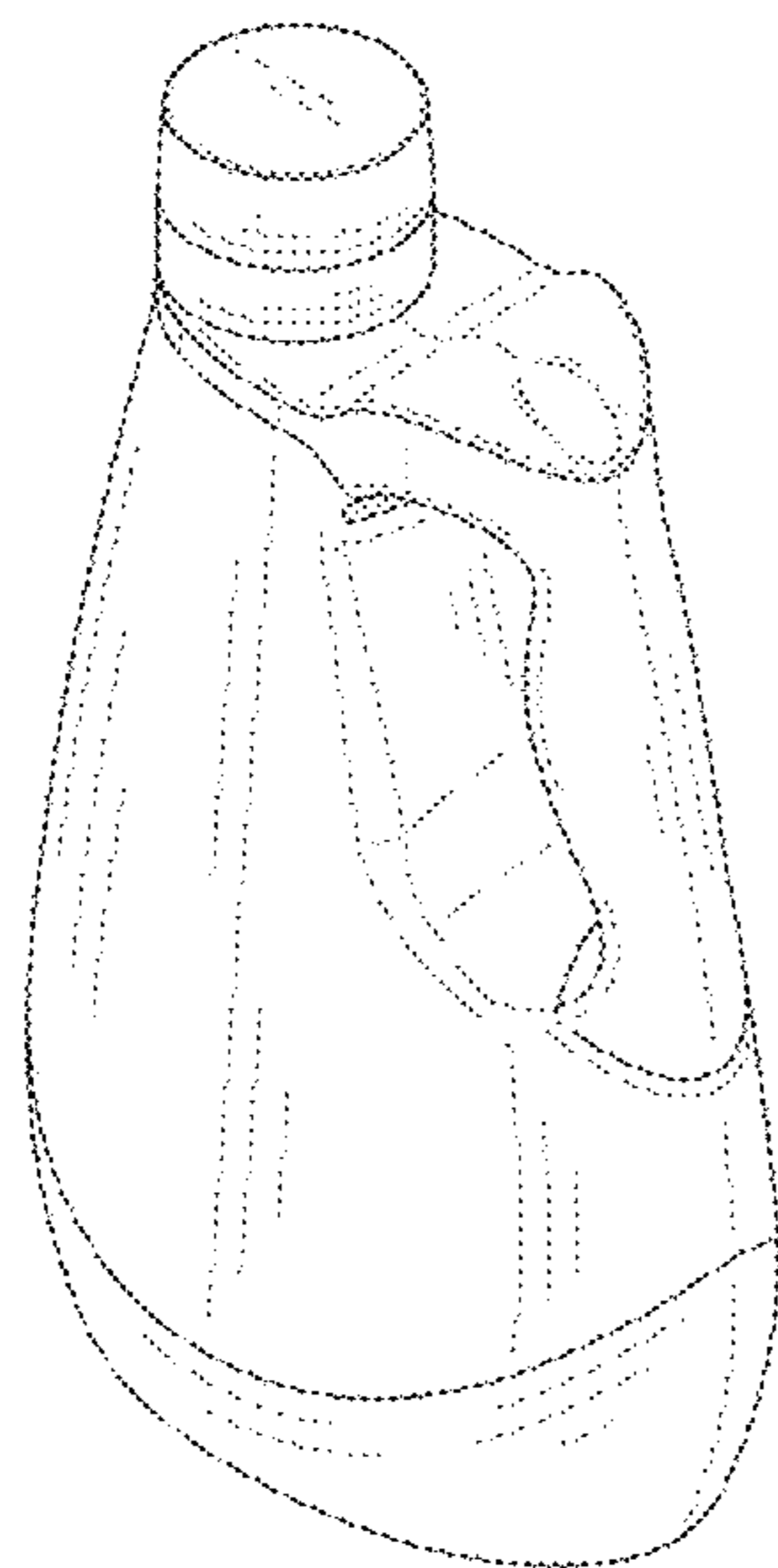




FIG. 1



FIG. 2

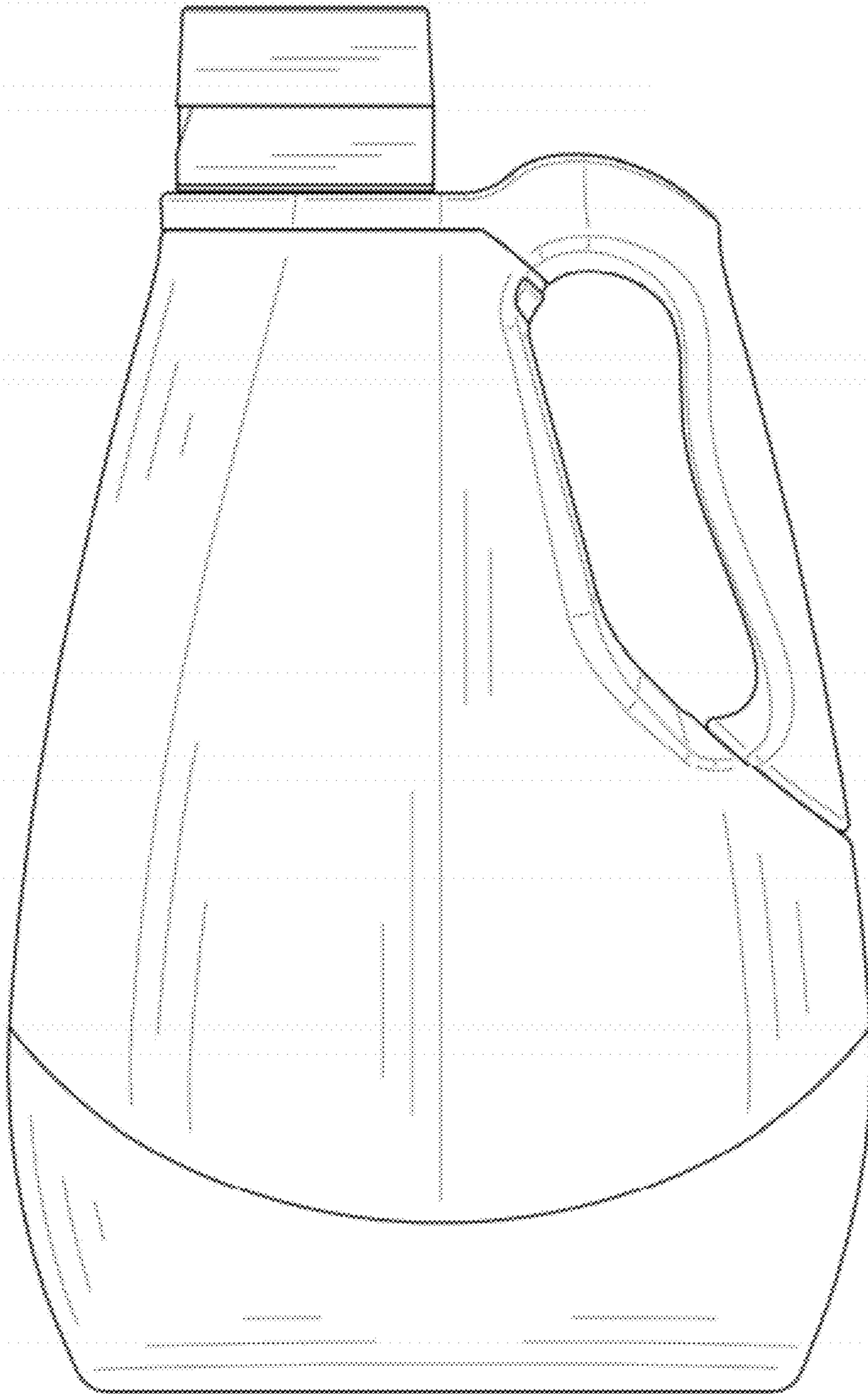


FIG. 3

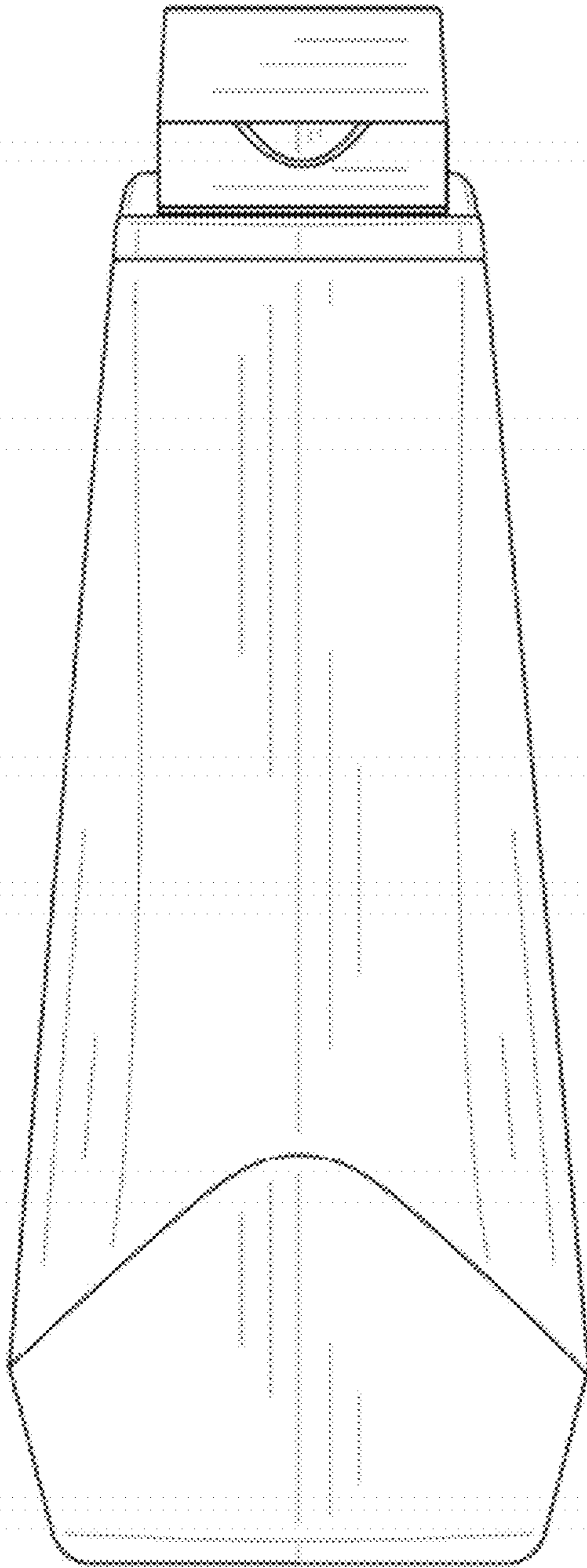


FIG. 4

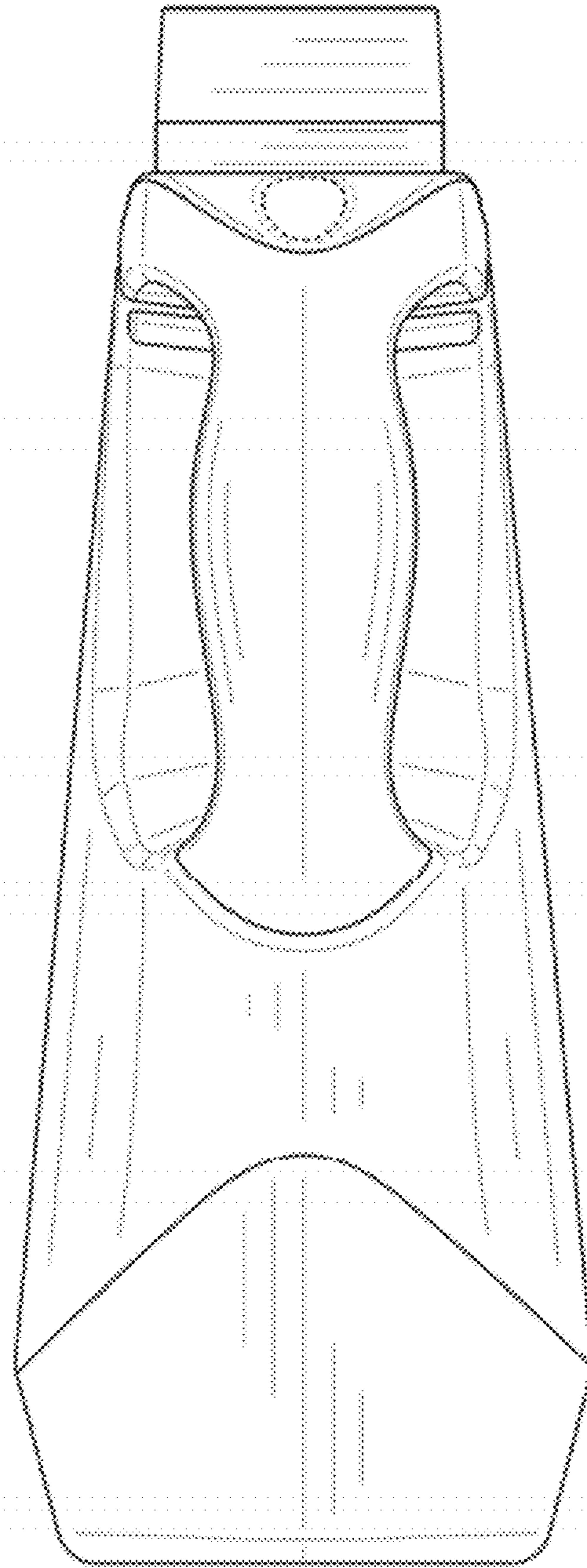


FIG. 5

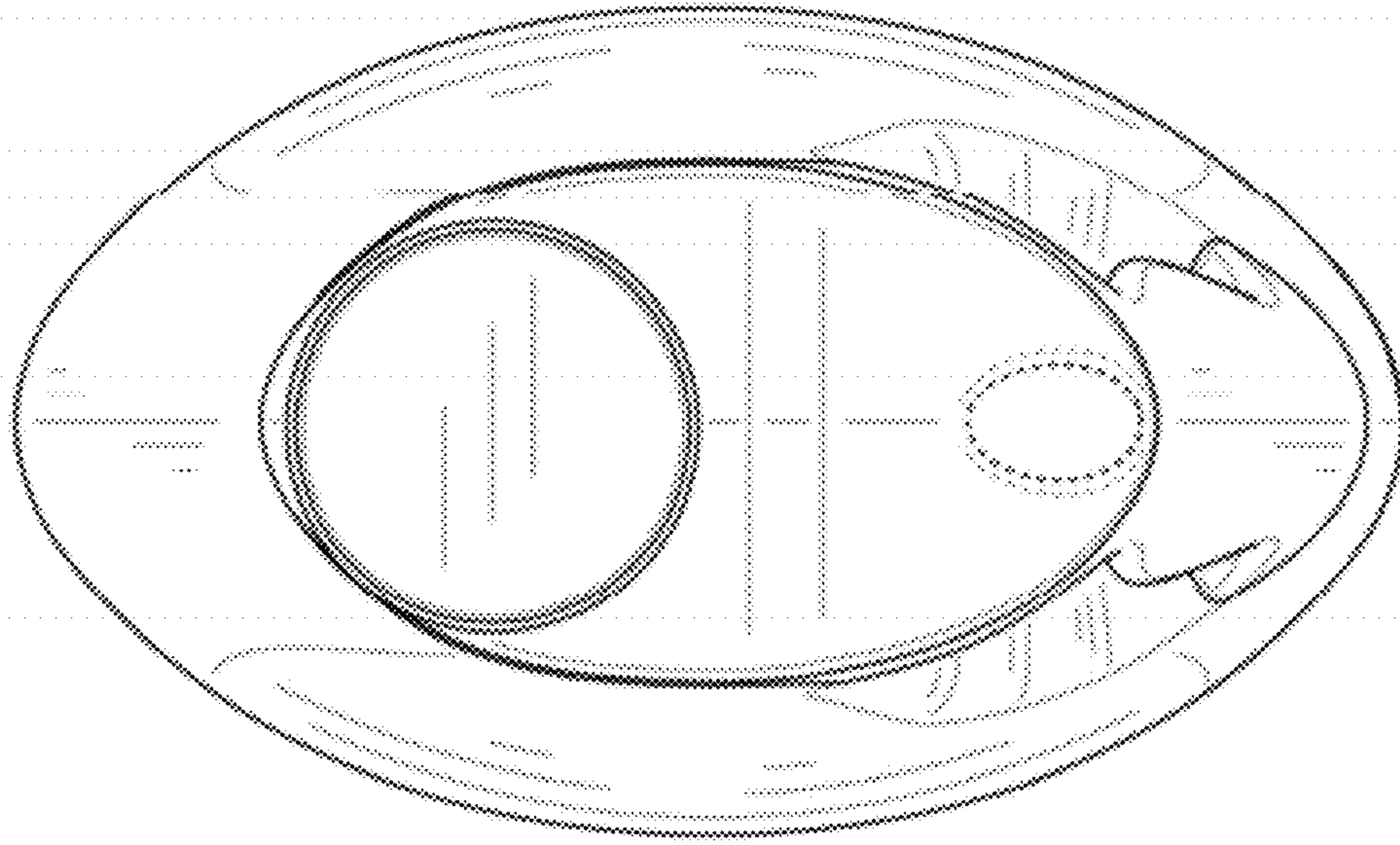


FIG. 6

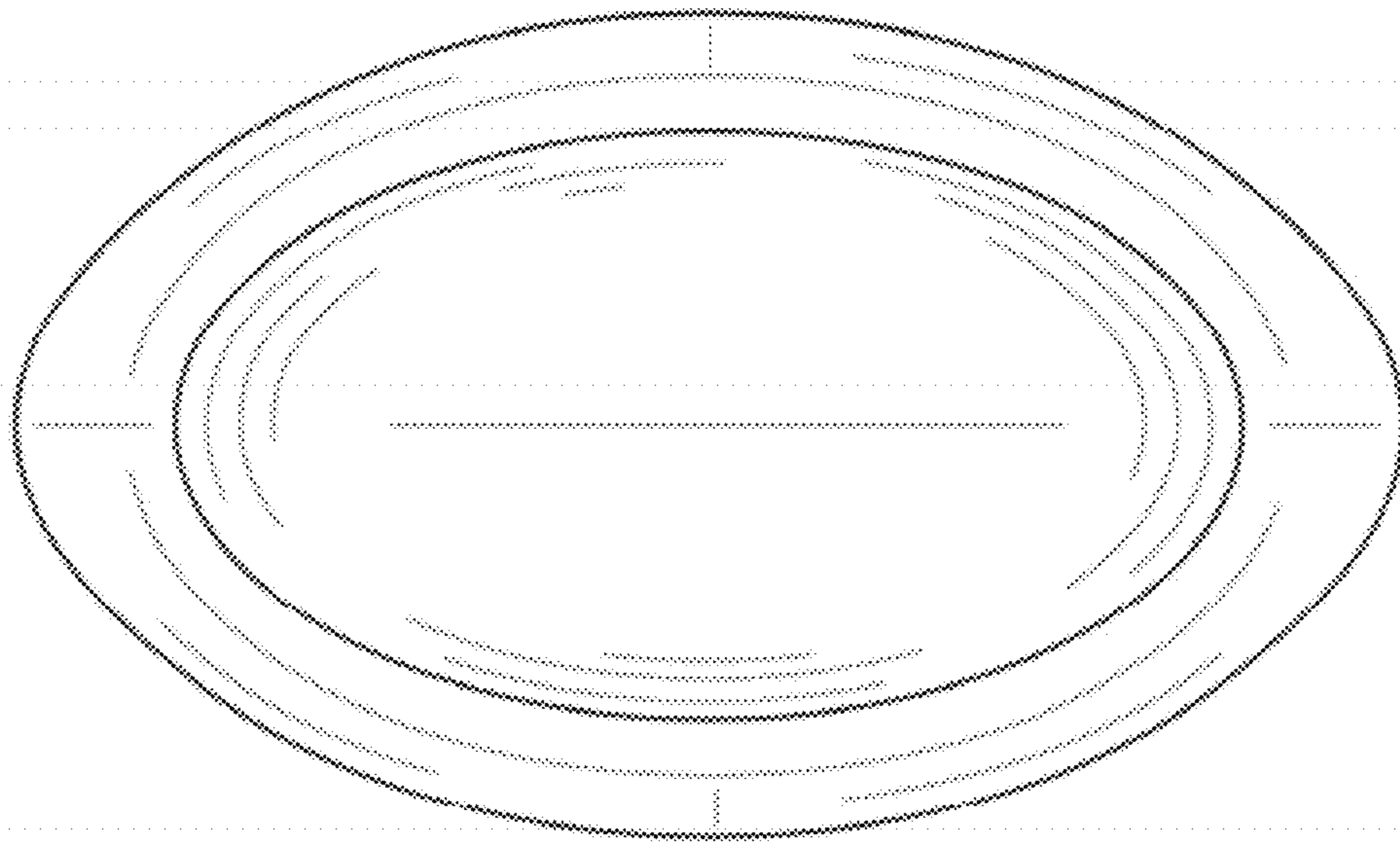


FIG. 7