



US00D663212S

(12) **United States Design Patent**
DiBiasio et al.

(10) **Patent No.:** **US D663,212 S**
(45) **Date of Patent:** **** Jul. 10, 2012**

(54) **CONTAINER WITH SIDEWALL RECESS**

(75) Inventors: **Sergio DiBiasio**, Etobicoke (CA); **Pietro Caruso**, Mono (CA)

(73) Assignee: **Silgan Plastics Corporation**,
Chesterfield, MO (US)

(**) Term: **14 Years**

(21) Appl. No.: **29/390,642**

(22) Filed: **Apr. 27, 2011**

(51) **LOC (9) Cl.** **09-01**

(52) **U.S. Cl.** **D9/528**

(58) **Field of Classification Search** D9/516,
D9/523, 524, 526-528, 530, 531, 541, 559,
D9/560, 564, 572; D23/211.1, 211.2; 215/381-385;
220/660, 669, 679, 752

See application file for complete search history.

(56) **References Cited**

U.S. PATENT DOCUMENTS

D253,750 S	*	12/1979	Uyeda	D9/524
D363,019 S	*	10/1995	Arnold et al.	D9/742
D382,204 S	*	8/1997	Beaver	D9/523
D386,240 S	*	11/1997	Howseman, Jr.	D23/202
D427,912 S	*	7/2000	Johnson et al.	D9/528
D451,397 S	*	12/2001	Gerhart et al.	D9/531
D500,680 S	*	1/2005	Angeletta	D9/528
D573,885 S	*	7/2008	Considine et al.	D9/528
D636,056 S	*	4/2011	Pritchard	D23/211.1
D643,292 S	*	8/2011	Cordero et al.	D9/516
D648,632 S	*	11/2011	Ferguson et al.	D9/528

OTHER PUBLICATIONS

2.5 Gal Vented F-Style with Co-Pack Pocket engineering drawing believed to be developed by B-Way dated Oct. 11, 2009, 1 page.

* cited by examiner

Primary Examiner — Stella Reid

Assistant Examiner — Keli L Hill

(74) *Attorney, Agent, or Firm* — Reinhart Boerner Van Deuren s.c.

(57) **CLAIM**

We claim the ornamental design for a container with sidewall recess, as shown and described.

DESCRIPTION

FIG. 1 is a top perspective view of a container with sidewall recess, showing our new design;

FIG. 2 is a right side view of the claimed design of FIG. 1;

FIG. 3 is a left side view of the claimed design of FIG. 1;

FIG. 4 is a front view of the claimed design of FIG. 1;

FIG. 5 is a rear view of the claimed design of FIG. 1;

FIG. 6 is a top plan view of the claimed design of FIG. 1;

FIG. 7 is a bottom plan view of the claimed design of FIG. 1;

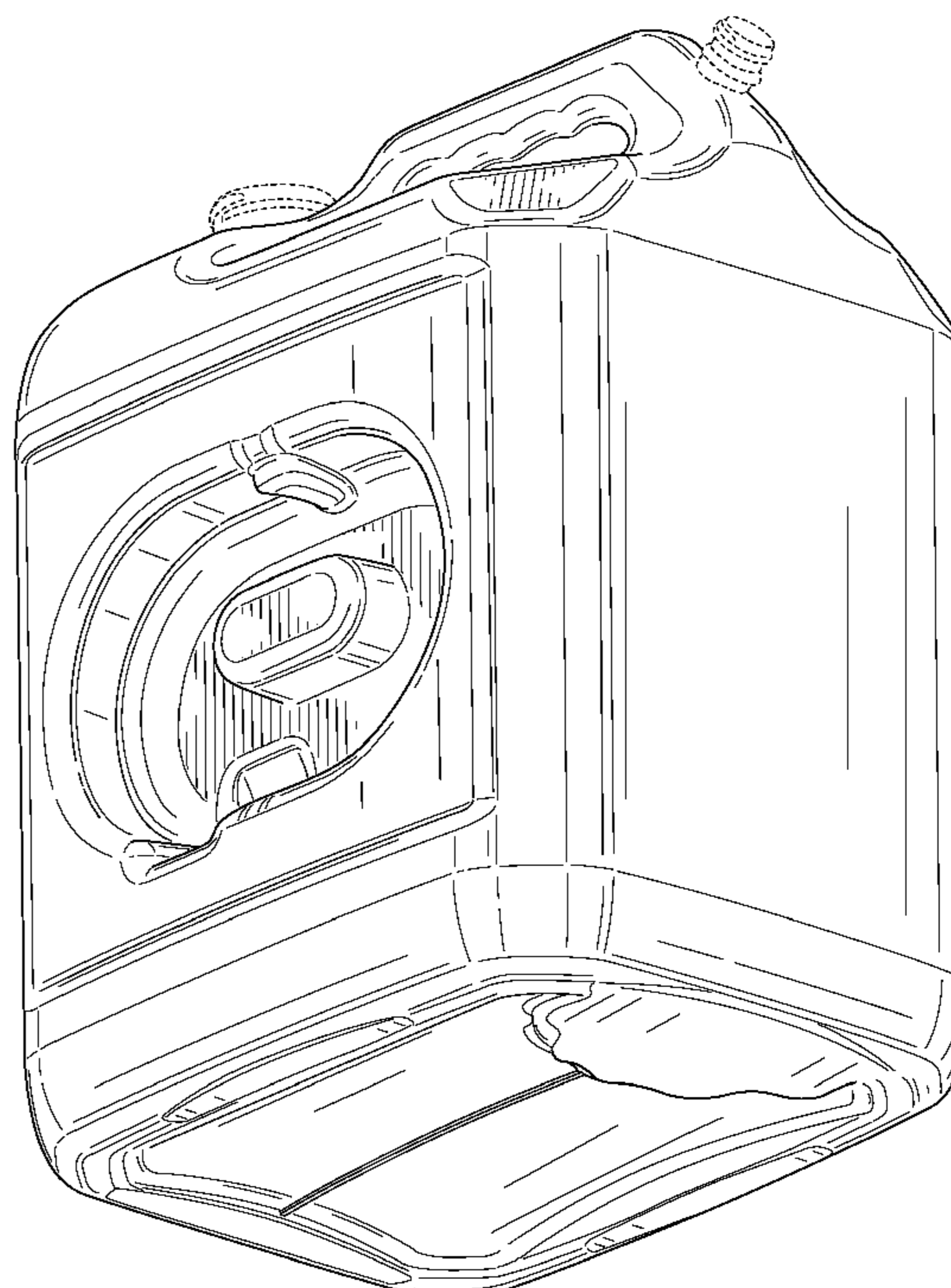
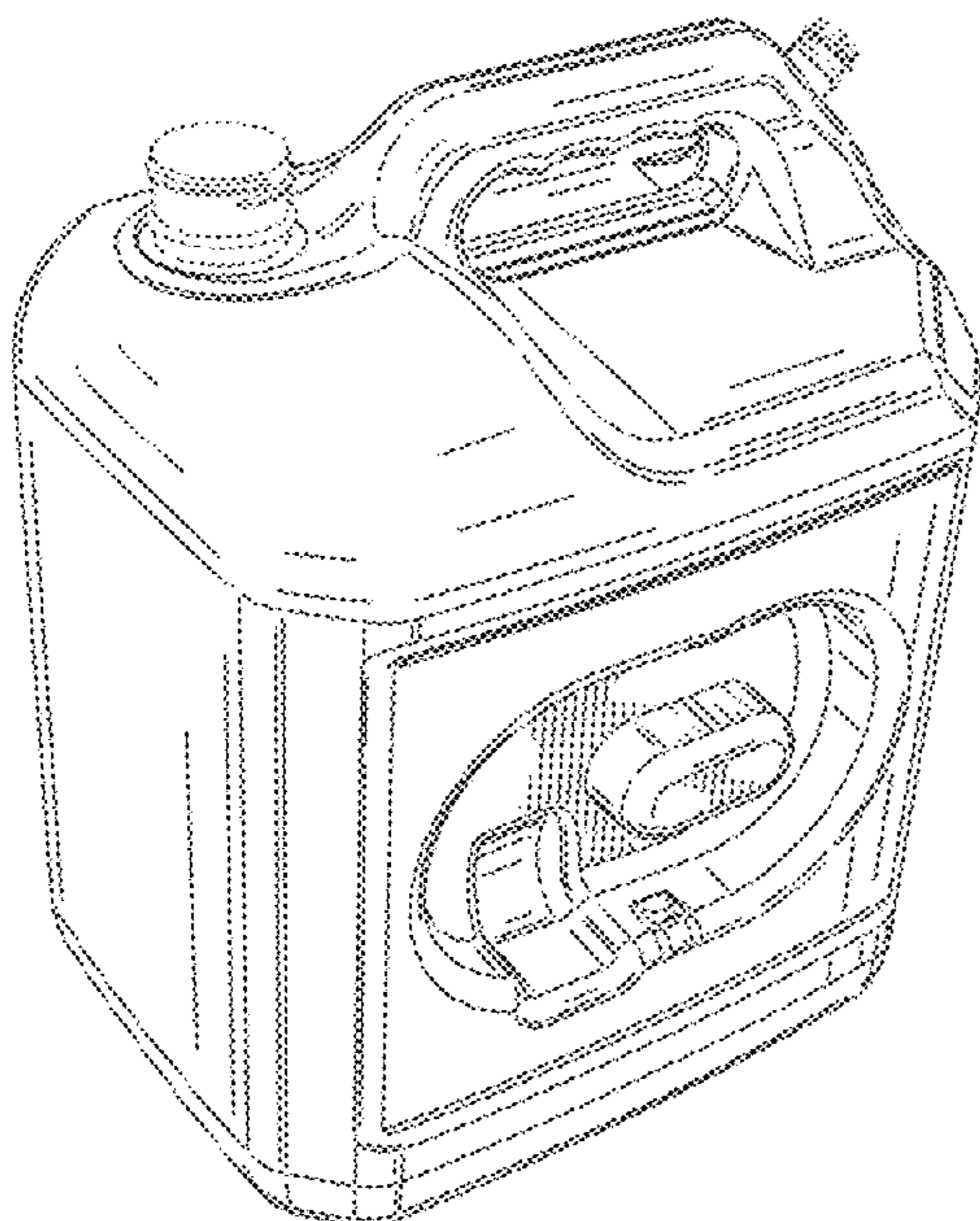
FIG. 8 is a top perspective view of the claimed design of FIG. 1, showing a fluid tube in broken lines coupled to the container;

FIG. 9 is a bottom perspective view of the claimed design of FIG. 1; and,

FIG. 10 is second top perspective view of the claimed design of FIG. 1.

The broken lines shown are included for the purpose of illustrating the unclaimed portions of the container and form no part of the claim.

1 Claim, 10 Drawing Sheets



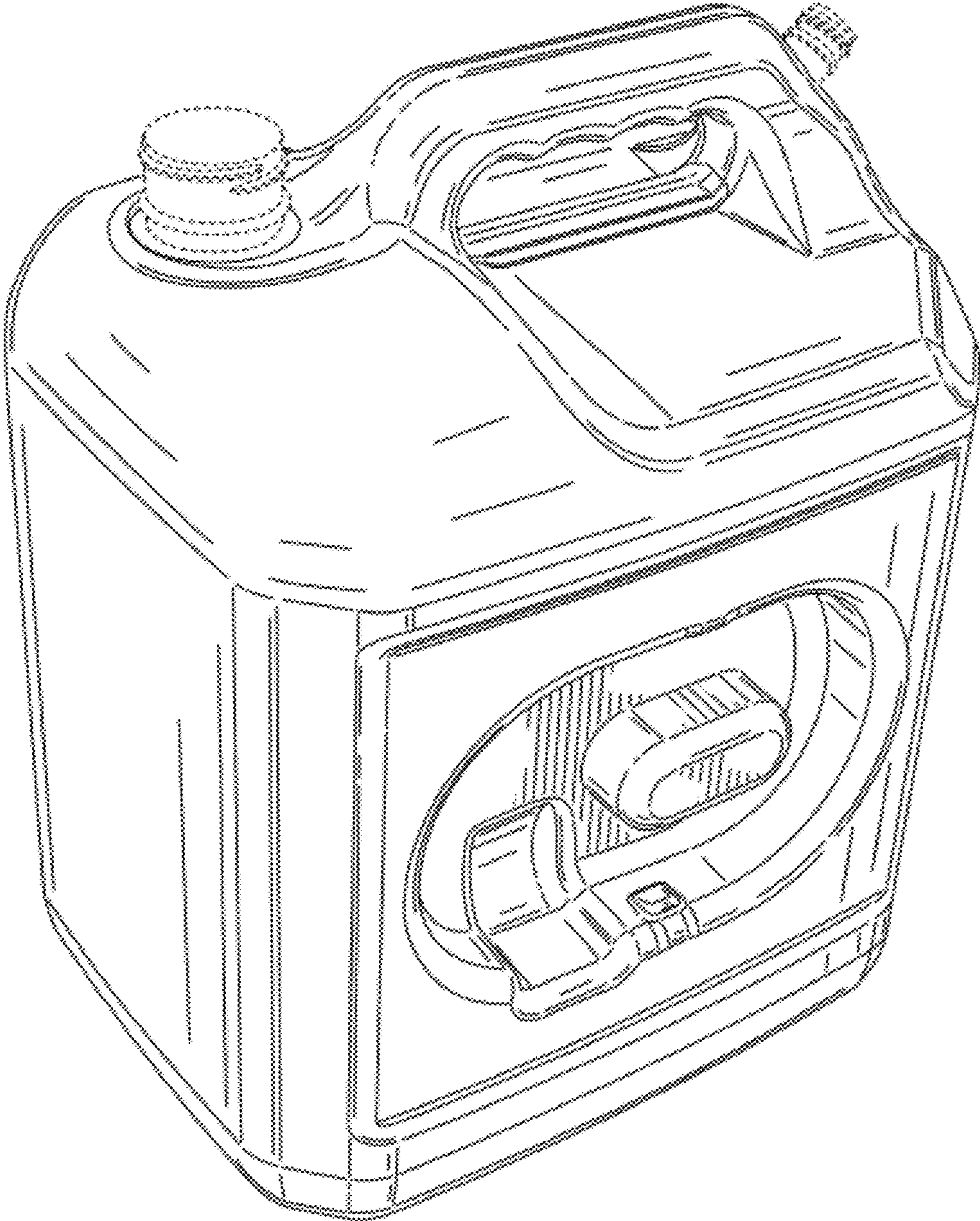


FIG. 1

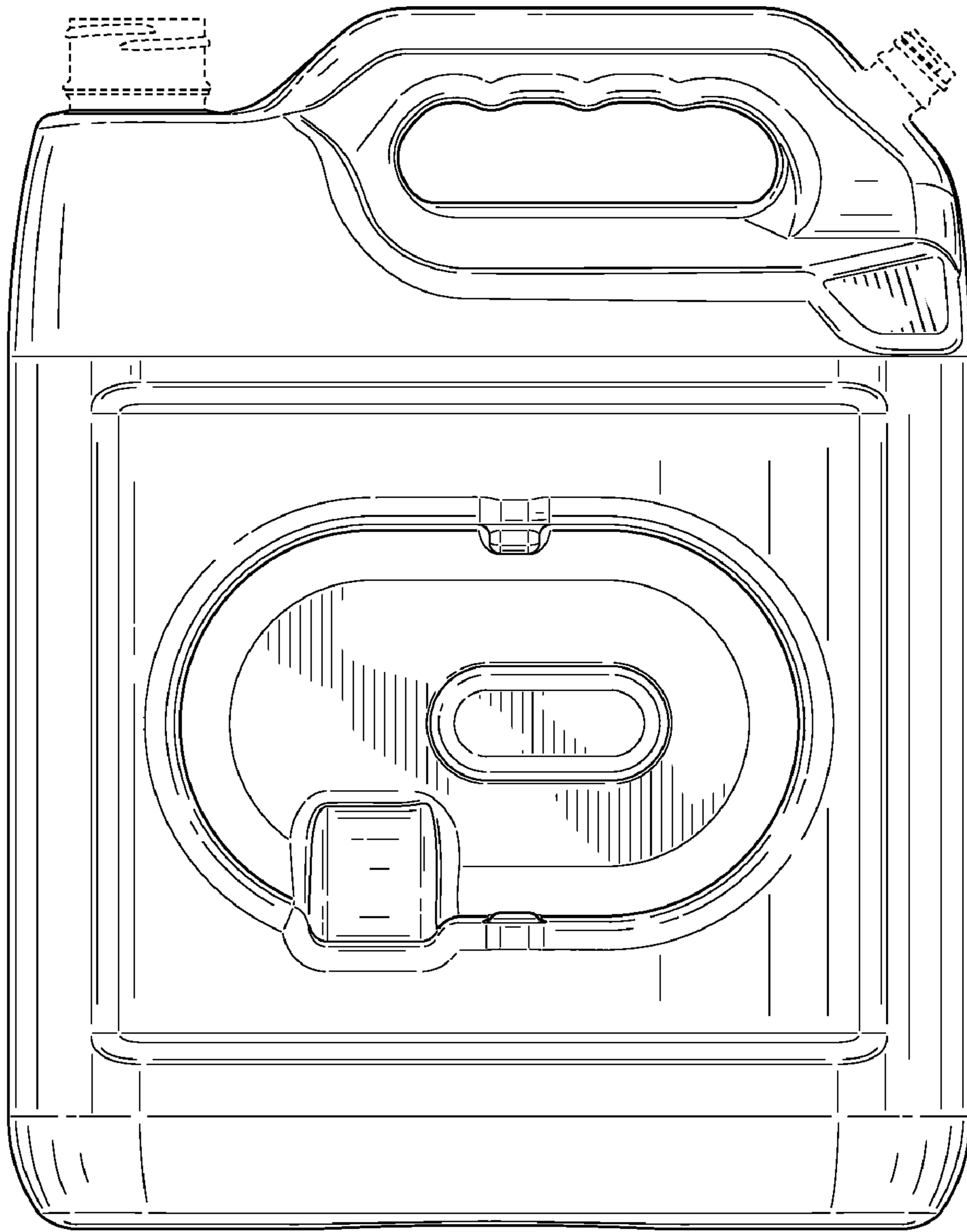


FIG. 2

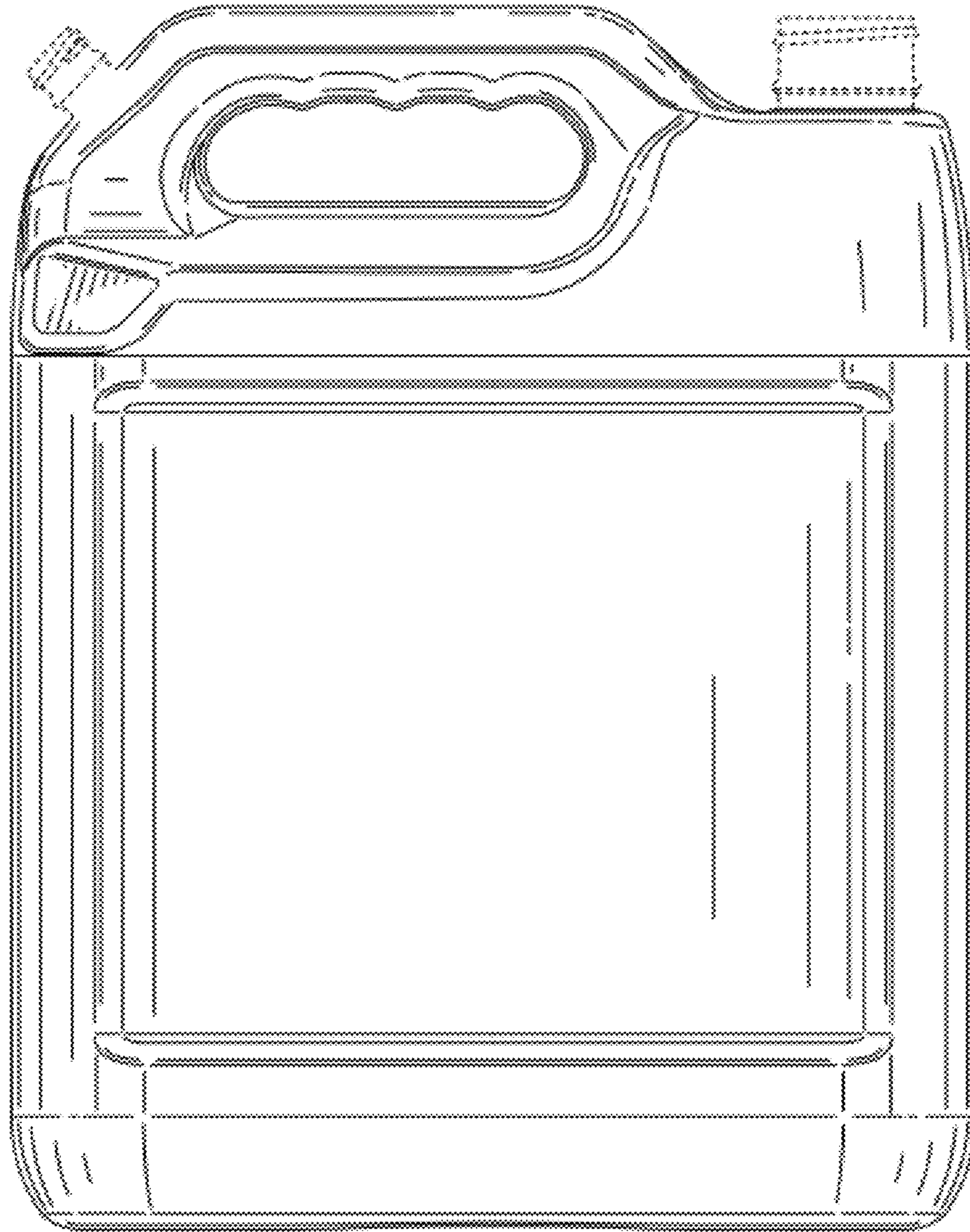


FIG. 3

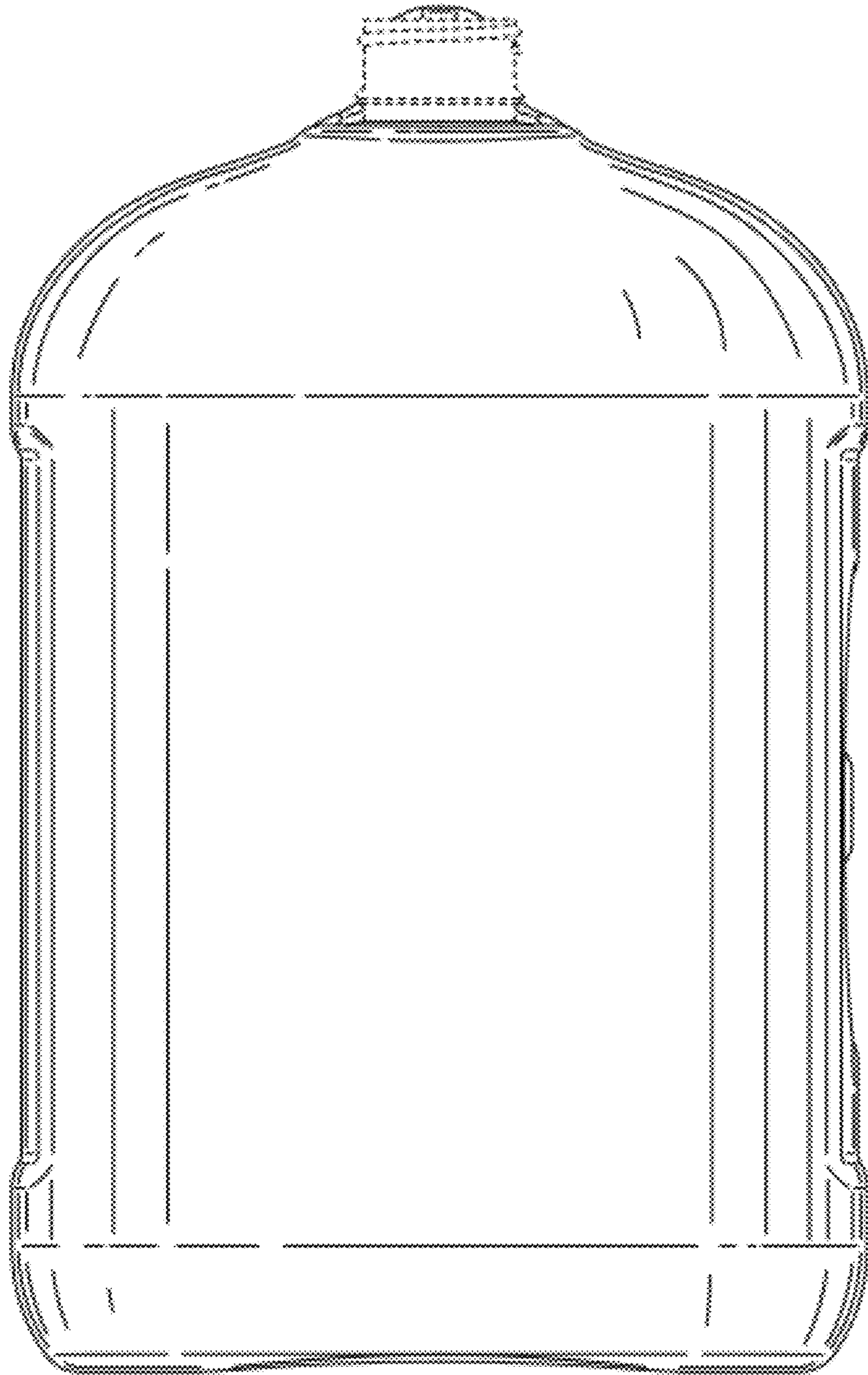


FIG. 4

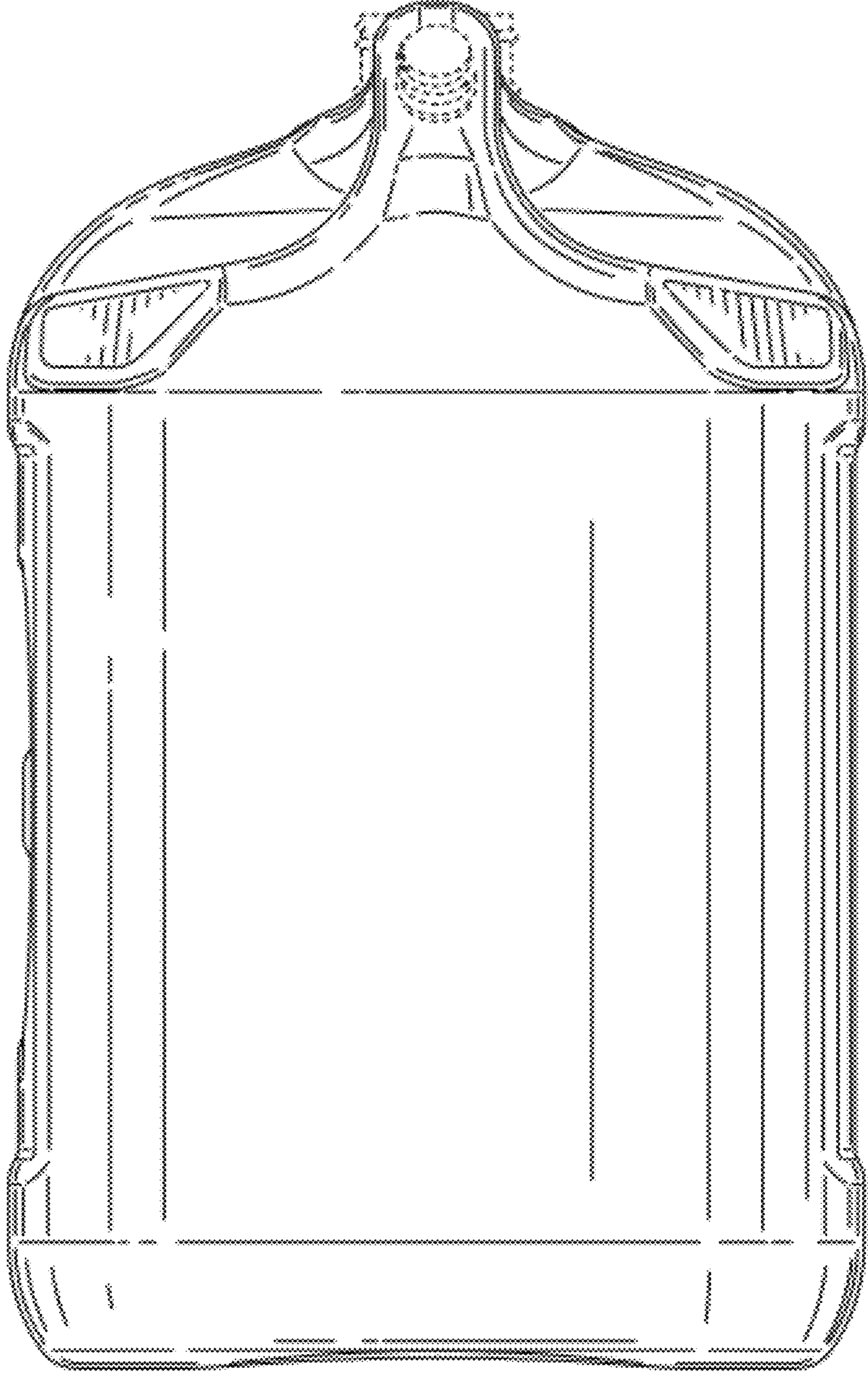


FIG. 5

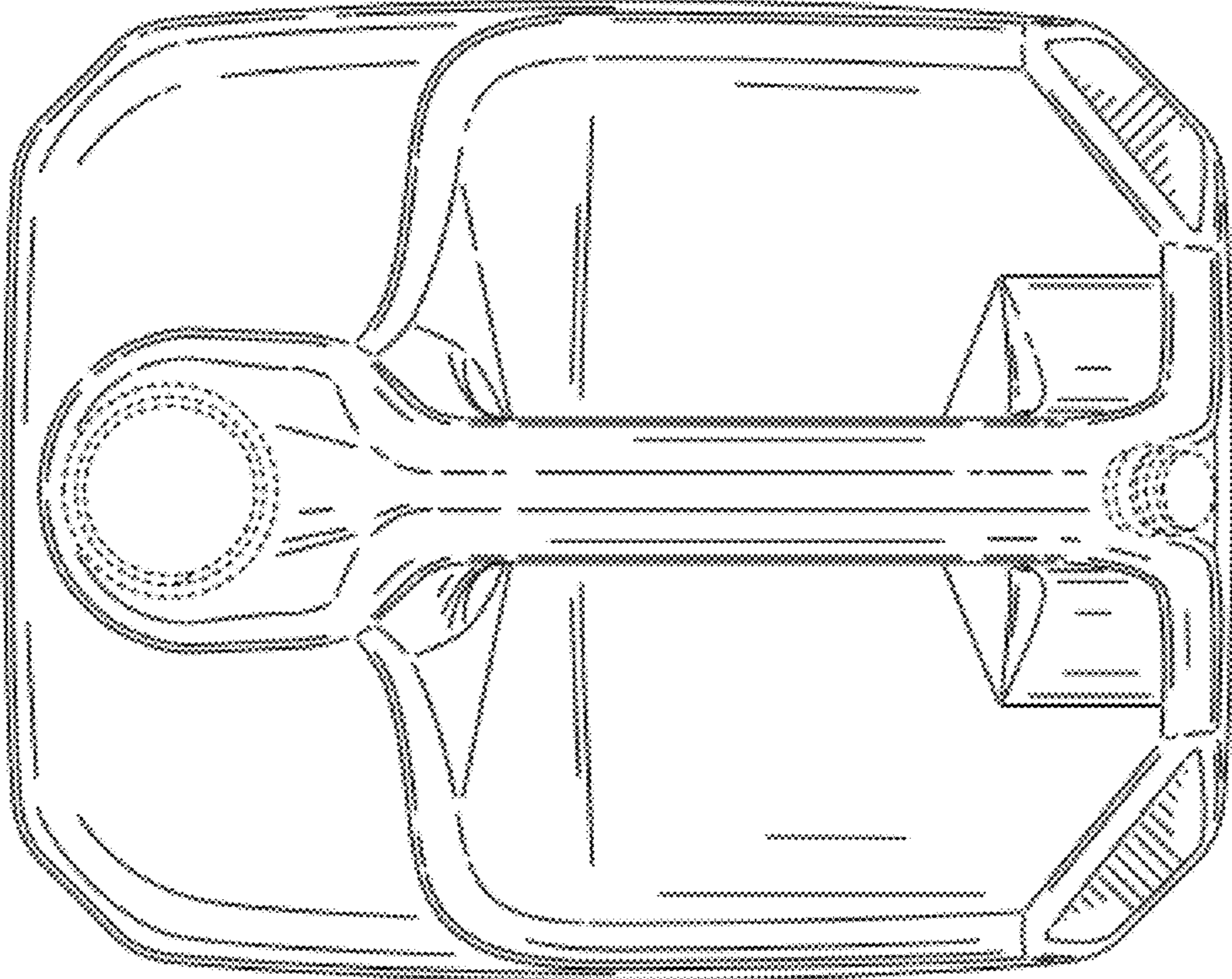


FIG. 6

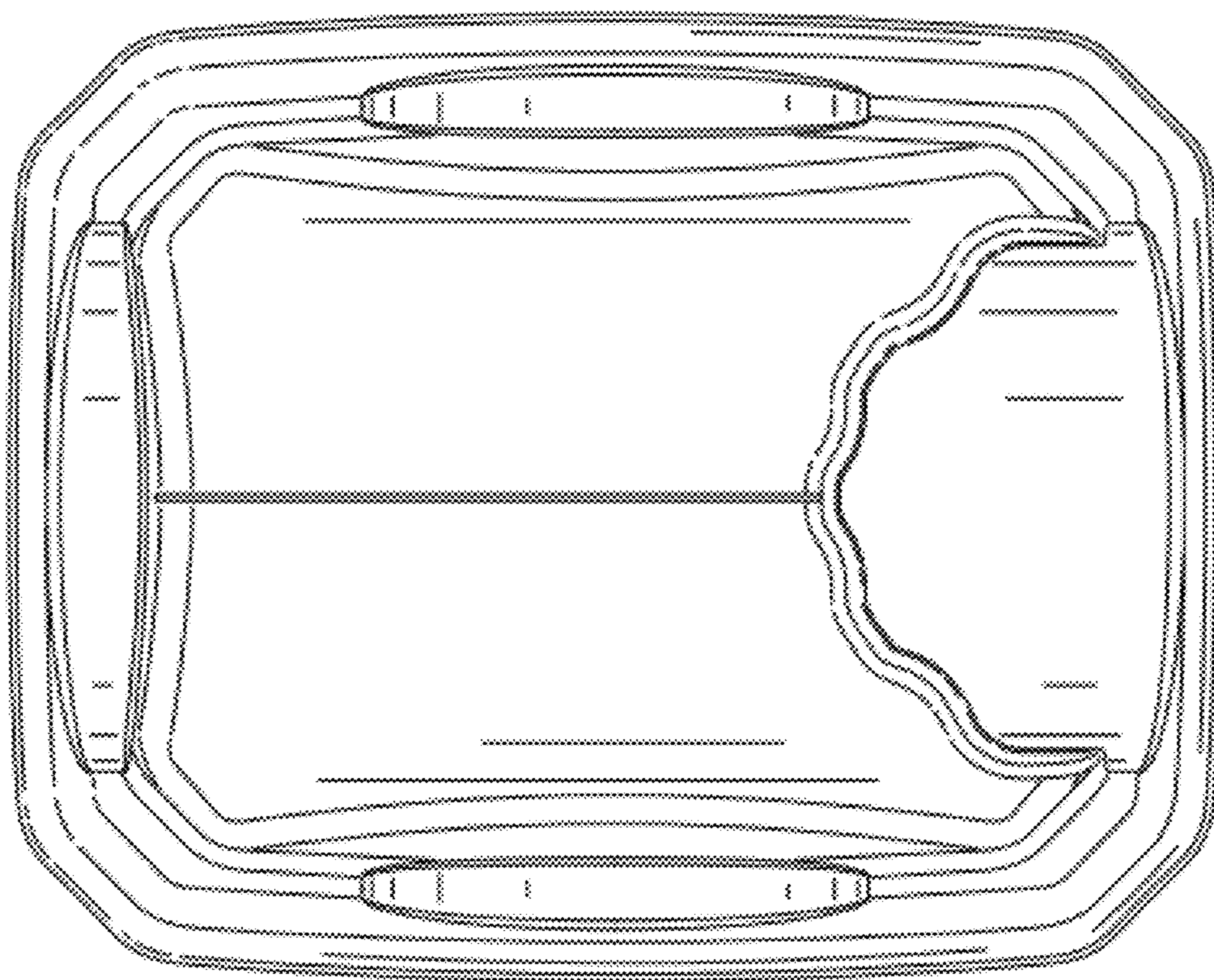


FIG. 7

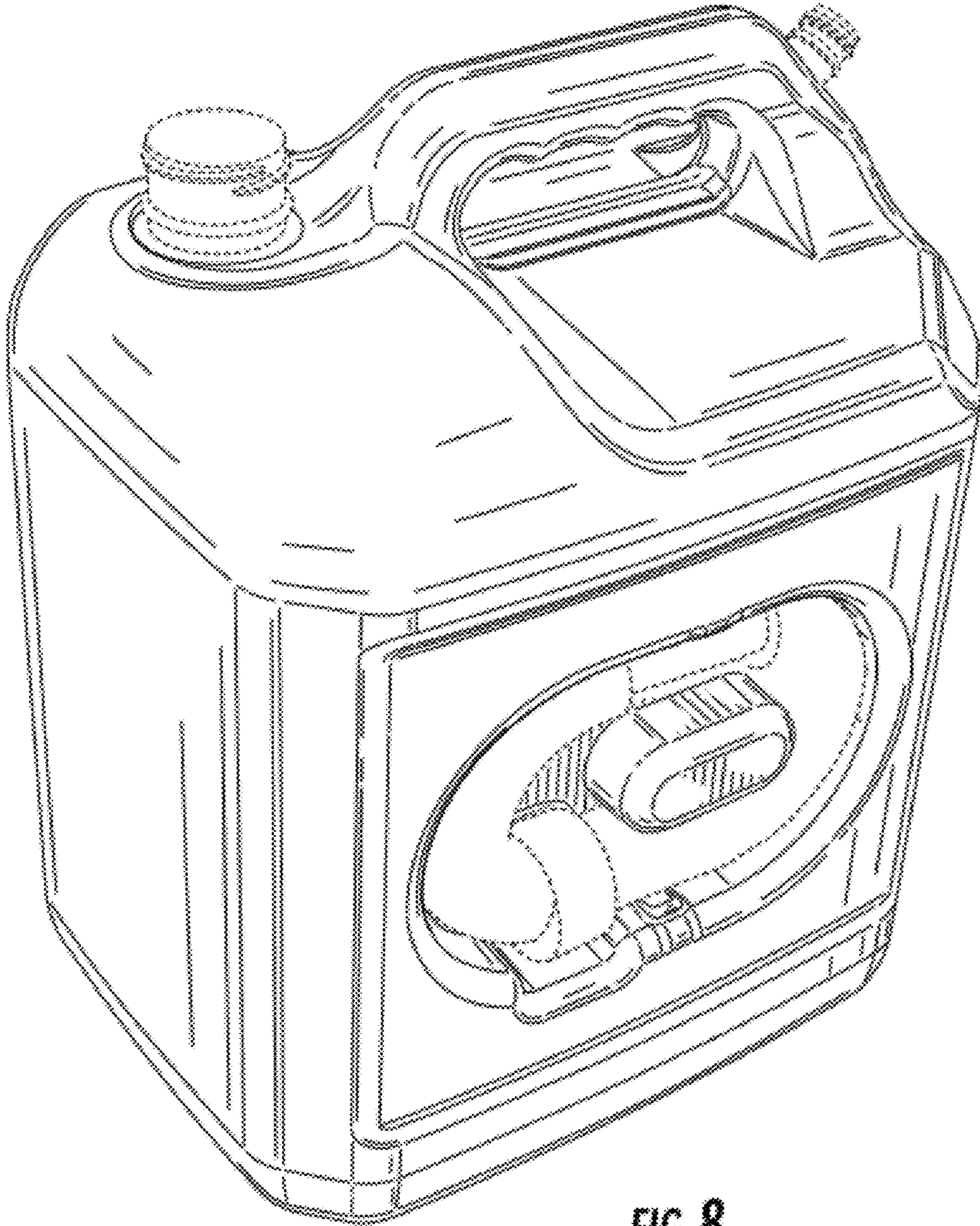


FIG. 8

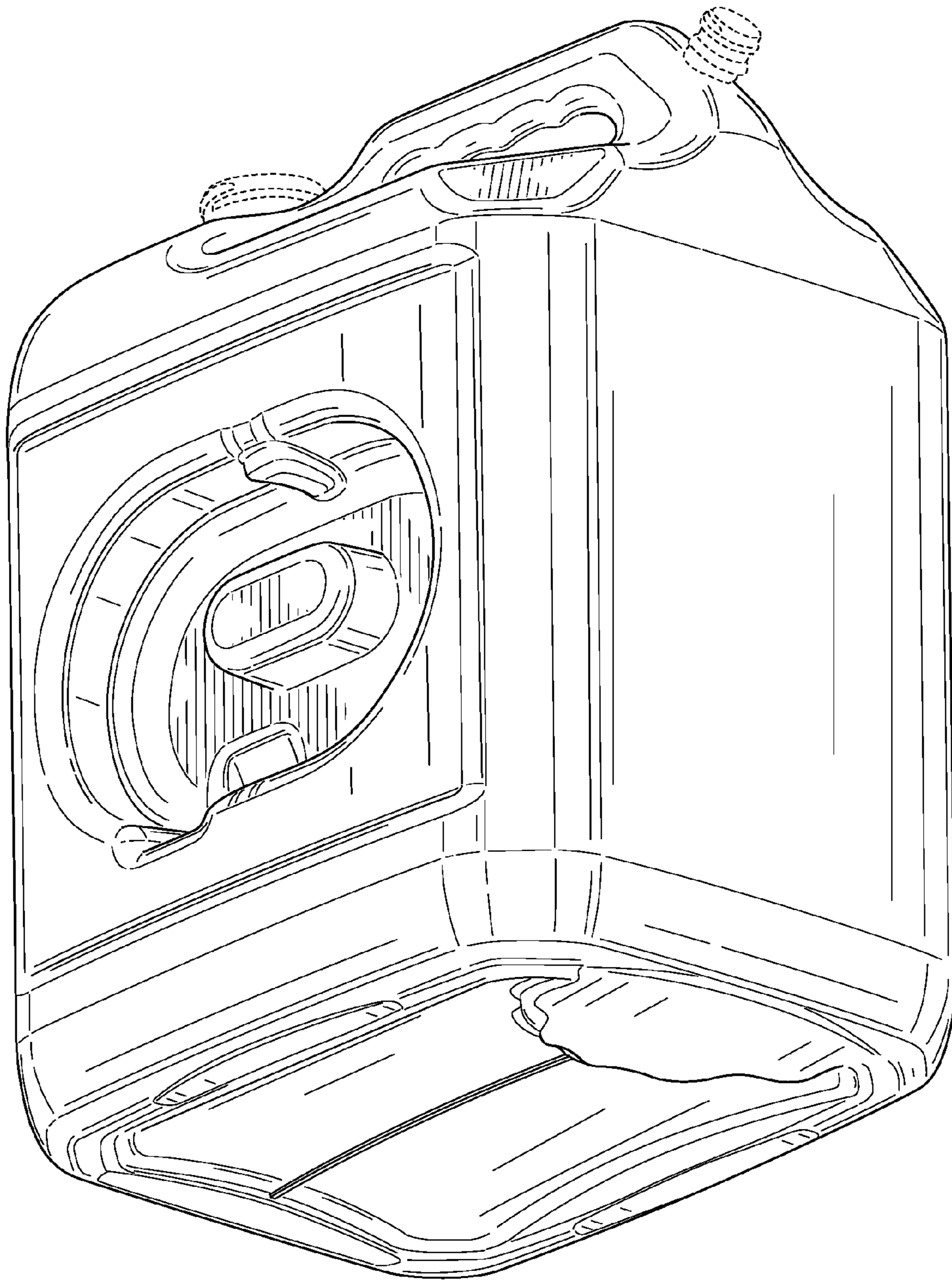


FIG. 9

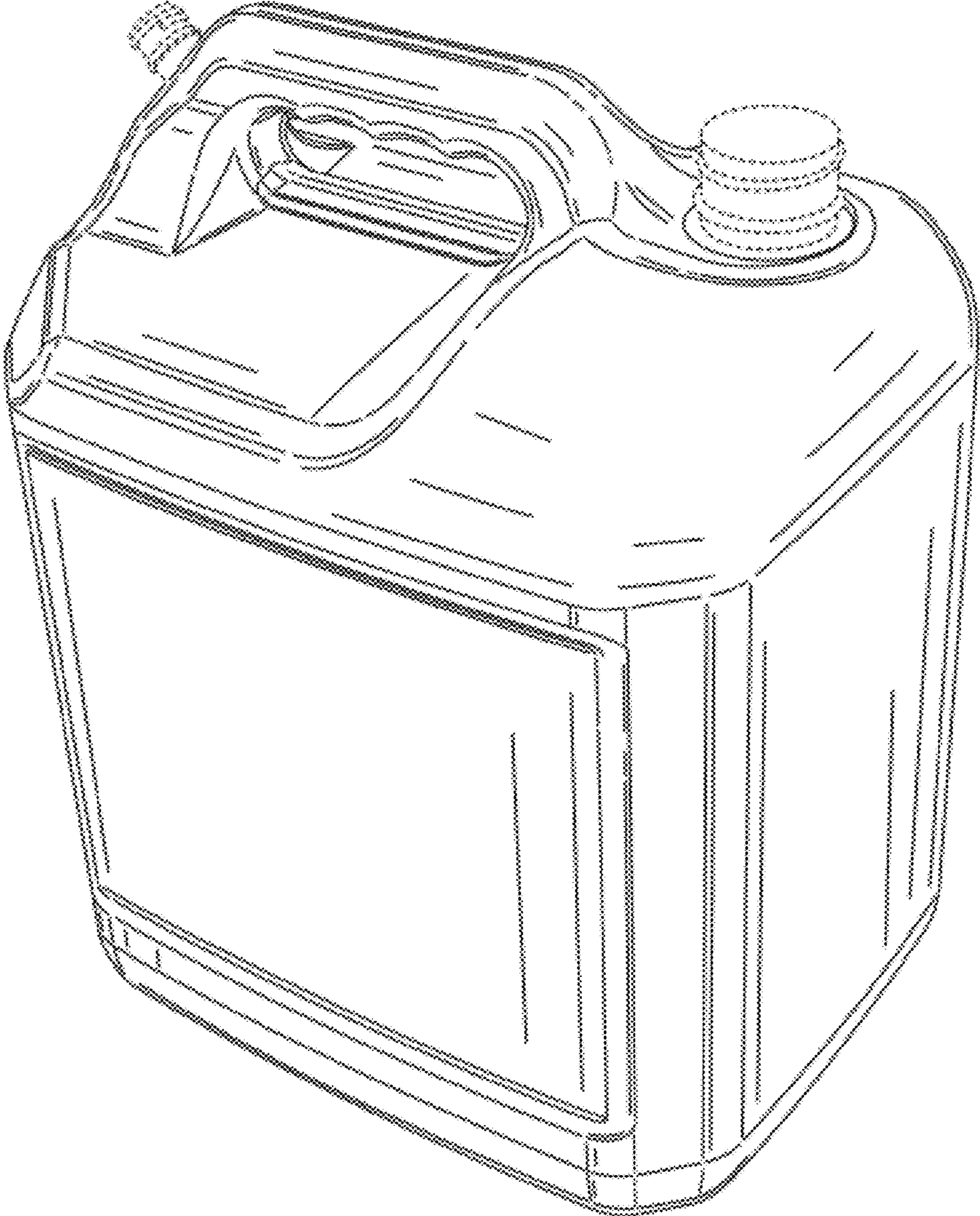


FIG. 10