

US00D663211S

(12) **United States Design Patent**  
**Cordero et al.**

(10) **Patent No.:** **US D663,211 S**  
(45) **Date of Patent:** **\*\* Jul. 10, 2012**

- (54) **CONTAINER RECESS**
- (75) Inventors: **Jeffrey Cordero**, Rancho Santa Margarita, CA (US); **William McNeal, Jr.**, Ladera Ranch, CA (US); **Joseph Abbott**, Aliso Viejo, CA (US)
- (73) Assignee: **Tri-Pack Enterprises, Inc.**, Escondido, CA (US)
- (\*\*) Term: **14 Years**
- (21) Appl. No.: **29/399,460**
- (22) Filed: **Aug. 15, 2011**

**Related U.S. Application Data**

- (62) Division of application No. 29/342,784, filed on Sep. 1, 2009, now Pat. No. Des. 643,292.
- (51) **LOC (9) Cl.** ..... **09-01**
- (52) **U.S. Cl.** ..... **D9/516**
- (58) **Field of Classification Search** ..... D9/434, D9/500, 516, 530, 537-540, 545, 549, 551, D9/553, 571, 574, 575; 215/379, 381-385; 220/600, 604, 608, 609, 660, 669, 675  
See application file for complete search history.

(56) **References Cited**

**U.S. PATENT DOCUMENTS**

703,125	A *	6/1902	Emrich	215/46
1,240,072	A *	9/1917	Maiden	215/6
1,744,328	A *	1/1930	Morley	215/383
2,770,382	A *	11/1956	Ritter	215/42
3,212,663	A *	10/1965	Greenwell	215/42
D210,067	S *	2/1968	Abo	D9/529
D308,334	S *	6/1990	Gormley et al.	D9/549
D387,672	S *	12/1997	Biesecker	D9/540
D460,696	S *	7/2002	Goettner	D9/558
D462,270	S *	9/2002	Renz	D9/537

6,722,514	B2 *	4/2004	Renz	215/384
D514,380	S *	2/2006	Smith et al.	D7/396.2
D521,388	S *	5/2006	Andoh	D9/542
D521,389	S *	5/2006	Andoh	D9/542
D524,159	S *	7/2006	Mooney	D9/516
D538,659	S *	3/2007	Eaton et al.	D9/516
D563,788	S *	3/2008	Reimann et al.	D9/516
D573,027	S *	7/2008	Bertelli	D9/522
D580,766	S *	11/2008	Young et al.	D9/516
D588,918	S *	3/2009	Young et al.	D9/516
D595,140	S *	6/2009	Reimann et al.	D9/540
D595,580	S *	7/2009	Cordero et al.	D9/516
D596,037	S *	7/2009	Slubski	D9/537
D602,369	S *	10/2009	Potts et al.	D9/547
D605,949	S *	12/2009	Potts et al.	D9/547
D608,644	S *	1/2010	Cordero et al.	D9/516
D633,794	S *	3/2011	Cresswell et al.	D9/500
D633,795	S *	3/2011	Cresswell et al.	D9/500
D633,797	S *	3/2011	Cresswell et al.	D9/500
D633,798	S *	3/2011	Cresswell et al.	D9/500
D643,292	S *	8/2011	Cordero et al.	D9/516

\* cited by examiner

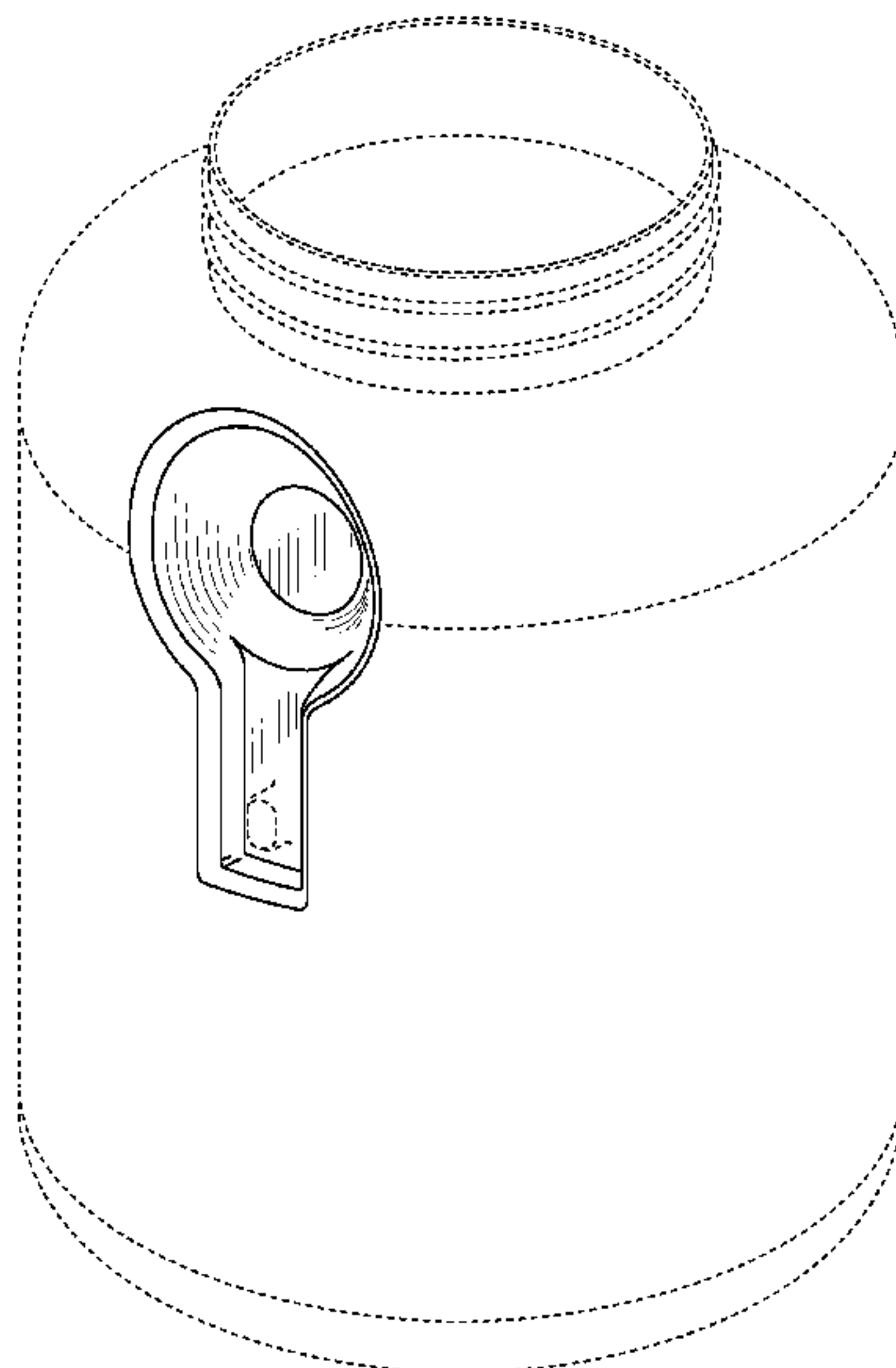
*Primary Examiner* — Elizabeth J Oswecki  
(74) *Attorney, Agent, or Firm* — Advantage IP Law Firm

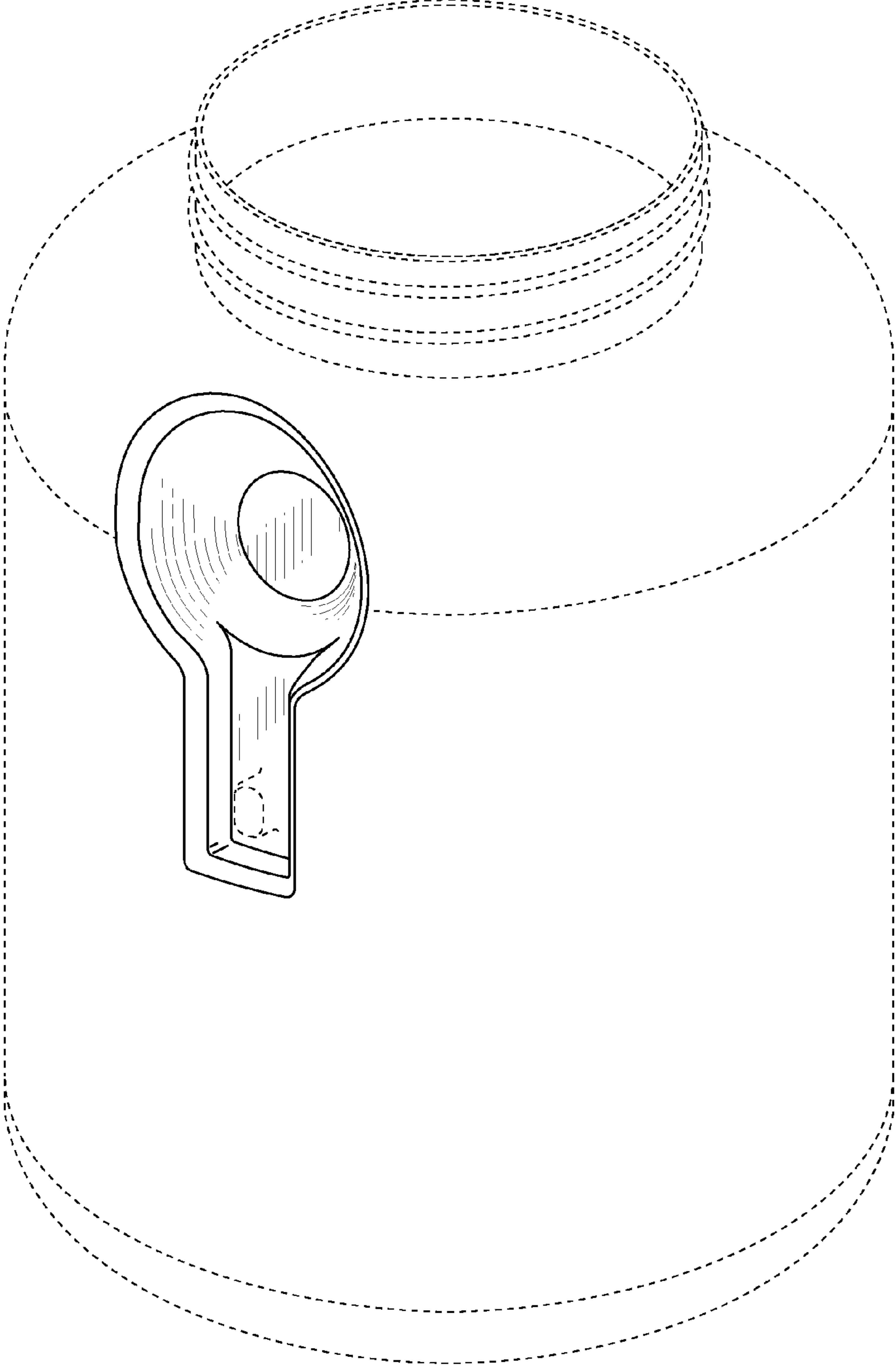
(57) **CLAIM**  
The ornamental design for a container recess, as shown and described.

**DESCRIPTION**

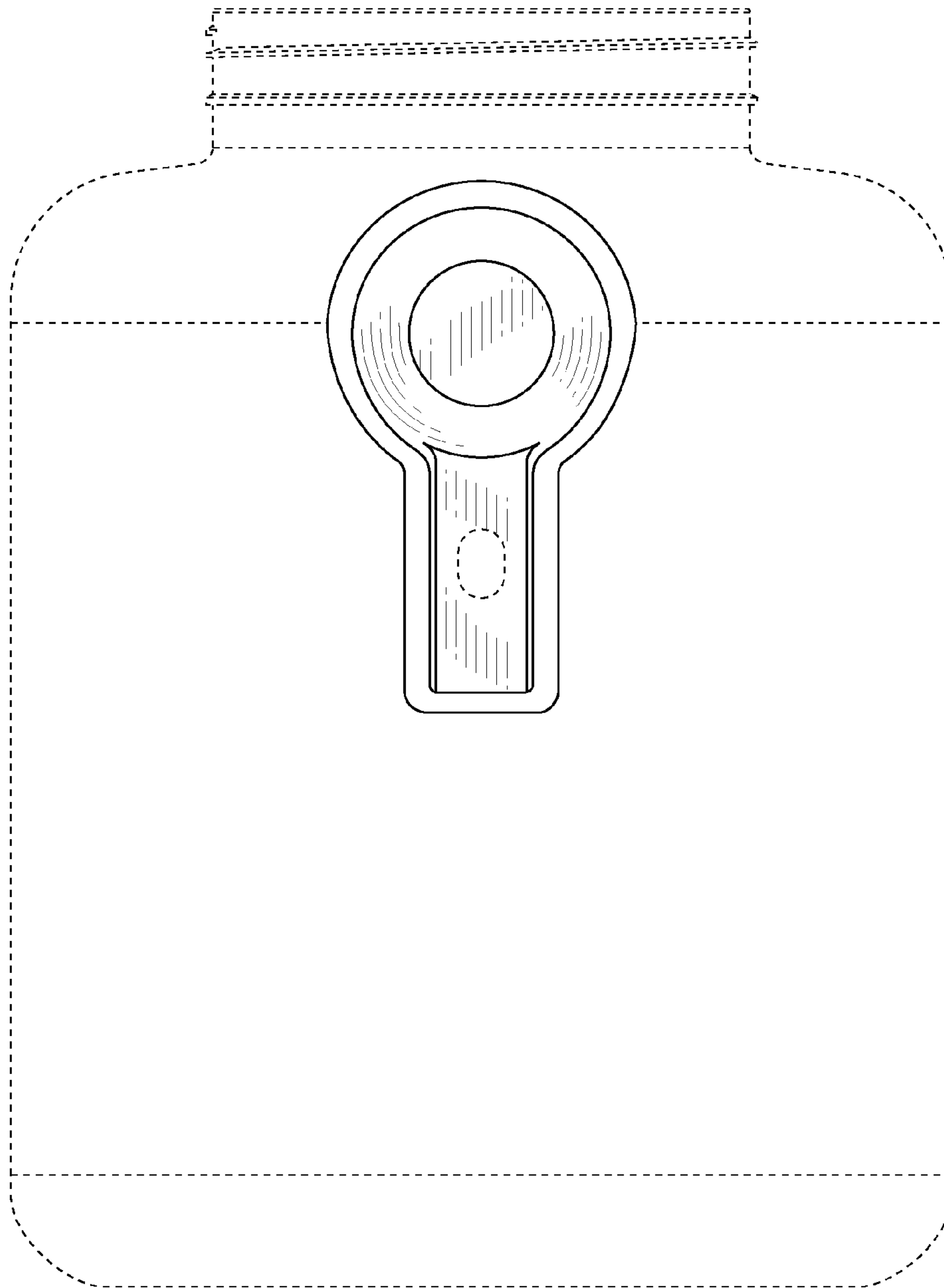
FIG. 1 is a right upper perspective view of a container recess illustrating our new design;  
FIG. 2 is a front view thereof;  
FIG. 3 is a right side view thereof, the left side and right side views being identical; and,  
FIG. 4 is a top view thereof.  
All dashed lines are for environmental purposes only and form no part of the claimed design.

**1 Claim, 4 Drawing Sheets**

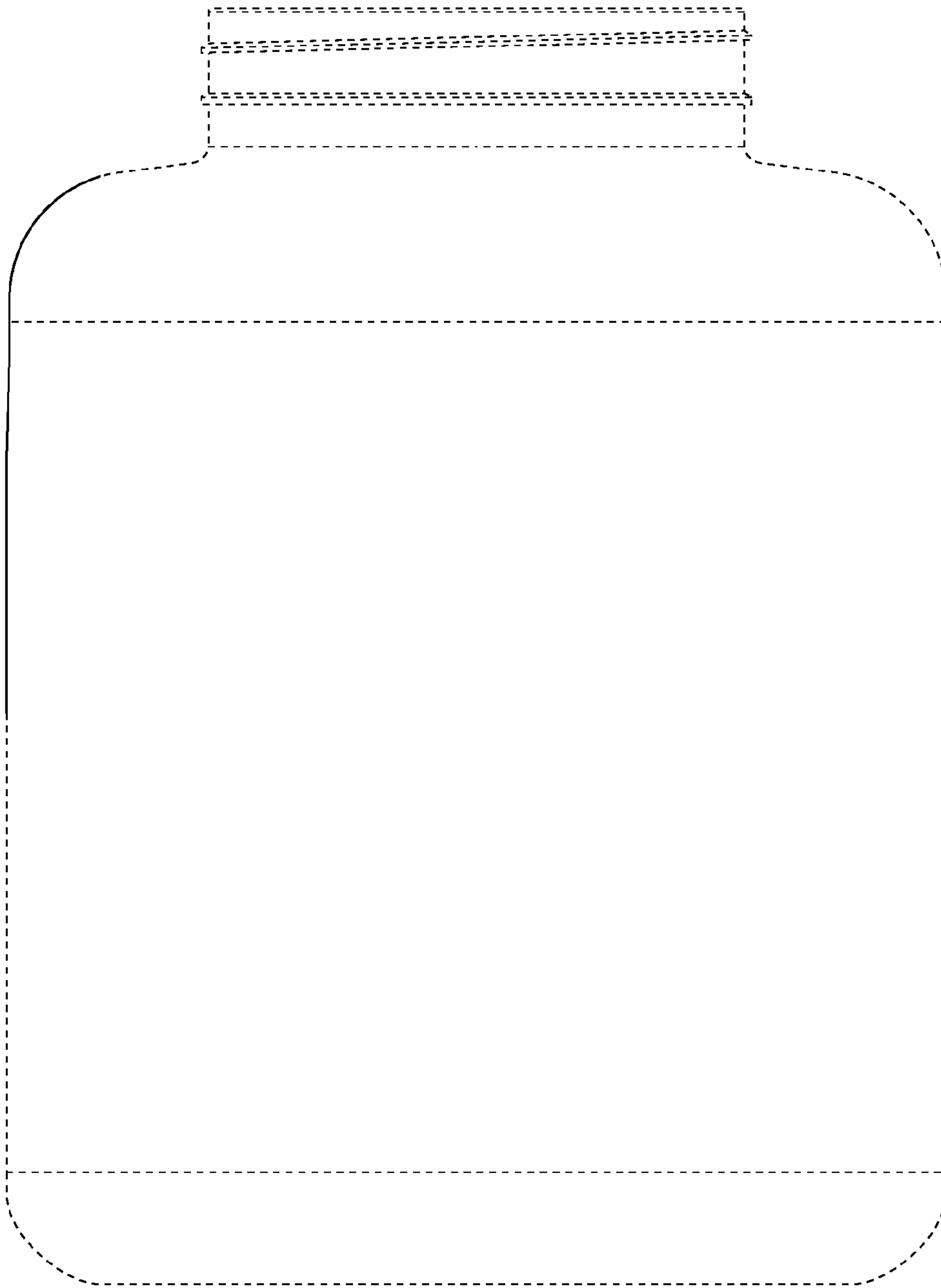




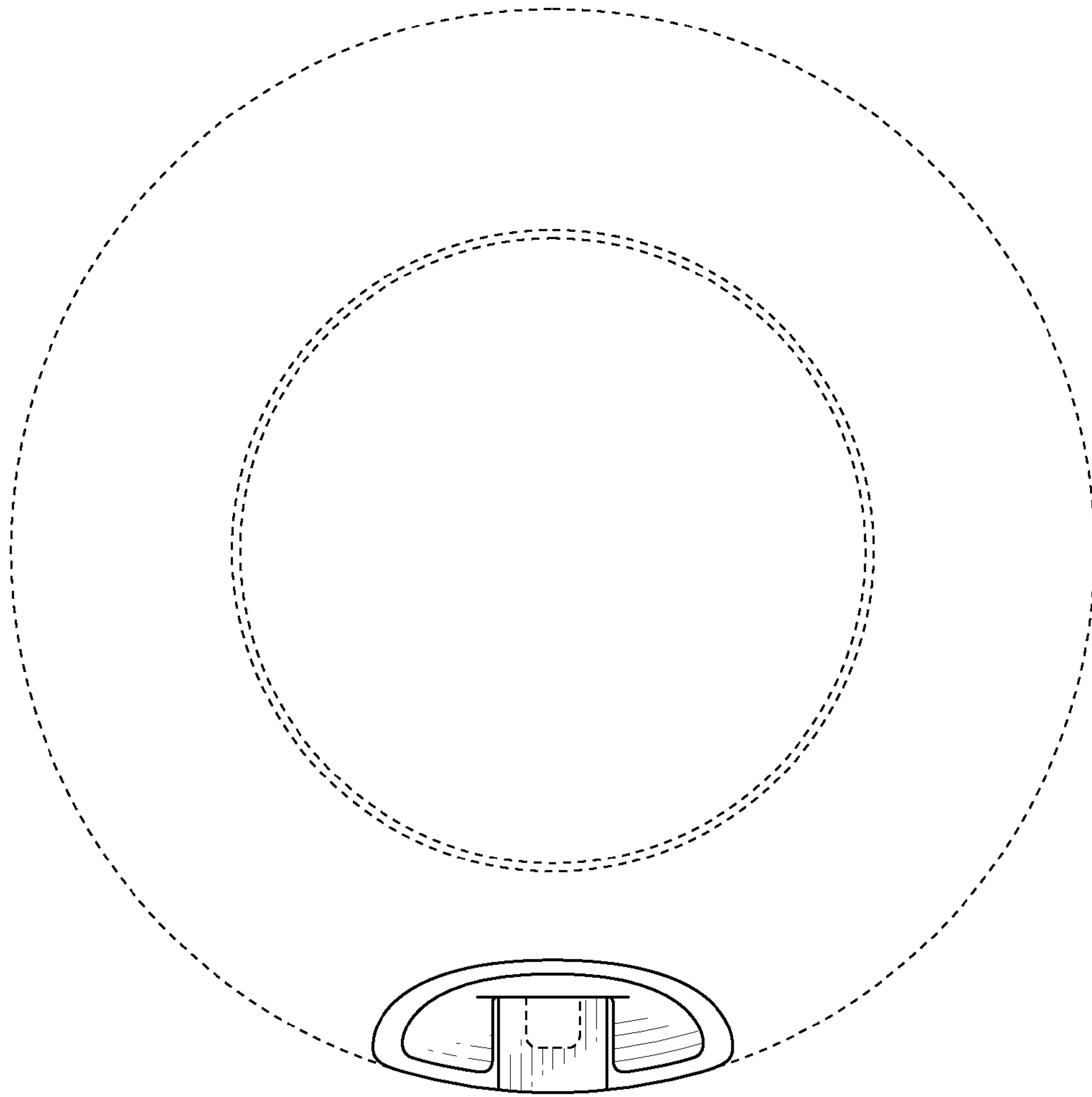
**FIG. 1**



**FIG. 2**



**FIG. 3**



**FIG. 4**