

US00D663209S

(12) **United States Design Patent**  
**Maas et al.**

(10) **Patent No.:** **US D663,209 S**  
(45) **Date of Patent:** **\*\* Jul. 10, 2012**

(54) **BOTTLE**

(56) **References Cited**

(75) Inventors: **David Maas**, Wheaton, IL (US); **Robert Kleckauskas**, St. Charles, IL (US); **John P. Coursey**, Chicago, IL (US); **Bruce Ronner**, Glencoe, IL (US); **Rita Sifuentes**, Melrose Park, IL (US); **Valorie Boldrey Langille**, Glen Ellyn, IL (US); **Charles A. Brewer**, St. Charles, IL (US); **Jeffrey M. Fish**, Perrysburg, OH (US)

U.S. PATENT DOCUMENTS

6,119,888	A	*	9/2000	Goto et al.	220/592.27
D508,185	S	*	8/2005	Gauss	D7/392.1
D543,454	S	*	5/2007	Leoncavallo et al.	D9/449
D543,791	S	*	6/2007	Goto et al.	D7/608
D544,311	S	*	6/2007	Goto et al.	D7/608
D586,184	S	*	2/2009	Miller et al.	D7/511
D599,664	S	*	9/2009	Fujinami et al.	D9/443
D614,440	S	*	4/2010	Cresswell et al.	D7/392.1
D618,508	S	*	6/2010	George et al.	D7/510
D620,355	S	*	7/2010	Nardini	D9/443
D620,754	S	*	8/2010	Duke	D7/510
D626,837	S	*	11/2010	Meyers et al.	D9/443
D626,838	S	*	11/2010	Meyers et al.	D9/443

(73) Assignee: **Arrow Plastic Manufacturing Co.**, Elk Grove, IL (US)

\* cited by examiner

(\*\*) Term: **14 Years**

*Primary Examiner* — Marianne Pandozzi

(21) Appl. No.: **29/393,267**

(74) *Attorney, Agent, or Firm* — Wood, Phillips, Katz, Clark & Mortimer

(22) Filed: **Jun. 1, 2011**

(57) **CLAIM**  
The ornamental design for a bottle, as shown and described.

(51) **LOC (9) Cl.** ..... **07-01**

(52) **U.S. Cl.** ..... **D9/510; D7/511**

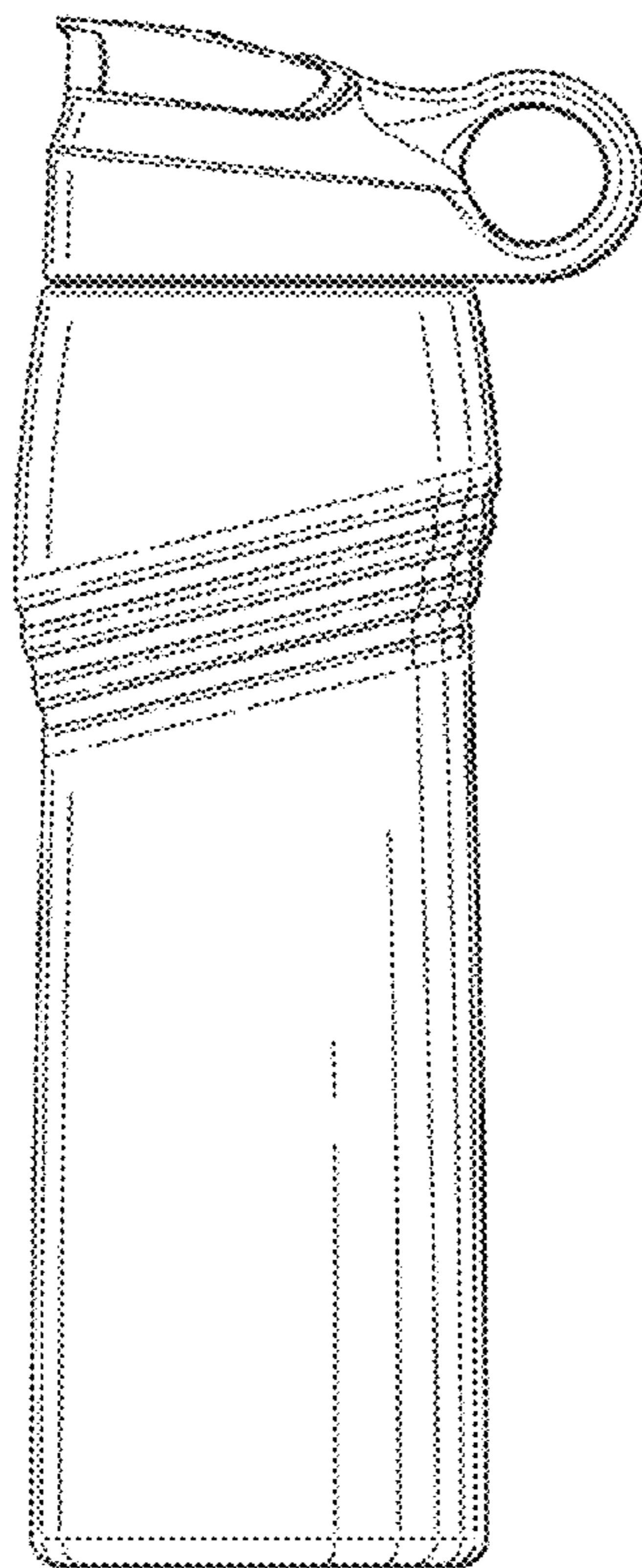
(58) **Field of Classification Search** ..... D7/512,  
D7/533, 536, 509, 523, 524, 529, 531, 532,  
D7/300.1, 608; 220/495.08, 772, 763, 592.16,  
220/592.17, 703; D9/431, 424

**DESCRIPTION**

FIG. 1 is a front-elevational view of the present invention; FIG. 2 is a side-elevational view thereof, with the opposite, side-elevational view being a mirror image thereof; FIG. 3 is a top plan view of thereof; FIG. 4 is an upper, perspective view thereof; and, FIG. 5 is a lower, perspective view thereof;

See application file for complete search history.

**1 Claim, 5 Drawing Sheets**



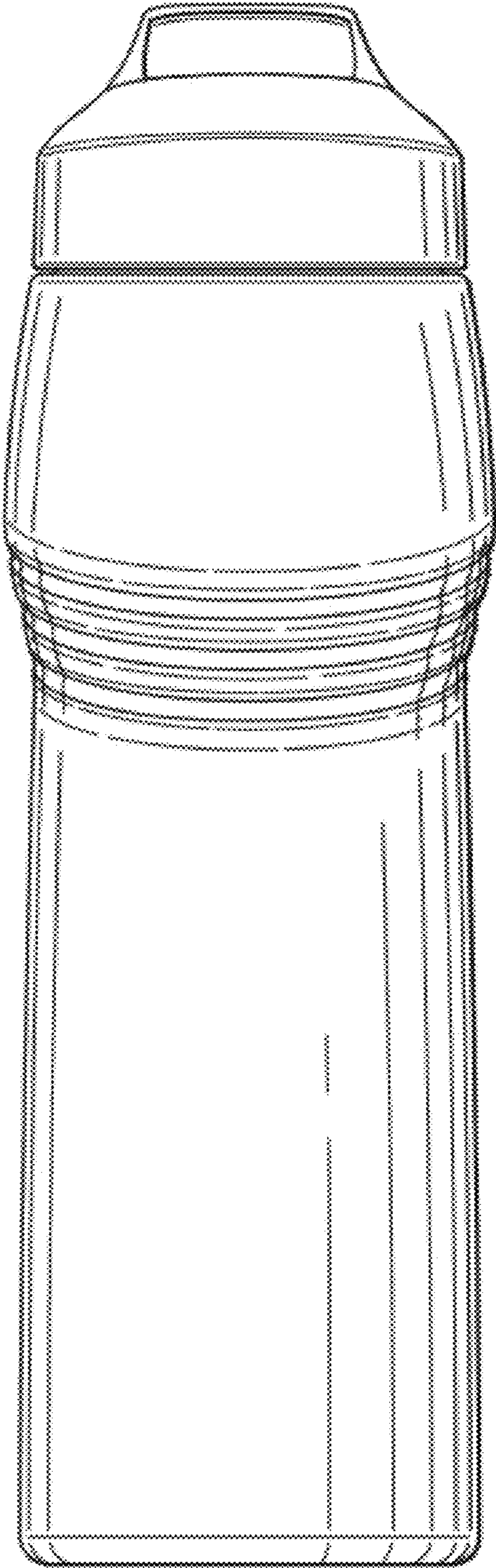


FIGURE 1

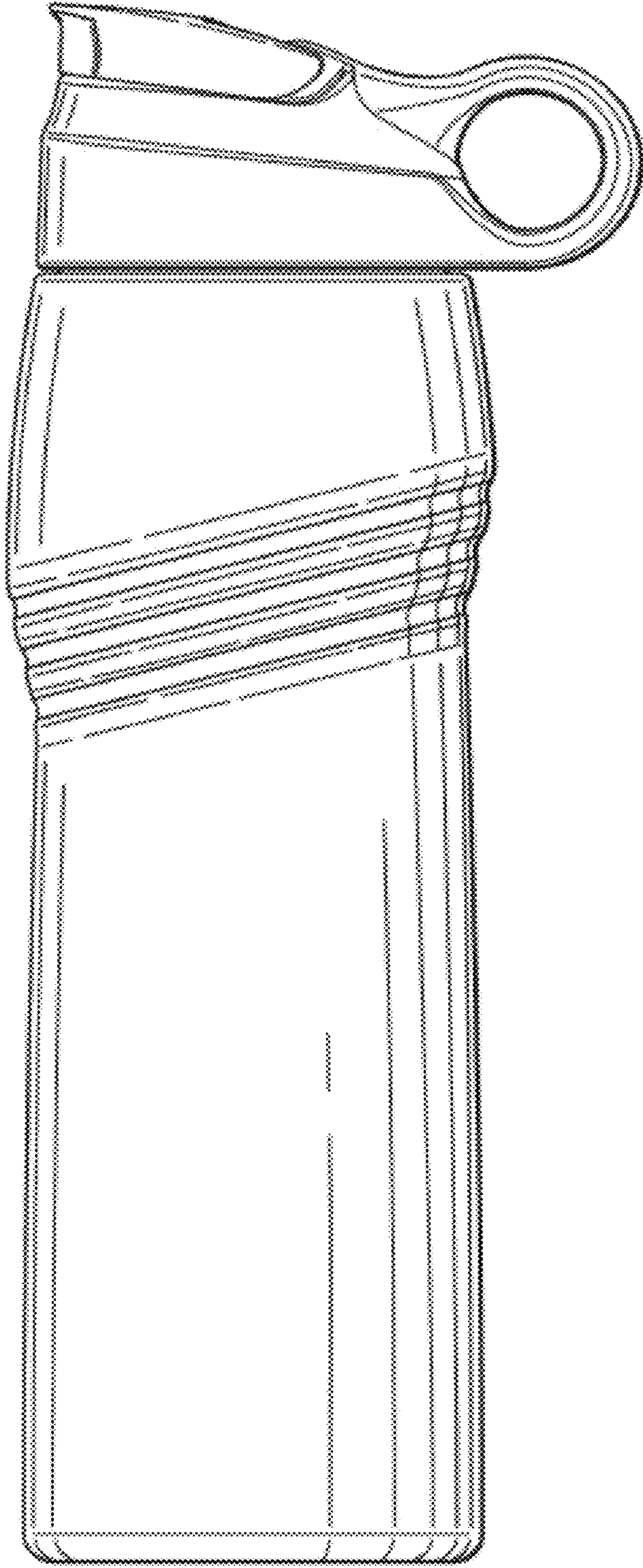


FIGURE 2

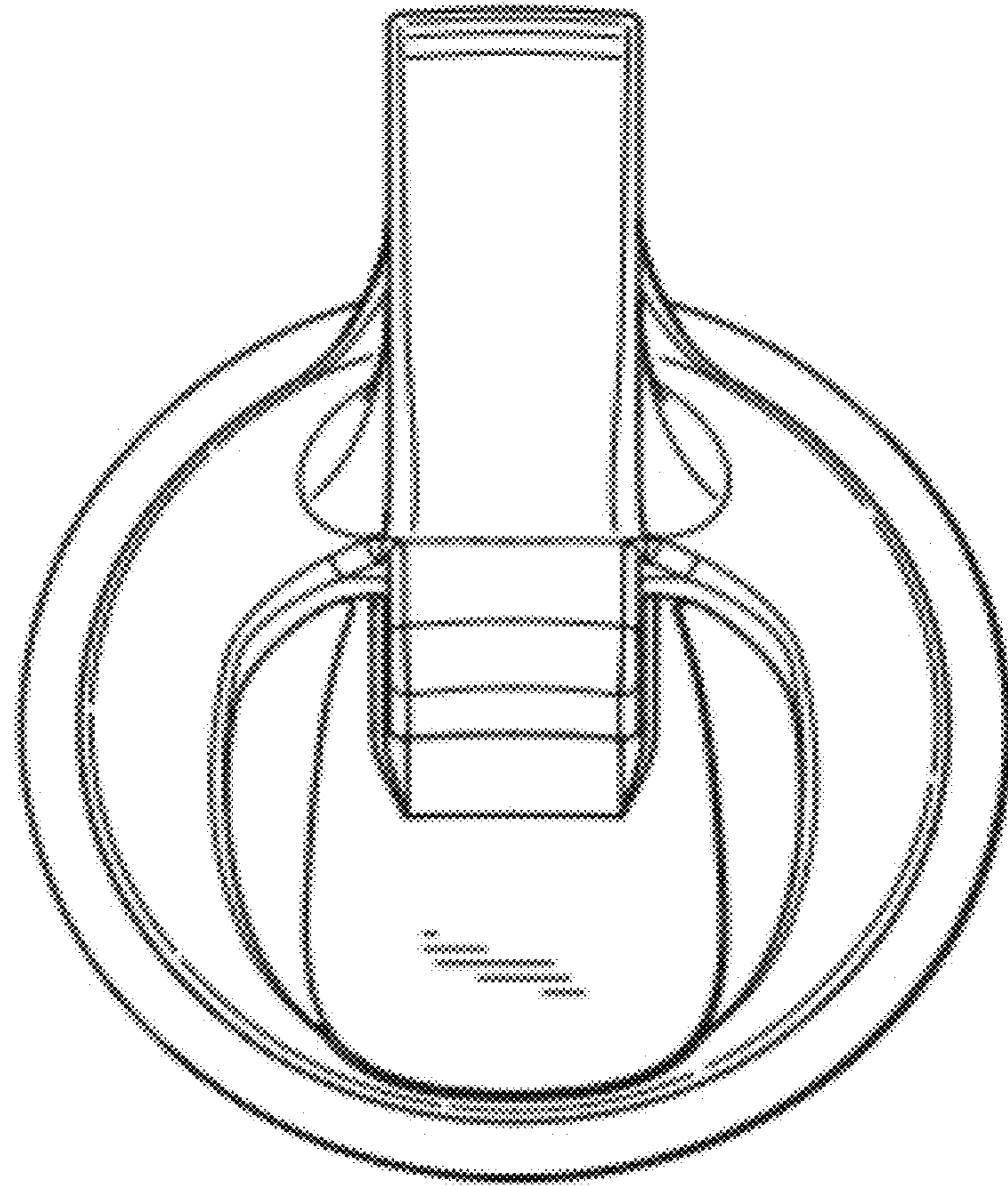


FIGURE 3

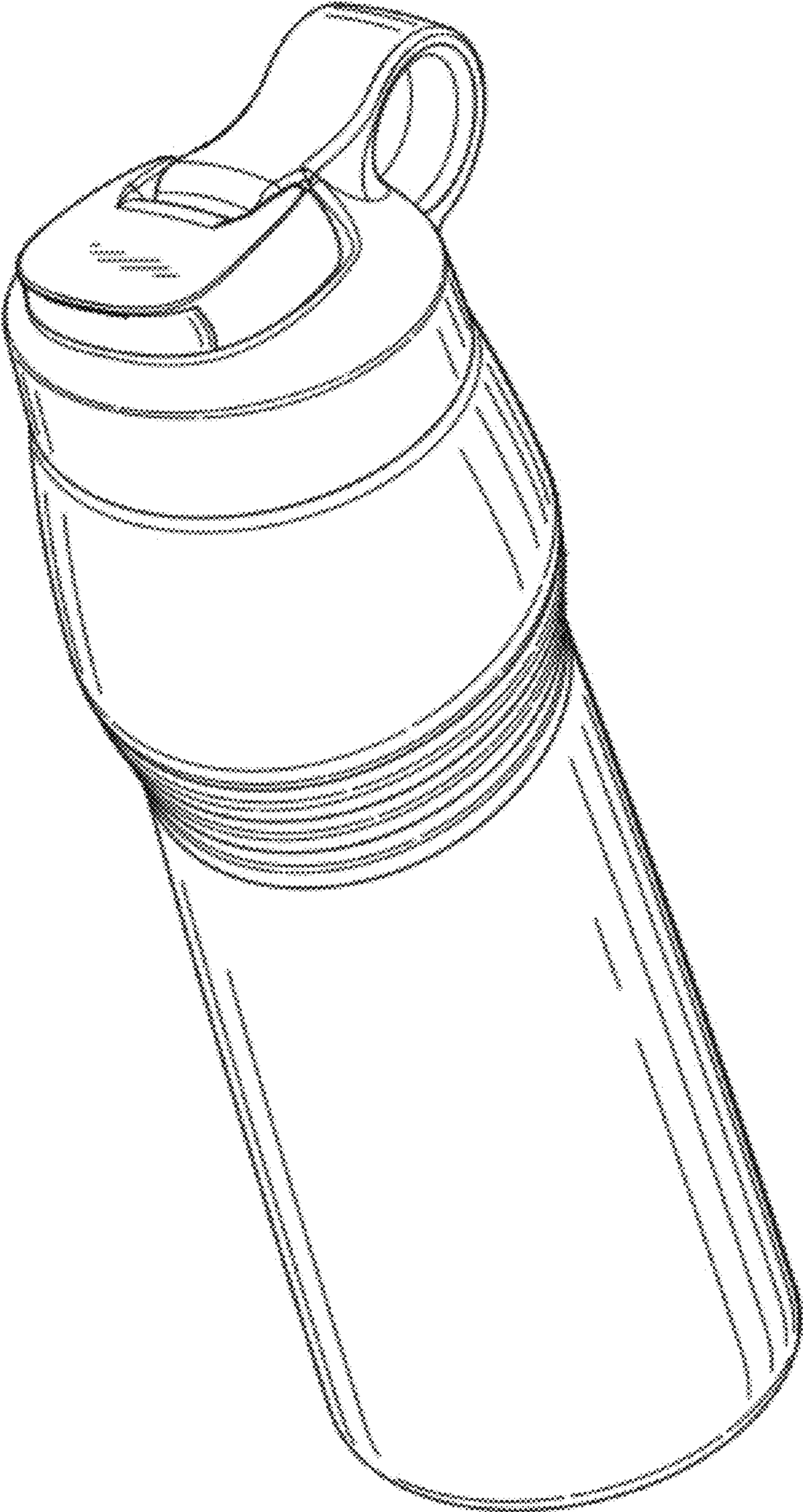


FIGURE 4

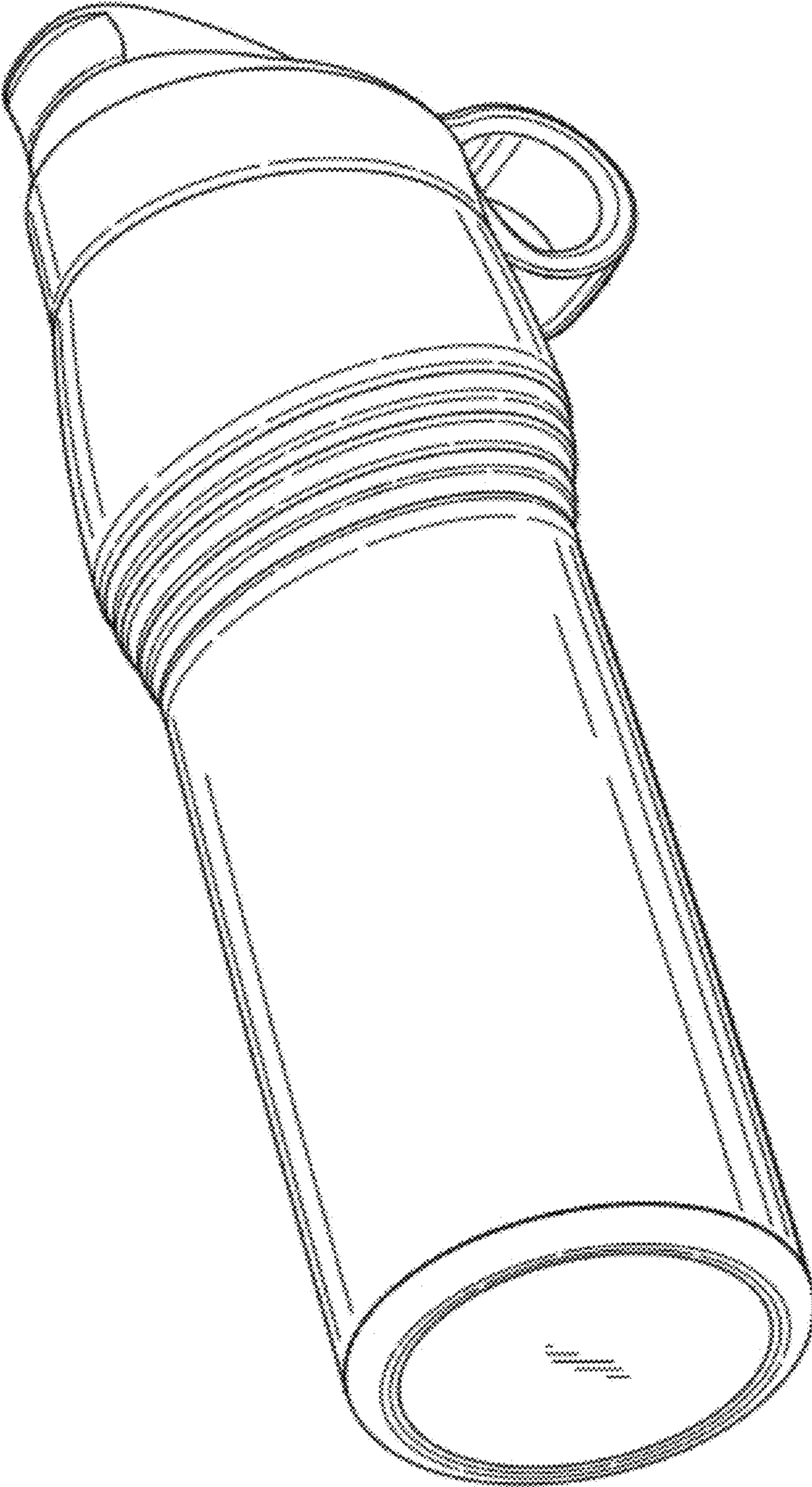


FIGURE 5