

US00D663205S

(12) **United States Design Patent**
Nelson et al.

(10) **Patent No.:** **US D663,205 S**
(45) **Date of Patent:** **** Jul. 10, 2012**

(54) **TRAY INSERT**

(75) Inventors: **Joshua D. Nelson**, Pleasant Grove, UT
(US); **Gregory C. Hahn**, Orem, UT
(US)

(73) Assignee: **Berwick Offray LLC**, Berwick, PA
(US)

(**) Term: **14 Years**

(21) Appl. No.: **29/396,495**

(22) Filed: **Jun. 30, 2011**

(51) **LOC (9) Cl.** **09-07**

(52) **U.S. Cl.** **D9/456**

(58) **Field of Classification Search** D9/456,
D9/455, 434; D3/328, 319, 313, 295, 294,
D3/273, 203.8, 203.6, 203.1, 201; D25/141,
D25/125, 123, 115, 114, 113; 428/152, 150,
428/141; 410/154; 206/711, 710

See application file for complete search history.

(56) **References Cited**

U.S. PATENT DOCUMENTS

D271,283 S * 11/1983 Taylor D9/415
D340,761 S * 10/1993 Long D23/206

D459,078 S * 6/2002 Tondino D3/313
D466,725 S * 12/2002 Masciale D6/449
D630,704 S * 1/2011 Kochanski D23/206
D653,088 S * 1/2012 Hansen et al. D7/624.1

* cited by examiner

Primary Examiner — Susan Bennett Hattan

(74) *Attorney, Agent, or Firm* — McCarter & English, LLP

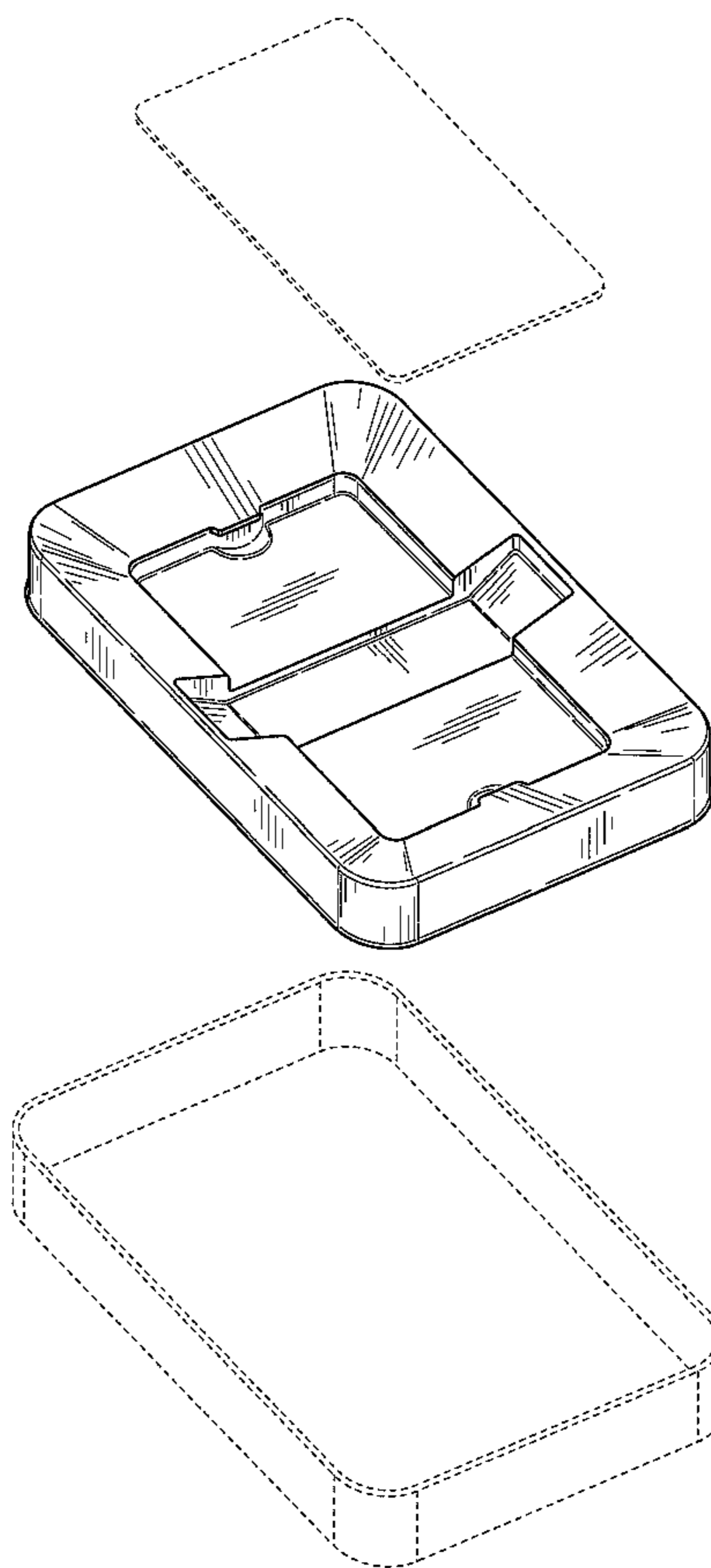
(57) **CLAIM**

The ornamental design for a tray insert, as shown and described.

DESCRIPTION

FIG. 1 is an exploded view of a tray insert showing our new design along with a gift card and a tray;
FIG. 2 is a perspective view thereof;
FIG. 3 is a front view of the tray insert, the rear view being a mirror image thereof;
FIG. 4 is a side view thereof, the other side being a mirror image thereof;
FIG. 5 is a top view thereof; and,
FIG. 6 is a bottom view thereof.
The broken lines shown are for illustrative purposes only and form no part of the claimed design.

1 Claim, 3 Drawing Sheets



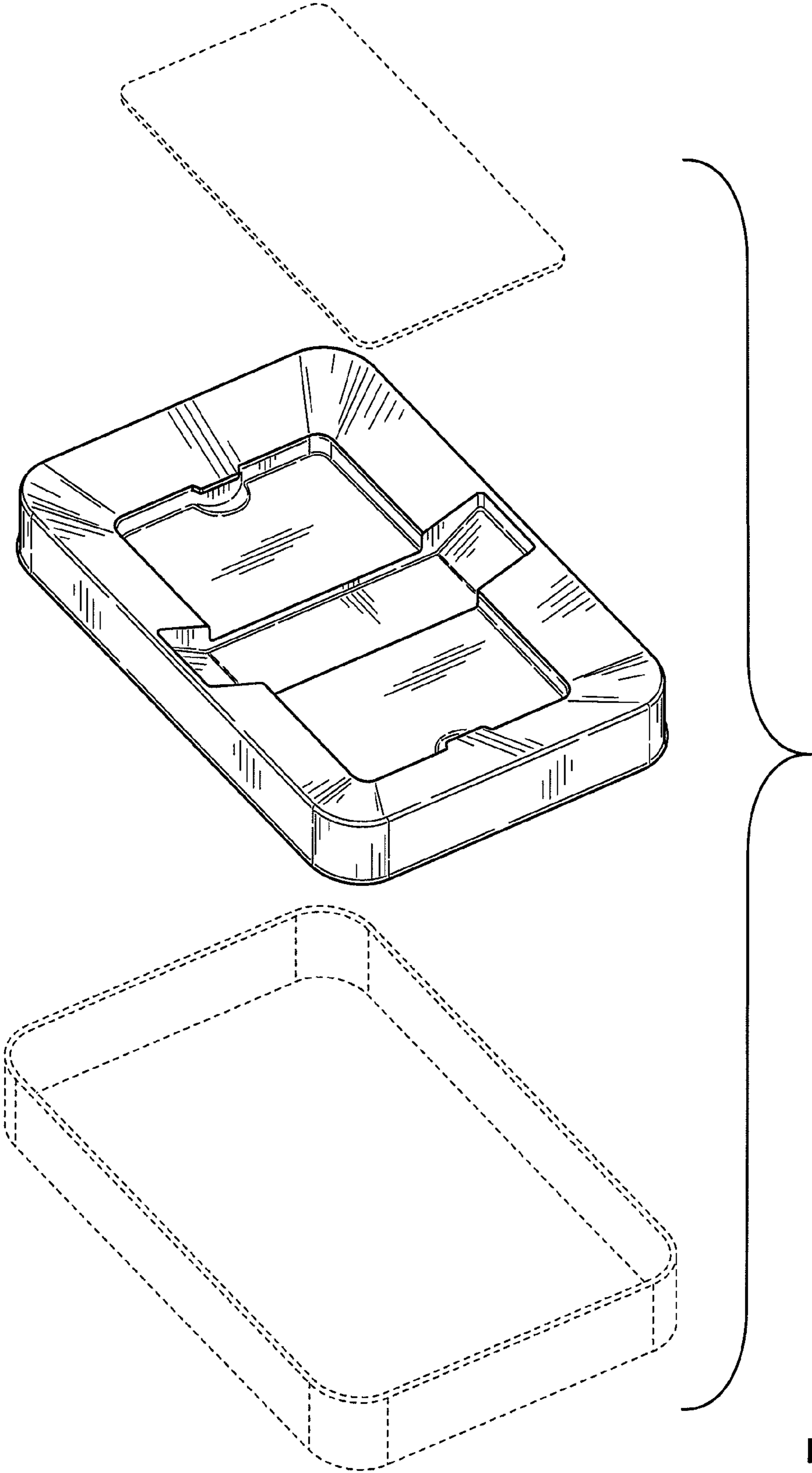


FIG. 1

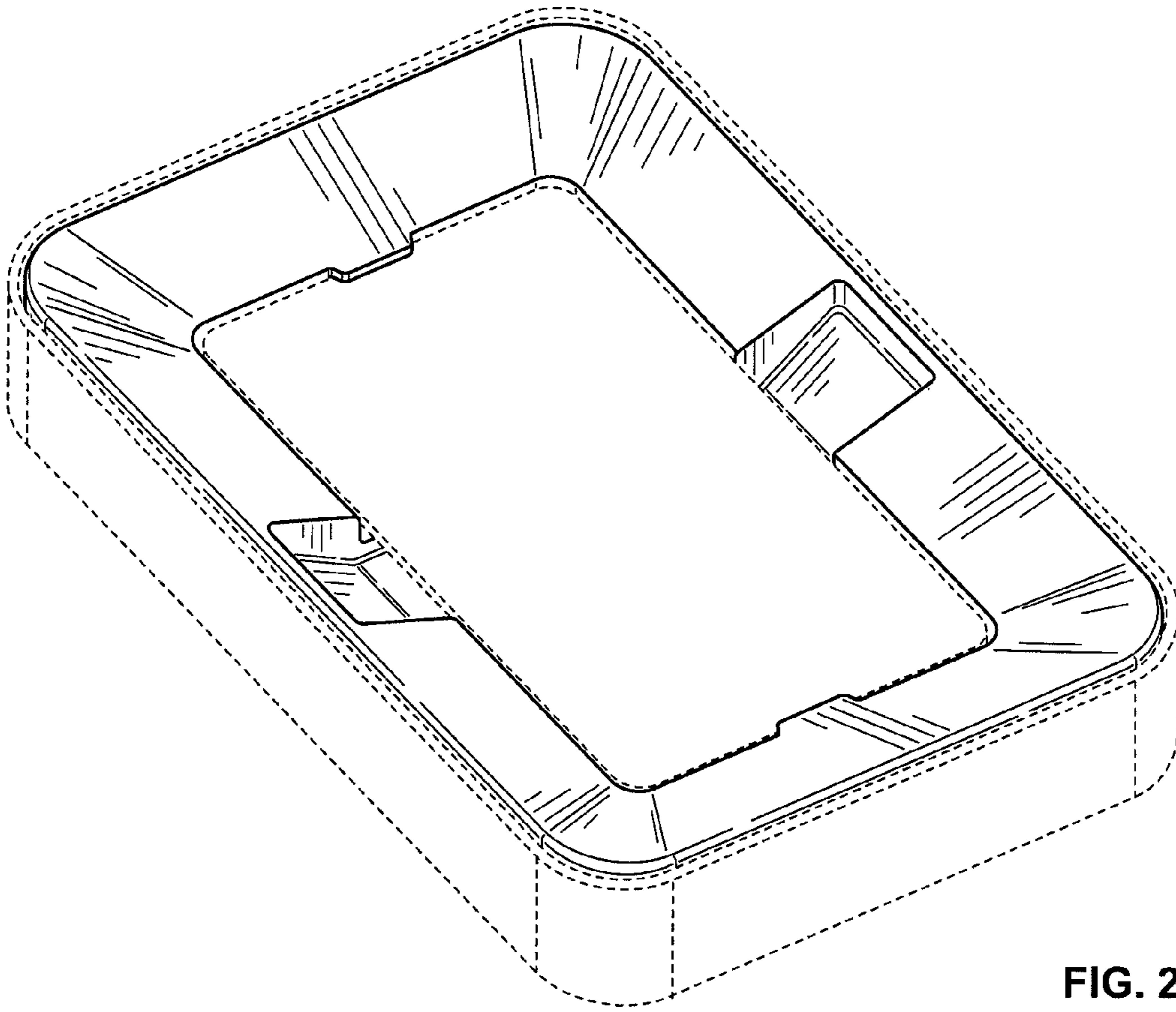


FIG. 2

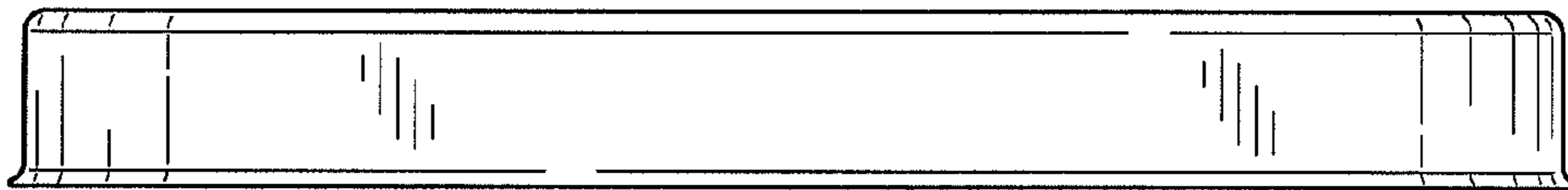


FIG. 3



FIG. 4

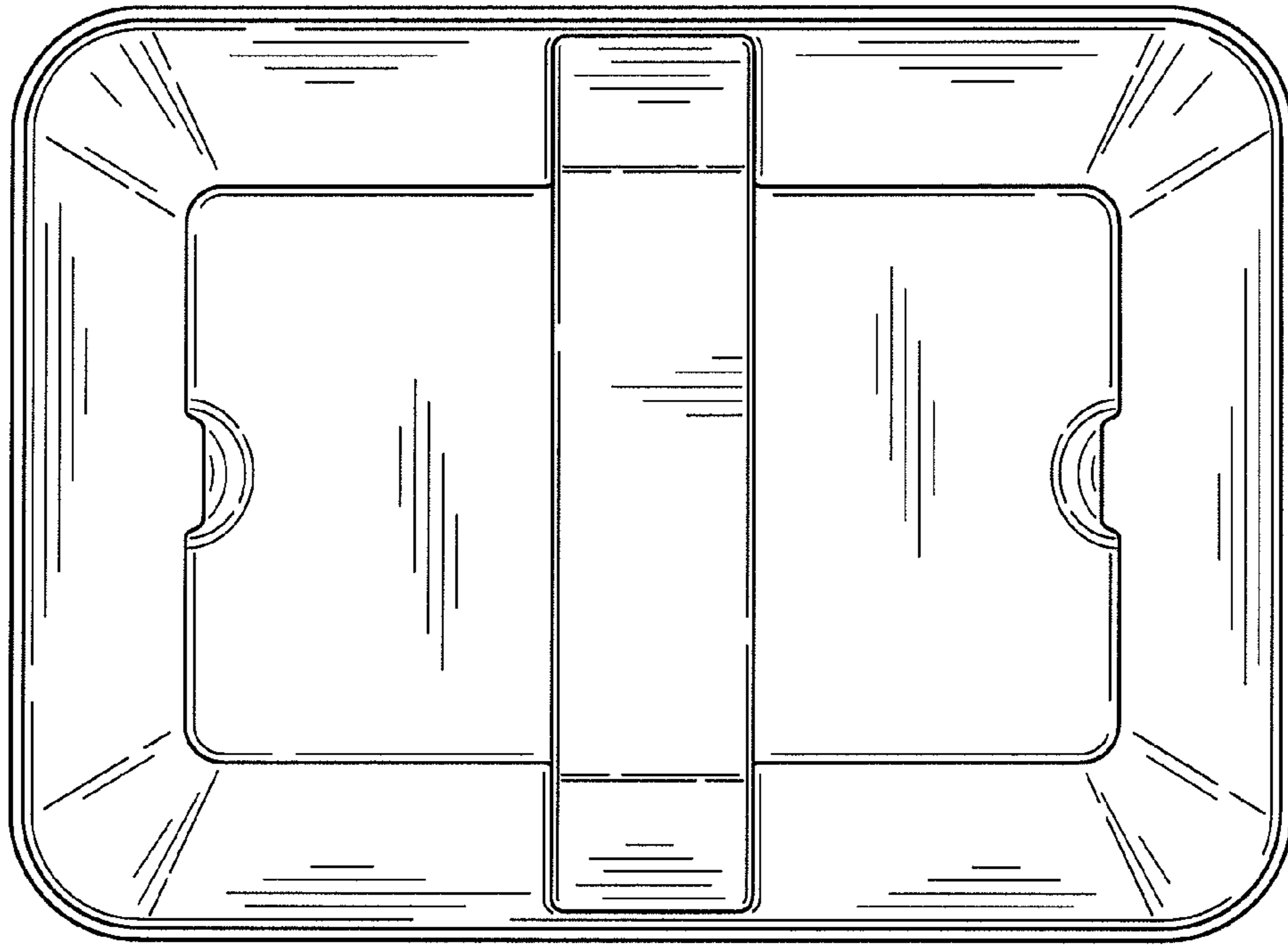


FIG. 5

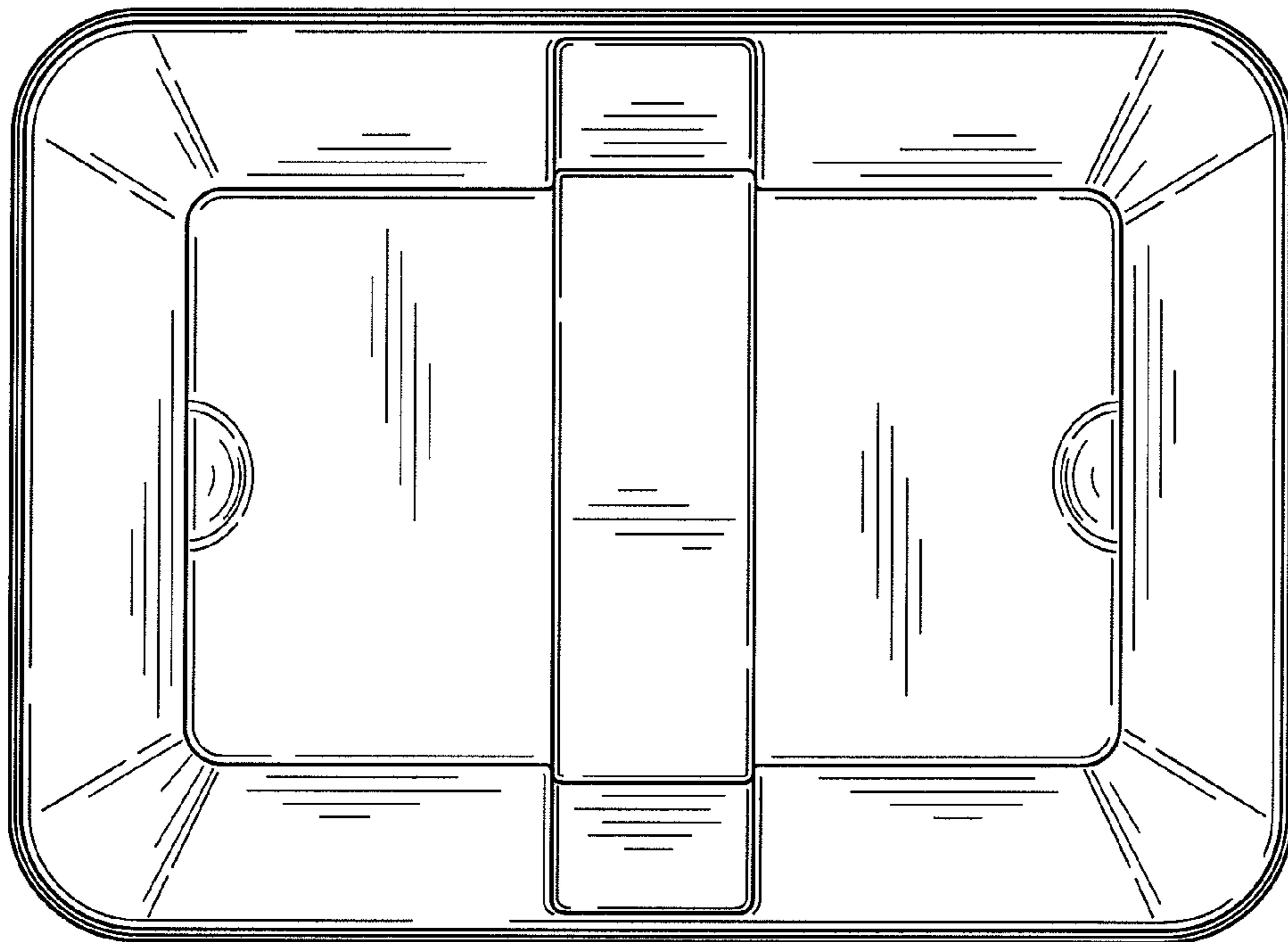


FIG. 6