



US00D663203S

(12) **United States Design Patent**  
**Bodkin**

(10) **Patent No.:** **US D663,203 S**  
(45) **Date of Patent:** **\*\* Jul. 10, 2012**

(54) **PRODUCT PACKAGE**

(75) Inventor: **Joel T. Bodkin**, Minneapolis, MN (US)

(73) Assignee: **Target Brands, Inc.**, Minneapolis, MN (US)

(\*\*) Term: **14 Years**

(21) Appl. No.: **29/367,229**

(22) Filed: **Aug. 4, 2010**

(51) **LOC (9) Cl.** ..... **09-07**

(52) **U.S. Cl.** ..... **D9/454; D9/436; D9/445; D9/503**

(58) **Field of Classification Search** ..... D9/529,  
D9/519, 504, 503, 500, 454, 450, 449, 445,  
D9/444, 436, 435, 428; D7/601, 392.1; 426/104;  
220/820, 810, 521, 212; 215/236, 228; 206/217  
See application file for complete search history.

(56) **References Cited**

**U.S. PATENT DOCUMENTS**

D52,713 S	11/1918	Walker	
3,085,709 A *	4/1963	Klein	220/521
3,590,988 A	7/1971	Hollar	
D243,069 S *	1/1977	Igelman	D9/428
4,815,607 A	3/1989	Agapiou	
4,919,083 A	4/1990	Axelrod	
D312,284 S	11/1990	Kolton	
D314,598 S *	2/1991	Capper et al.	D21/714
D335,085 S *	4/1993	Wacker	D9/504
D341,635 S	11/1993	Kolton	
5,292,028 A	3/1994	Patterson et al.	
D352,896 S	11/1994	Jones	
5,758,794 A	6/1998	Rider, Jr. et al.	
5,792,496 A *	8/1998	Fekete et al.	426/104
D406,764 S *	3/1999	Bright et al.	D9/503
6,102,209 A	8/2000	D'Andrea	
6,299,014 B1	10/2001	Nava et al.	
D475,571 S	6/2003	Hopkins	
D475,621 S *	6/2003	Buchalski et al.	D9/428
6,585,551 B2	7/2003	McClung et al.	
D478,813 S *	8/2003	Beene	D9/519
D481,837 S	11/2003	Iafelice	

D492,403 S *	6/2004	Iddan et al.	D24/104
6,766,902 B1	7/2004	Hartelius	
6,918,809 B2	7/2005	Persall	
D512,469 S	12/2005	Atkisson	
D523,333 S *	6/2006	Moretti	D9/444
D565,907 S *	4/2008	de Groote et al.	D7/601
D606,262 S	12/2009	Newsome et al.	

(Continued)

**OTHER PUBLICATIONS**

Christmas Frisbee Value Pack, [http://www.amazon.com/gp/product/B000USIT2S/ref=pd\\_lpo\\_k2\\_dp\\_s...B002URHUUE&pf\\_rd\\_m=ATVPDKIKX0DER&pf\\_rd\\_r=0GYJCCPFYYZT29QP430H](http://www.amazon.com/gp/product/B000USIT2S/ref=pd_lpo_k2_dp_s...B002URHUUE&pf_rd_m=ATVPDKIKX0DER&pf_rd_r=0GYJCCPFYYZT29QP430H), Publicly available at least as early as Jul. 1, 2010, 4 pages.

(Continued)

*Primary Examiner* — Susan Bennett Hattan

(74) *Attorney, Agent, or Firm* — Griffiths & Seaton PLLC

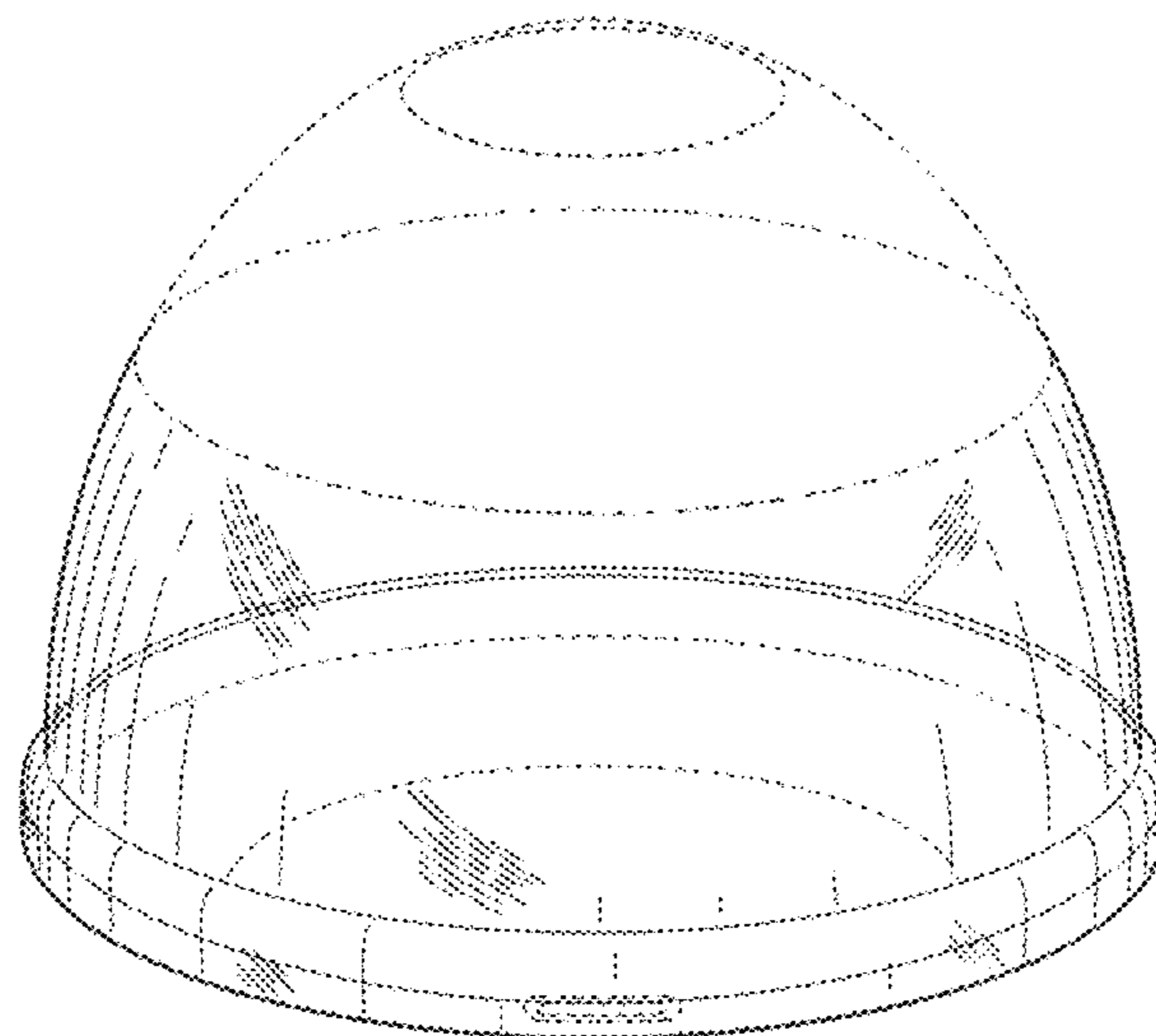
(57) **CLAIM**

The ornamental design for a product package, as shown and described.

**DESCRIPTION**

FIG. 1 is a front, top, perspective view of a product package showing my new design;  
FIG. 2 is a rear, bottom perspective view thereof;  
FIG. 3 is a front view thereof, the rear view being identical to the front view;  
FIG. 4 is a right side view thereof, the left side view being identical to the right side view;  
FIG. 5 is a top view thereof;  
FIG. 6 is a bottom view thereof; and,  
FIG. 7 is a front, top perspective view thereof with additional environmental subject matter shown in broken lines.  
The features shown in broken lines depict environmental subject matter and form no part of the claimed design. The dot-dash broken lines indicate the bounds of the claim and form no part thereof.

**1 Claim, 7 Drawing Sheets**



# US D663,203 S

Page 2

---

## U.S. PATENT DOCUMENTS

D610,458 S \* 2/2010 Martin ..... D9/500  
D621,124 S \* 8/2010 Biegel ..... D99/5  
D632,959 S \* 2/2011 Peters ..... D9/454  
D638,884 S \* 5/2011 Shoemaker, Jr. .... D21/386  
D641,631 S \* 7/2011 Kawahara et al. .... D9/503  
D645,748 S \* 9/2011 Sharma et al. .... D9/503  
D650,280 S \* 12/2011 De Peyerimhoff et al. .... D9/504  
2002/0166781 A1 11/2002 Andreas

## OTHER PUBLICATIONS

Sushi To Go Plush Dog Toys, <http://www.big-dog-clothing.com/dog-toys/sushi-to-go-plush-dog-toys/>, Publicly available at least as early as Jul. 26, 2010, 1 page.

Chocolate Delight Cake Dog Toy, <http://www.pawsforlove.com/chocolate-delight-cake-dog-toy-p-339.html>, Publicly available at least as early as Jul. 26, 2010, 1 page.

Strawberry Delight Cake Dog Toy, <http://www.pawsforlove.com/chocolate-delight-cake-dog-toy-p-339.html>, Publicly available at least as early as Jul. 26, 2010, 1 page.

Sushi Pups Toy Shop, <http://sushipups.com/toys.html>, Publicly available at least as early as Jul. 26, 2010, 2 pages.

\* cited by examiner

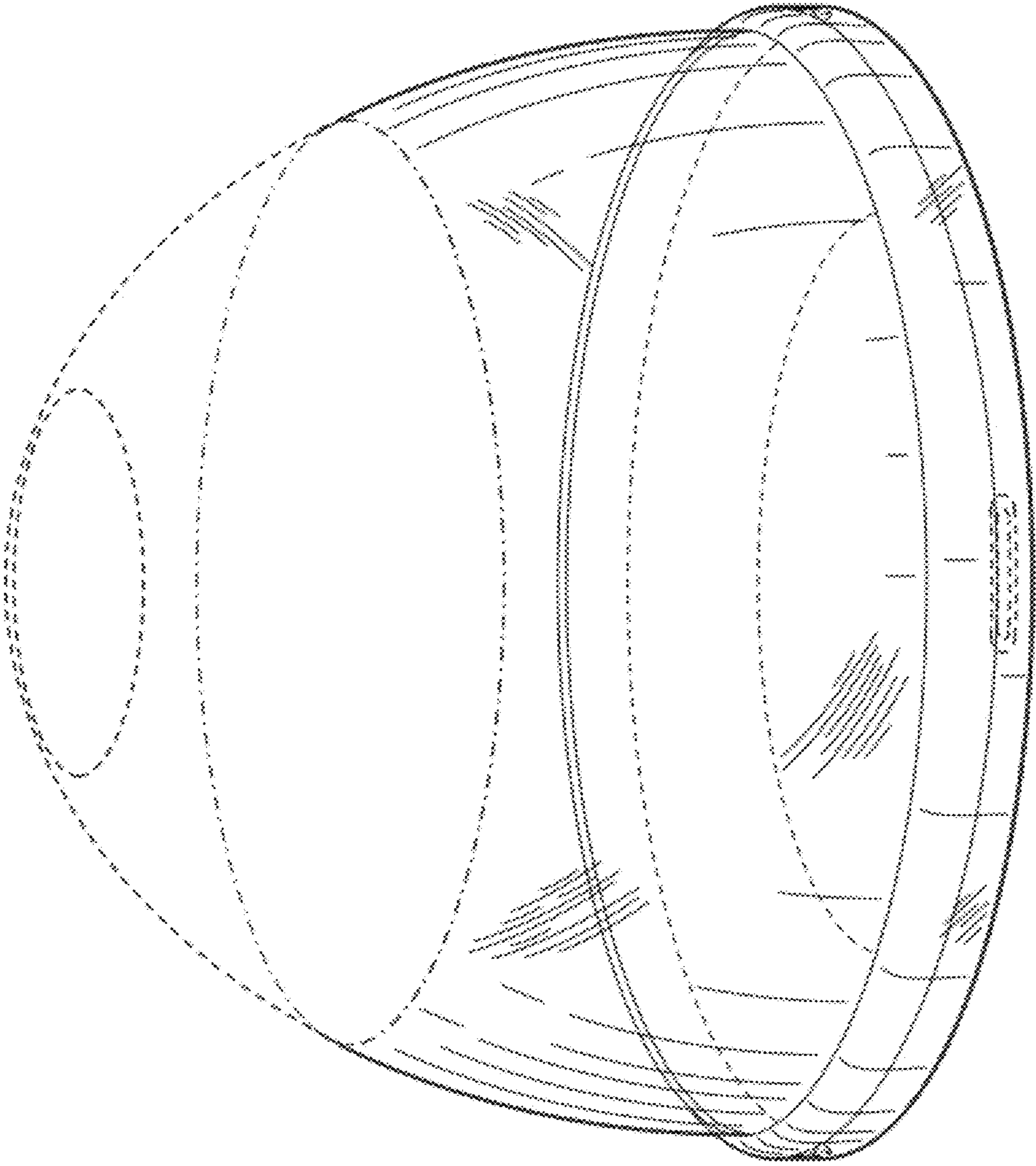


FIG. 1

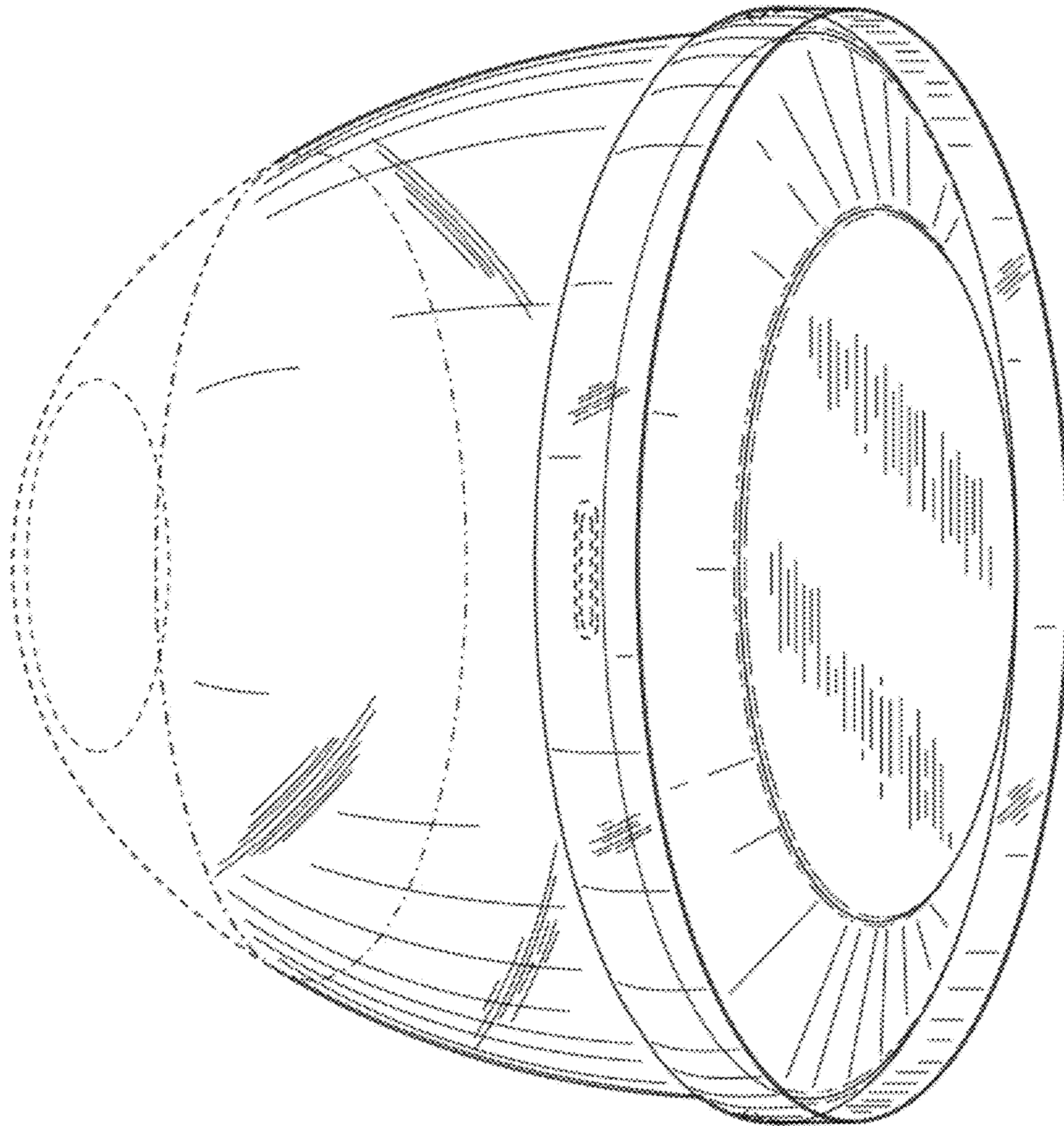


FIG. 2

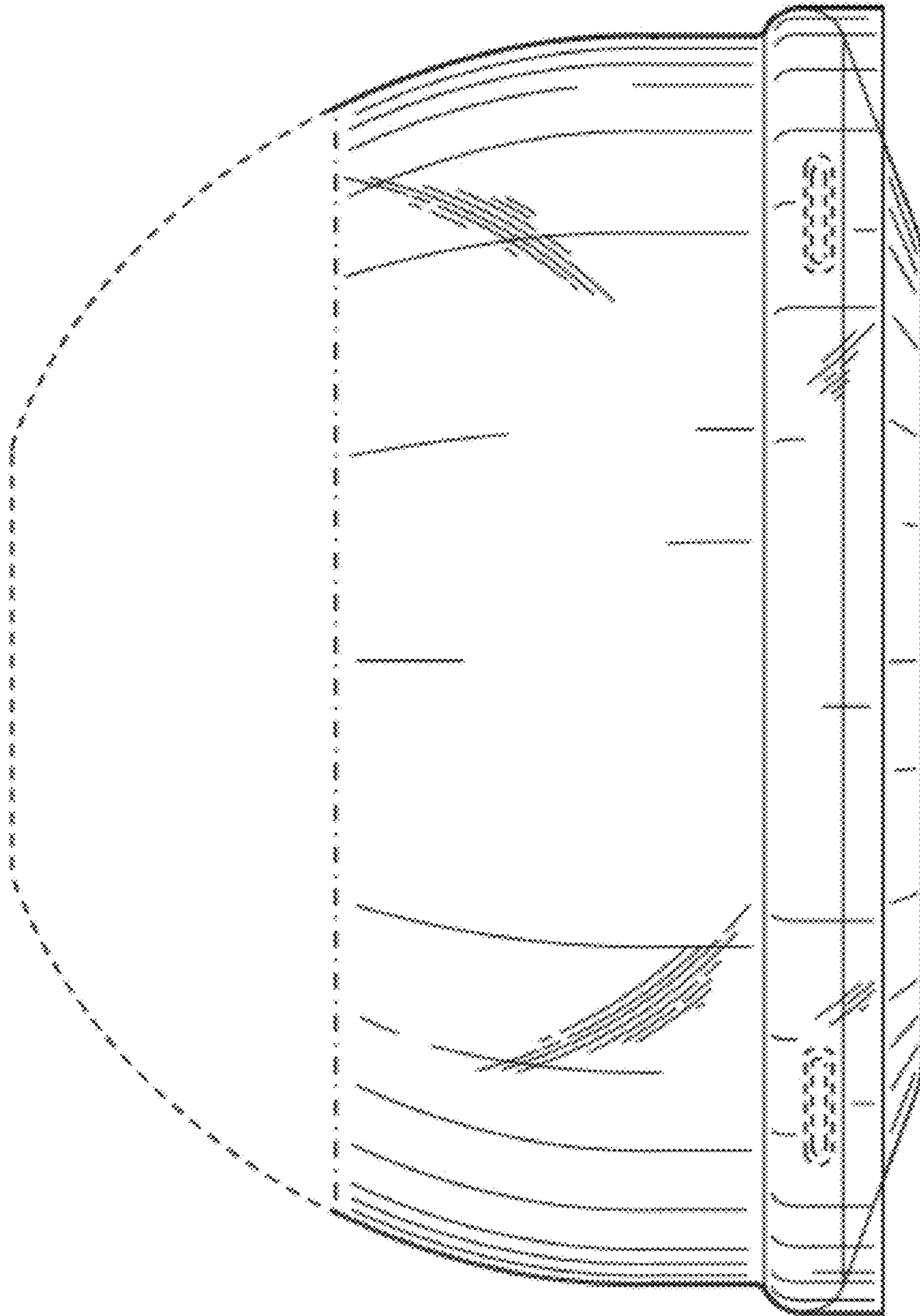


FIG. 3

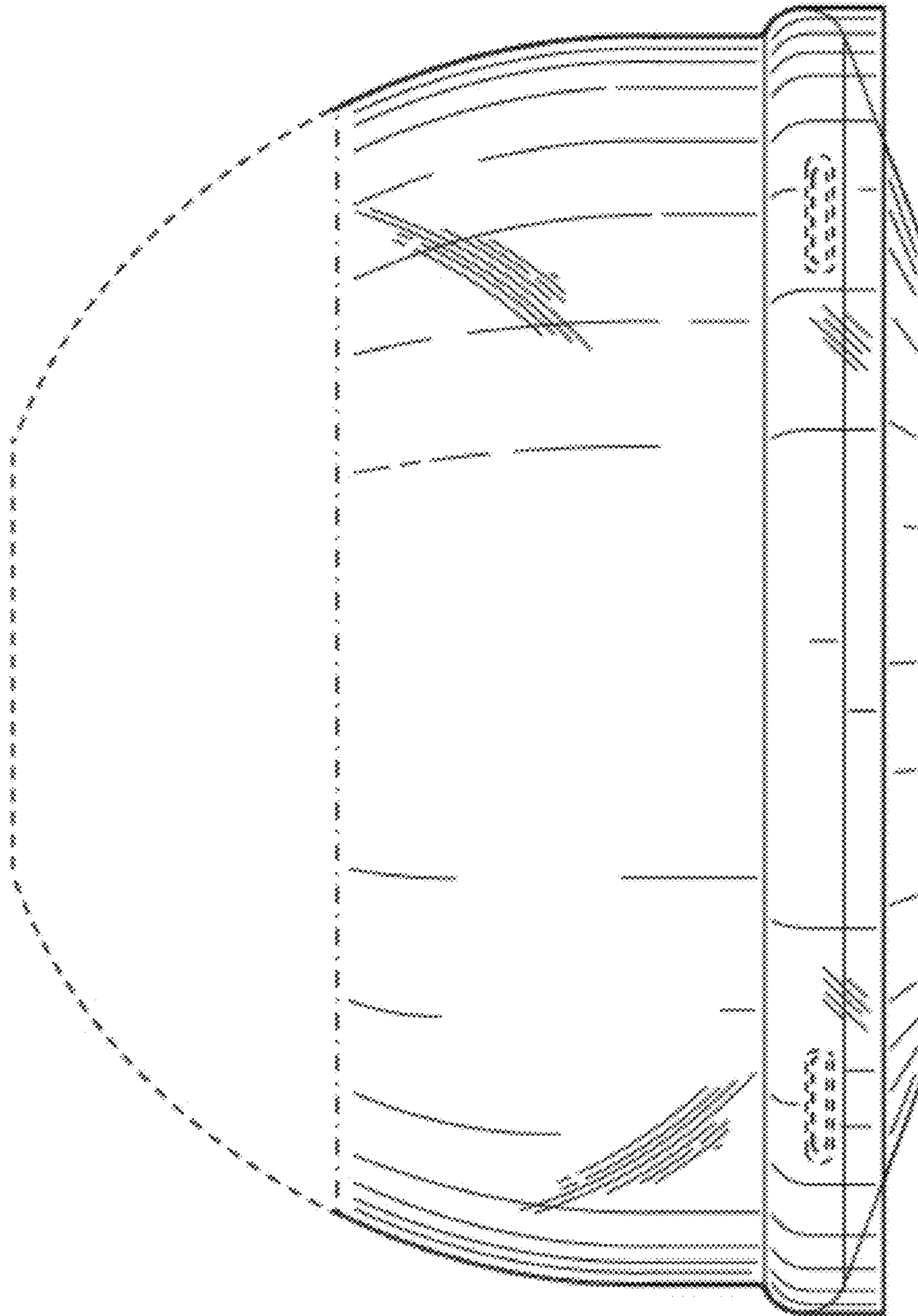


FIG. 4

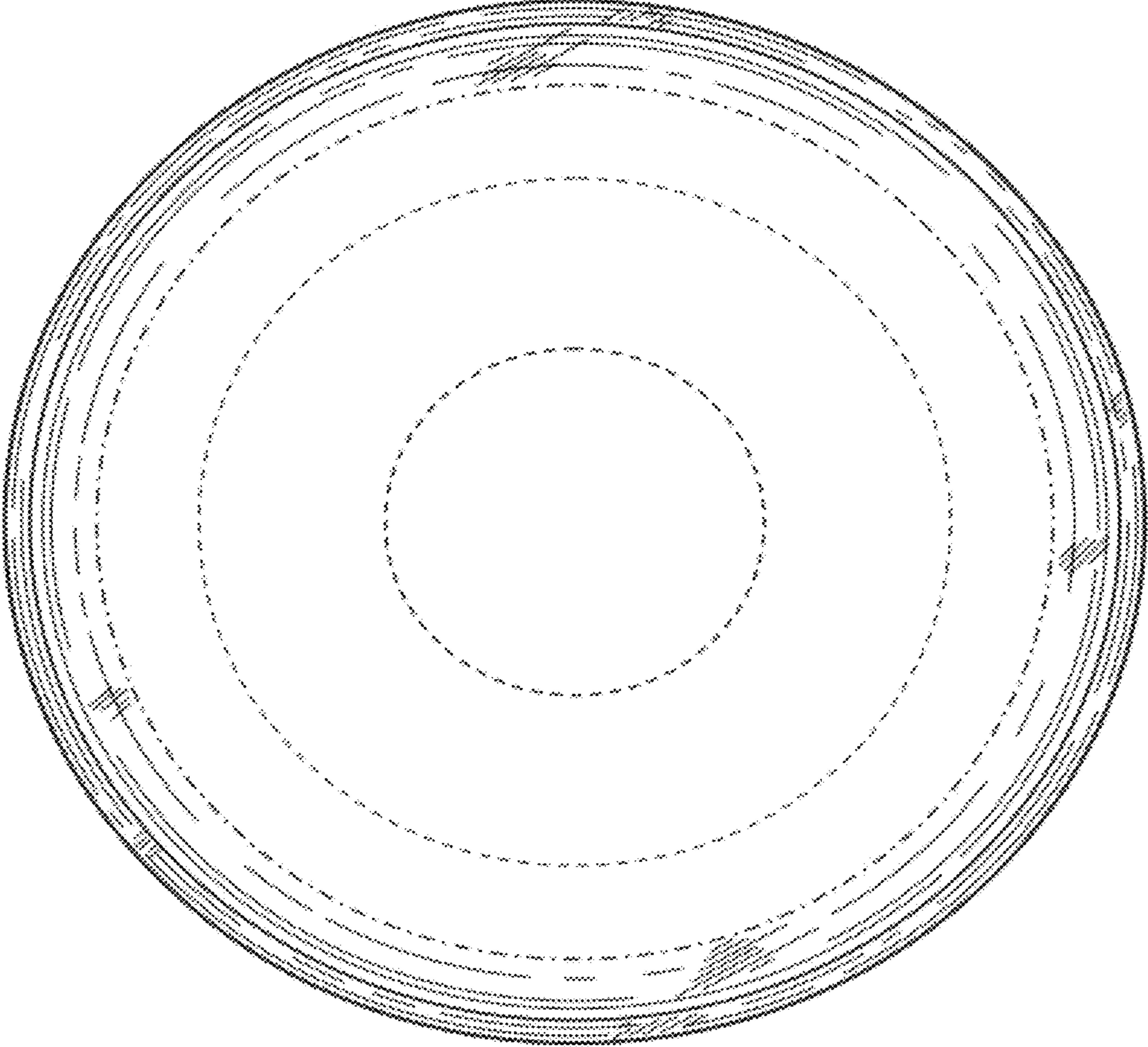


FIG. 5

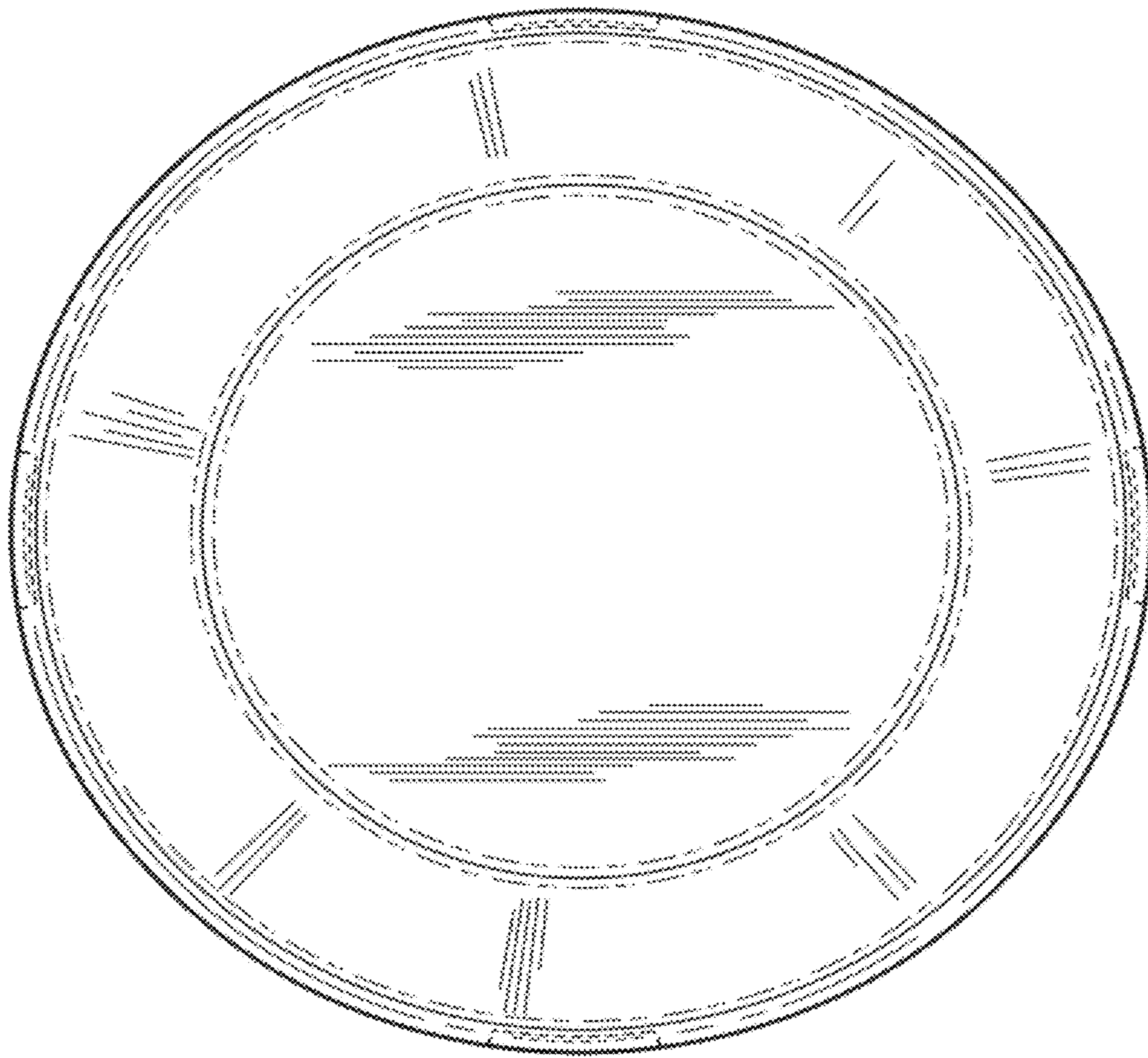


FIG. 6



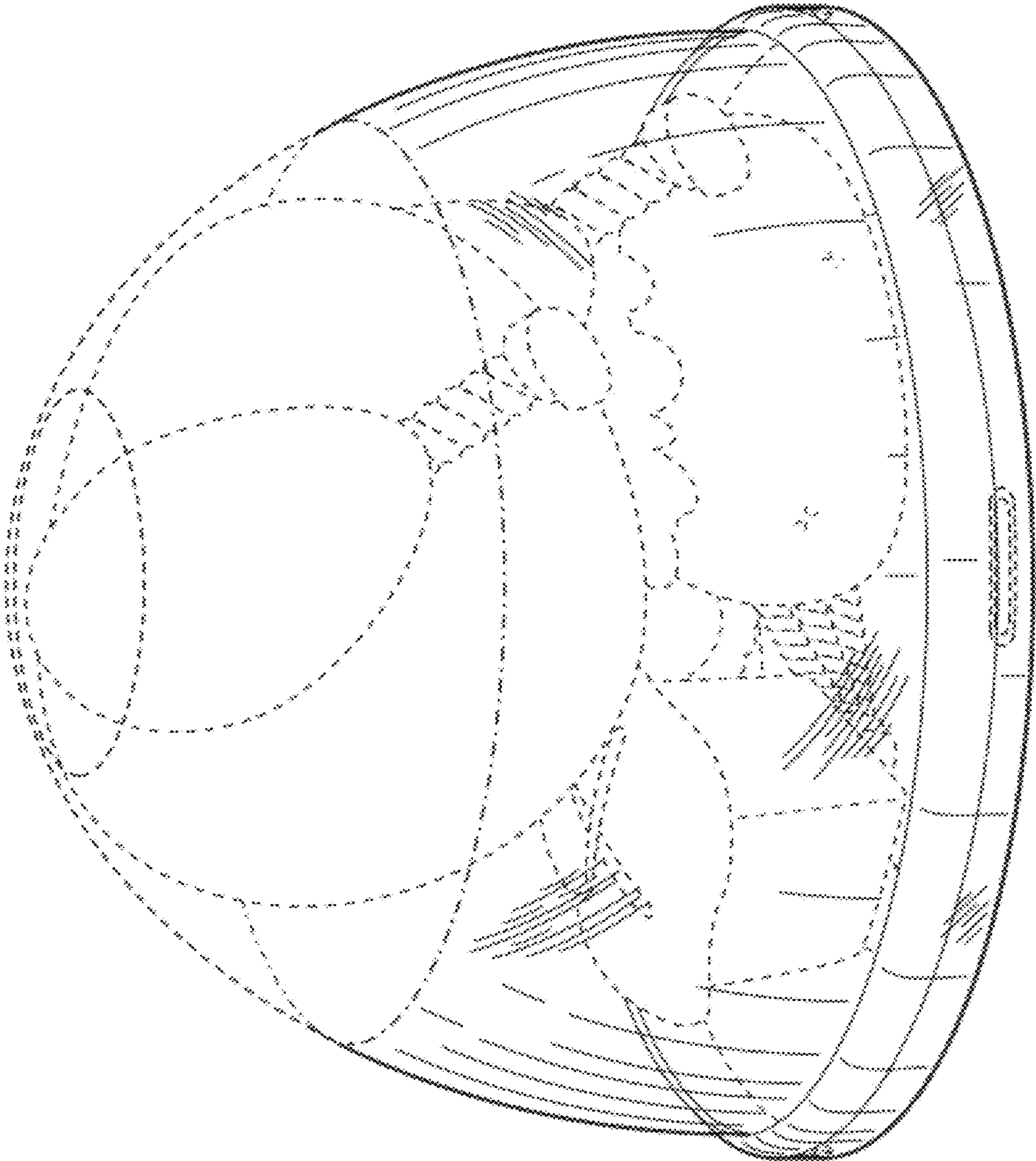


FIG. 7