



US00D663200S

(12) **United States Design Patent**  
**Dombrowski et al.**

(10) **Patent No.:** **US D663,200 S**  
(45) **Date of Patent:** **\*\* Jul. 10, 2012**

(54) **PACKAGE FOR PERSONAL CARE COMPOSITION**

(75) Inventors: **David Dombrowski**, Liberty Township, OH (US); **George Scott Kerr**, Mason, OH (US)

(73) Assignee: **The Procter & Gamble Company**, Cincinnati, OH (US)

(\*\*) Term: **14 Years**

(21) Appl. No.: **29/408,784**

(22) Filed: **Dec. 16, 2011**

**Related U.S. Application Data**

(62) Division of application No. 29/354,847, filed on Jan. 29, 2010, now Pat. No. Des. 653,122.

(51) **LOC (9) Cl.** ..... **09-07**

(52) **U.S. Cl.** ..... **D9/448**

(58) **Field of Classification Search** ..... D9/682-694, D9/516-575, 434-454; D6/542; 222/129, 222/135, 153.01, 153.03, 153.04, 153.09, 222/153.11-153.14, 182, 631, 635, 209, 222/211-213, 215, 321.7-321.9, 372, 373, 222/378, 379, 383.1, 384-386, 398, 400.7, 222/400.8, 401, 402.1-402.25, 491, 494, 222/505, 507, 544, 566-575; 215/379-384, 215/40-45, 228, 386; 220/669-675, 694, 220/695, 698, 700, 86.1; D7/300, 303, 312-322, D7/589, 590, 598, 387, 396.1, 396.2, 397, D7/398, 401.1, 415  
See application file for complete search history.

(56) **References Cited**

**U.S. PATENT DOCUMENTS**

D732 S *	10/1855	Newton	.....	D9/450
D16,712 S	5/1886	Underwood		
1,430,552 A *	10/1922	Hothersall	.....	222/498
1,620,024 A *	3/1927	Hothersall	.....	222/536
D74,436 S	2/1928	Hally-Smith		
2,782,967 A *	2/1957	Walker	.....	222/485
D182,444 S	4/1958	Sinclair et al.		

D186,860 S	12/1959	Speaker		
2,921,722 A	1/1960	Focht		
3,081,912 A *	3/1963	Goceliak	.....	222/189.07
D210,516 S	3/1968	Mascia et al.		
3,437,193 A *	4/1969	Freeman	.....	206/780
3,899,107 A *	8/1975	Gaal	.....	222/570
D244,008 S	4/1977	Aeschlimann		
D246,892 S	1/1978	East		
D258,492 S *	3/1981	Plummer	.....	D7/319
D285,515 S *	9/1986	Papciak	.....	D7/509
D337,527 S	7/1993	Klapwald		
5,273,194 A *	12/1993	McNamara	.....	222/470
D369,980 S	5/1996	Dinand		
D372,860 S	8/1996	Lathrop et al.		
D375,051 S	10/1996	Lathrop et al.		
D381,580 S	7/1997	Kokenge et al.		
D383,982 S	9/1997	Tippitt et al.		
D406,062 S	2/1999	Brewer		
D421,215 S	2/2000	Crawford		
D445,686 S	7/2001	Danielo et al.		
D449,956 S *	11/2001	Drennow	.....	D7/317

(Continued)

**FOREIGN PATENT DOCUMENTS**

CN 3358196 3/2004

(Continued)

*Primary Examiner* — Catherine Tuttle

(74) *Attorney, Agent, or Firm* — Carl J. Roof

(57) **CLAIM**

The ornamental design for a package for personal care composition, as shown and described.

**DESCRIPTION**

FIG. 1 is a perspective view of a package for personal care composition;

FIG. 2 is a side view thereof;

FIG. 3 is a front side view thereof;

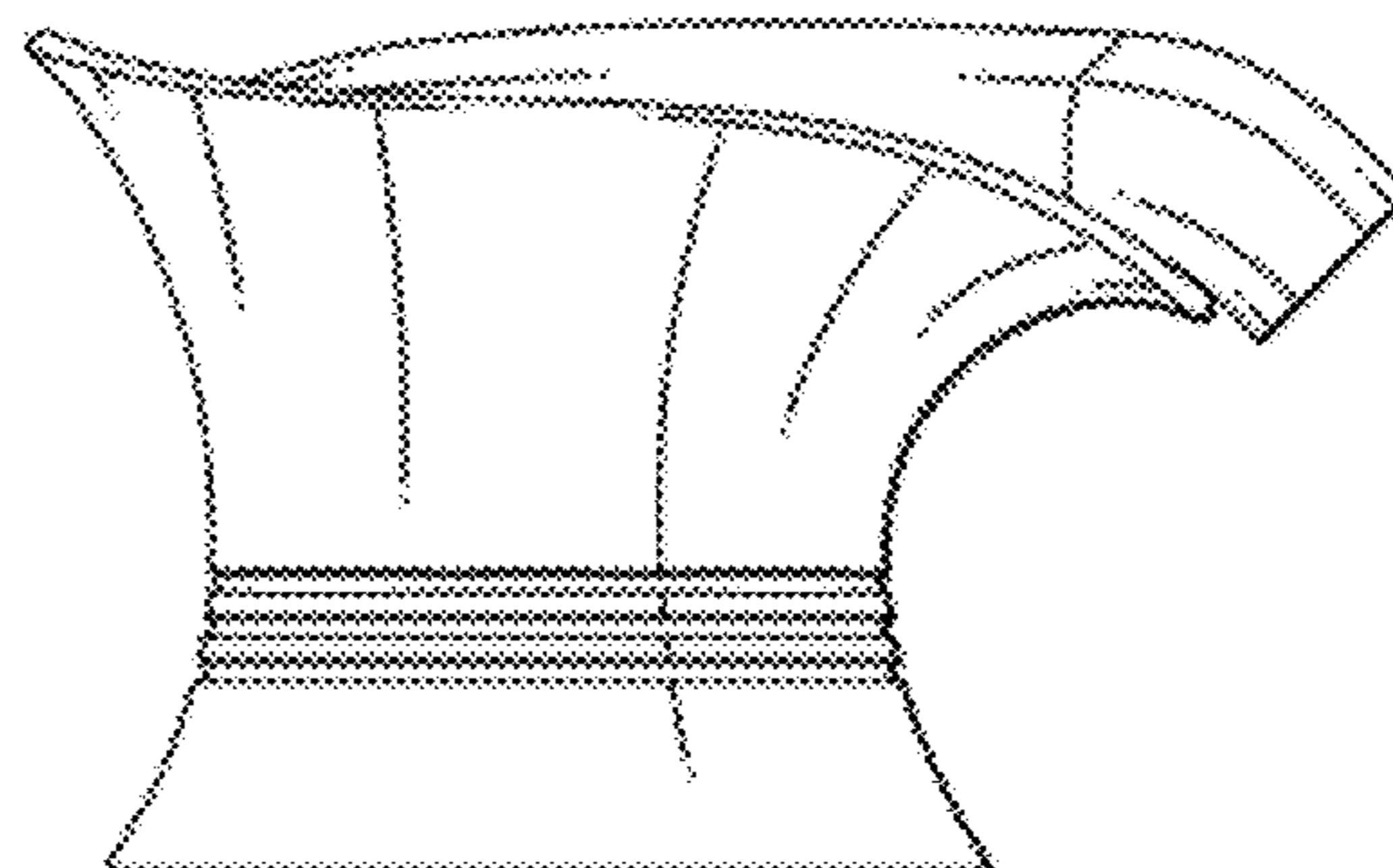
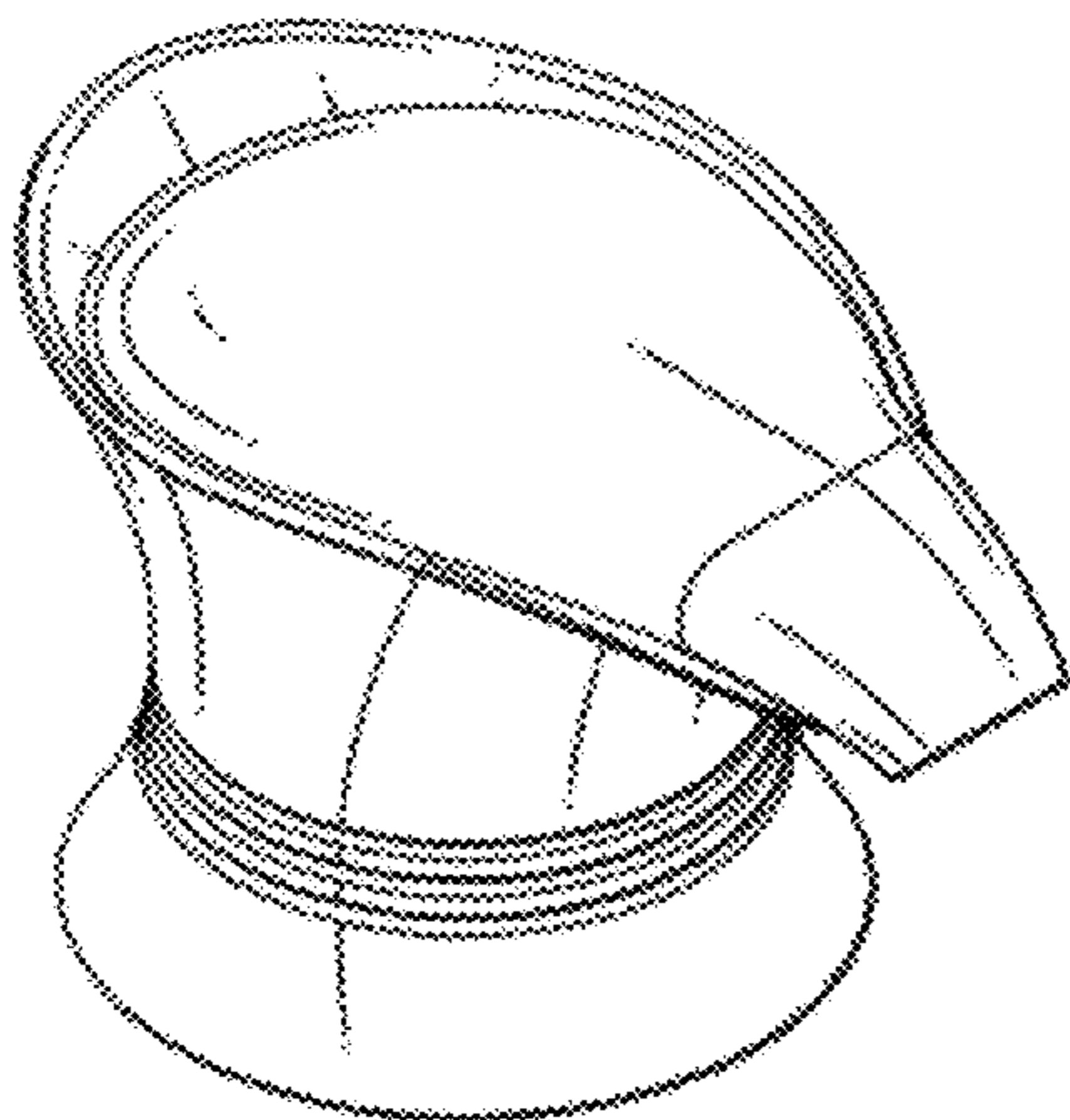
FIG. 4 is a back view thereof;

FIG. 5 is a top view thereof; and,

FIG. 6 is a bottom view thereof.

The broken lines are included for the purpose of illustrating portions of the package for personal care composition that form no part of the claimed design.

**1 Claim, 2 Drawing Sheets**



# US D663,200 S

Page 2

---

## U.S. PATENT DOCUMENTS

D457,424	S	5/2002	Lillelund et al.
D498,646	S	11/2004	Drennow
D623,071	S	9/2010	Driskell et al.
2006/0186139	A1	8/2006	Laidler et al.
2010/0089946	A1	4/2010	Py

## FOREIGN PATENT DOCUMENTS

GB	2023428	11/1992
GB	2035513	4/1994
GB	2088443	6/2000

\* cited by examiner

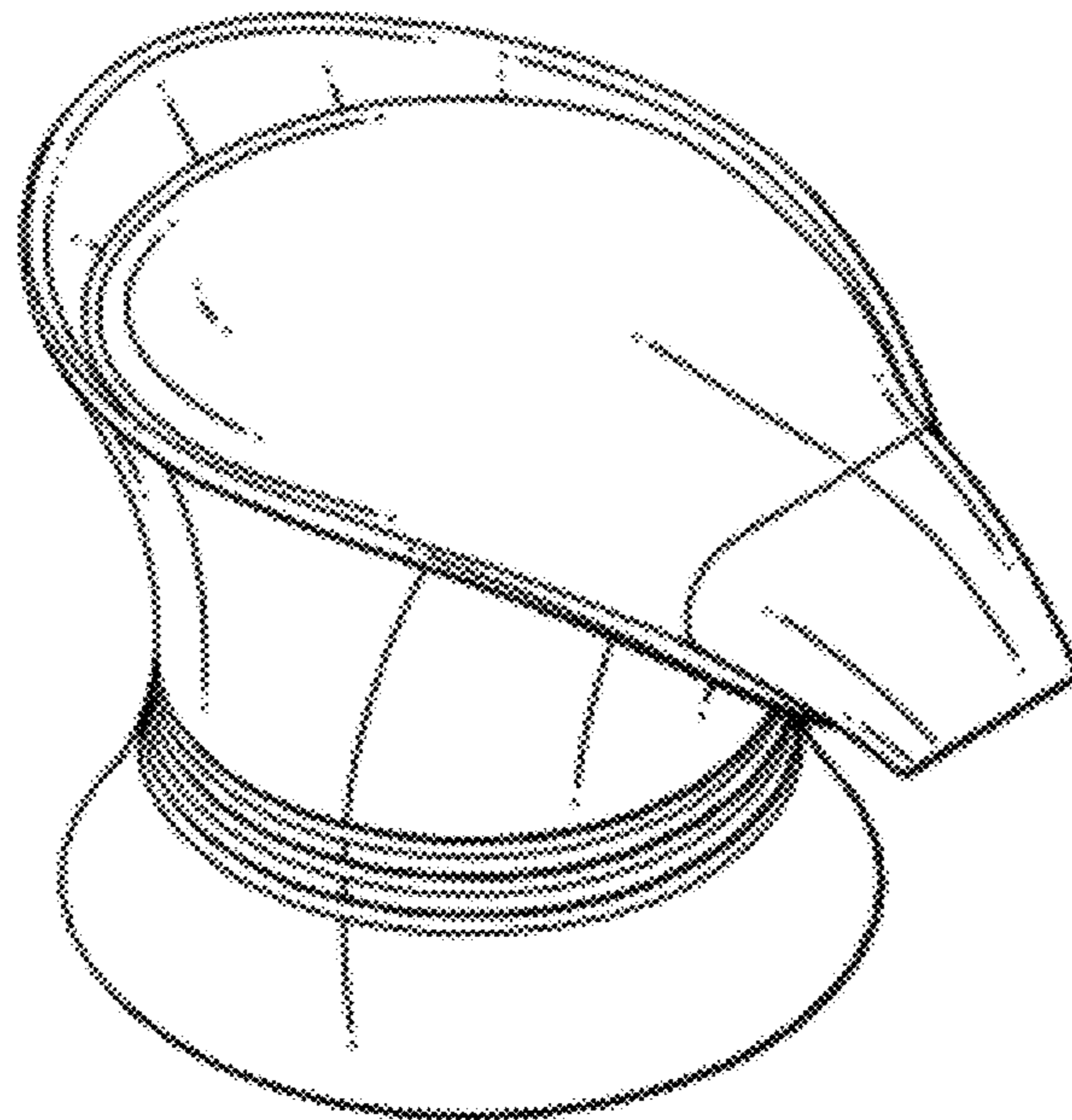


FIG. 1

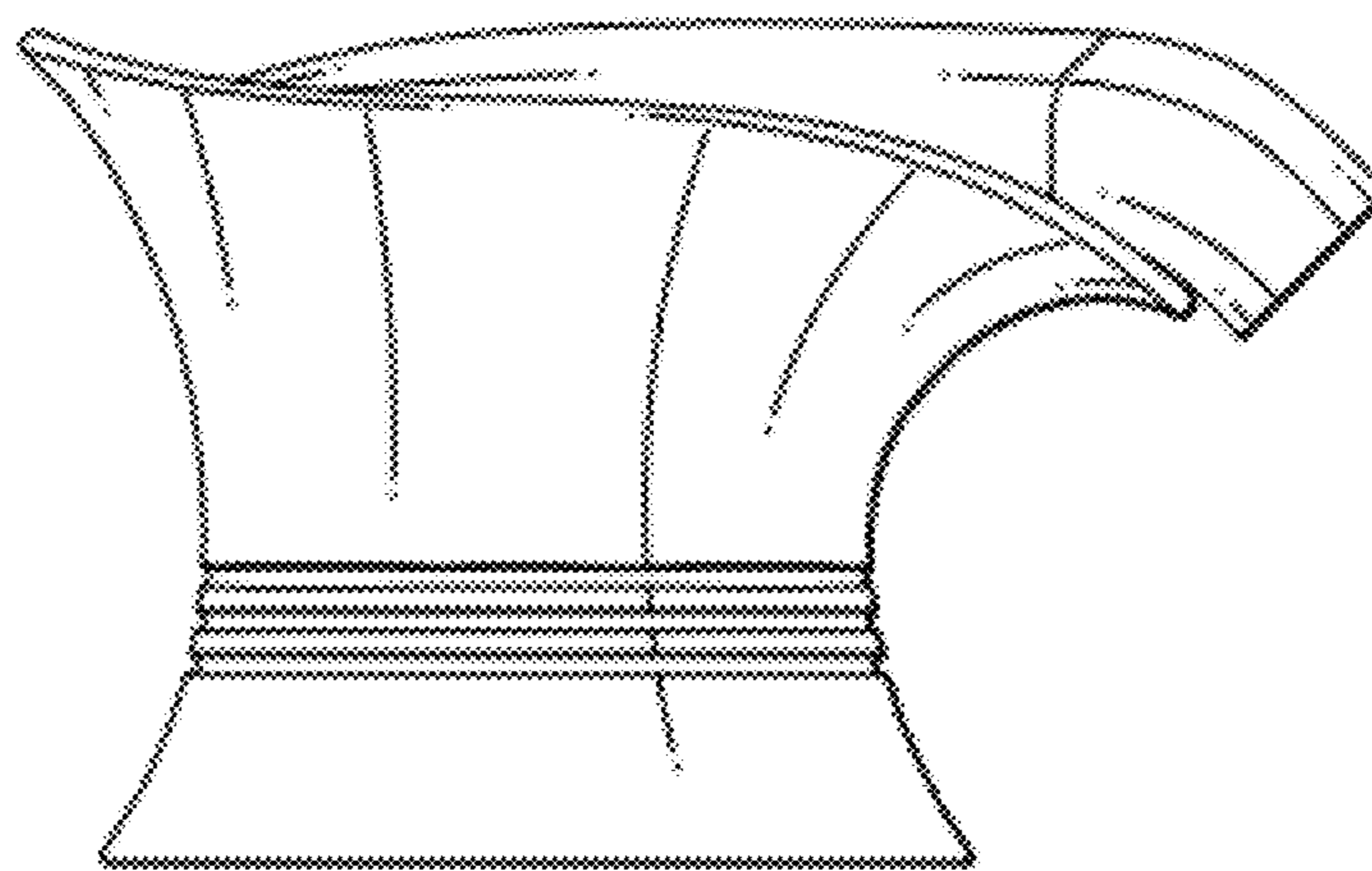


FIG. 2

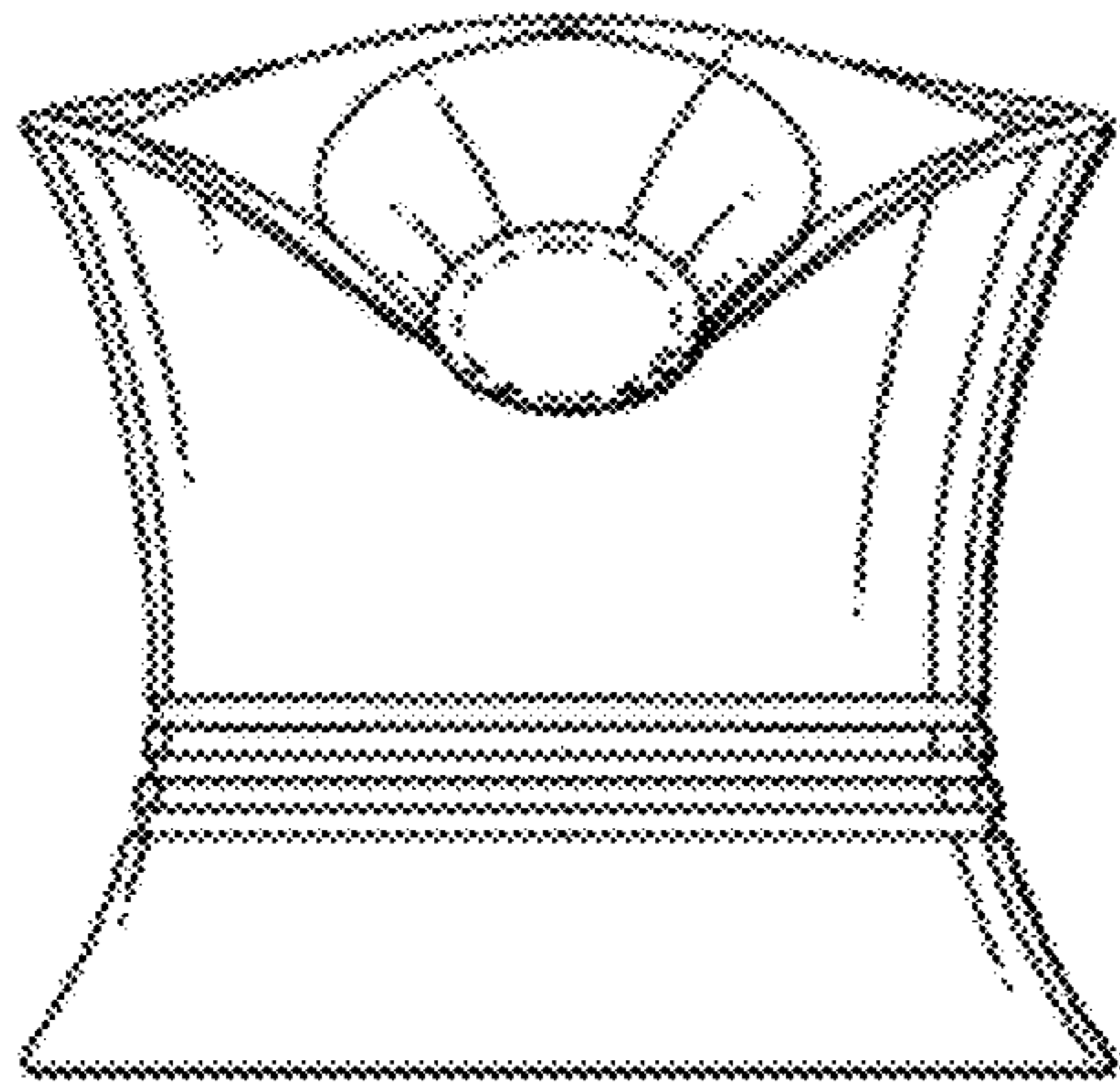


FIG. 3

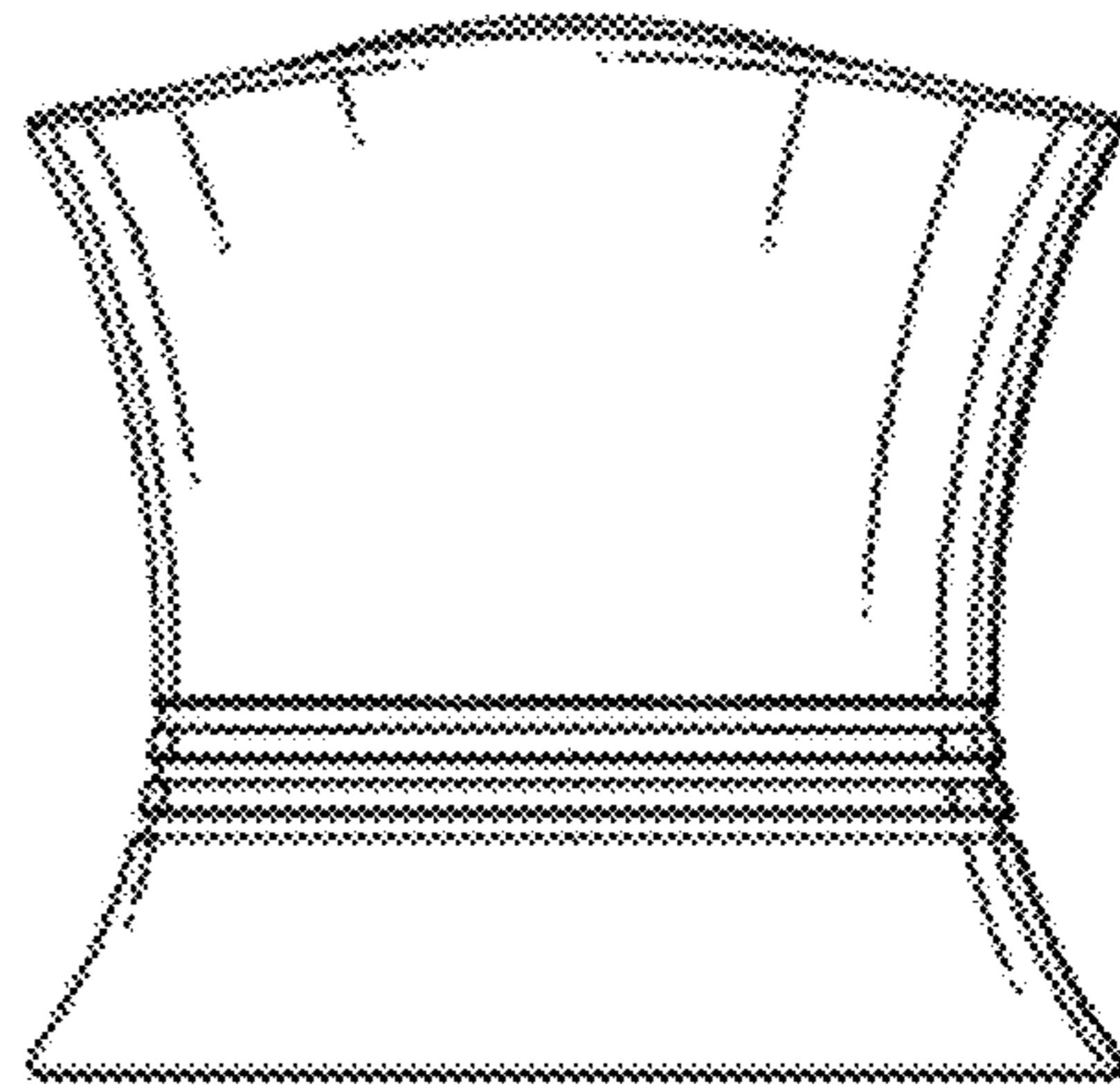


FIG. 4

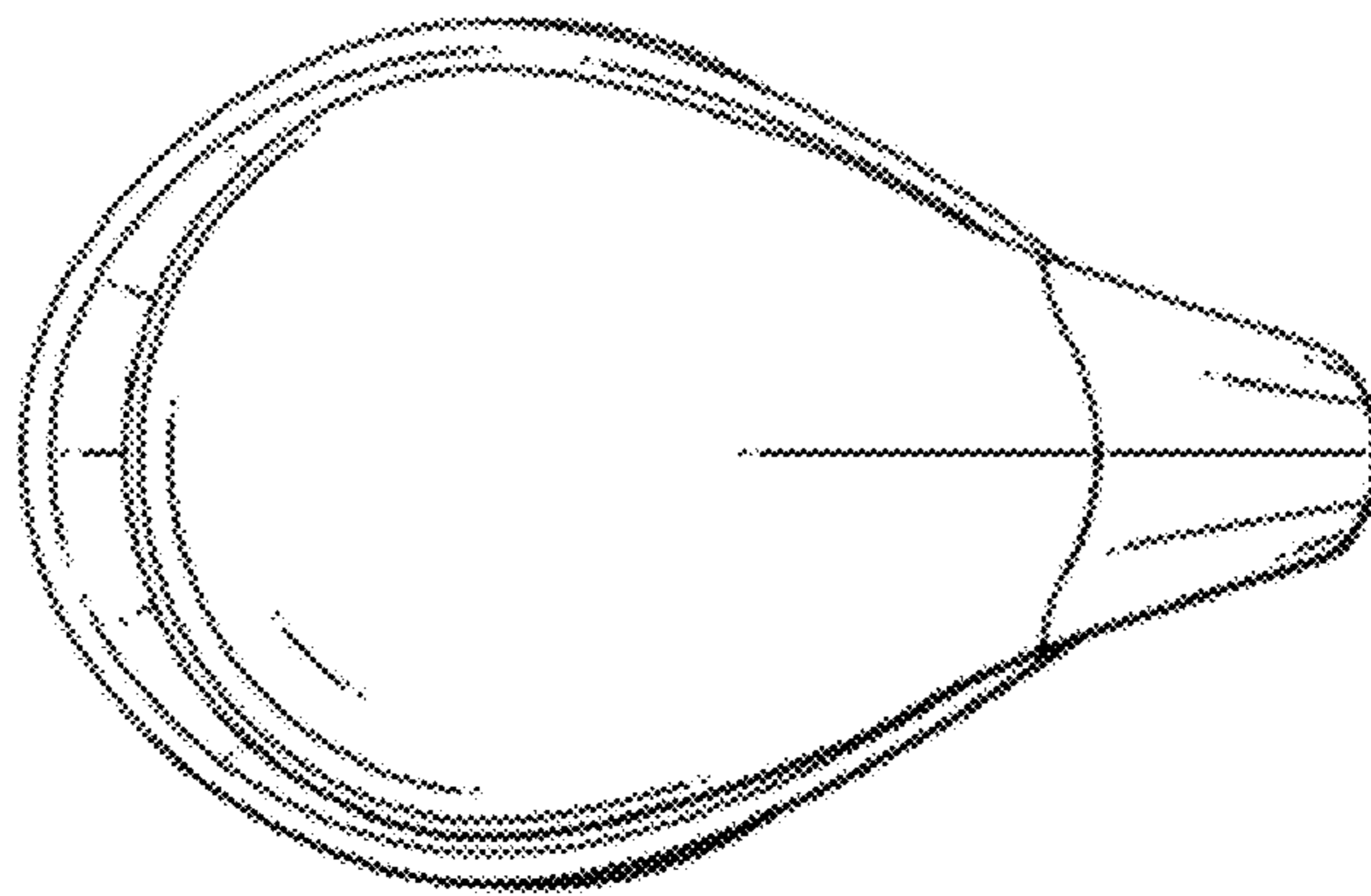


FIG. 5

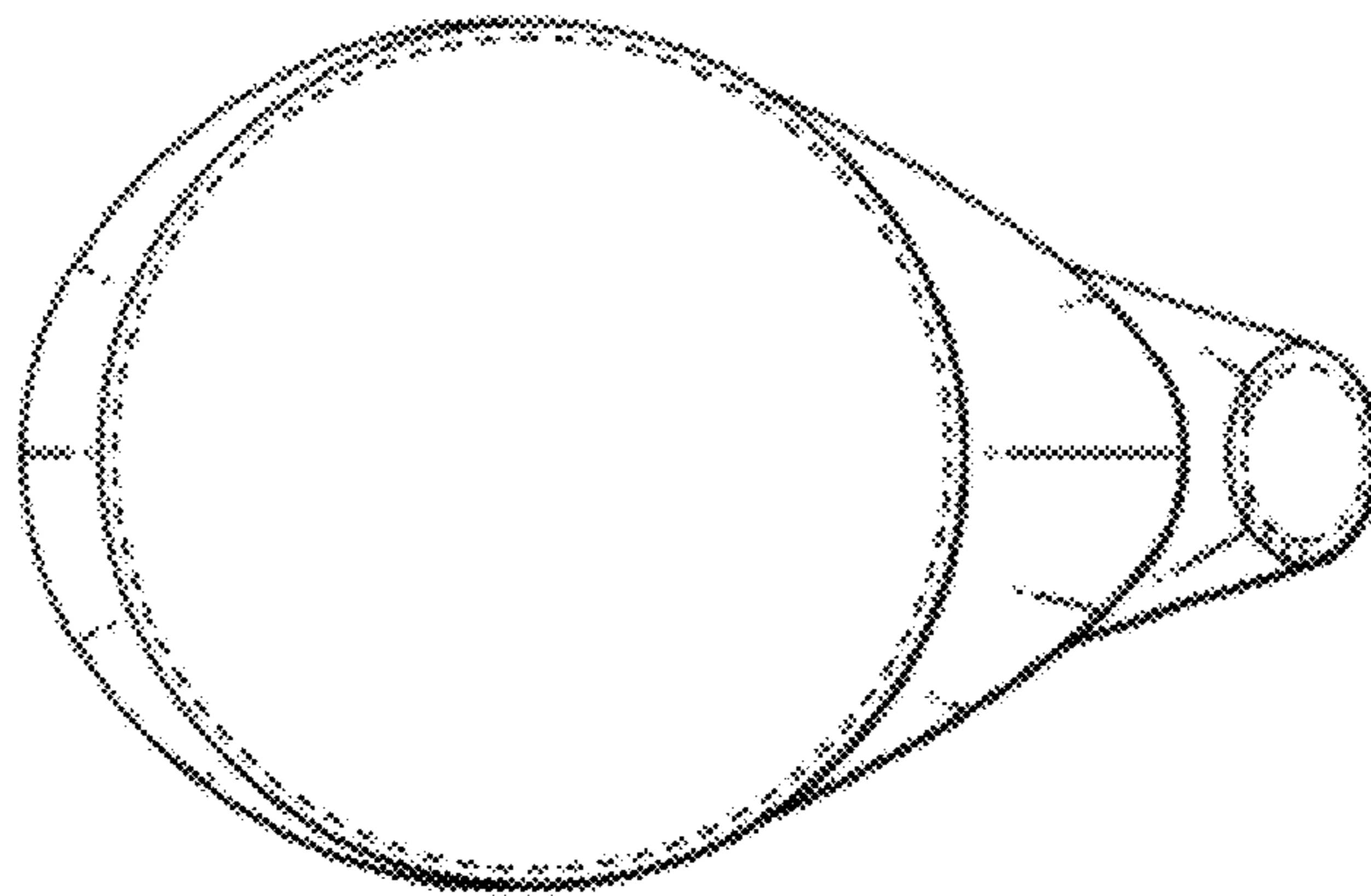


FIG. 6