

US00D663199S

(12) **United States Design Patent**
Althaus et al.

(10) **Patent No.:** **US D663,199 S**
(45) **Date of Patent:** **** Jul. 10, 2012**

(54) **CONTAINER**

(75) Inventors: **Lauren M. Althaus**, Cincinnati, OH (US); **Jason Patrick Shaw**, Middletown, OH (US); **Ian Andrew Carnduff**, New York, NY (US); **Paul Frank Diehl**, Brooklyn, NY (US); **Graham Clive Hufton**, New York, NY (US)

(73) Assignee: **The Gillette Company**, Boston, MA (US)

(**) Term: **14 Years**

(21) Appl. No.: **29/405,913**

(22) Filed: **Nov. 8, 2011**

D240,711 S	7/1976	Angleman
4,448,316 A	5/1984	Hiroshige
D325,348 S	4/1992	Bishop et al.
D337,044 S	7/1993	Pronchick
D339,527 S	9/1993	Tobler
D356,249 S	3/1995	Abfier et al.
D370,847 S	6/1996	Lamb
D373,083 S	8/1996	Das
D385,792 S	11/1997	Sayers et al.
D395,597 S	6/1998	Lamb
D407,644 S	4/1999	De Maillard et al.
D414,697 S	10/1999	Sayers
D419,877 S	2/2000	Sayers
D457,429 S	5/2002	Walters
D460,358 S	7/2002	Ciolino
D482,286 S	11/2003	Samson et al.
6,688,501 B2	2/2004	DeGroot et al.
D501,139 S	1/2005	Conway et al.
D512,310 S	12/2005	Hite

(Continued)

Related U.S. Application Data

(62) Division of application No. 29/362,597, filed on May 27, 2010, now Pat. No. Des. 650,671.

(51) **LOC (9) Cl.** **09-07**

(52) **U.S. Cl.** **D9/447; D9/445**

(58) **Field of Classification Search** D9/772,
D9/763, 690, 688, 686, 529, 516, 504, 449,
D9/448, 447, 445, 434; 222/557, 556, 402.13,
222/281; 220/377, 281
See application file for complete search history.

(56) **References Cited**

U.S. PATENT DOCUMENTS

D143,264 S	12/1945	Boe
D160,098 S	9/1950	Lodes
D165,072 S	11/1951	Helig
D177,796 S	5/1956	Collins
D225,731 S	1/1973	Louie

Primary Examiner — Susan Bennett Hattan

(74) *Attorney, Agent, or Firm* — Jay A. Krebs; Ronald T. Sia

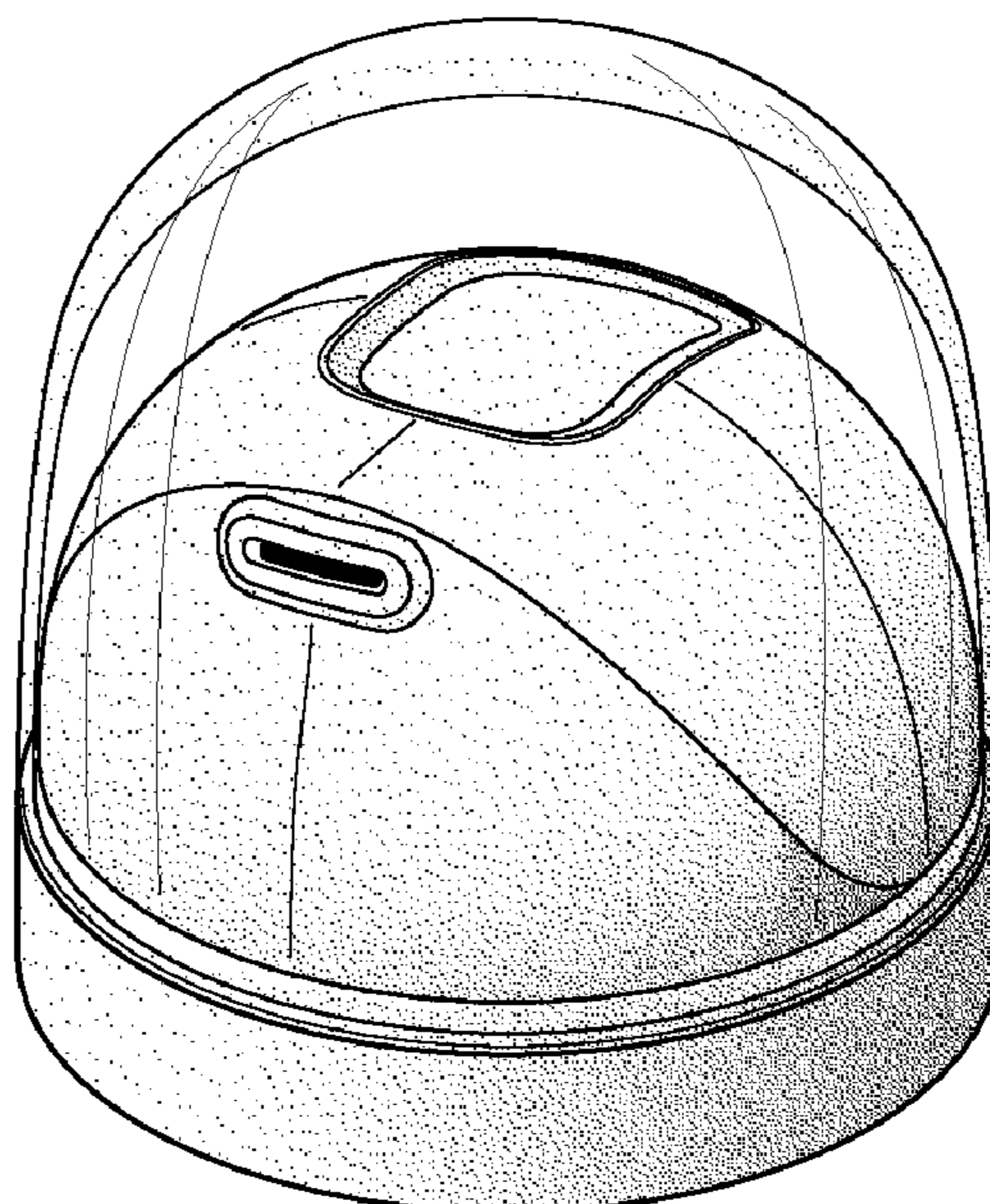
(57) **CLAIM**

The ornamental design for a container, as shown and described.

DESCRIPTION

FIG. 1 is a side elevational view of an ornamental appearance of container, in accordance with the present invention; FIG. 2 is a front view of the container of FIG. 1; FIG. 3 is rear view of the container of FIG. 1; FIG. 4 is a side planar view of the container of FIG. 1; FIG. 5 is another side planar view of the container of FIG. 1, opposite the side view shown in FIG. 4; FIG. 6 is a top planar view of the container of FIG. 1; and, FIG. 7 is a bottom planar view of the container of FIG. 1.

1 Claim, 4 Drawing Sheets



US D663,199 S

Page 2

U.S. PATENT DOCUMENTS

D530,622 S	10/2006	Geiberger	D627,663 S	11/2010	Kruetzkamp et al.	
D537,715 S	3/2007	Downey et al.	D630,093 S	1/2011	Bardet	
D541,654 S	5/2007	Pietrowski et al.	D632,588 S	2/2011	George	
D551,076 S	9/2007	Bloc	D642,916 S *	8/2011	Handy	D9/448
D565,947 S	4/2008	Downey et al.	D644,926 S *	9/2011	Davis et al.	D9/448
D612,747 S	3/2010	Ball	2002/0012565 A1	1/2002	Sima et al.	
D625,998 S	10/2010	Claassen				

* cited by examiner

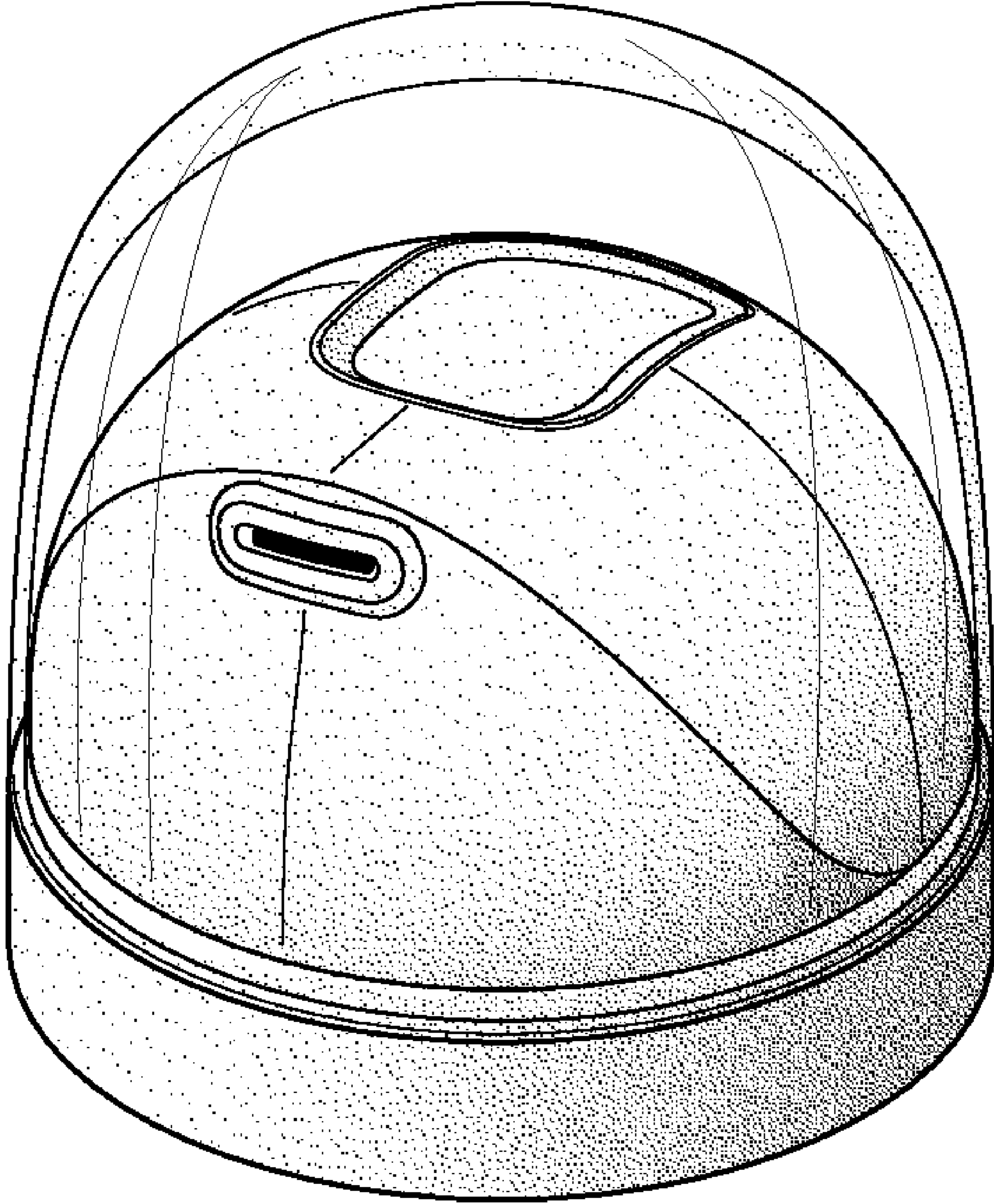


FIG. 1

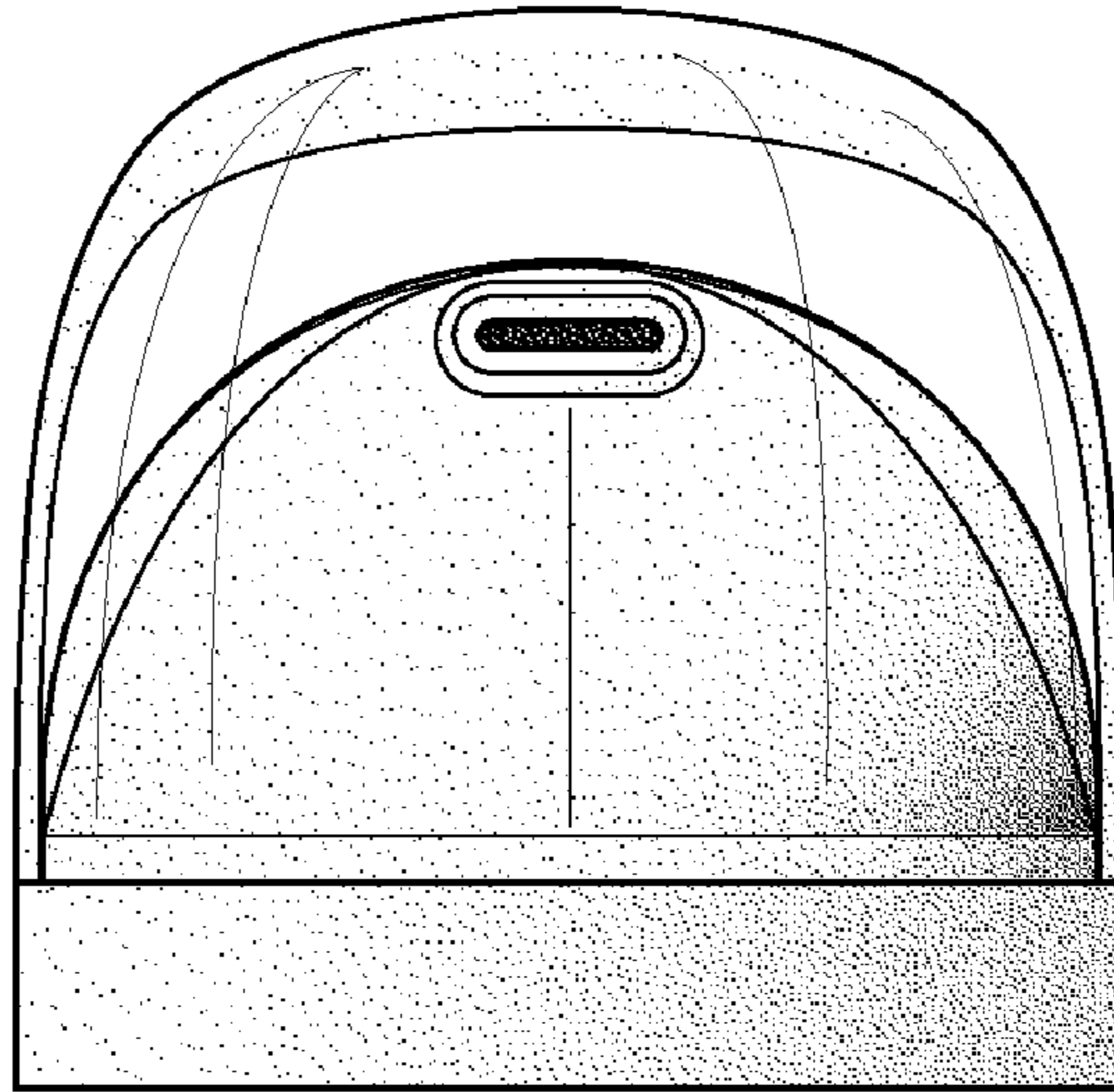


FIG. 2

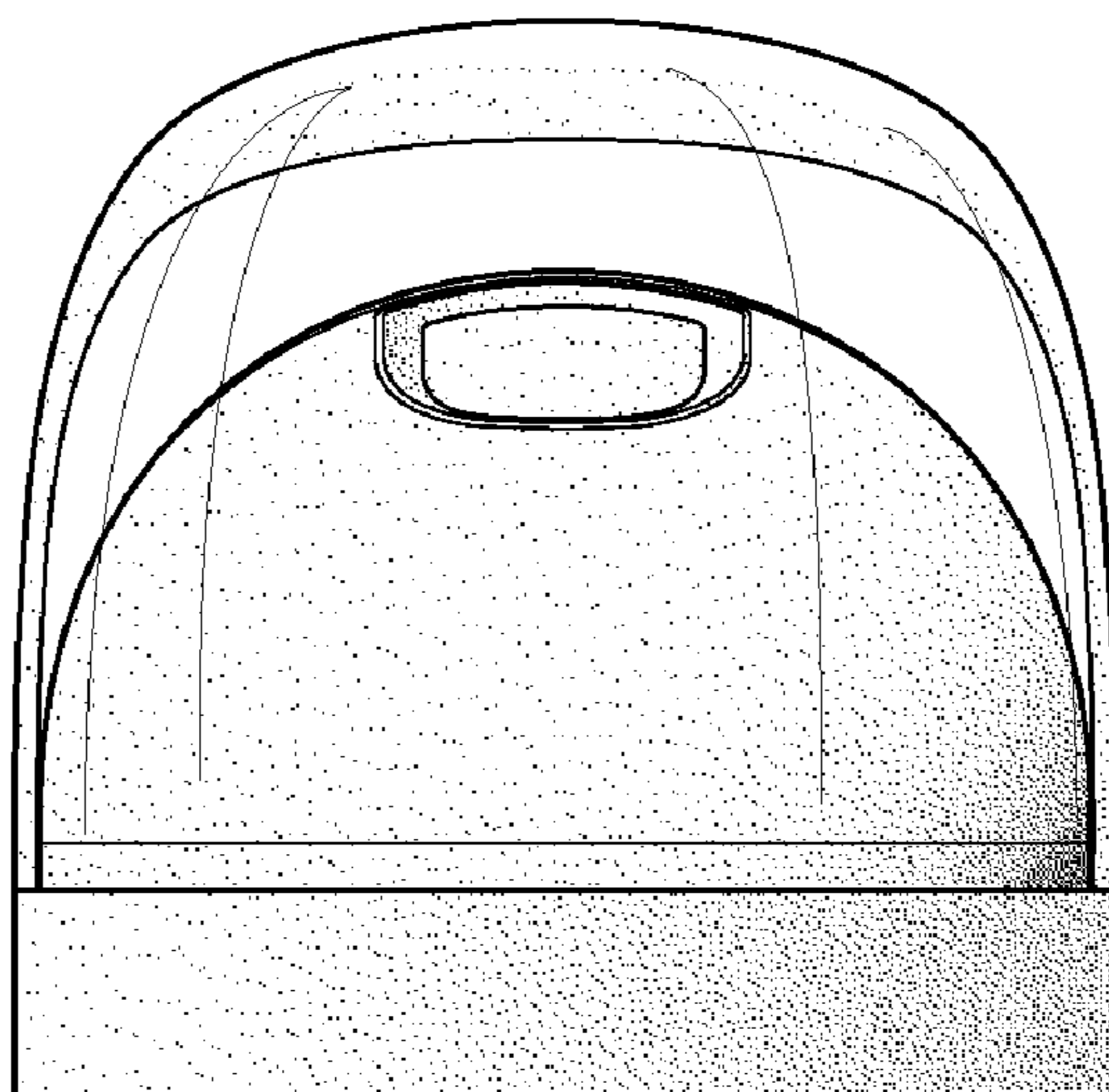


FIG. 3

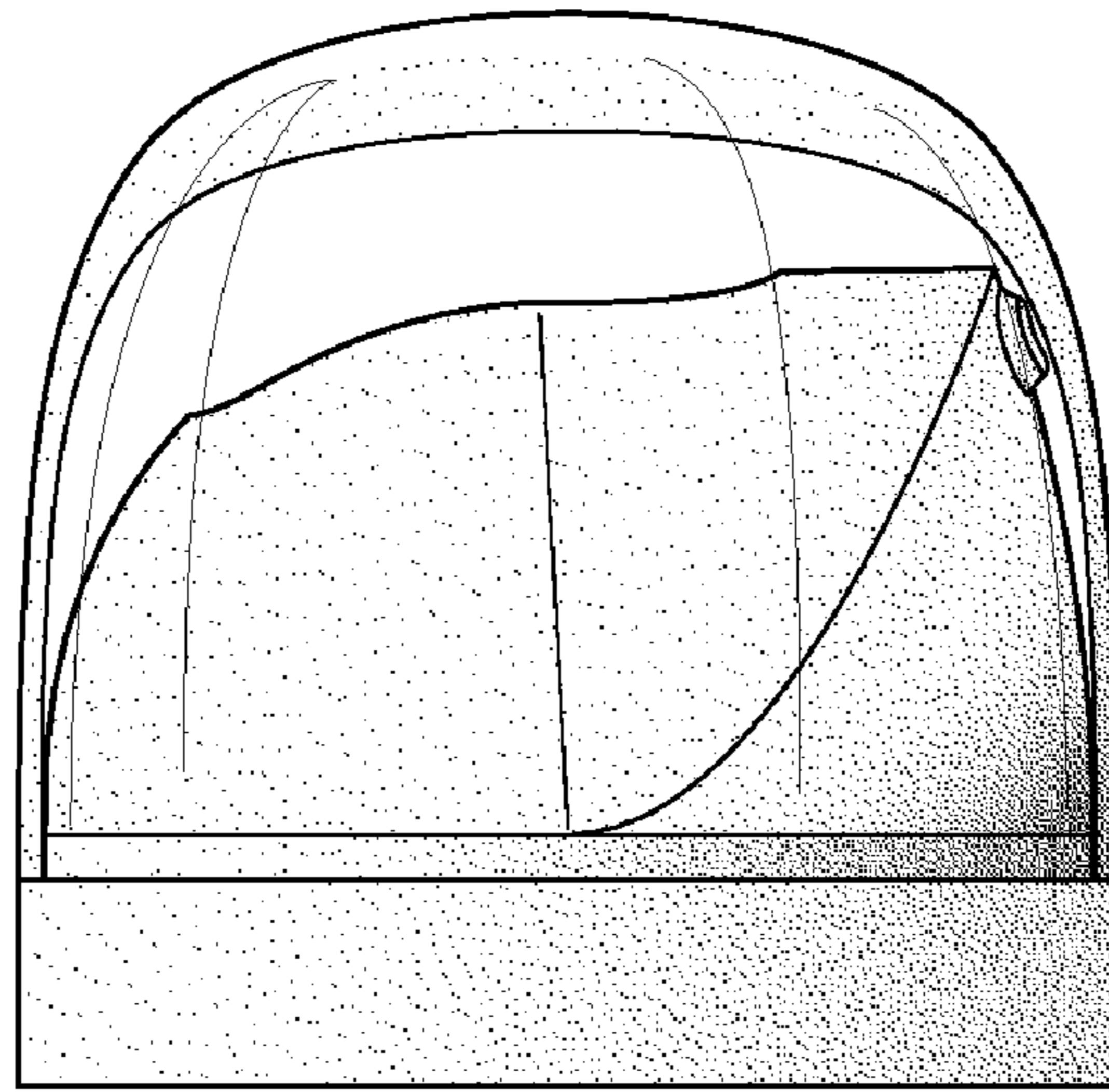


FIG. 4

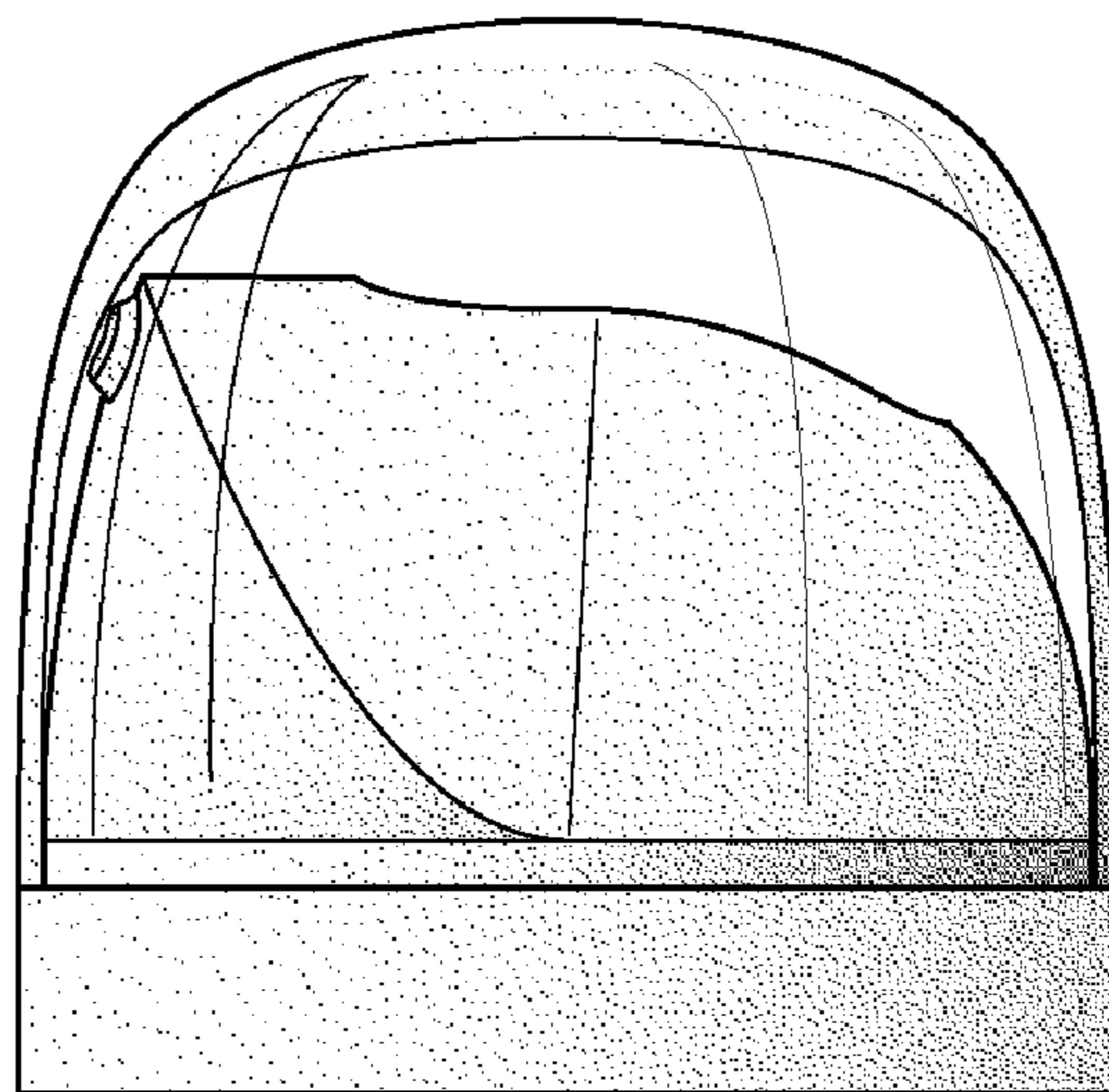


FIG. 5

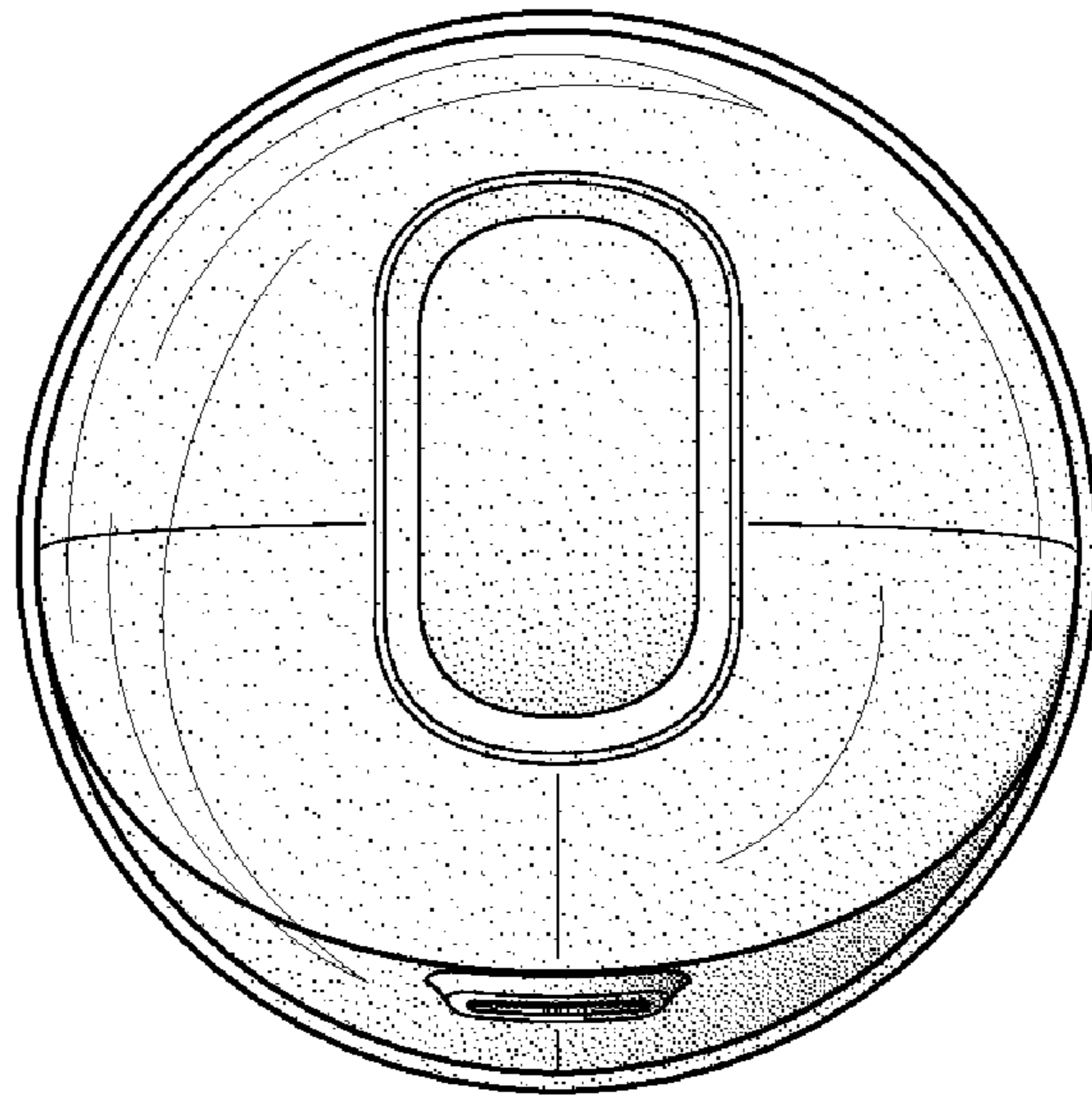


FIG. 6

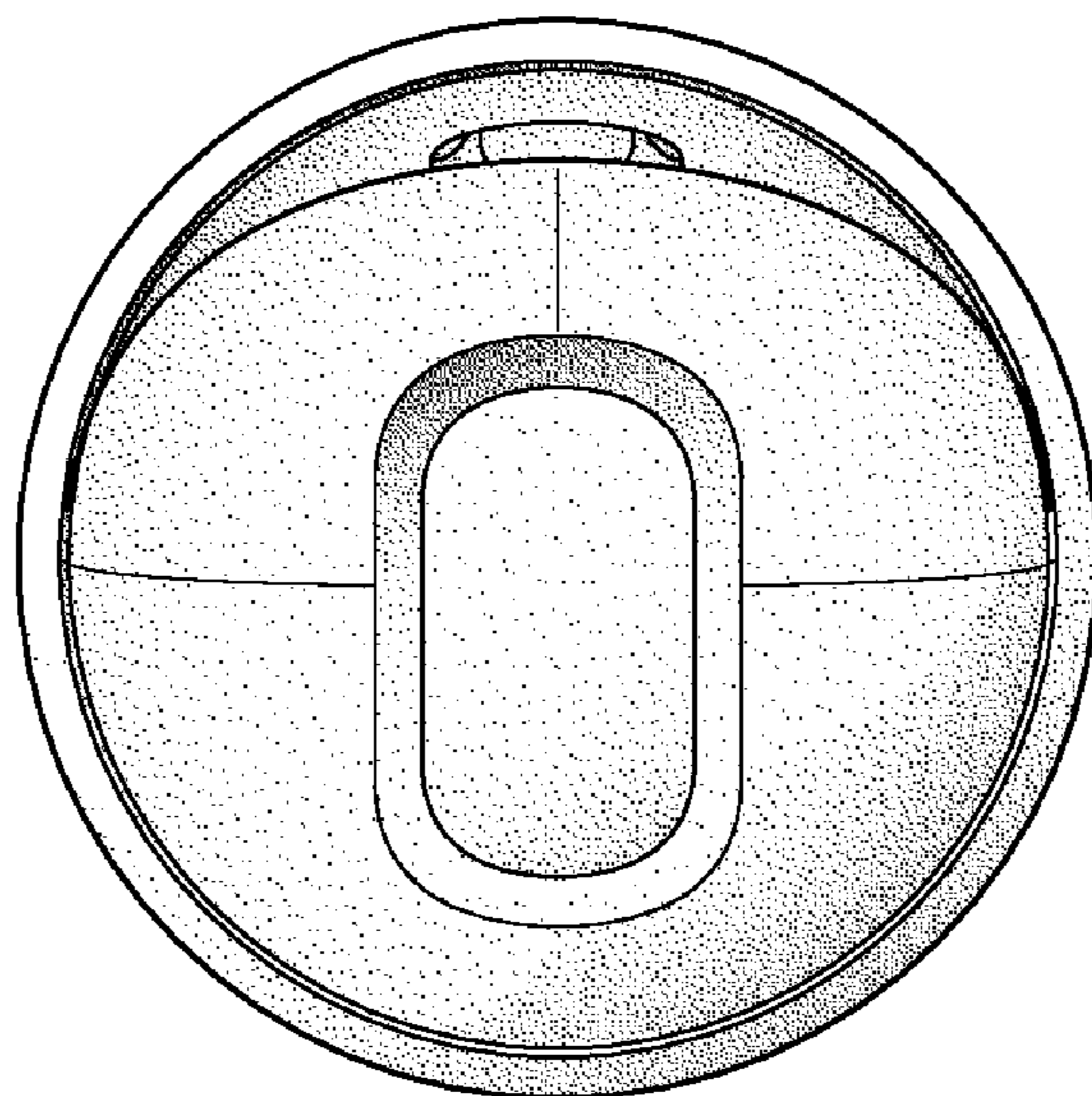


FIG. 7