

US00D663196S

(12) **United States Design Patent**
Bohnet et al.

(10) **Patent No.:** **US D663,196 S**
(45) **Date of Patent:** **** Jul. 10, 2012**

(54) **ANCHOR SLEEVE**
(75) Inventors: **Hartmut Bohnet**, Waldachtal (DE);
Mathias Haag, Haiterbach (DE);
Jochen Kaupp, Waldachtal (DE);
Roland Unterweger, Pfalzgrafenweiler
(DE)

6,309,155 B1 * 10/2001 Huang 411/61
6,361,239 B1 * 3/2002 Parikh et al. 403/282
6,712,572 B2 * 3/2004 Bisping et al. 411/60.1
D491,452 S 6/2004 Siemens
6,942,439 B2 * 9/2005 Rouger 411/61
D628,056 S 11/2010 Busch
D630,937 S 1/2011 Busch
8,087,204 B1 * 1/2012 Sorkin 52/223.13
2005/0089384 A1 4/2005 Pratt

(73) Assignee: **Fischerwerke GmbH & Co. KG** (DE)

FOREIGN PATENT DOCUMENTS

(**) Term: **14 Years**

CN 2821010 9/2006
CN 2821011 9/2006
CN 200920352329 10/2010

(21) Appl. No.: **29/404,704**

* cited by examiner

(22) Filed: **Oct. 25, 2011**

Primary Examiner — Sheryl Lane

(51) **LOC (9) Cl.** **08-08**

(74) *Attorney, Agent, or Firm* — Renner, Otto, Boisselle & Sklar, LLP

(52) **U.S. Cl.** **D8/387**

(58) **Field of Classification Search** D8/387,

D8/382, 385, 388; 52/223.13, 223.14, 704;
411/61, 60.1, 55, 60.2

See application file for complete search history.

(57) **CLAIM**

The ornamental design for an anchor sleeve, as shown and described.

(56) **References Cited**

U.S. PATENT DOCUMENTS

D34,031 S 2/1901 Milliban
D106,861 S 11/1937 Dellinger
D217,118 S 4/1970 Thake
4,692,076 A * 9/1987 Herb 411/55
4,720,224 A * 1/1988 Peterken 411/36
4,801,230 A * 1/1989 Wilburn 411/61
4,978,265 A * 12/1990 De Wan 411/80.2
5,562,377 A 10/1996 Giannuzzi et al.
D388,316 S * 12/1997 McDonough et al. D8/387
6,135,687 A 10/2000 Leek et al.
D437,209 S * 2/2001 McDonough et al. D8/387
6,185,886 B1 * 2/2001 Gruen et al. 52/223.13

DESCRIPTION

FIG. 1 is a perspective view of an anchor sleeve showing our new design.

FIG. 2 is a front view thereof.

FIG. 3 is a back view thereof.

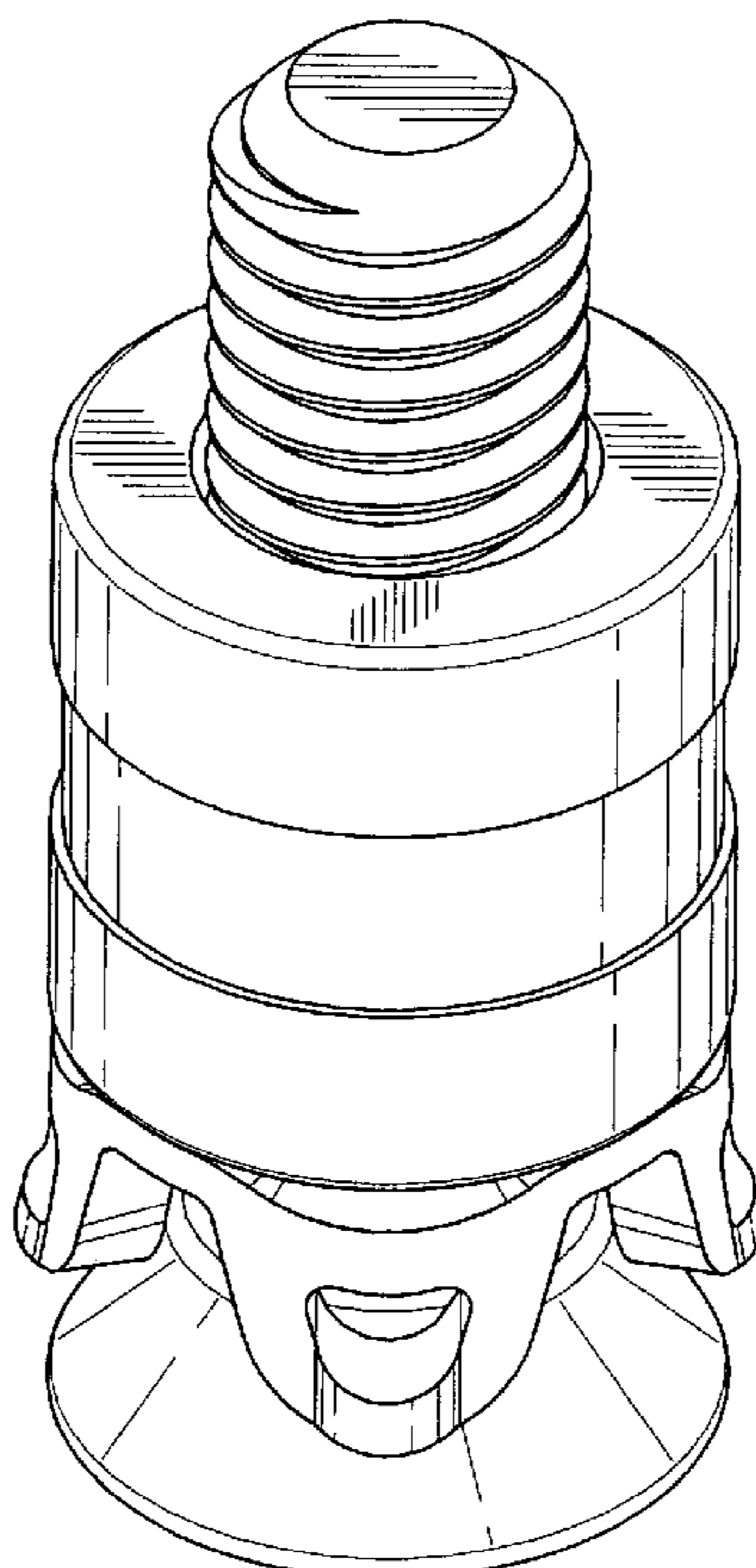
FIG. 4 is a side view of the left side thereof.

FIG. 5 is a side view of the right side thereof.

FIG. 6 is a bottom view thereof; and,

FIG. 7 is a top view thereof.

1 Claim, 4 Drawing Sheets



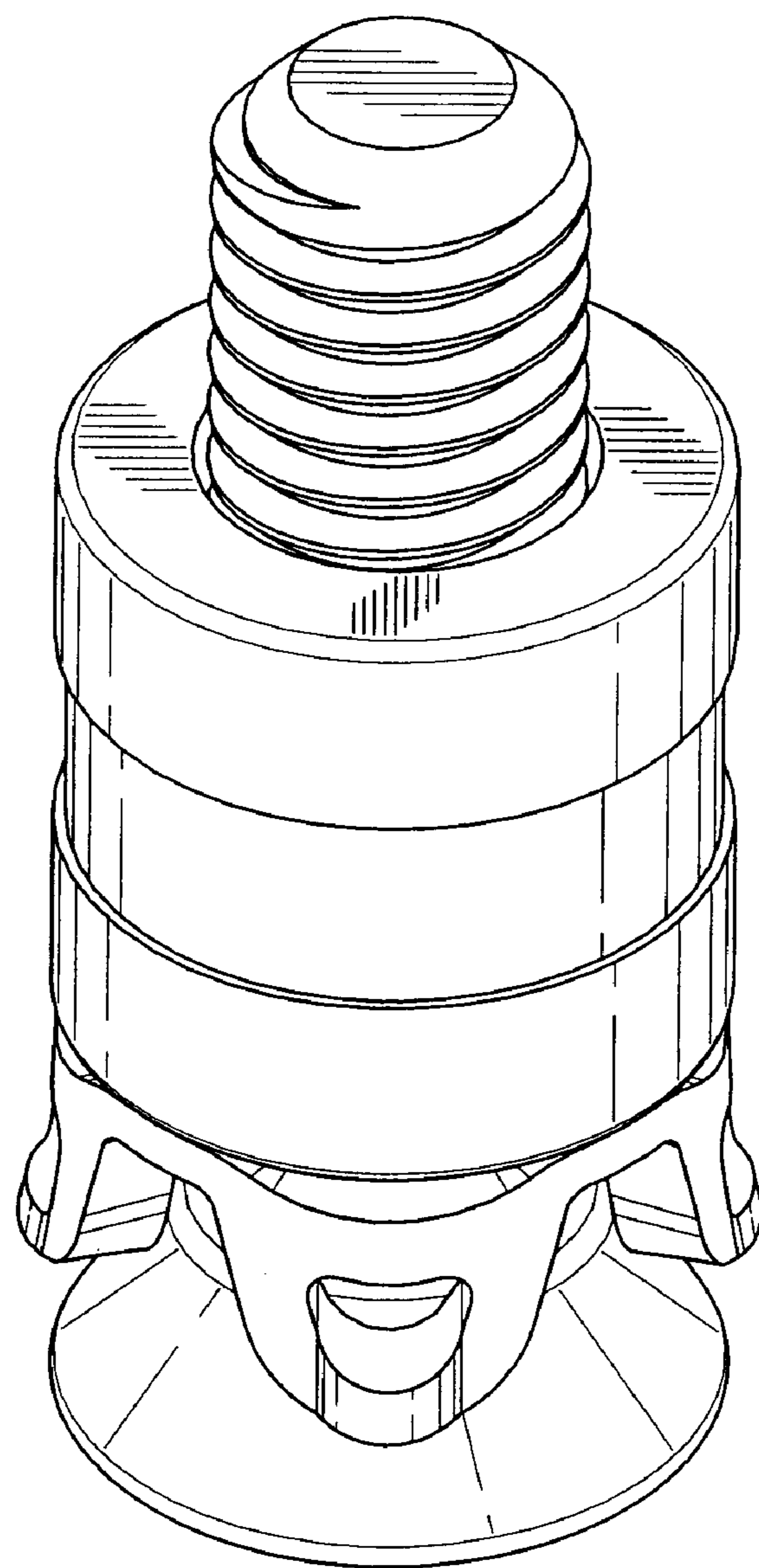


FIG. 1

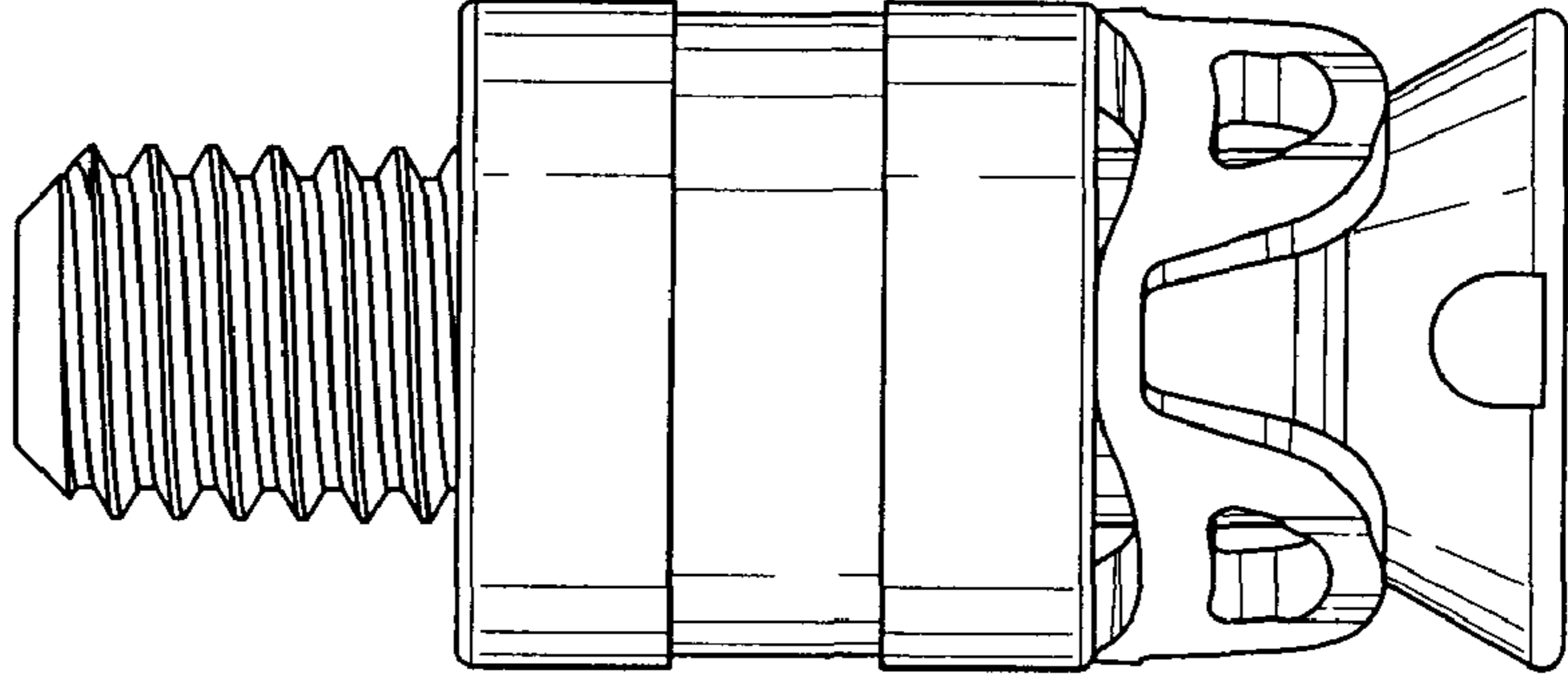


FIG. 2

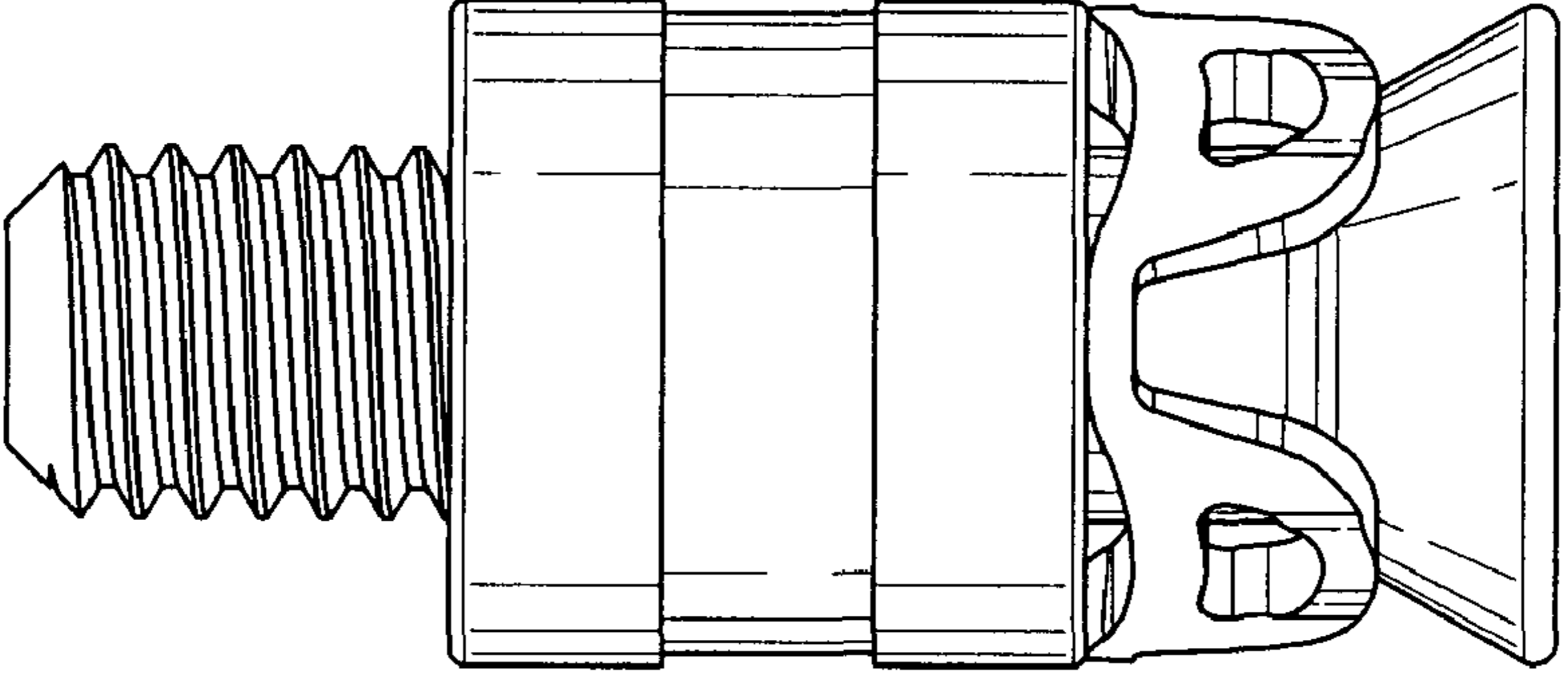


FIG. 3

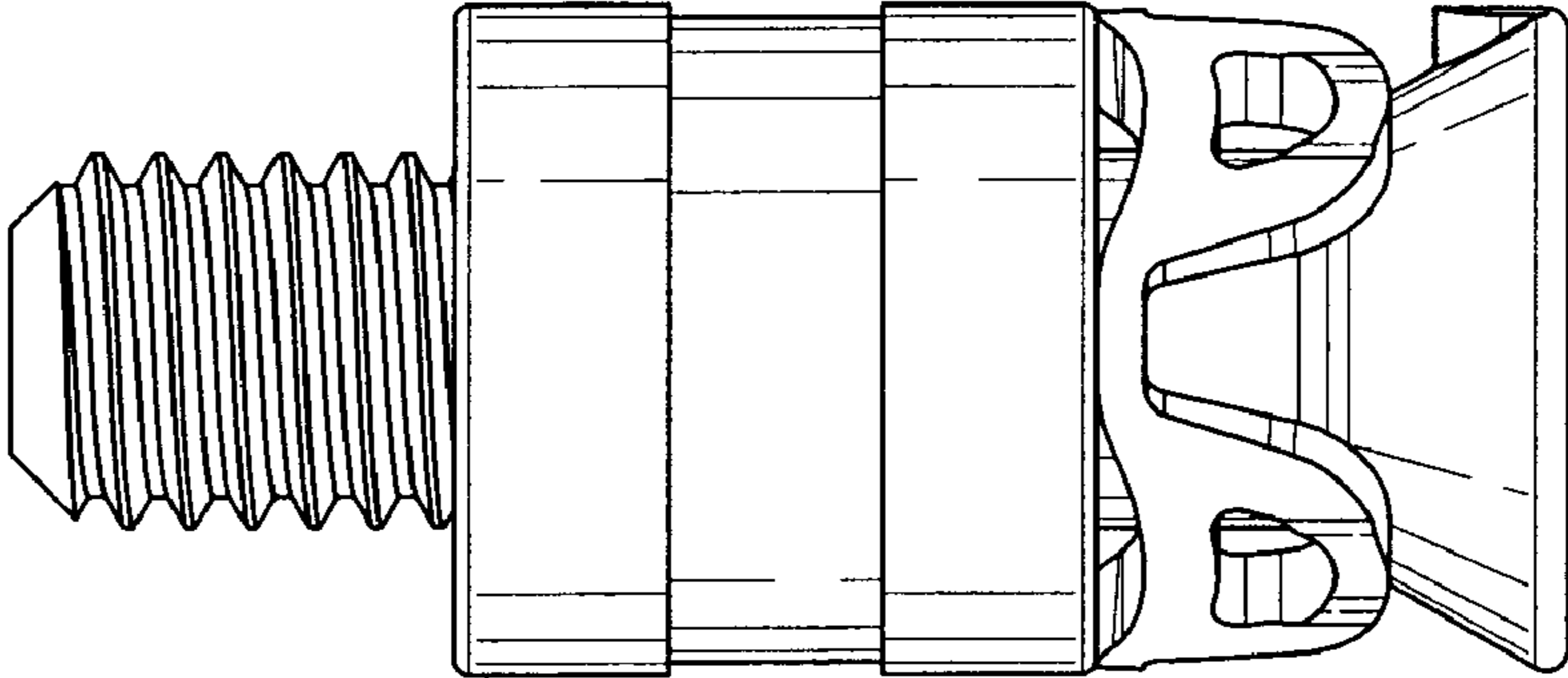


FIG. 5

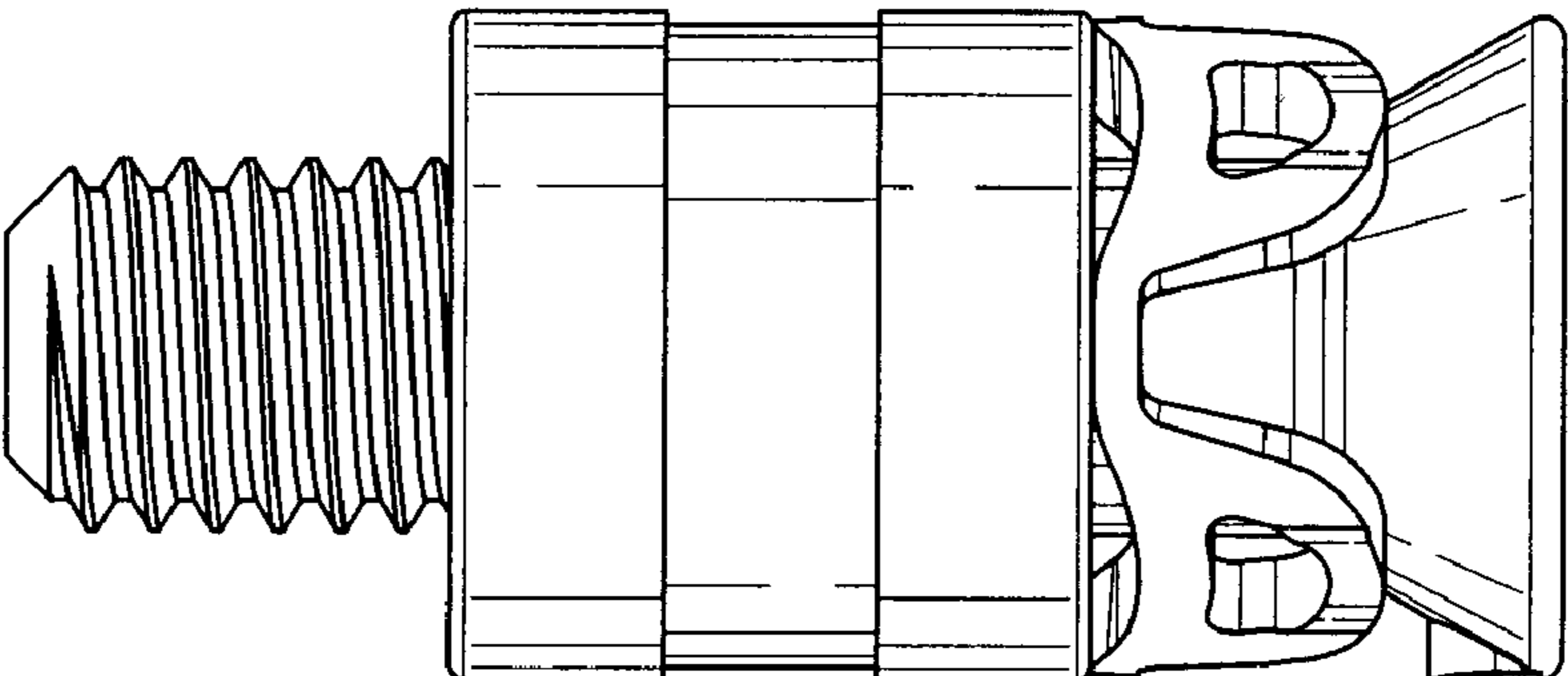


FIG. 4

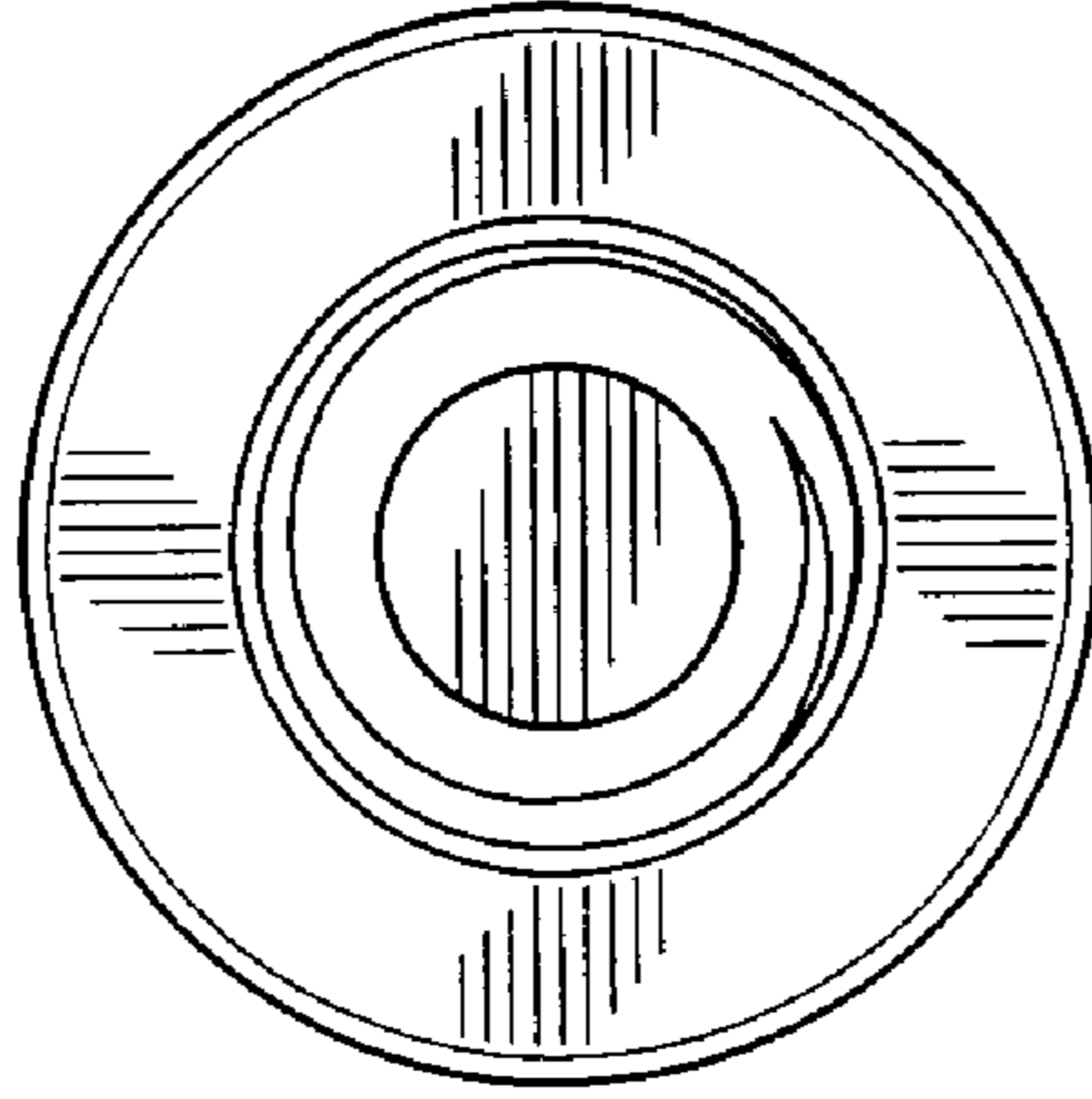


FIG. 7

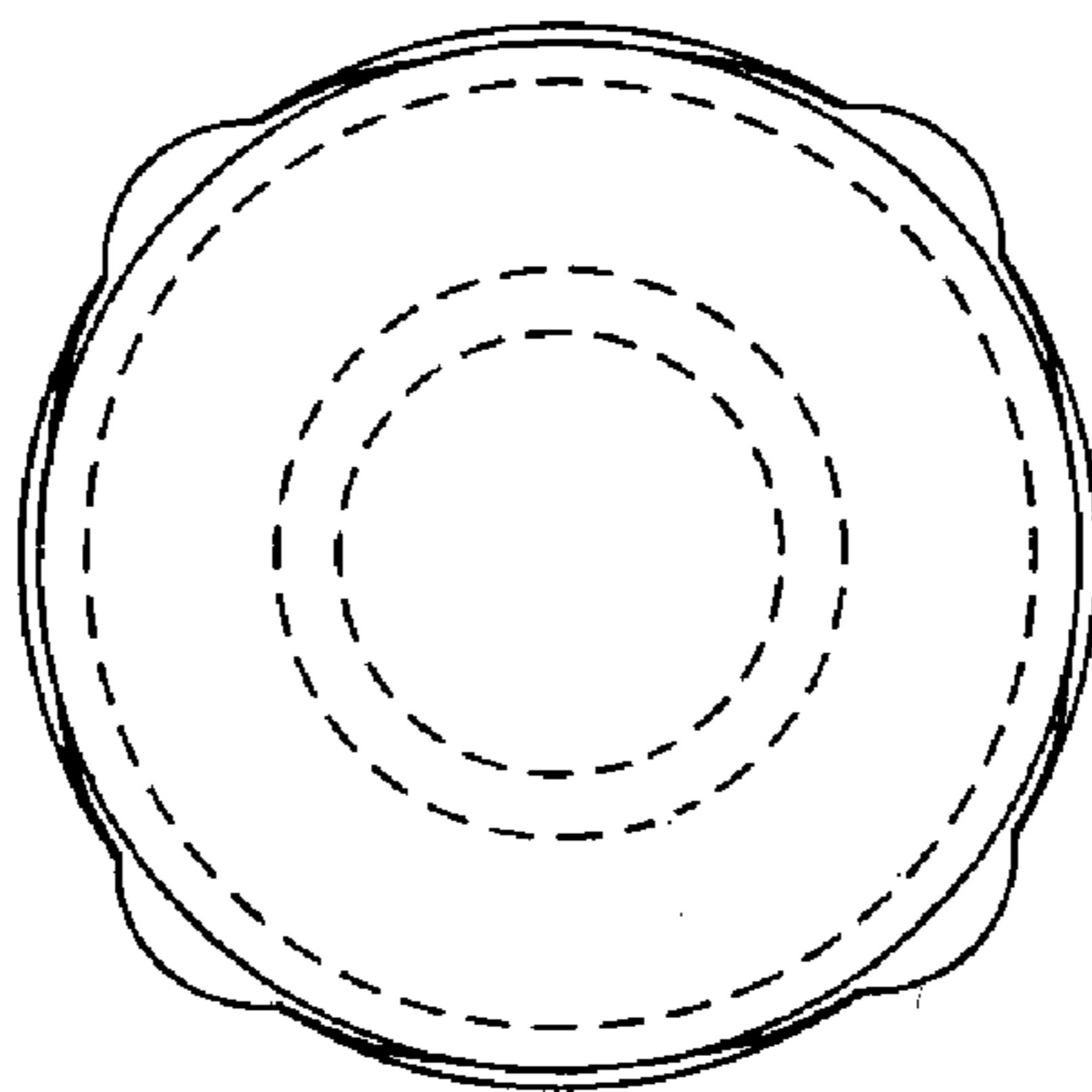


FIG. 6