



US00D663194S

(12) **United States Design Patent**
Obolewicz

(10) **Patent No.:** **US D663,194 S**

(45) **Date of Patent:** **** Jul. 10, 2012**

(54) **SWIVEL**

(76) **Inventor:** **Michael D. Obolewicz**, Gilbert, AZ (US)

(**) **Term:** **14 Years**

(21) **Appl. No.:** **29/370,251**

(22) **Filed:** **Jun. 21, 2010**

(51) **LOC (9) Cl.** **08-08**

(52) **U.S. Cl.** **D8/382**

(58) **Field of Classification Search** D8/382,
D8/349; D23/262-263; 403/403, 405.1,
403/205, 292, 170-172, 231, 55, 60, 78,
403/127, 323; D24/129

See application file for complete search history.

(56) **References Cited**

U.S. PATENT DOCUMENTS

D252,365 S *	7/1979	Durham, III	D8/382
D273,087 S *	3/1984	Johnson et al.	D8/382
D293,708 S *	1/1988	Shames et al.	D23/230
D357,734 S *	4/1995	Mongeon	D24/129
D358,469 S *	5/1995	Mongeon	D24/129
D369,958 S *	5/1996	Huang et al.	D8/387
D429,627 S *	8/2000	Gradwell	D8/382

D430,482 S *	9/2000	Stout, Jr.	D8/382
D485,159 S *	1/2004	Junkers	D8/382
D546,665 S *	7/2007	Medlin	D8/382
7,377,712 B1 *	5/2008	Johnson	403/78
D638,918 S *	5/2011	Grether	D23/263

* cited by examiner

Primary Examiner — Sheryl Lane

(74) *Attorney, Agent, or Firm* — Tod R. Nissle, P.C.

(57) **CLAIM**

The ornamental design for a swivel, as shown and described.

DESCRIPTION

FIG. 1 is a perspective view showing my new design with the upper parallel extrusion wing pairs staggered with respect to the lower parallel extrusion wings.

FIG. 2 is a bottom view thereof with the upper parallel extrusion wing pairs in line with the lower parallel extrusion wings;

FIG. 3 is a left hand side view thereof;

FIG. 4 is a top view thereof;

FIG. 5 is a right hand side view thereof;

FIG. 6 is a rear view thereof; and,

FIG. 7 is a front view thereof.

1 Claim, 2 Drawing Sheets

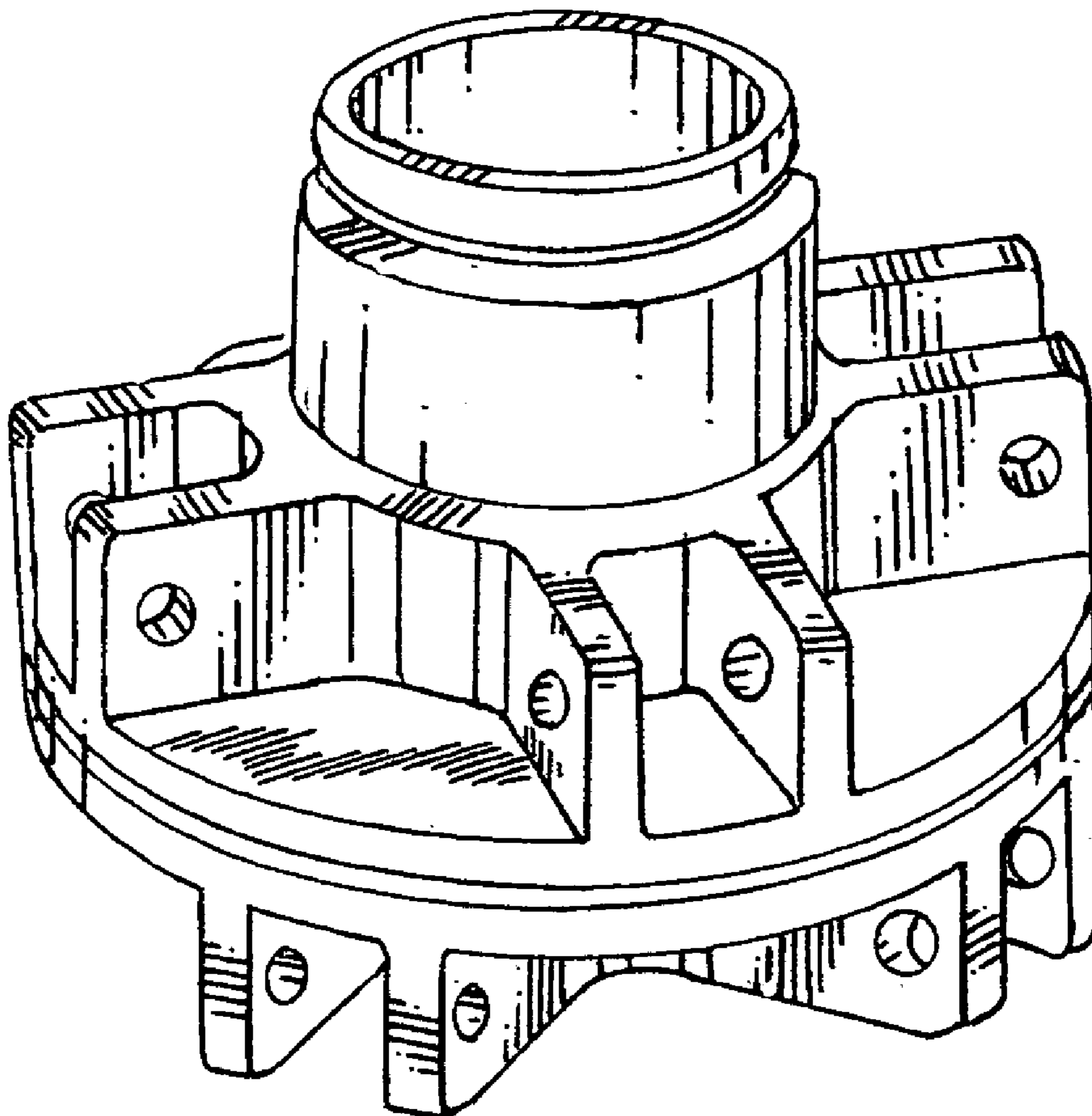


FIG. 1

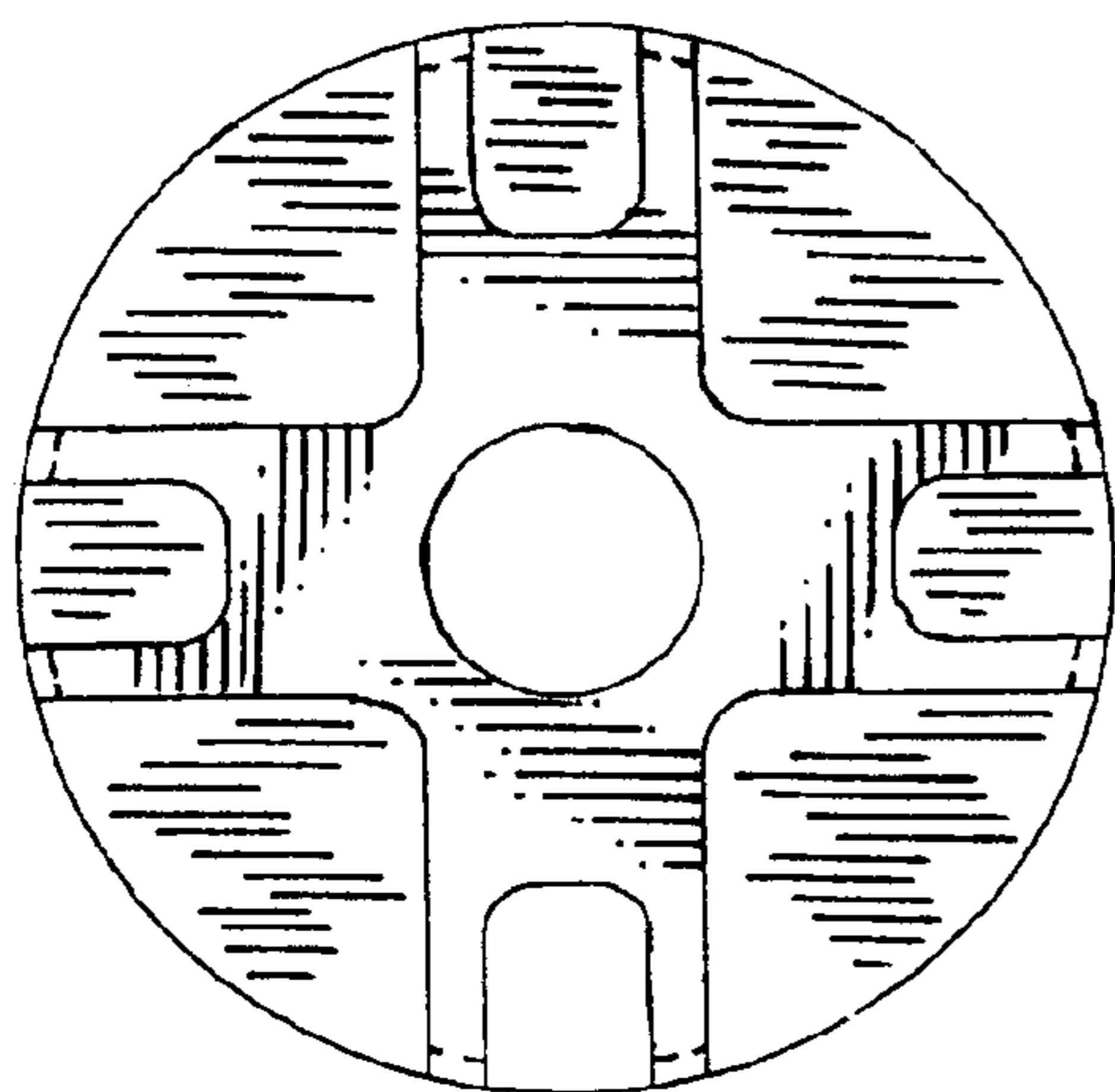
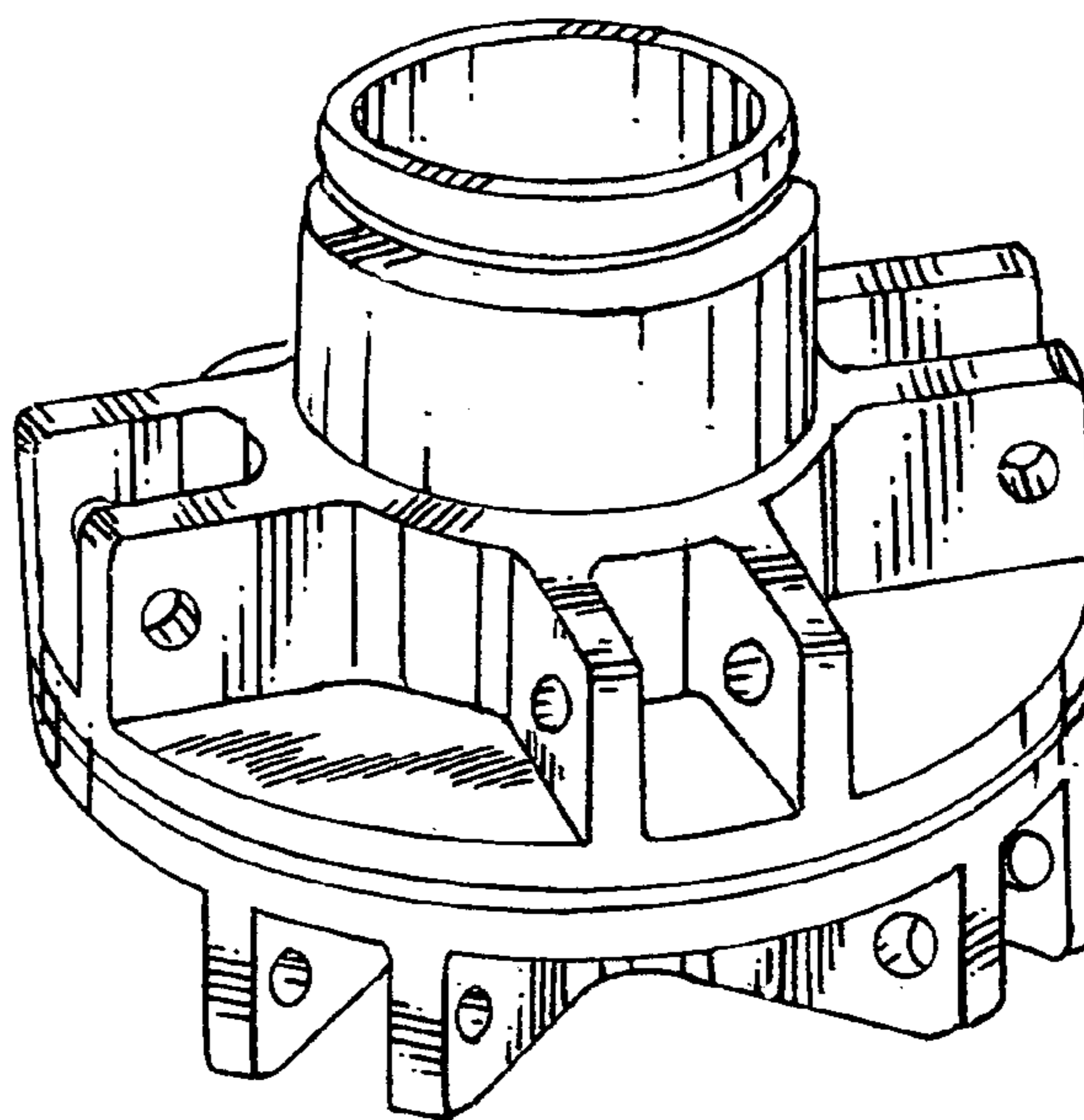
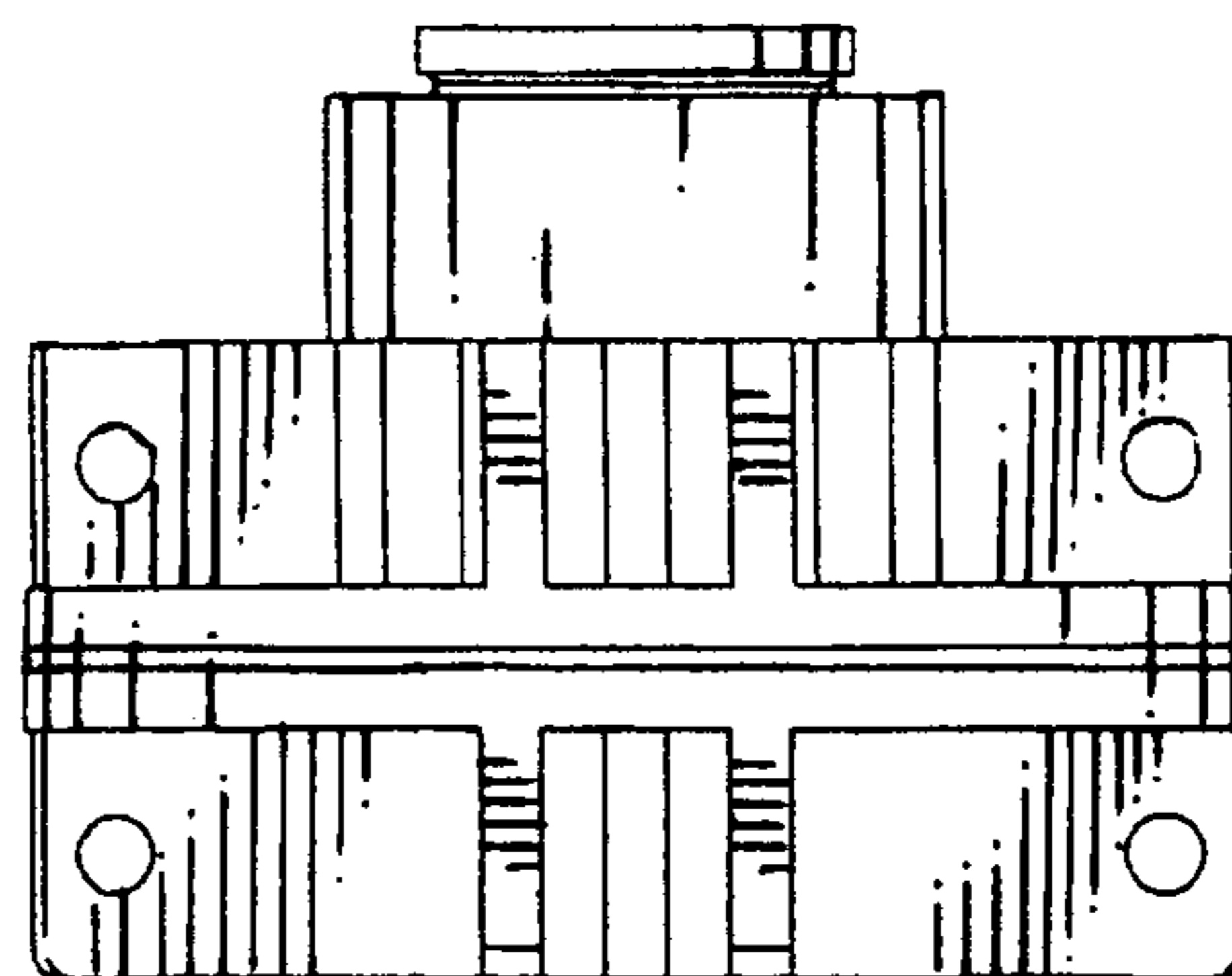


FIG. 2

FIG. 3



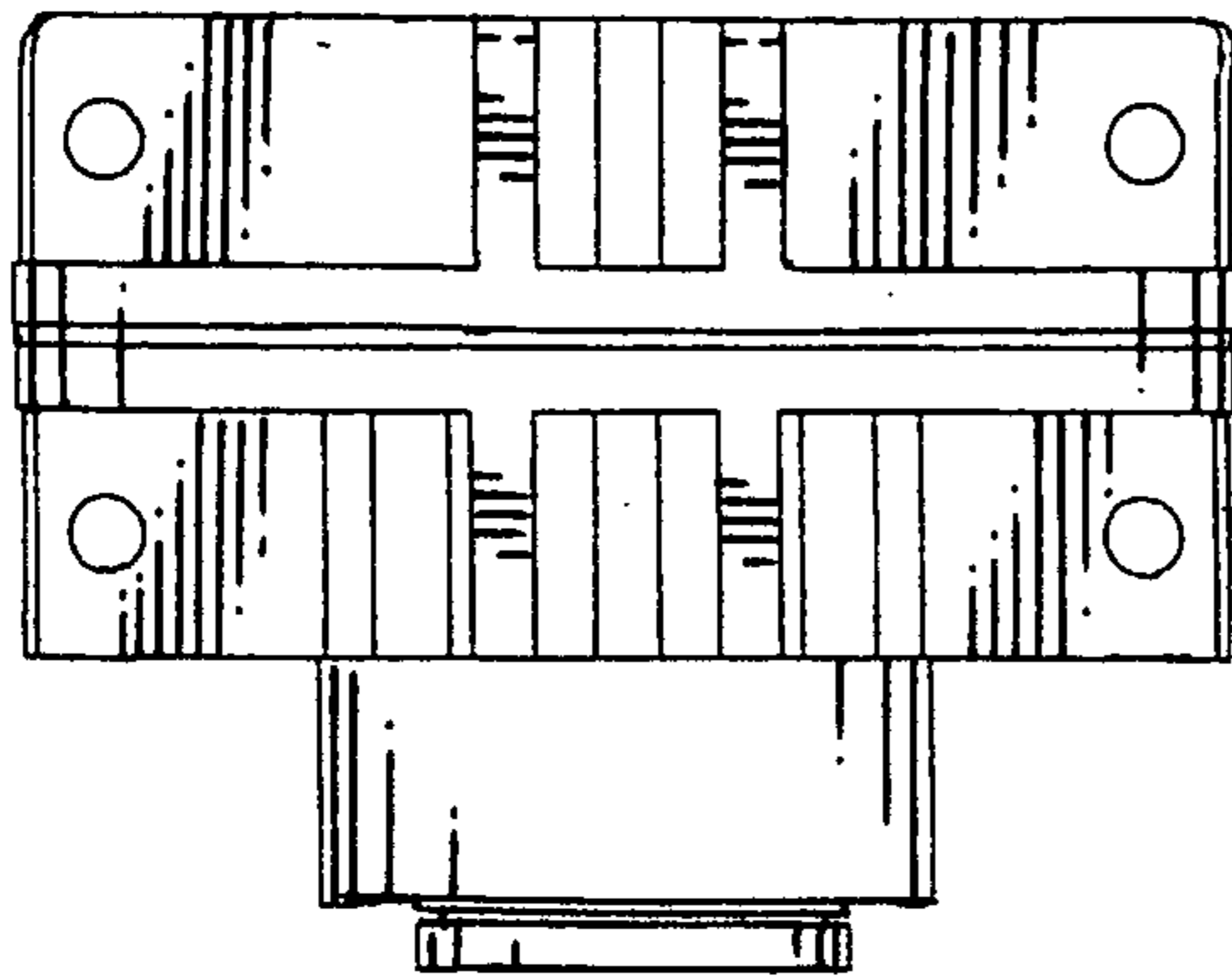


FIG. 5

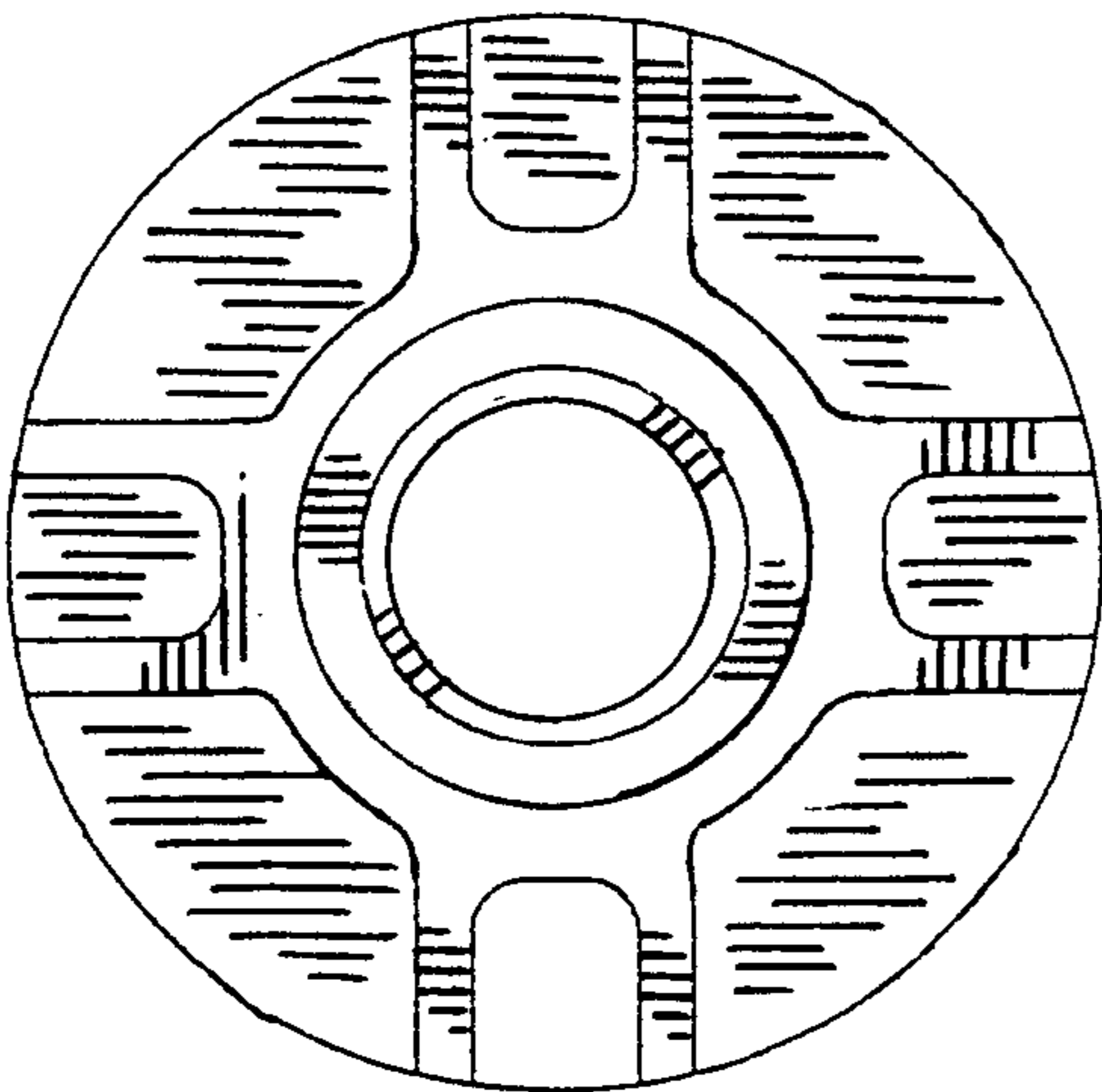


FIG. 4

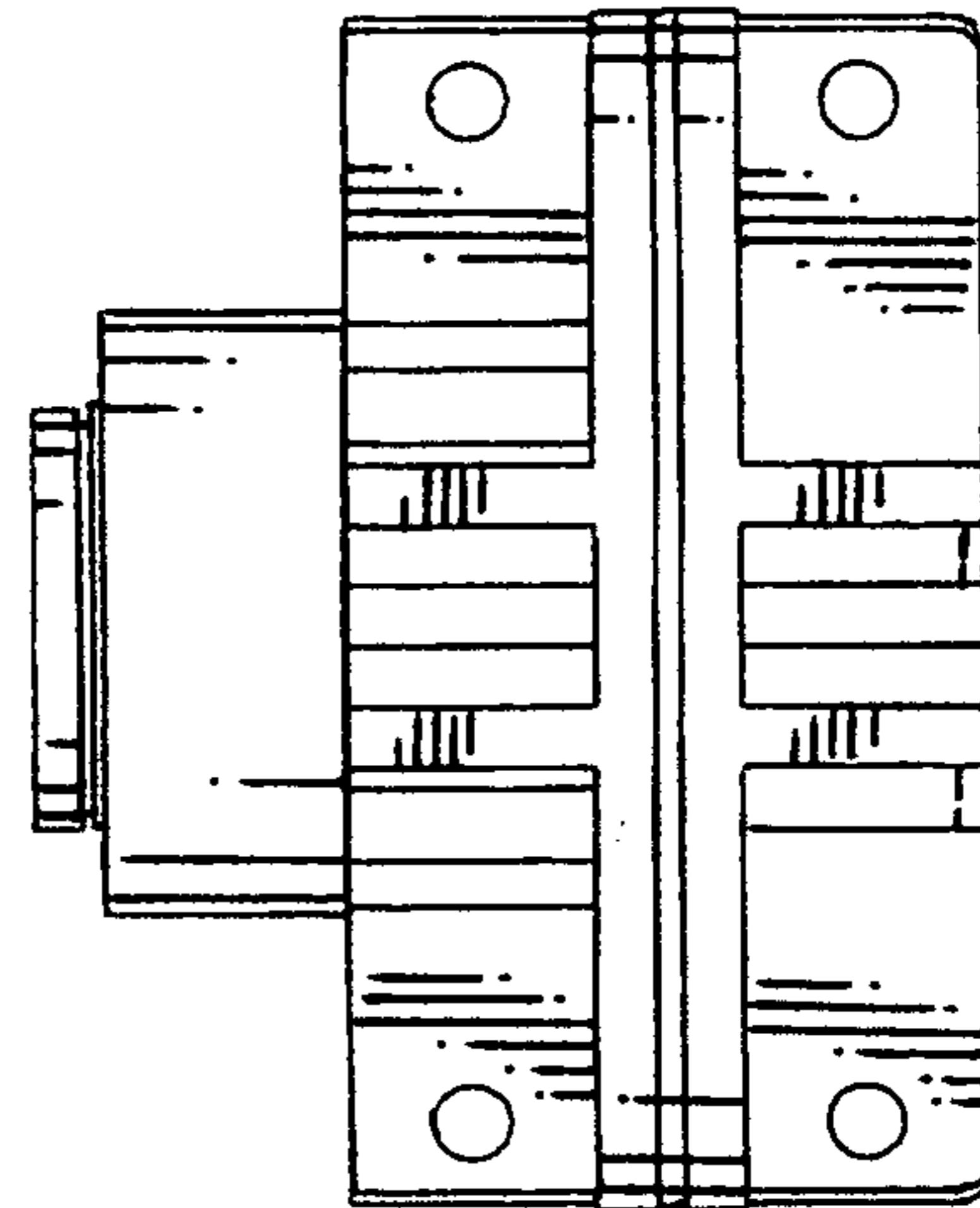


FIG. 6

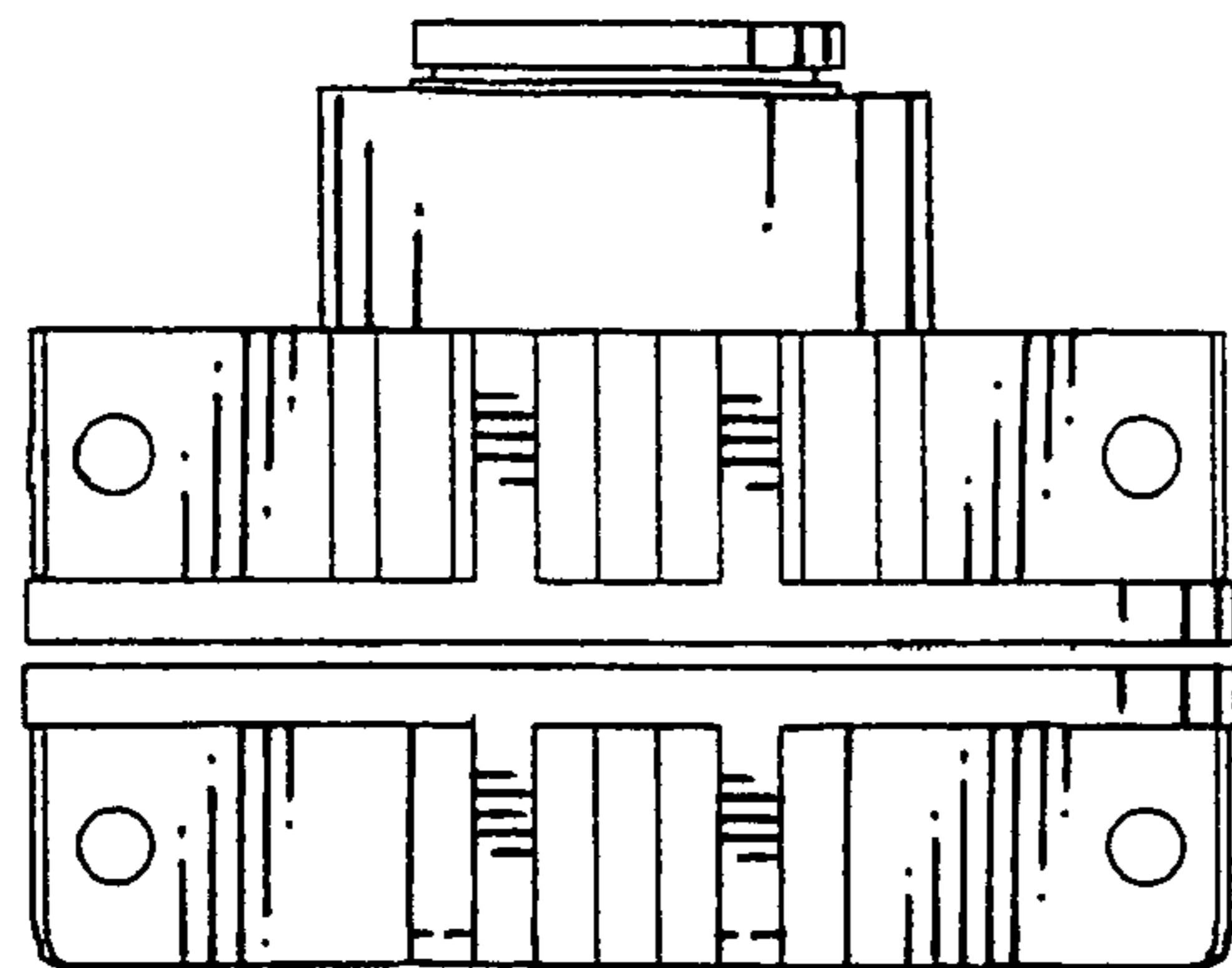


FIG. 7