

US00D663193S

(12) **United States Design Patent**
Lofley, Sr. et al.

(10) **Patent No.:** **US D663,193 S**
(45) **Date of Patent:** **** Jul. 10, 2012**

(54) **TOOL HEAD**

(76) Inventors: **Robert G. Lofley, Sr.**, Seffner, FL (US);
Robert G. Lofley, Jr., Tampa, FL (US)

(**) Term: **14 Years**

(21) Appl. No.: **29/373,451**

(22) Filed: **Apr. 11, 2011**

(51) **LOC (9) Cl.** **08-05**

(52) **U.S. Cl.** **D8/367**

(58) **Field of Classification Search** D8/367,
D8/371, 373, 382, 29, 105, 107; 24/265,
24/265 H, 298, 373, 598.4, 598.7, 599.1,
24/599.2-599.8, 600.1, 600.2, 600.3, 600.9;
428/91, 100; 294/82.1, 24; 114/249
See application file for complete search history.

(56) **References Cited**

U.S. PATENT DOCUMENTS

| | | | | |
|-----------|-----|---------|--------------|--------|
| 684,858 | A | 10/1901 | Pearson | |
| 872,271 | A | 10/1907 | Benet | |
| 918,579 | A | 4/1909 | Murch | |
| 1,365,851 | A | 1/1921 | Reynolds | |
| 1,726,372 | A | 8/1929 | Stoll | |
| 4,076,213 | A | 2/1978 | Payson | |
| 4,577,837 | A | 3/1986 | Berg et al. | |
| 4,646,378 | A | 3/1987 | Borden | |
| 4,715,252 | A | 12/1987 | Pella | |
| 4,918,896 | A | 4/1990 | Wiese | |
| 4,991,469 | A | 2/1991 | Pella | |
| D336,601 | S * | 6/1993 | Crawford | D8/98 |
| 5,433,551 | A | 7/1995 | Gordon | |
| 5,481,950 | A | 1/1996 | Browning | |
| 5,625,923 | A | 5/1997 | Huang | |
| 5,811,688 | A | 9/1998 | Marsh et al. | |
| D432,880 | S * | 10/2000 | Rice et al. | D8/29 |
| D433,305 | S * | 11/2000 | Wu | D8/107 |
| 6,182,539 | B1 | 2/2001 | Webster | |
| 6,213,672 | B1 | 4/2001 | Varga | |
| 6,254,305 | B1 | 7/2001 | Taylor | |

| | | | | |
|-----------|-----|---------|------------------|--------|
| 6,347,777 | B1 | 2/2002 | Webber | |
| 6,461,074 | B2 | 10/2002 | Taylor | |
| D468,989 | S * | 1/2003 | Gringer et al. | D8/107 |
| 6,682,209 | B2 | 1/2004 | Drake et al. | |
| 6,951,185 | B1 | 10/2005 | Wiese | |
| 7,025,015 | B2 | 4/2006 | Wilcox et al. | |
| 7,040,832 | B2 | 5/2006 | Hsieh | |
| D526,024 | S * | 8/2006 | Iannello et al. | D20/8 |
| 7,097,380 | B2 | 8/2006 | Lee | |
| 7,111,574 | B2 | 9/2006 | Slatter | |
| D533,026 | S * | 12/2006 | Dotterman et al. | D7/393 |
| 7,293,934 | B1 | 11/2007 | Huang | |
| 7,311,061 | B1 | 12/2007 | Wiese | |
| D576,025 | S * | 9/2008 | Mazzocco | D8/382 |
| D600,100 | S * | 9/2009 | Moncade | D8/367 |
| D601,880 | S * | 10/2009 | Veilleux | D8/367 |

(Continued)

OTHER PUBLICATIONS

U.S. Appl. No. 12/589,856, Robert G. Lofley, Sr., et al.

(Continued)

Primary Examiner — Cynthia Underwood

(74) *Attorney, Agent, or Firm* — Frijouf, Rust & Pyle, P.A.

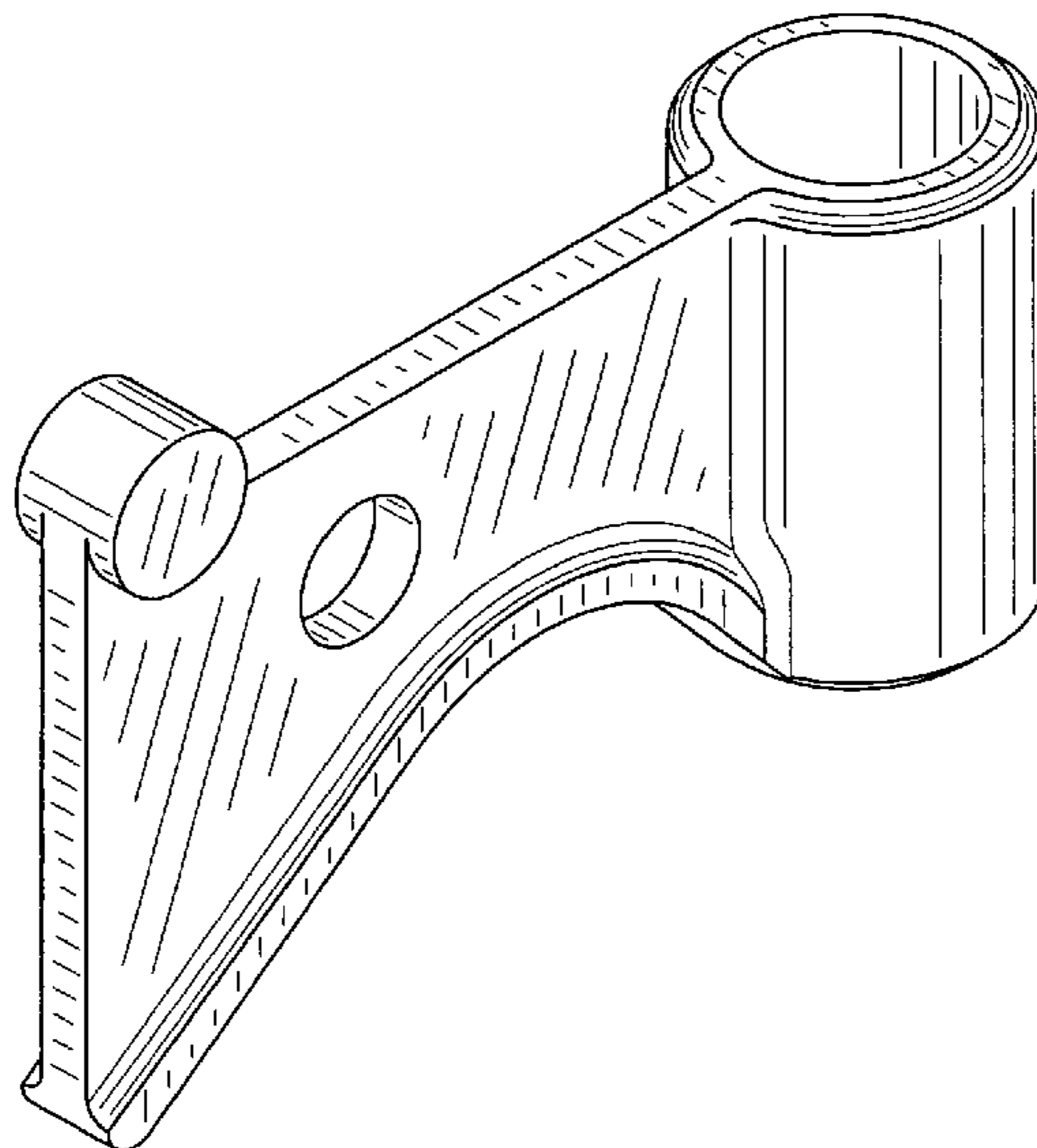
(57) **CLAIM**

The ornamental design for a tool head, as shown and described.

DESCRIPTION

FIG. 1 is a right front perspective view of our new design for a tool head;
FIG. 2 is a left front perspective view of FIG. 1;
FIG. 3 is a side view of FIG. 1;
FIG. 4 is a side view of FIG. 2;
FIG. 5 is a top view of FIG. 1;
FIG. 6 is a bottom view of FIG. 1;
FIG. 7 is a front view of FIG. 1; and,
FIG. 8 is a rear view of FIG. 1.

1 Claim, 3 Drawing Sheets



US D663,193 S

Page 2

U.S. PATENT DOCUMENTS

D604,139 S * 11/2009 Forsythe D8/105
D630,076 S * 1/2011 O'Connell D8/105
2004/0016385 A1 1/2004 Wilcox et al.
2006/0062632 A1 3/2006 Jang

OTHER PUBLICATIONS

U.S. Appl. No. 12/927,952, Robert G. Lofley, Sr., et al.

U.S. Appl. No. 13/374,200, Robert G. Lofley, Sr., et al.
U.S. Appl. No. 13/397,389, Robert G. Lofley, Sr., et al.
U.S. Appl. No. 29/414,965, Robert G. Lofley, Sr., et al.
U.S. Appl. No. 61/627,066, Robert G. Lofley, Sr., et al.
U.S. Appl. No. 61/633,026, Robert G. Lofley, Sr., et al.
U.S. Appl. No. 12/567,135, Ricardo Cuyar.

* cited by examiner

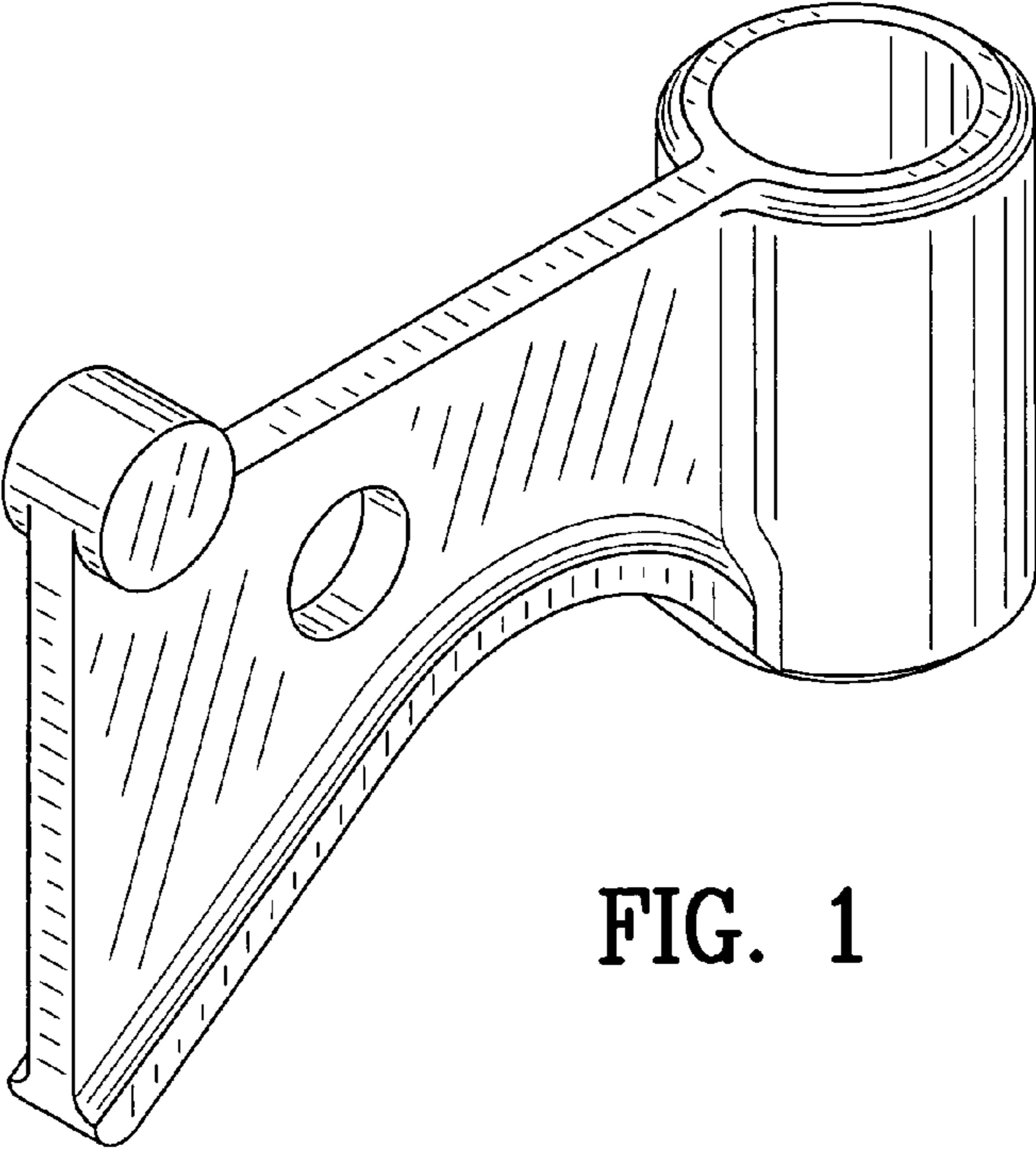


FIG. 1

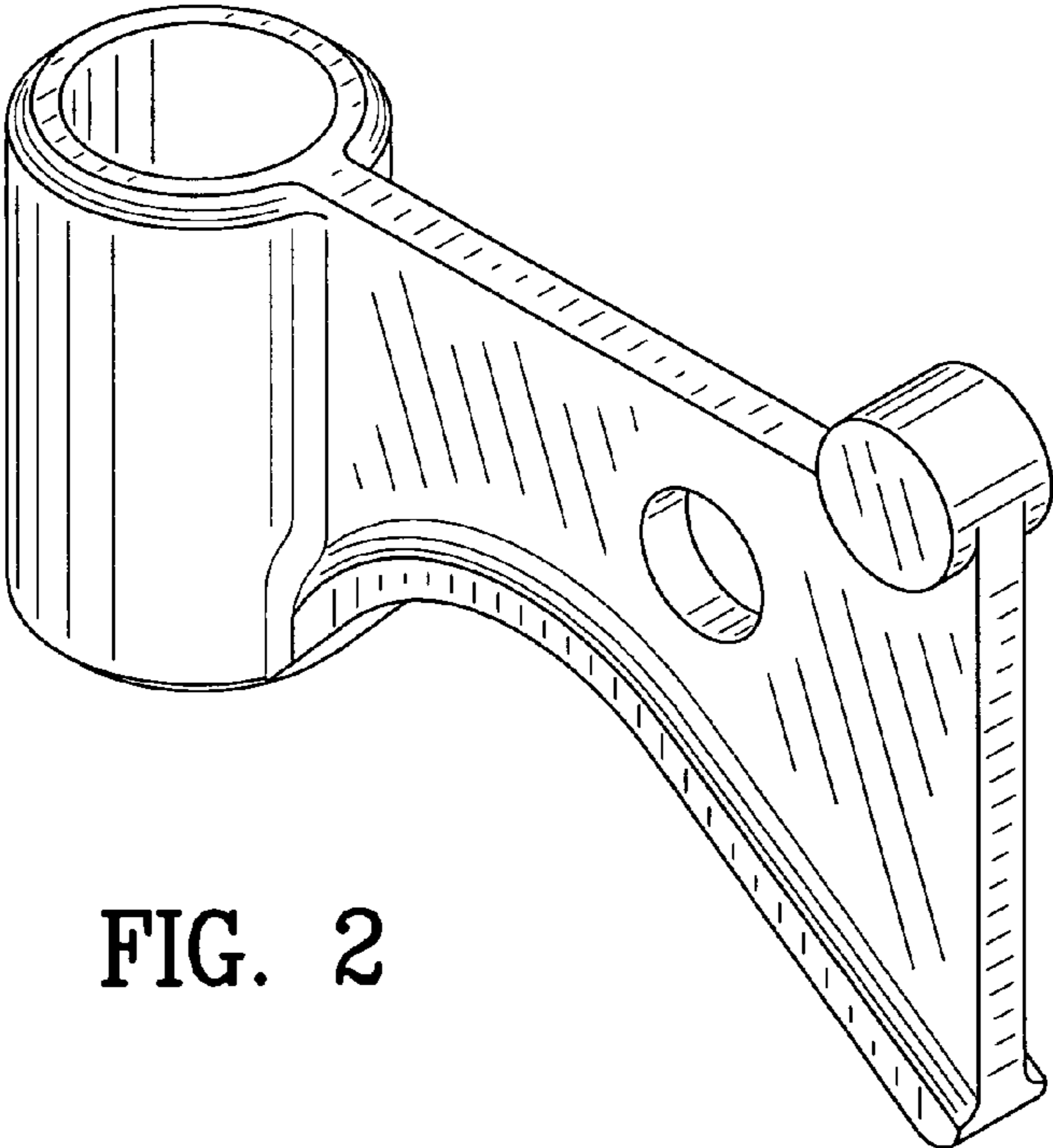


FIG. 2

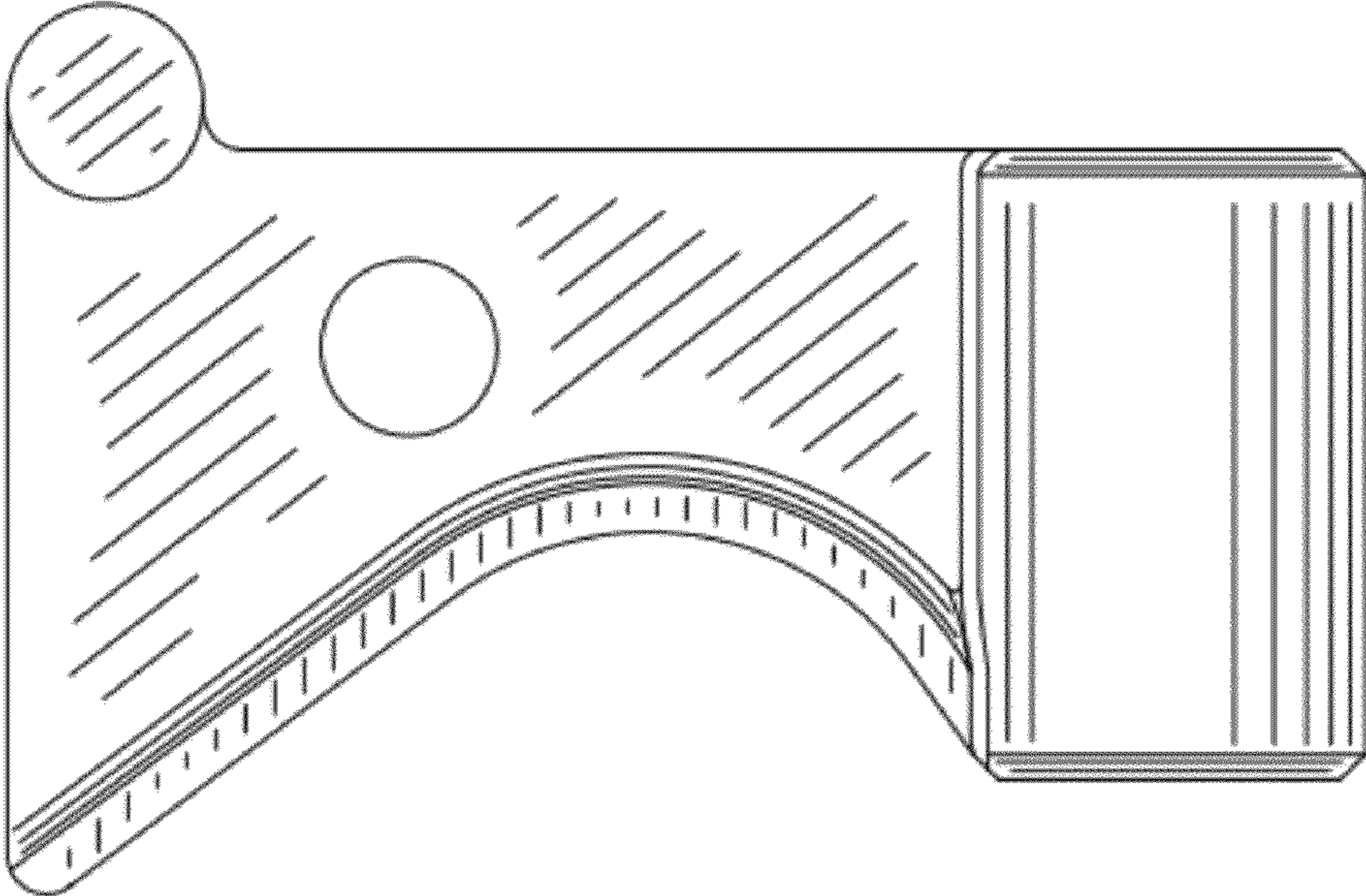


FIG. 3

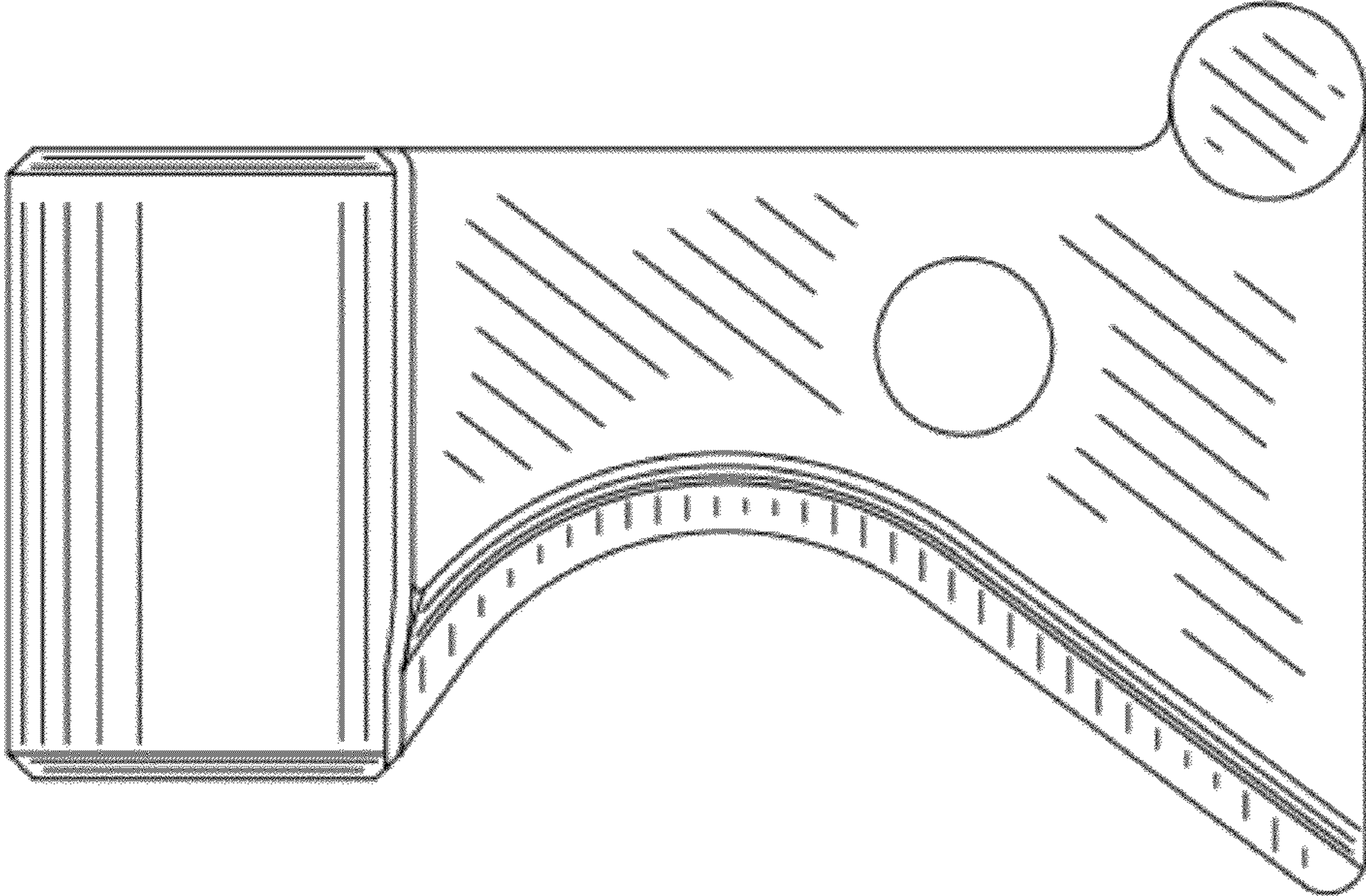


FIG. 4

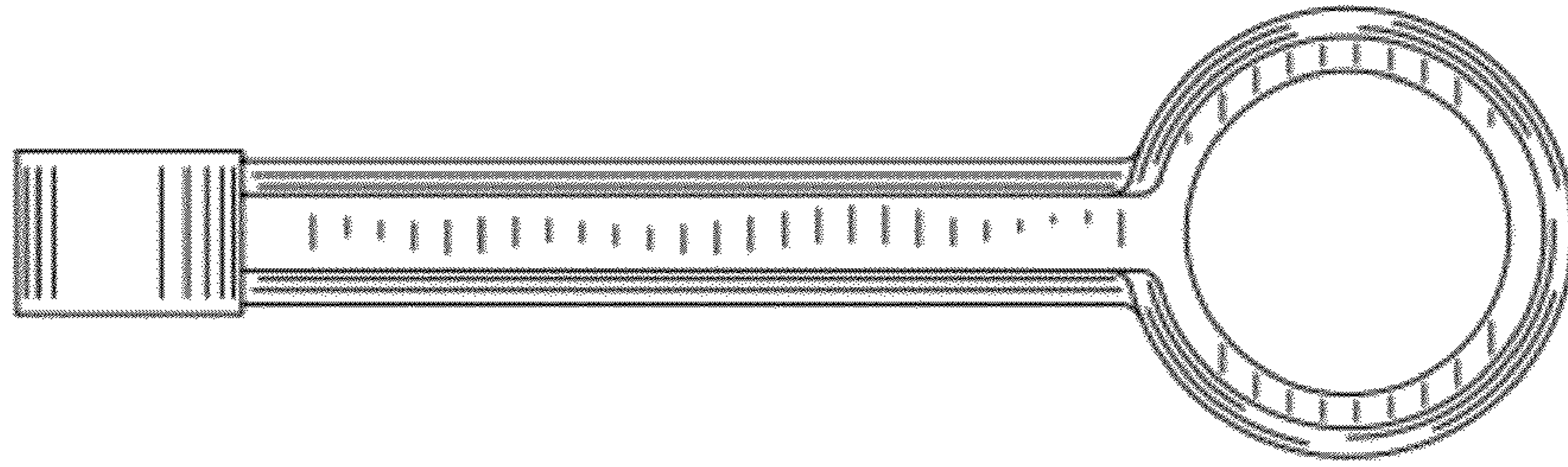


FIG. 5

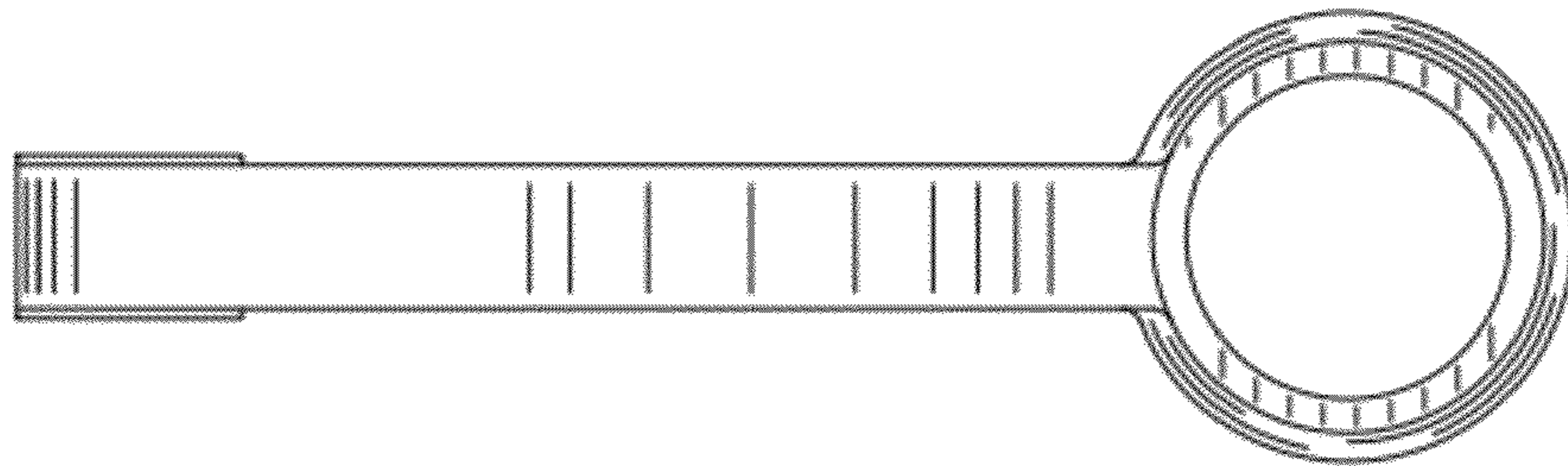


FIG. 6

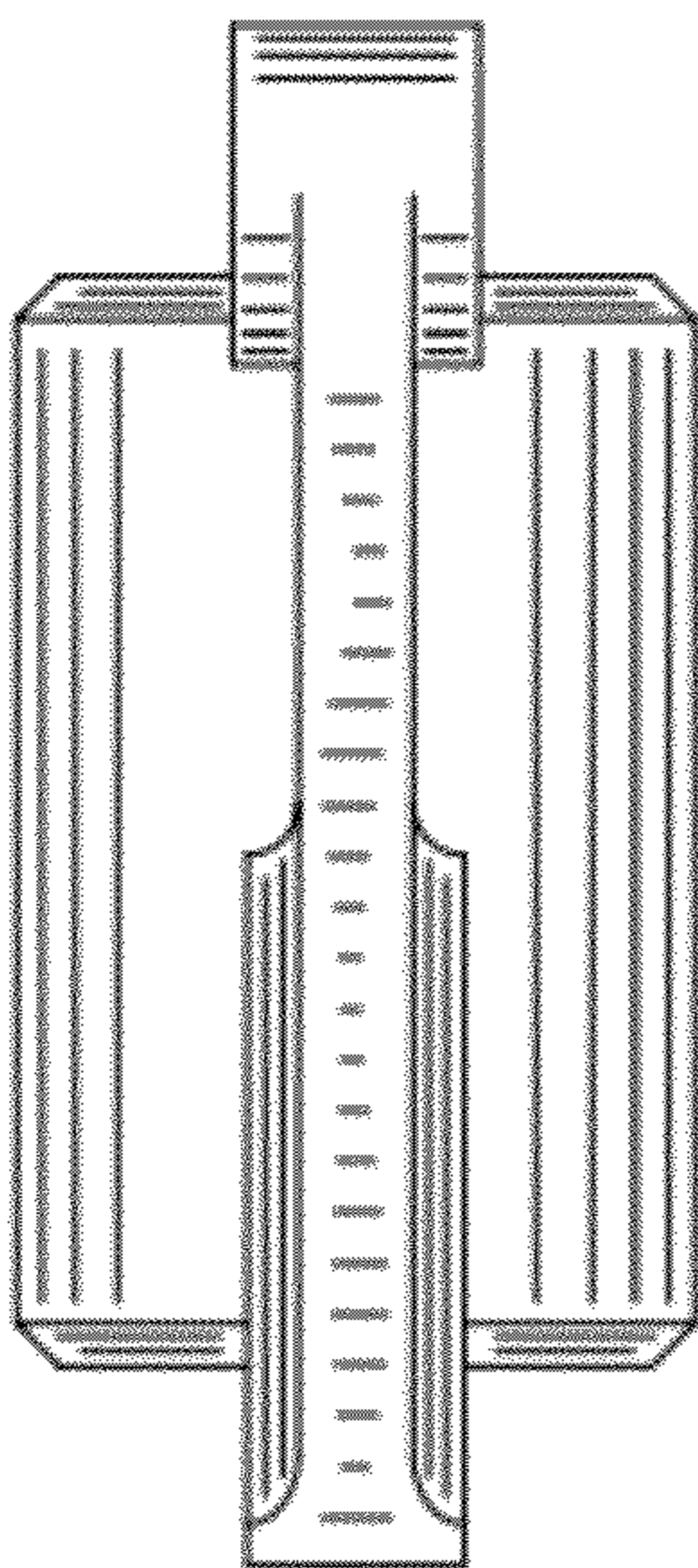


FIG. 7

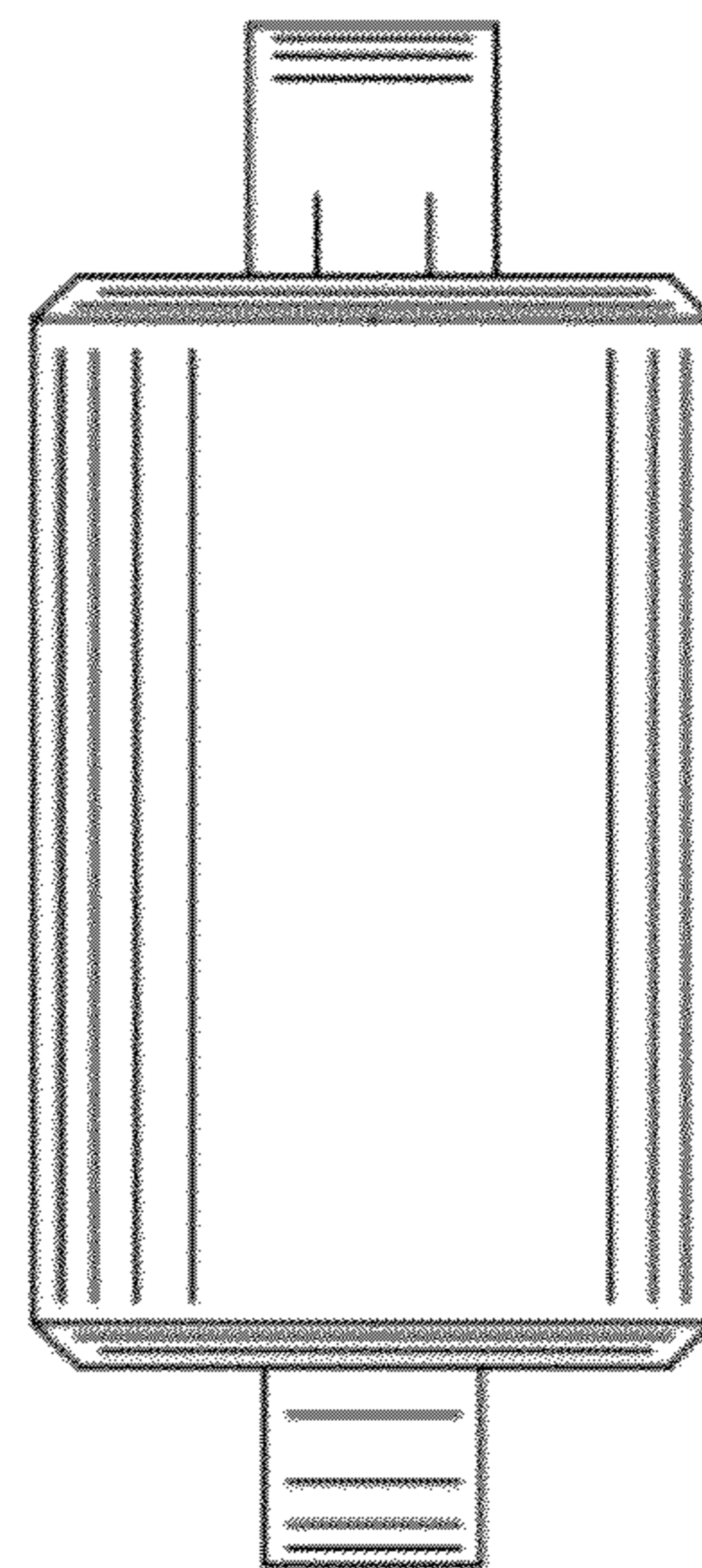


FIG. 8