



US00D663192S

(12) **United States Design Patent**  
**Sen et al.**

(10) **Patent No.:** **US D663,192 S**  
(45) **Date of Patent:** **\*\* Jul. 10, 2012**

(54) **SPOOL**

(75) Inventors: **Nilanjan Sen**, Ghent (BE); **Hendrik Van Hoecke**, Oostende (BE); **Erwin Vereecken**, Kalken (BE); **Stijn De Pauw**, Ghent (BE)

(73) Assignee: **NV Bekaert SA**, Zwevegem (BE)

(\*\*) Term: **14 Years**

(21) Appl. No.: **29/400,839**

(22) Filed: **Sep. 1, 2011**

(30) **Foreign Application Priority Data**

Mar. 30, 2011 (WO) ..... 595587901

(51) **LOC (9) Cl.** ..... **08-05**

(52) **U.S. Cl.** ..... **D8/358**

(58) **Field of Classification Search** ..... D8/358;  
D3/24; D9/419; D15/78; D22/137; 242/399  
See application file for complete search history.

(56) **References Cited**

**U.S. PATENT DOCUMENTS**

1,456,108	A	2/1920	Johannesen	
2,096,965	A	11/1936	Howsam	
2,225,551	A	9/1939	Clinton	
D244,808	S *	6/1977	Ubermuth	D3/24
D250,338	S *	11/1978	LaPierre	D15/78
D256,999	S *	9/1980	Haagedoorn et al.	D9/419
4,715,556	A	12/1987	Tack et al.	
4,903,911	A *	2/1990	Sepka	242/399
5,004,179	A	4/1991	Salloum	

D358,931	S	6/1995	Vanhuysse	
5,425,509	A	6/1995	Van Severen	
5,460,333	A	10/1995	Vanhuysse	
5,803,396	A	9/1998	Dewaele	
D410,991	S *	6/1999	Miyazaki	D22/137
D441,772	S	5/2001	Polzer	
D504,806	S	5/2005	Basaran	
D545,561	S	7/2007	Vandecasteele	
D563,207	S	3/2008	Kawazoe	
D583,651	S	12/2008	Kawazoe	
D589,363	S	3/2009	Vandecasteele	
D623,927	S	9/2010	Gu et al.	
D625,172	S	10/2010	Pauwels	

**OTHER PUBLICATIONS**

U.S. Appl. No. 29/311,517, filed Apr. 2009, Gu et al.

\* cited by examiner

*Primary Examiner* — Susan Bennett Hattan

*Assistant Examiner* — Barbara B Lohr

(74) *Attorney, Agent, or Firm* — Shlesinger, Arkwright & Garvey LLP

(57) **CLAIM**

The ornamental design for a spool, as shown and described.

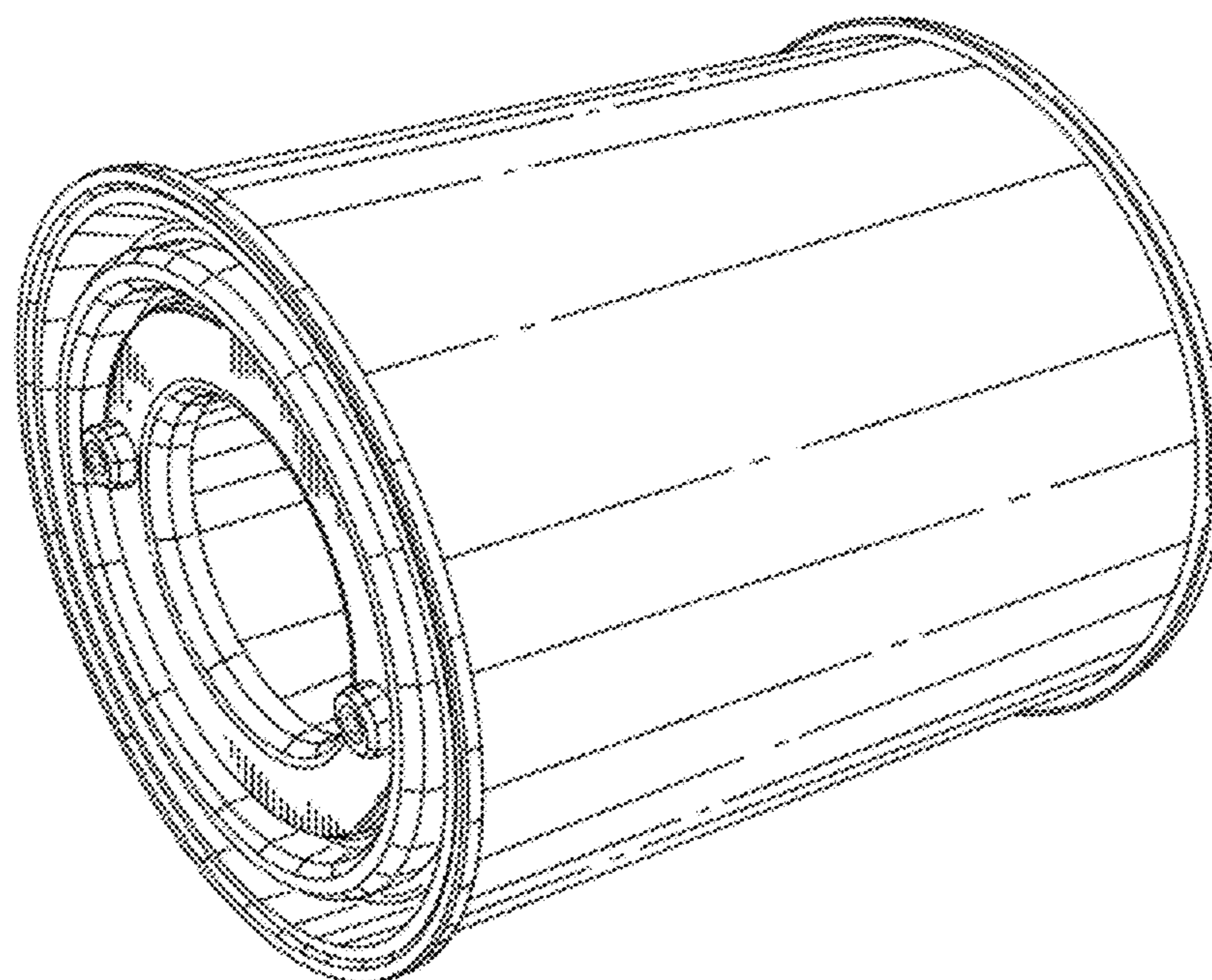
**DESCRIPTION**

FIG. 1 is a front perspective view of a spool, showing our new design;

FIG. 2 is a rear perspective view of our spool of FIG. 1; and, FIG. 3 is a right side view of our spool of FIG. 1, the left side view being a mirror image thereof.

The broken lines circles shown on FIG. 2 form no part of the claimed design, and are for illustrative purposes only.

**1 Claim, 3 Drawing Sheets**



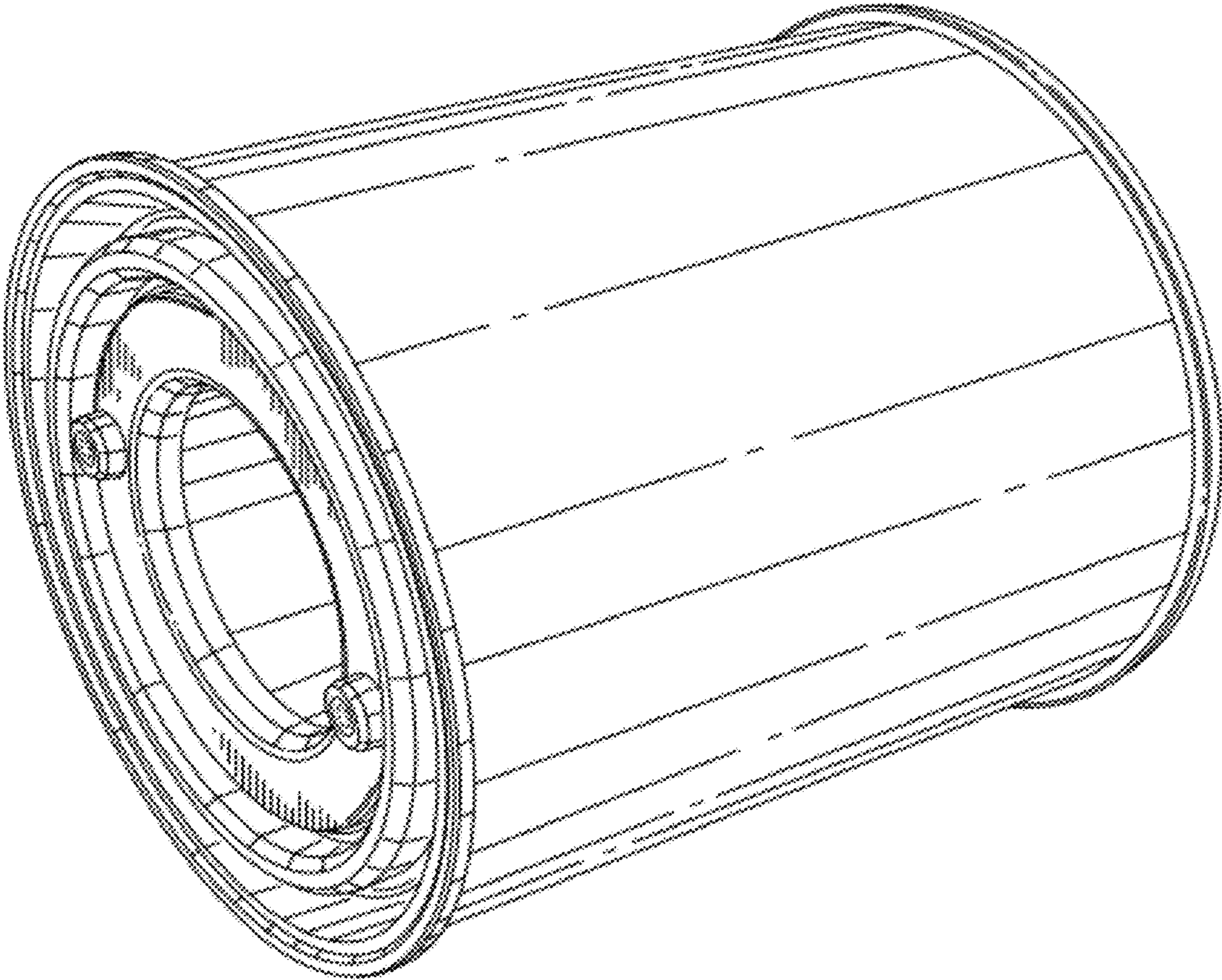


FIG. 1

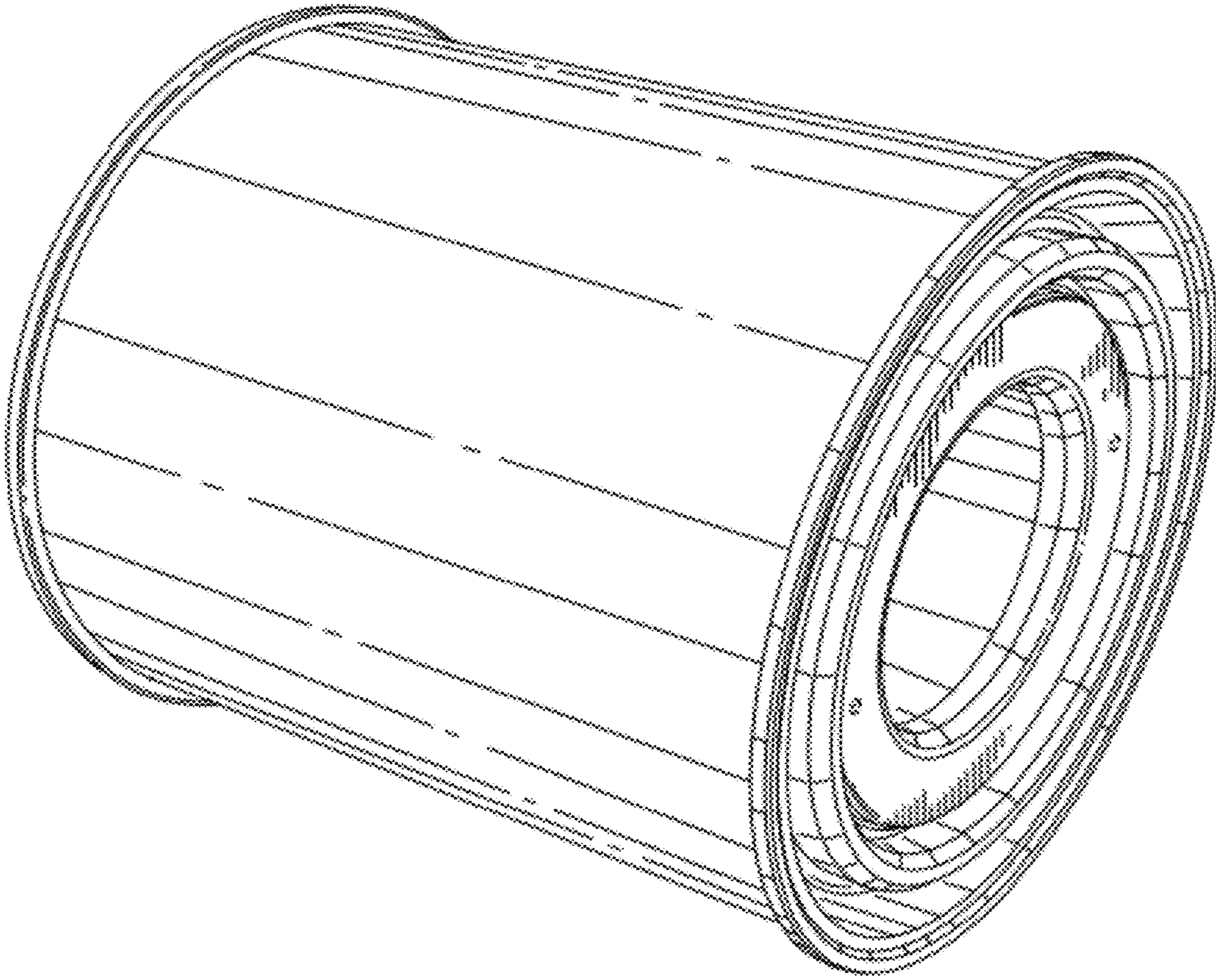


FIG. 2

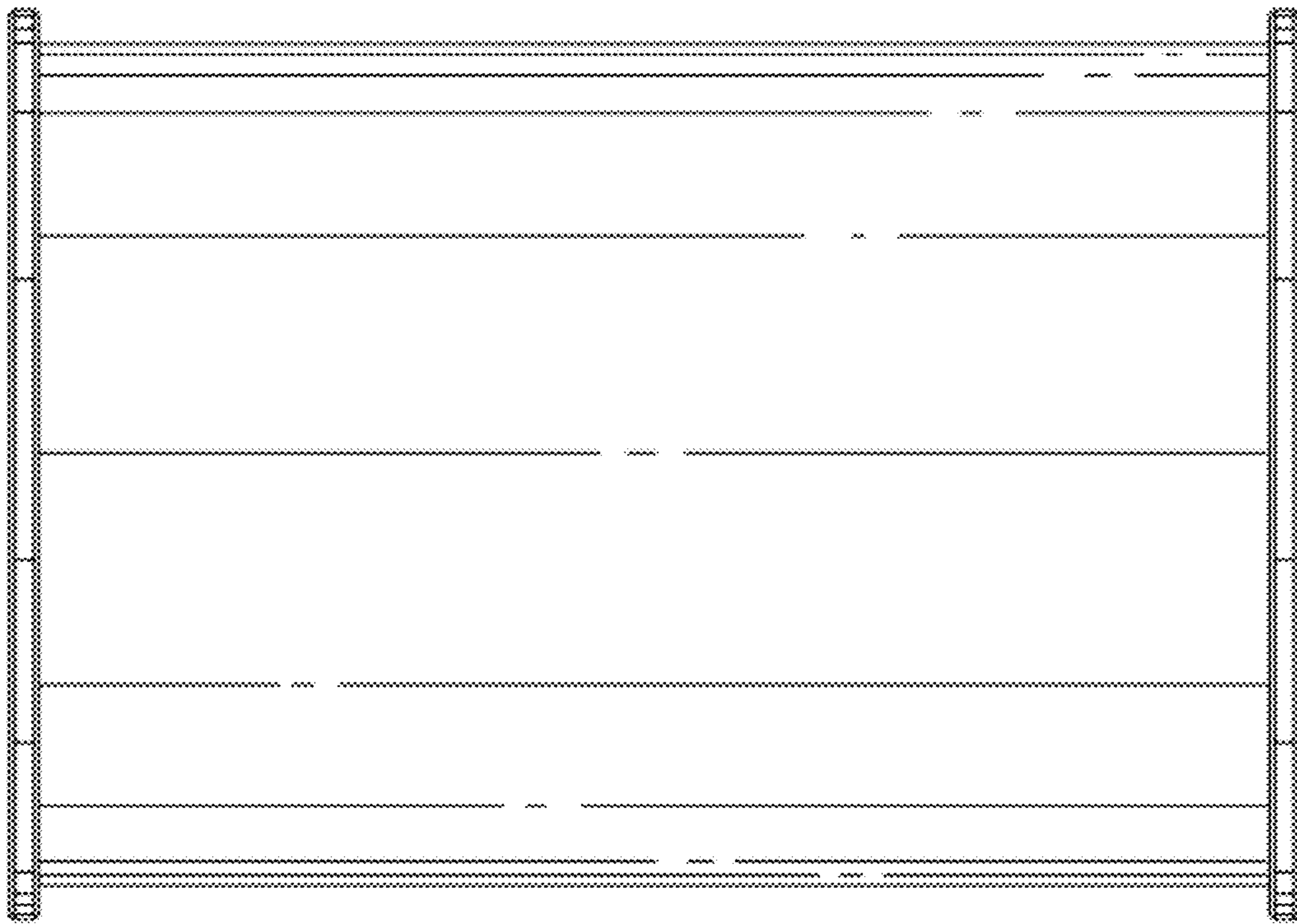


FIG. 3