

US00D663190S

(12) **United States Design Patent**
Mota et al.

(10) **Patent No.:** **US D663,190 S**
(45) **Date of Patent:** **** Jul. 10, 2012**

(54) **MOUNTING BRACKET**

(75) Inventors: **Iwan Mota**, Toronto (CA); **Joel Matlin**, Toronto (CA); **Jon Carver**, Millbrae, CA (US); **Kimberlee Hayashi**, San Francisco, CA (US); **Tark Abed**, Palo Alto, CA (US)

(73) Assignee: **Alarmforce Industries Inc.**, Toronto (CA)

(**) Term: **14 Years**

(21) Appl. No.: **29/383,768**

(22) Filed: **Jan. 21, 2011**

(51) **LOC (9) Cl.** **08-08**

(52) **U.S. Cl.** **D8/349; D16/242**

(58) **Field of Classification Search** D8/349, D8/354, 355, 356, 363, 366, 373, 380, 394; D12/223; D25/134, 164, 199, 102; D16/132, D16/242; 248/200, 300, 57, 65, 346.01; 52/514, 220.8, 712, 698, 220.1, 370, 634, 52/696, 714; 396/428

See application file for complete search history.

(56) **References Cited**

U.S. PATENT DOCUMENTS

2,480,479	A *	8/1949	Keleher	248/215
2,920,853	A *	1/1960	Bufogle	248/214
3,599,918	A *	8/1971	Patchett	248/85
3,870,209	A *	3/1975	Mazur	224/255
D236,232	S *	8/1975	Kleinerman	D16/136
4,141,524	A *	2/1979	Corvese, Jr.	248/70
D267,050	S *	11/1982	Ostrom	D3/219
D274,037	S *	5/1984	Crim et al.	D8/373
4,447,030	A *	5/1984	Nattel	248/27.1
D283,031	S *	3/1986	Sadre-Marandi et al.	D16/242
4,794,675	A *	1/1989	Bisconti	24/455
D305,299	S *	1/1990	Freeman	D8/373
D318,608	S *	7/1991	Schenker	D8/382
5,055,864	A *	10/1991	Slikkers	396/428
D327,642	S *	7/1992	Foubister	D8/373
5,260,731	A *	11/1993	Baker, Jr.	396/428
5,529,273	A *	6/1996	Benthin	248/254

5,678,797	A *	10/1997	Gogan	248/251
6,073,899	A *	6/2000	Omrani	248/311.2
6,145,677	A *	11/2000	Corniel	211/105.1
6,311,851	B1 *	11/2001	Knudsen et al.	211/13.1
6,364,260	B1 *	4/2002	Lorincz et al.	248/215
6,418,010	B1 *	7/2002	Sawyer	361/679.05
D483,250	S *	12/2003	Klein et al.	D8/373
D491,054	S *	6/2004	Caterinacci, Jr.	D8/381
D494,050	S *	8/2004	Klein et al.	D8/373
D494,051	S *	8/2004	Klein et al.	D8/373
D494,454	S *	8/2004	Klein et al.	D8/373
6,854,610	B2 *	2/2005	Adams	211/118
D508,251	S *	8/2005	Tuccinardi et al.	D16/132
7,128,354	B2 *	10/2006	Wu	294/139
7,322,551	B2 *	1/2008	Simonsen	248/231.81
D619,878	S *	7/2010	Sjoqvist	D8/354
7,789,574	B2 *	9/2010	Broberg	396/428
7,909,295	B2 *	3/2011	Powers et al.	248/121
D644,503	S *	9/2011	Crane et al.	D8/382
2004/0164211	A1 *	8/2004	Orona	248/214
2005/0188507	A1 *	9/2005	Adams et al.	16/416
2006/0096234	A1 *	5/2006	Miller	52/712
2008/0174456	A1 *	7/2008	Warren	340/994
2010/0014849	A1 *	1/2010	Mota et al.	396/427
2011/0243545	A1 *	10/2011	Mota et al.	396/427

* cited by examiner

Primary Examiner — Mark Goodwin

(74) *Attorney, Agent, or Firm* — Osler, Hoskin & Harcourt LLP

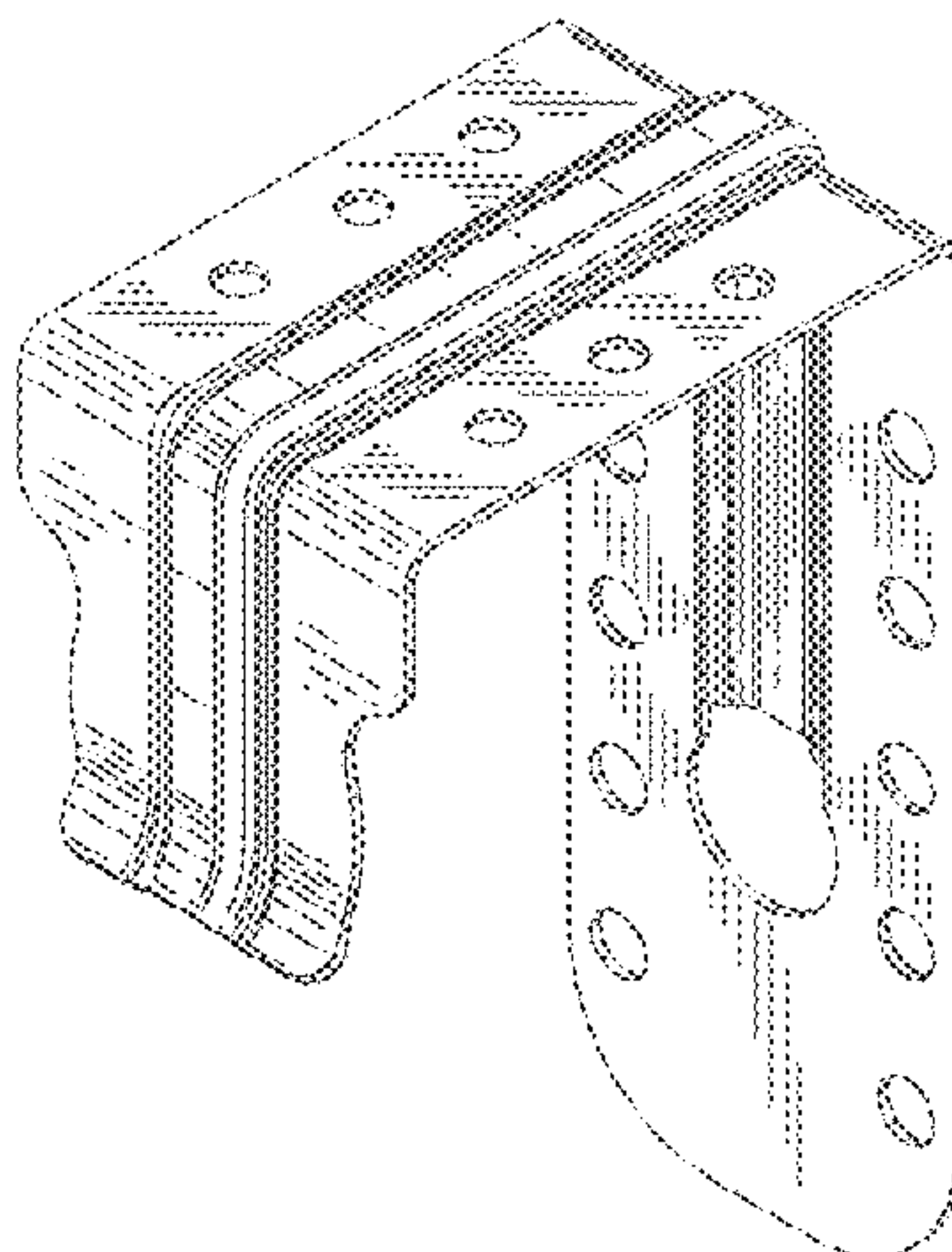
(57) **CLAIM**

The ornamental design for a mounting bracket, as shown and described.

DESCRIPTION

FIG. 1 is a perspective view taken from a rear, right side of a mounting bracket according to an embodiment of our design; FIG. 2 is a top plan view thereof; FIG. 3 is a right side elevation view thereof; FIG. 4 is a front elevation view thereof; FIG. 5 is a rear elevation view thereof; FIG. 6 is a left side elevation view thereof; and, FIG. 7 is a bottom plan view thereof.

1 Claim, 7 Drawing Sheets



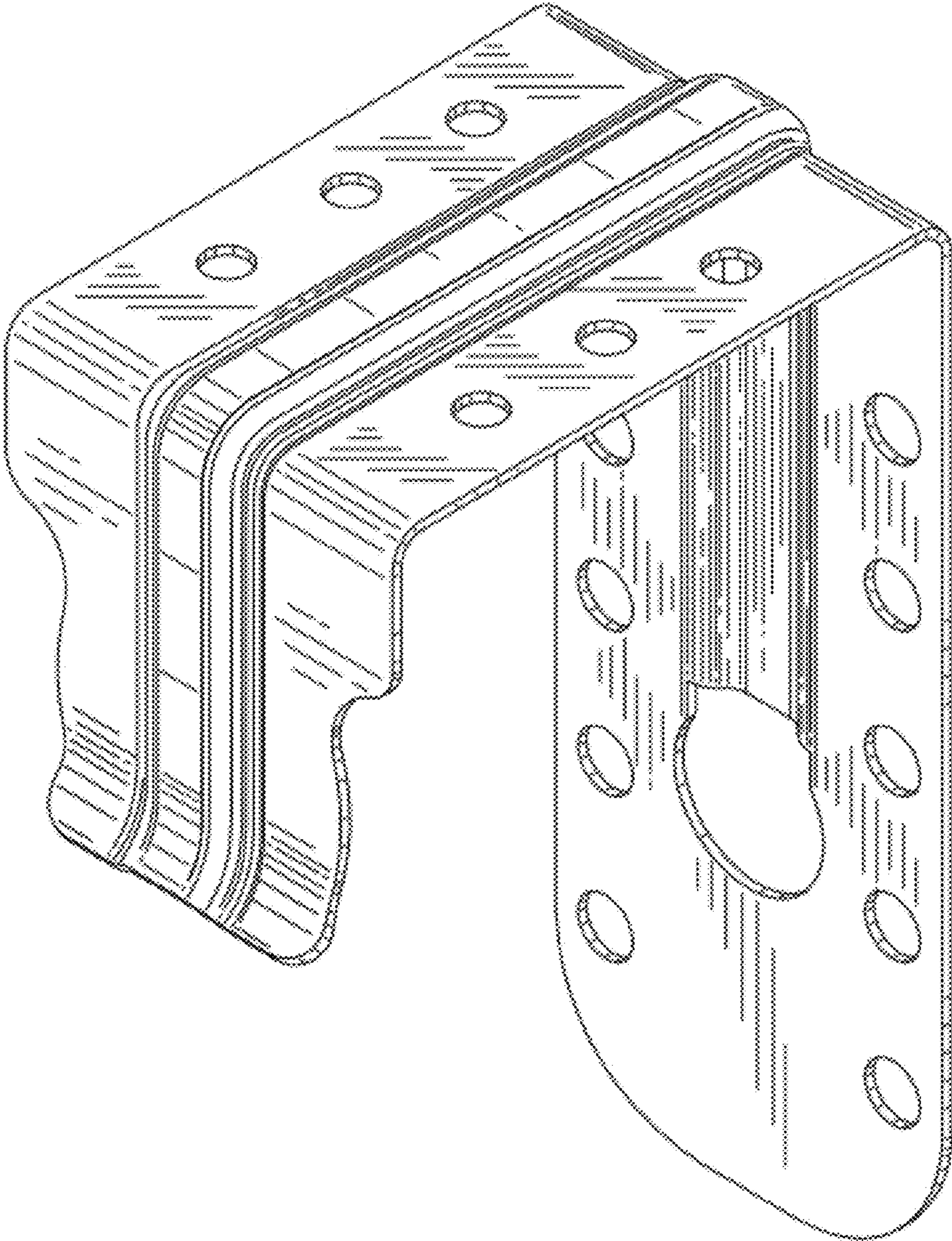


FIG. 1

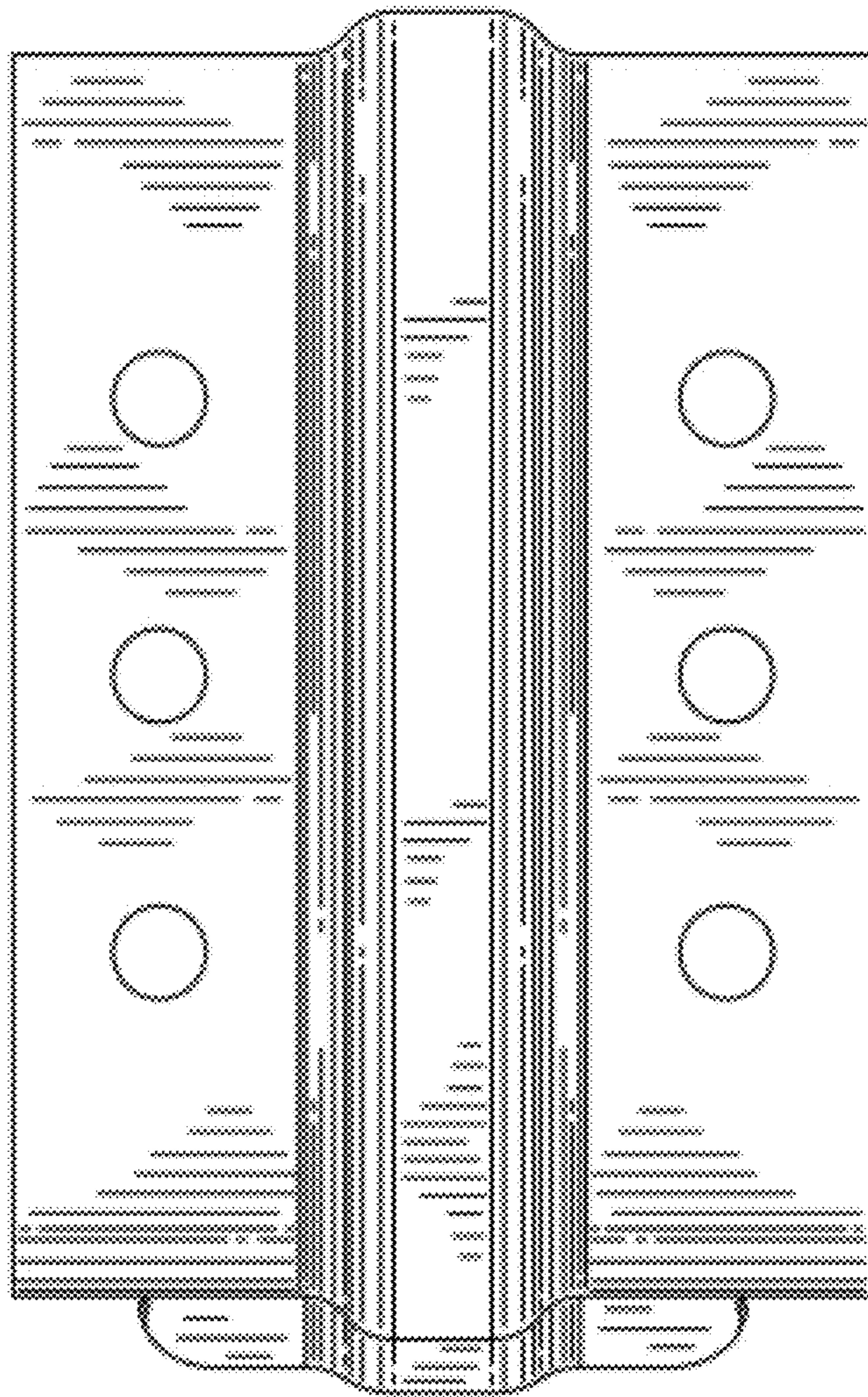


FIG. 2

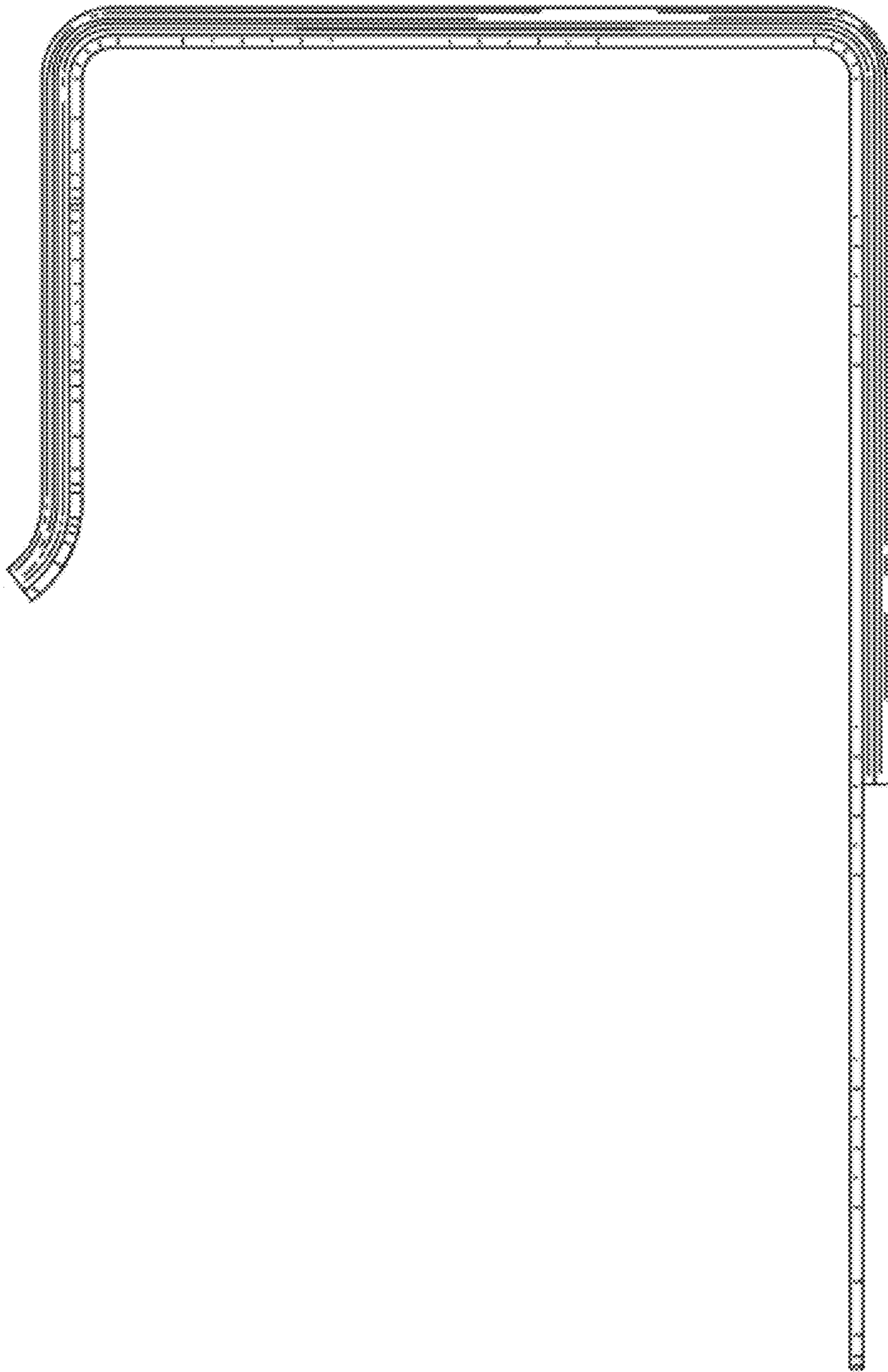


FIG. 3

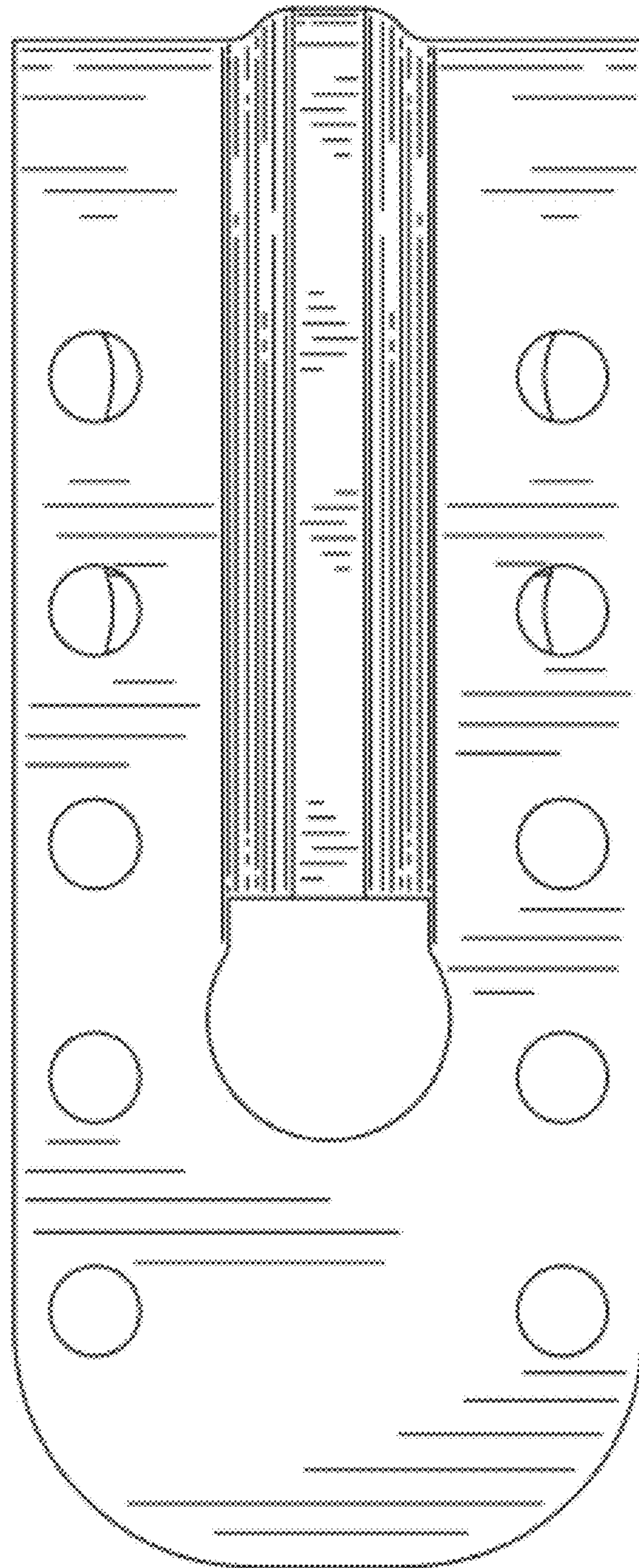


FIG. 4

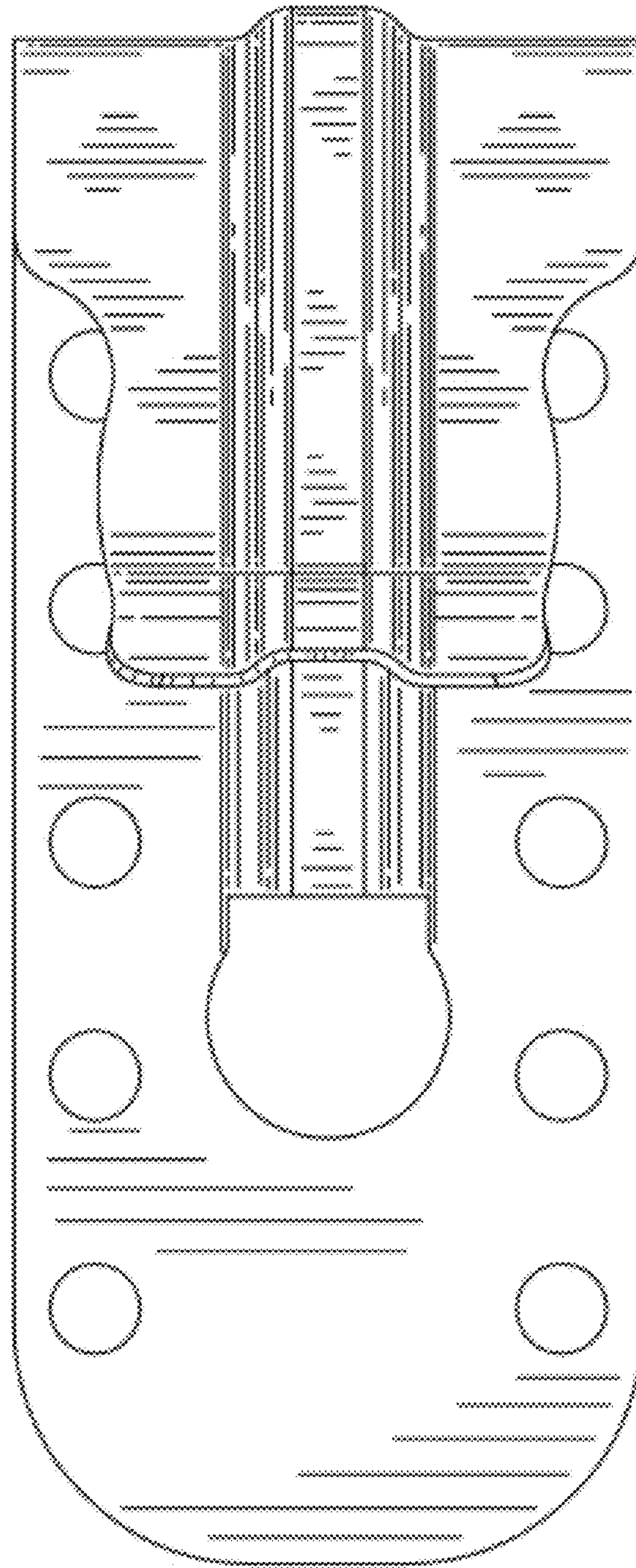


FIG. 5

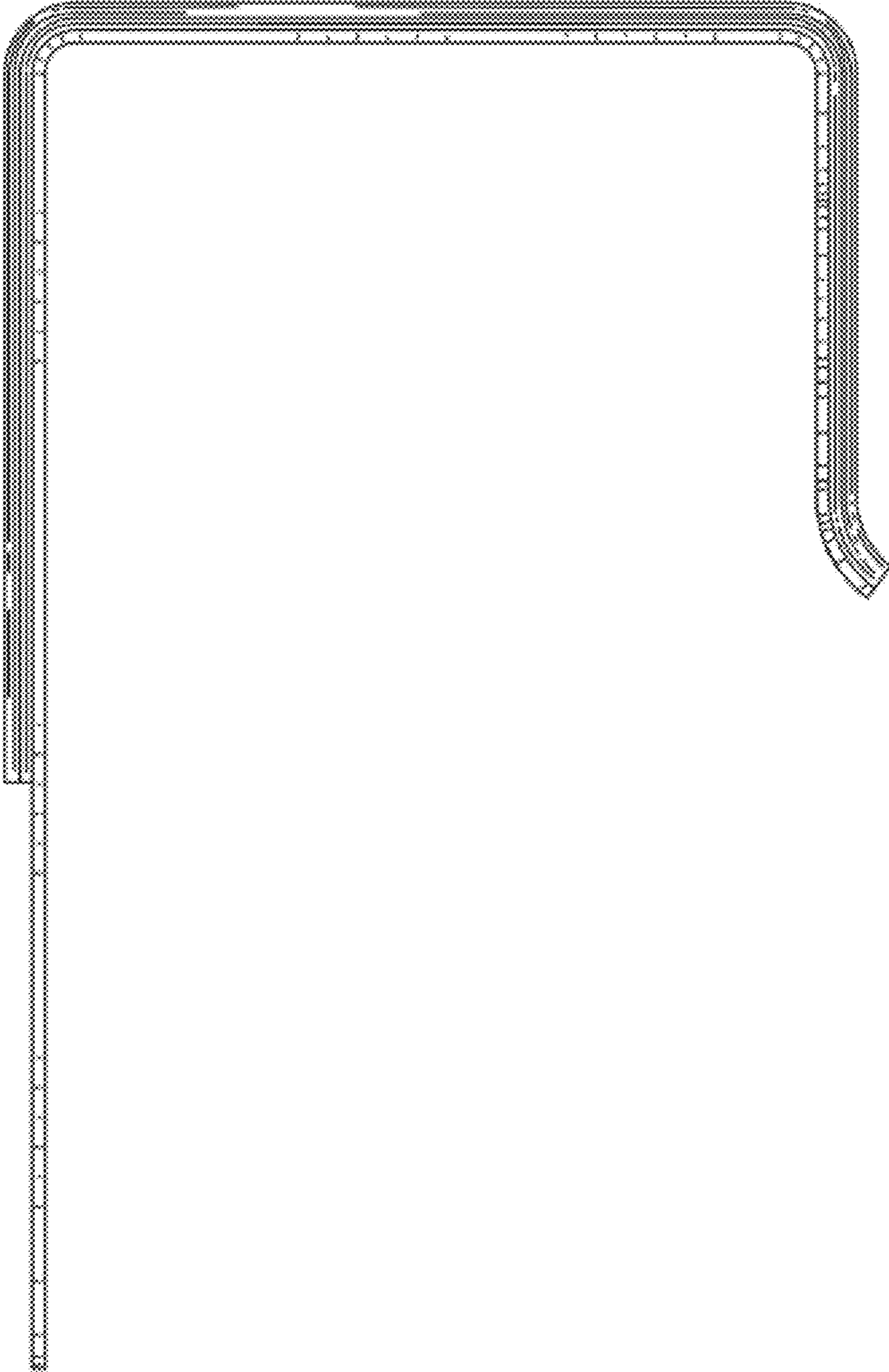


FIG. 6

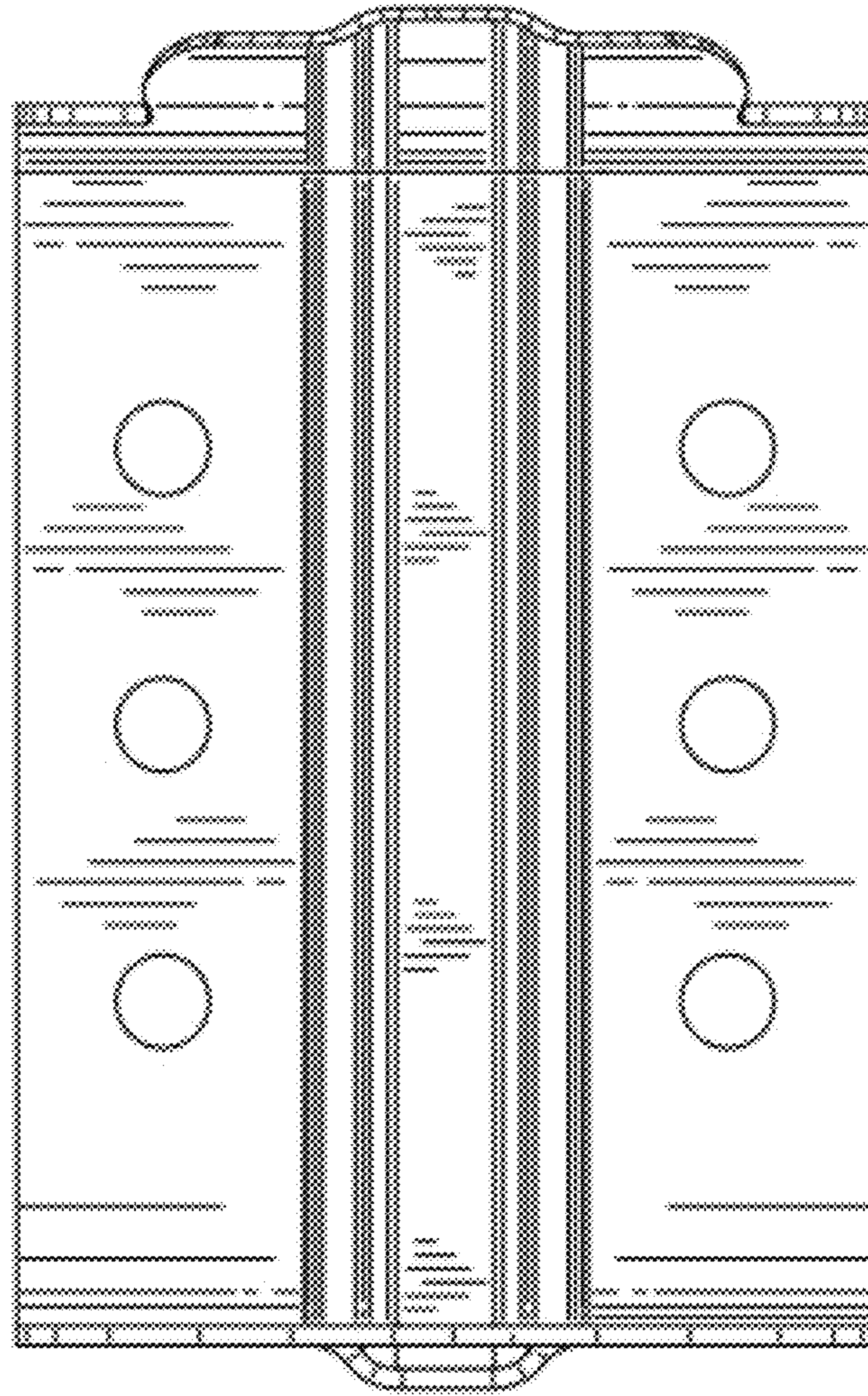


FIG. 7