

US00D663185S

(12) **United States Design Patent**
Denning

(10) **Patent No.:** **US D663,185 S**
(45) **Date of Patent:** **** Jul. 10, 2012**

(54) **RATCHET CRANK DRILL ADAPTER**
(76) Inventor: **Eddie C. Denning**, Alice, TX (US)

7,278,808 B1 10/2007 Sisk et al.
7,357,612 B1 4/2008 Paul
7,410,336 B2 8/2008 Parks
8,118,312 B2* 2/2012 Walters 279/143

(**) Term: **14 Years**

* cited by examiner

(21) Appl. No.: **29/412,339**

Primary Examiner — Antoine D Davis

(22) Filed: **Feb. 1, 2012**

(74) *Attorney, Agent, or Firm* — QuickPatents, Inc.; Kevin Prince

Related U.S. Application Data

(66) Substitute for application No. 29/344,770, filed on Oct. 4, 2009, now abandoned.

(51) **LOC (9) Cl.** **08-05**

(52) **U.S. Cl.** **D8/70**

(58) **Field of Classification Search** D8/70;
D15/138; 279/144; 410/100, 103, 156
See application file for complete search history.

(57) **CLAIM**

The ornamental design for a ratchet crank drill adapter, as shown and described.

DESCRIPTION

FIG. 1 is a perspective view of a ratchet crank drill adapter, showing my new design;
FIG. 2 is a front elevational view thereof;
FIG. 3 is a rear elevational view thereof;
FIG. 4 is a right-side elevational view thereof;
FIG. 5 is a left-side elevational view thereof;
FIG. 6 is a top plan view thereof; and,
FIG. 7 is a bottom plan view thereof.

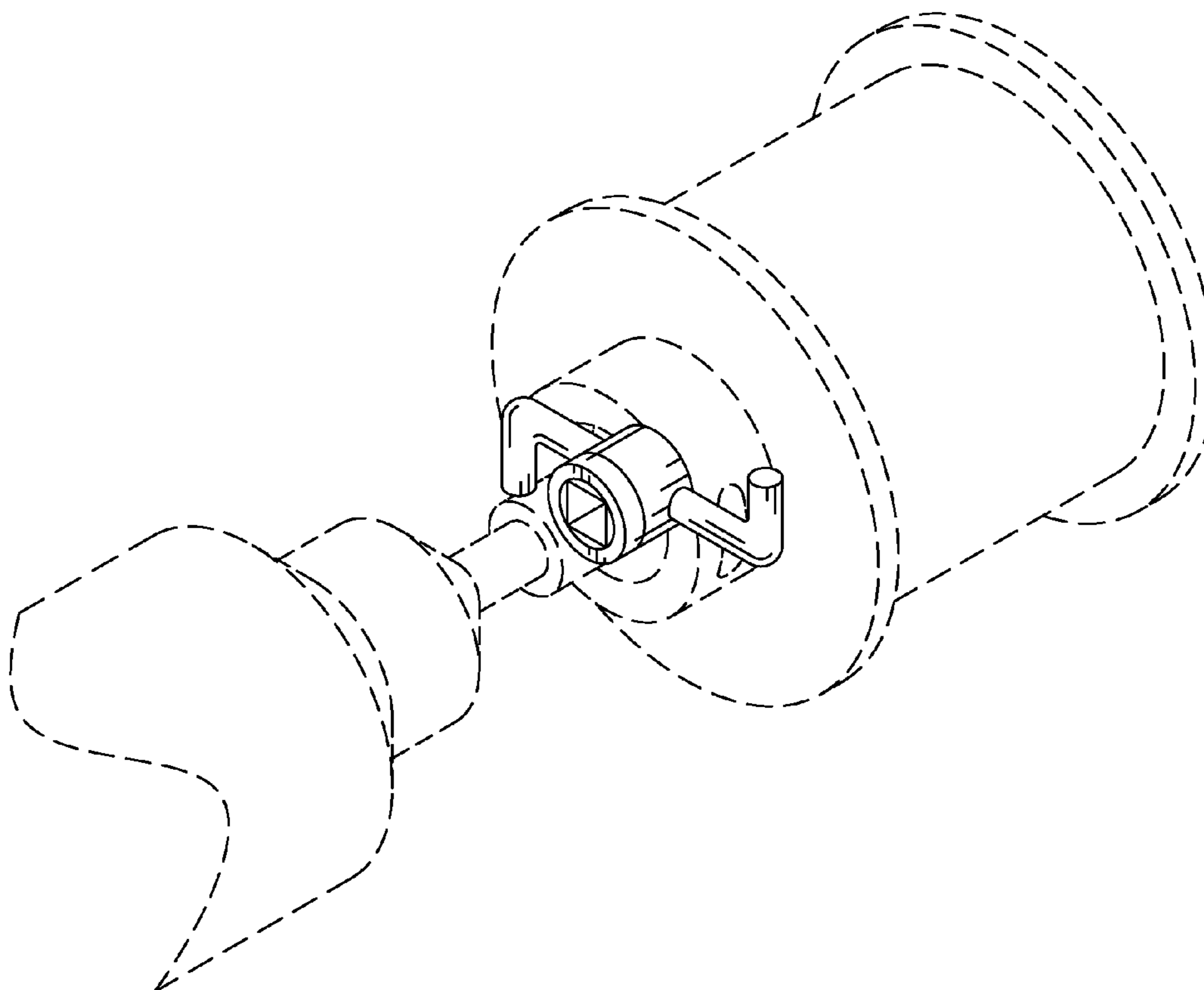
The broken lines showing a drill and ratchet crank in FIG. 1 illustrate environmental matter and form no part of the claimed design.

(56) **References Cited**

U.S. PATENT DOCUMENTS

3,843,143 A 10/1974 Laxson
D419,414 S 1/2000 Pellak
6,467,716 B1 10/2002 Hamilton
D477,763 S 7/2003 Hebert
6,916,143 B2 7/2005 Guenther
D511,081 S 11/2005 Nara

1 Claim, 2 Drawing Sheets



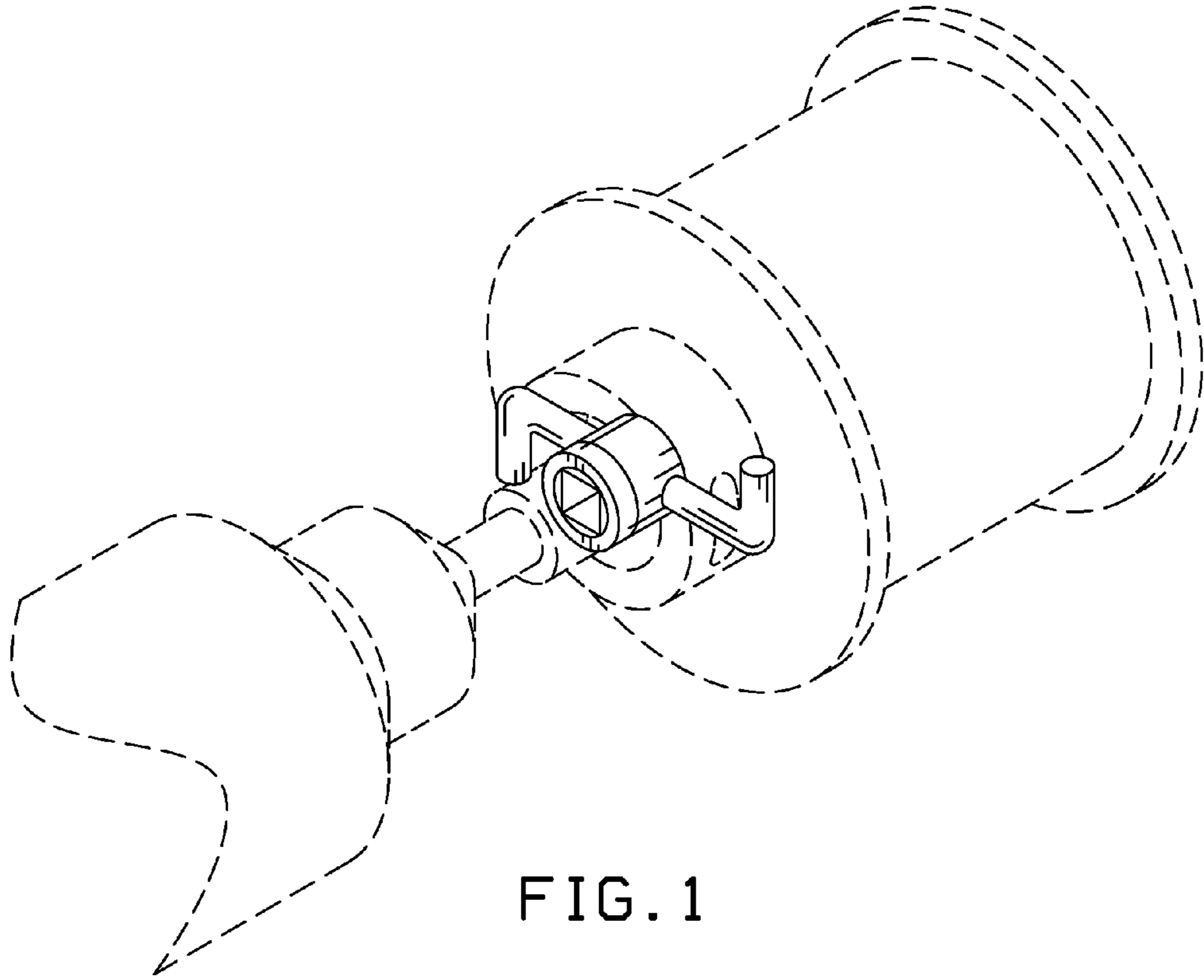


FIG. 1

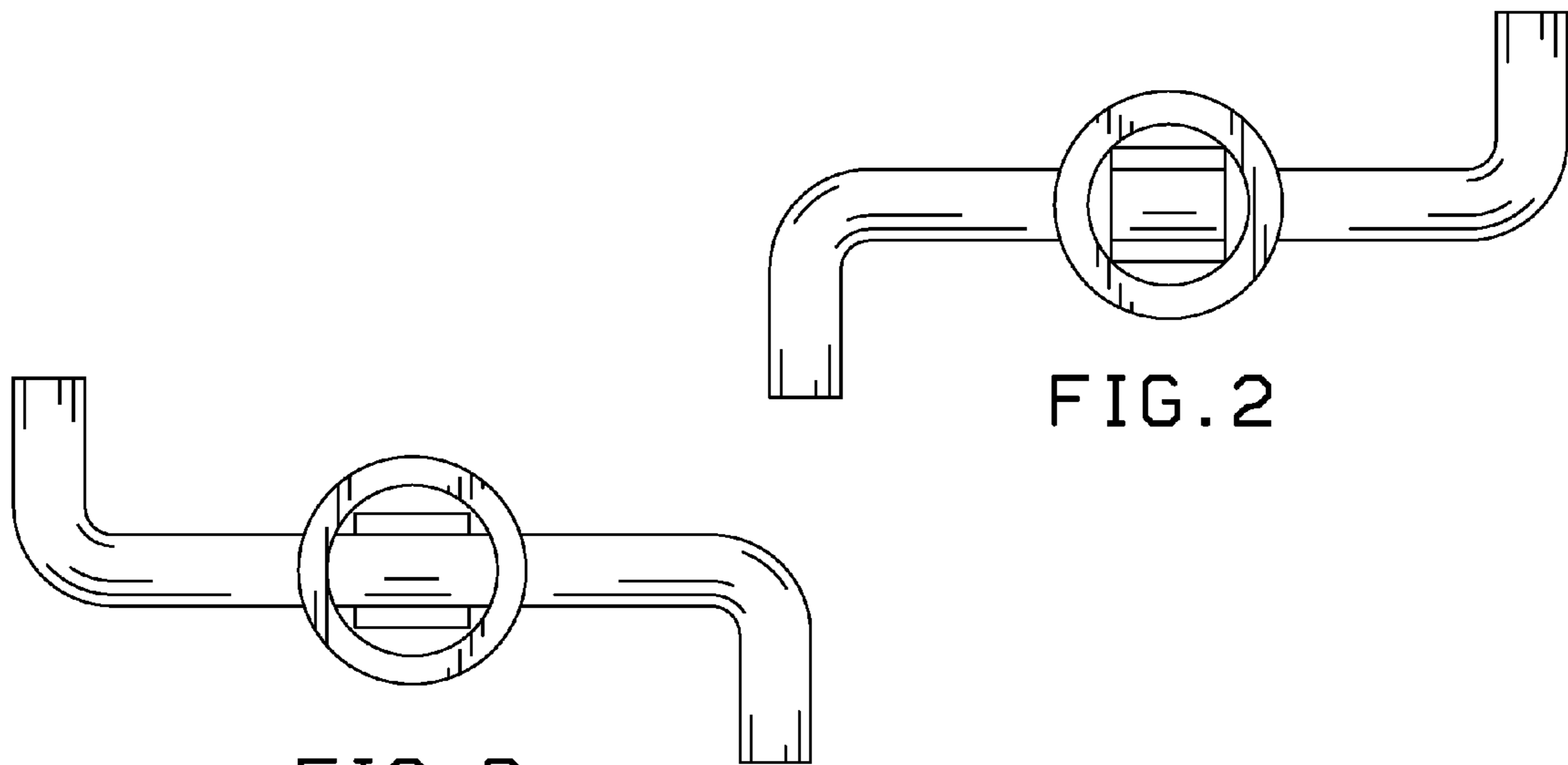


FIG. 2

FIG. 3

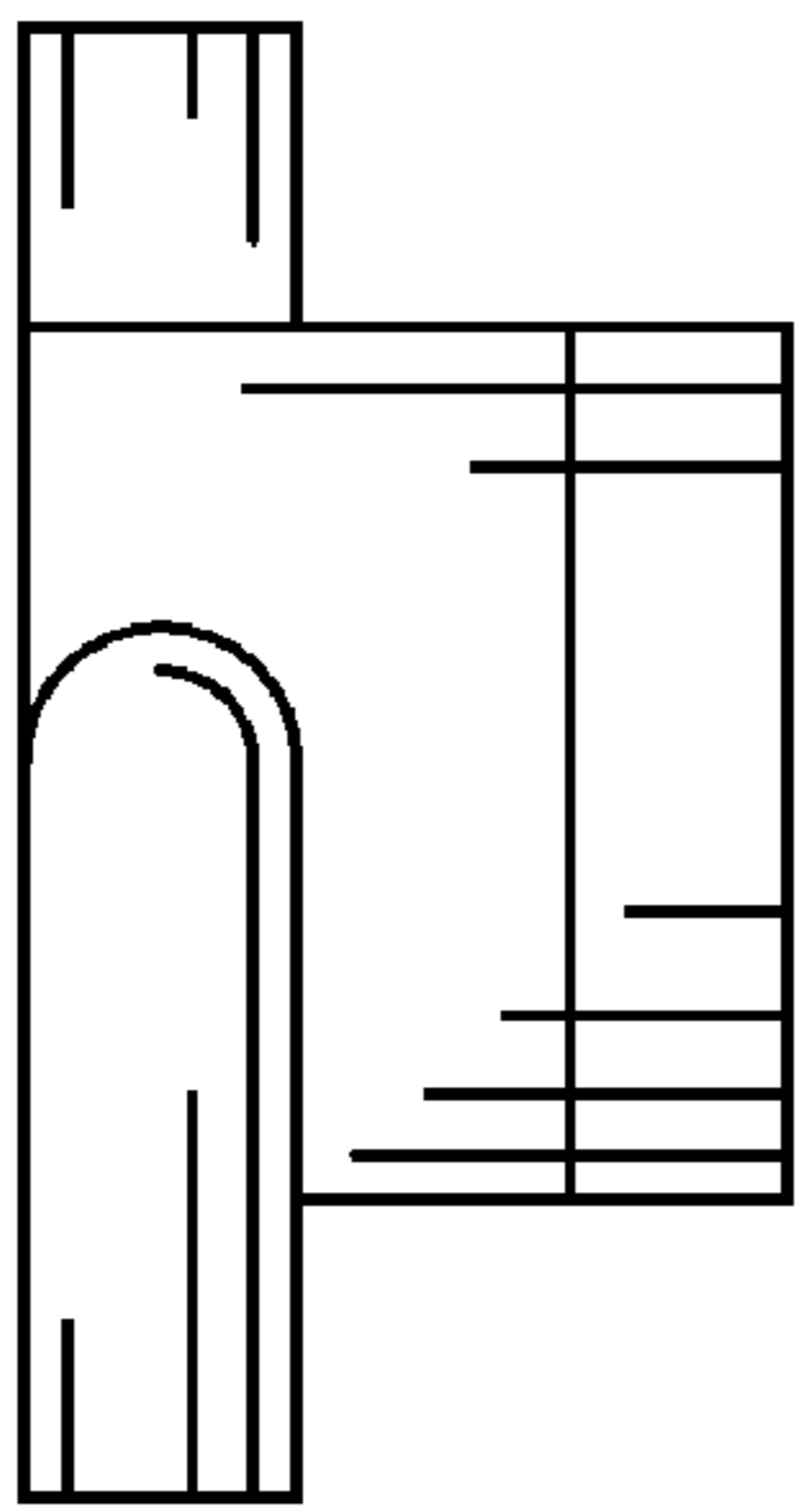


FIG. 4

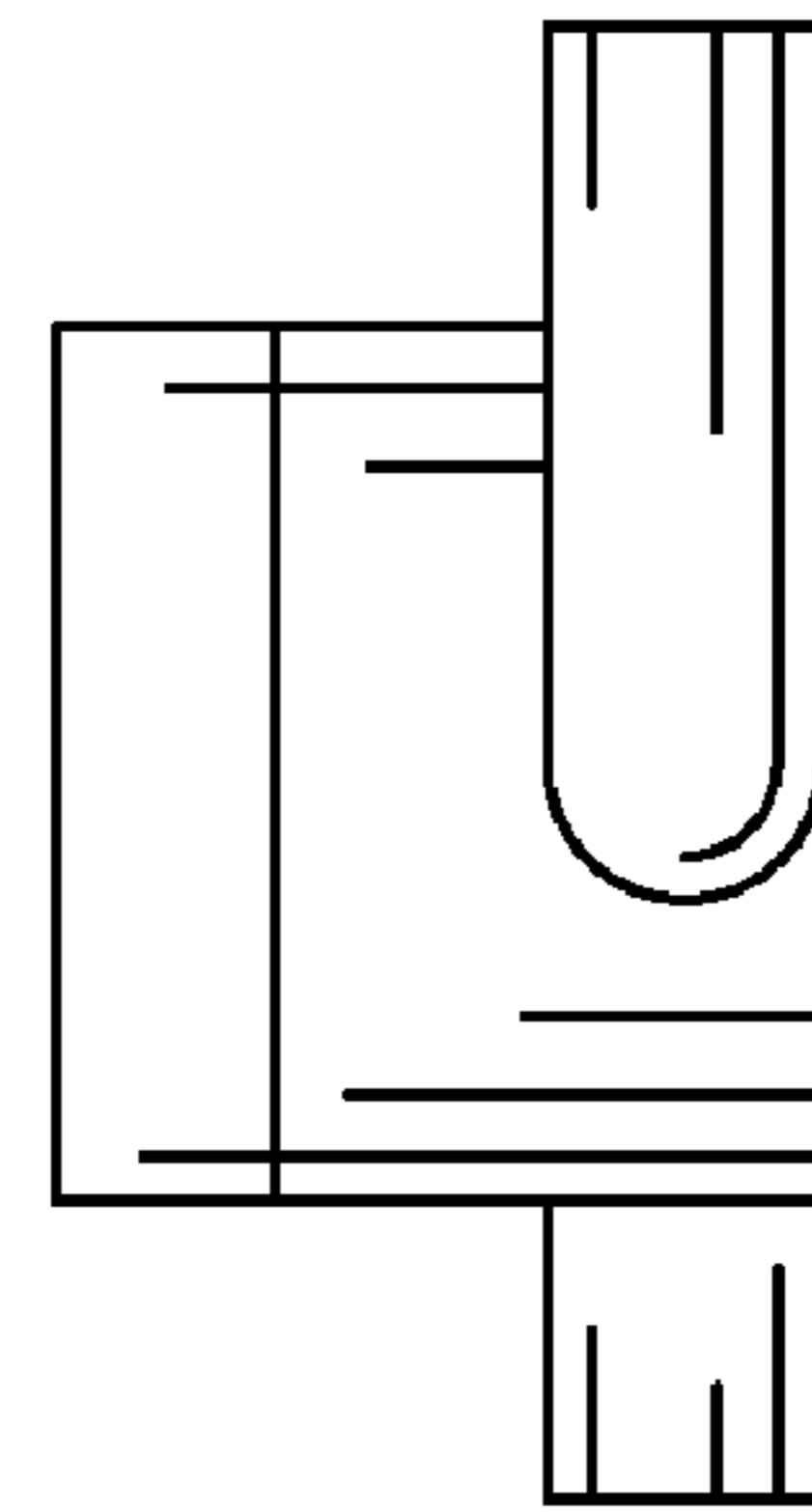


FIG. 5

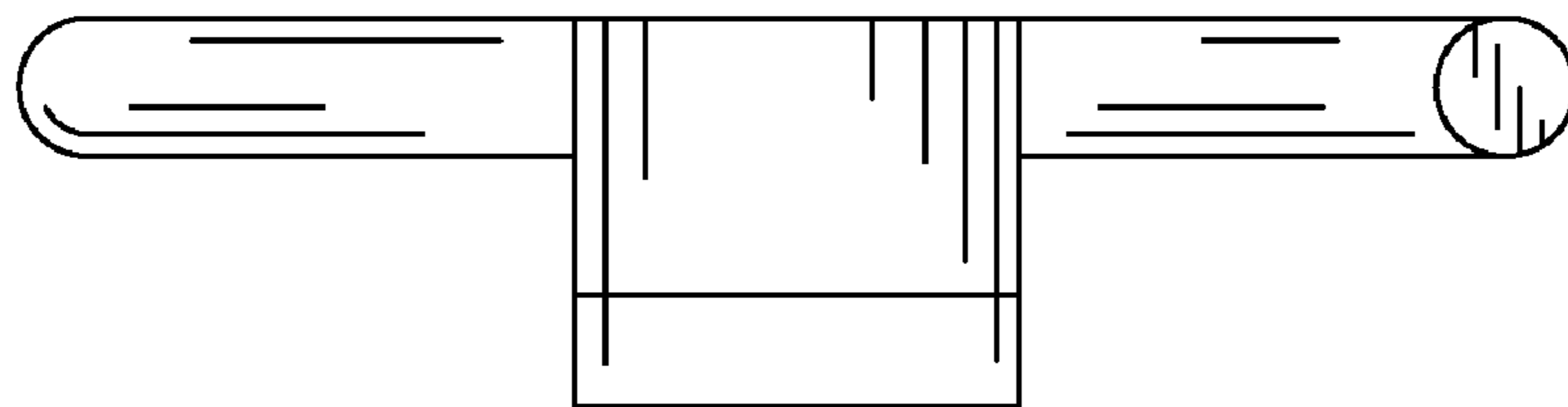


FIG. 6

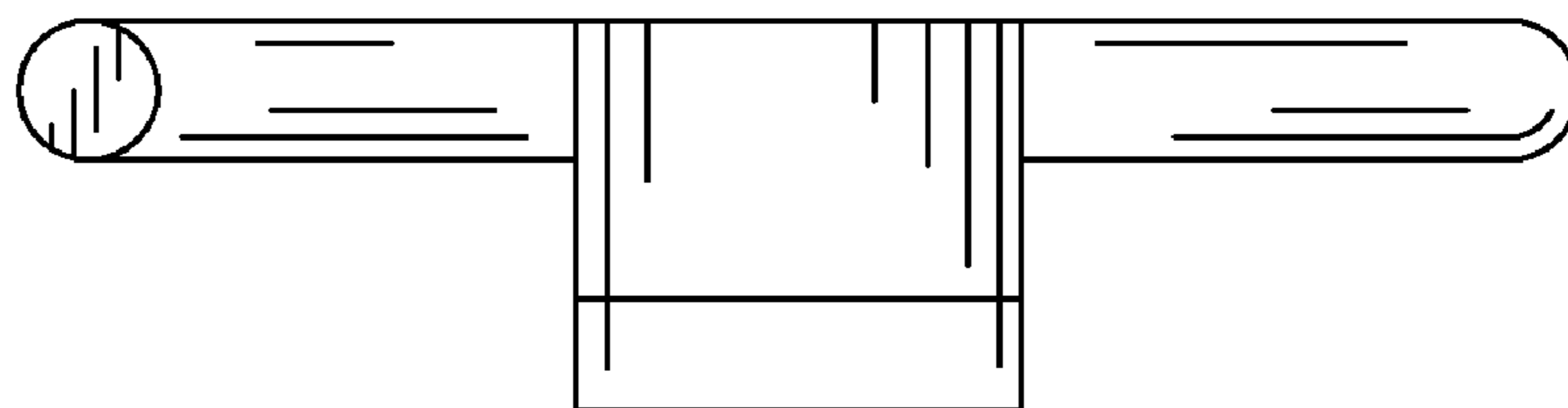


FIG. 7