

US00D663182S

(12) **United States Design Patent**  
**Schoening et al.**

(10) **Patent No.:** **US D663,182 S**  
(45) **Date of Patent:** **\*\* Jul. 10, 2012**

(54) **SAW BODY**

(75) Inventors: **Mark E. Schoening**, Portland, OR (US);  
**Lance Luedtke**, Vancouver, WA (US)

(73) Assignee: **Blount, Inc.**, Portland, OR (US)

(\*\*) Term: **14 Years**

(21) Appl. No.: **29/386,834**

(22) Filed: **Mar. 4, 2011**

(51) **LOC (9) Cl.** ..... **08-03**

(52) **U.S. Cl.** ..... **D8/65**

(58) **Field of Classification Search** ..... D8/65,  
D8/7, 8, 9, 70, 66, 67, 62, 63, 64, 61, 91;  
30/386, 383, 382, 371, 123, 381; 125/21;  
D21/532; 83/832, 833, 834; 123/185.3  
See application file for complete search history.

D547,630 S \* 7/2007 Fisher et al. .... D8/65  
D606,829 S \* 12/2009 Tinius ..... D8/65  
D651,497 S \* 1/2012 Worsnop ..... D8/65  
2002/0124421 A1\* 9/2002 Hermes et al. .... 30/386  
2003/0088987 A1\* 5/2003 Jong ..... 30/381  
2003/0167642 A1\* 9/2003 Chen ..... 30/387  
2007/0240892 A1 10/2007 Brotto  
2007/0245575 A1 10/2007 Rosskamp  
2010/0218385 A1 9/2010 Mang  
2010/0218386 A1 9/2010 Rosskamp  
2010/0218966 A1 9/2010 Liebhard  
2010/0218967 A1 9/2010 Rosskamp

\* cited by examiner

*Primary Examiner* — Austin Murphy

(74) *Attorney, Agent, or Firm* — Schwabe Williamson & Wyatt

(57) **CLAIM**

We claim an ornamental design for a saw body, as shown and described.

(56) **References Cited**

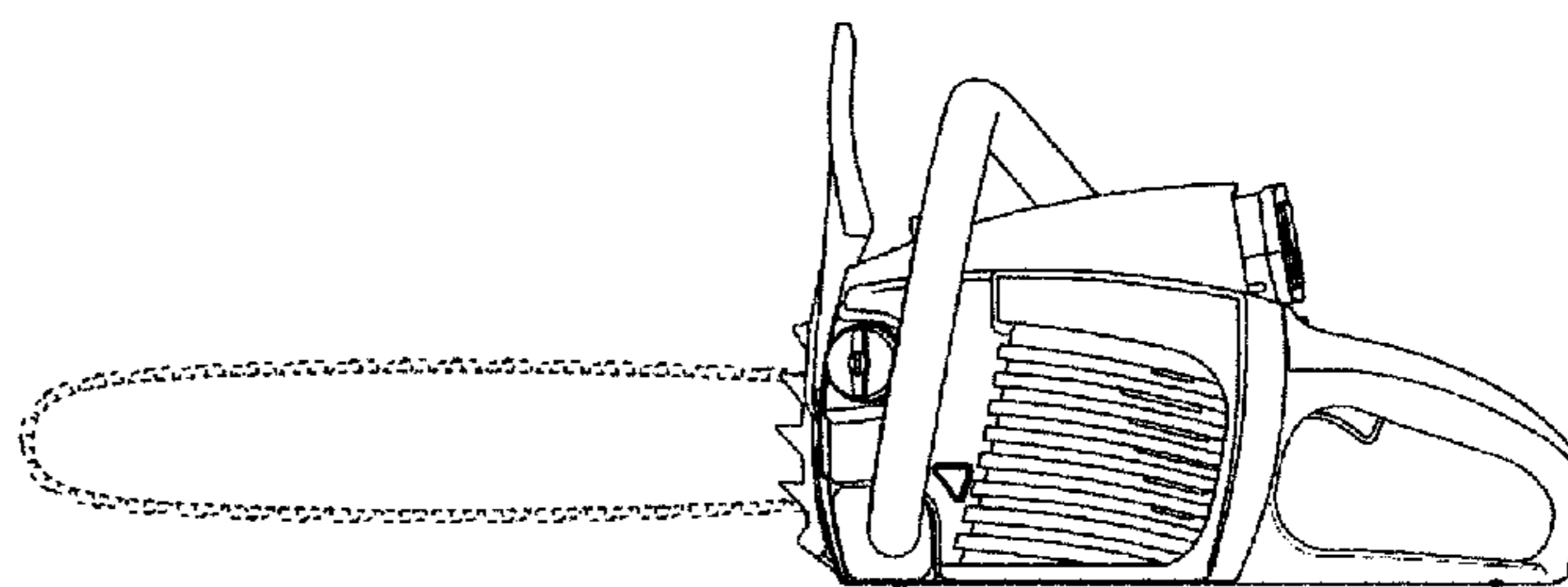
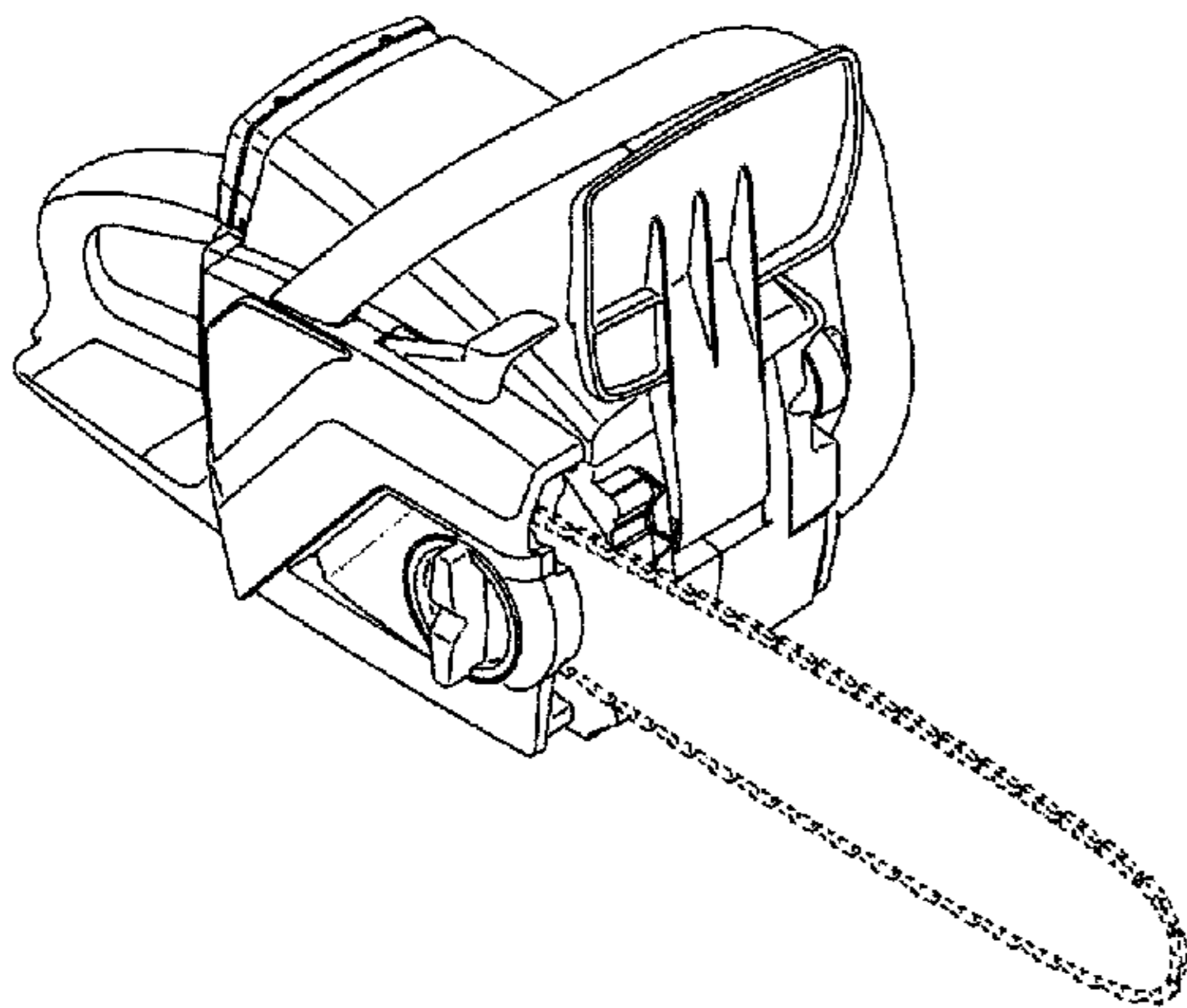
U.S. PATENT DOCUMENTS

D216,384 S \* 12/1969 George ..... D8/65  
D237,352 S \* 10/1975 Shymkus ..... D8/65  
D255,770 S \* 7/1980 Asamoto ..... D8/65  
D273,456 S \* 4/1984 McDougall et al. .... D8/65  
D325,330 S \* 4/1992 Barnhill ..... D8/65  
D361,251 S \* 8/1995 Griffin ..... D8/65  
D365,262 S \* 12/1995 Beaulieu et al. .... D8/65  
D385,766 S \* 11/1997 Kondo et al. .... D8/65  
D408,247 S \* 4/1999 Juratovac et al. .... D8/65  
D445,657 S \* 7/2001 Jong ..... D8/65  
D481,601 S \* 11/2003 Ashfield ..... D8/65  
D538,123 S \* 3/2007 Yates ..... D8/65  
D545,157 S \* 6/2007 Fisher et al. .... D8/65

**DESCRIPTION**

FIG. 1 is a perspective view of a saw body, showing our new design;  
FIG. 2 is a front view thereof;  
FIG. 3 is a rear view thereof;  
FIG. 4 is a right-side view thereof;  
FIG. 5 is a left-side view thereof;  
FIG. 6 is a top view thereof; and,  
FIG. 7 is a bottom view thereof.  
The dashed lines are included for illustrating environmental structure and form no part of the claimed design.

**1 Claim, 7 Drawing Sheets**



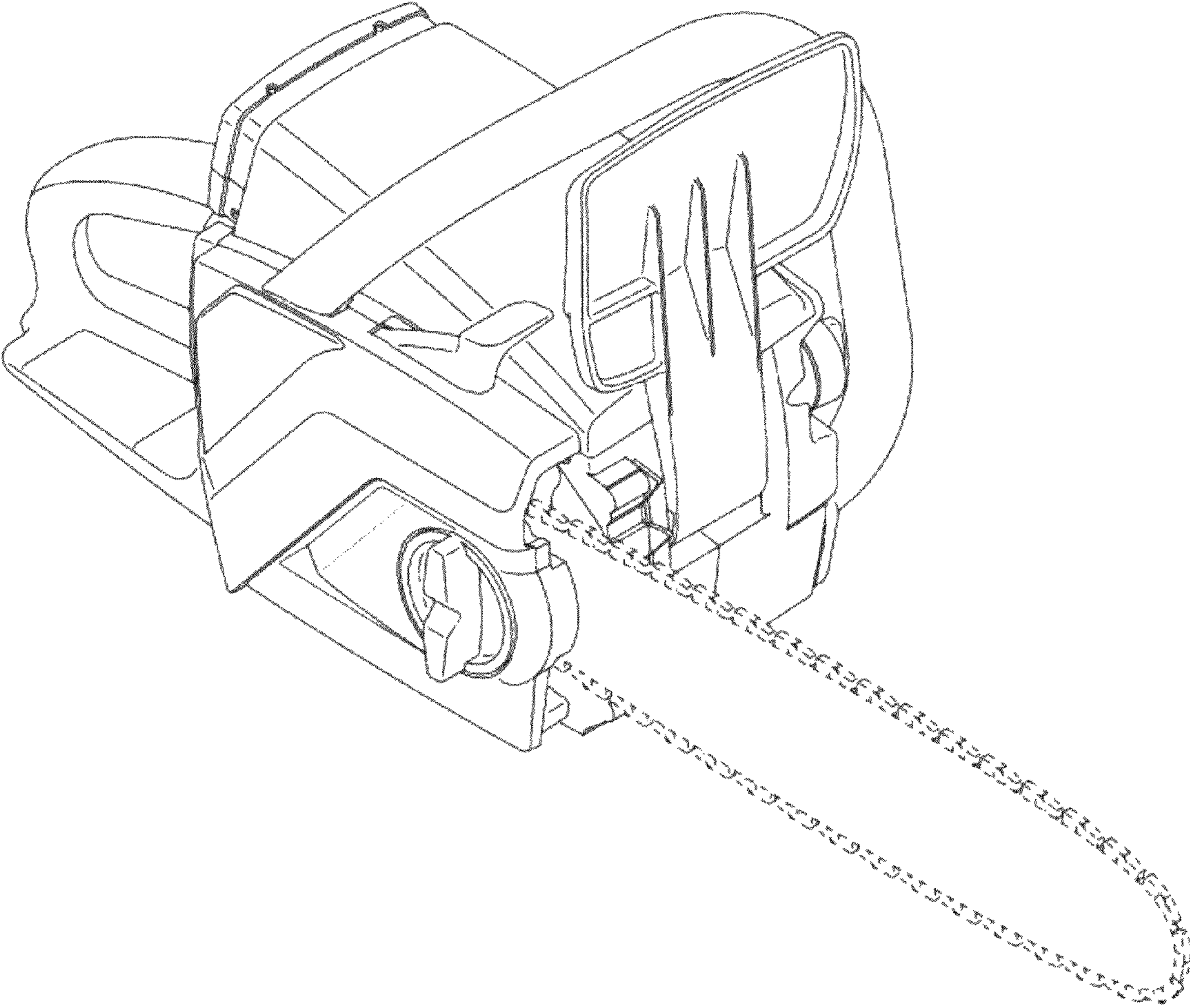


FIG. 1

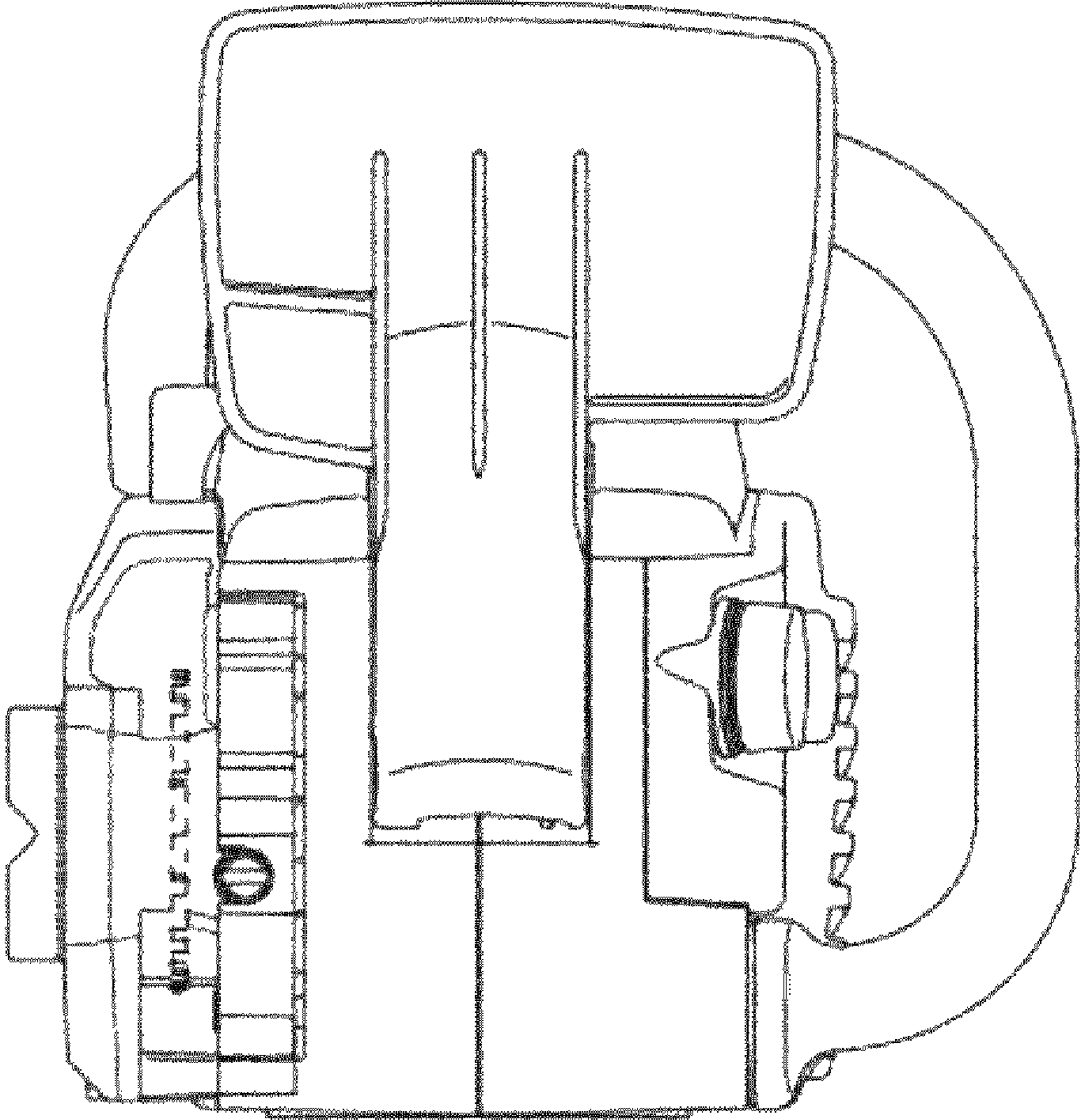


FIG. 2

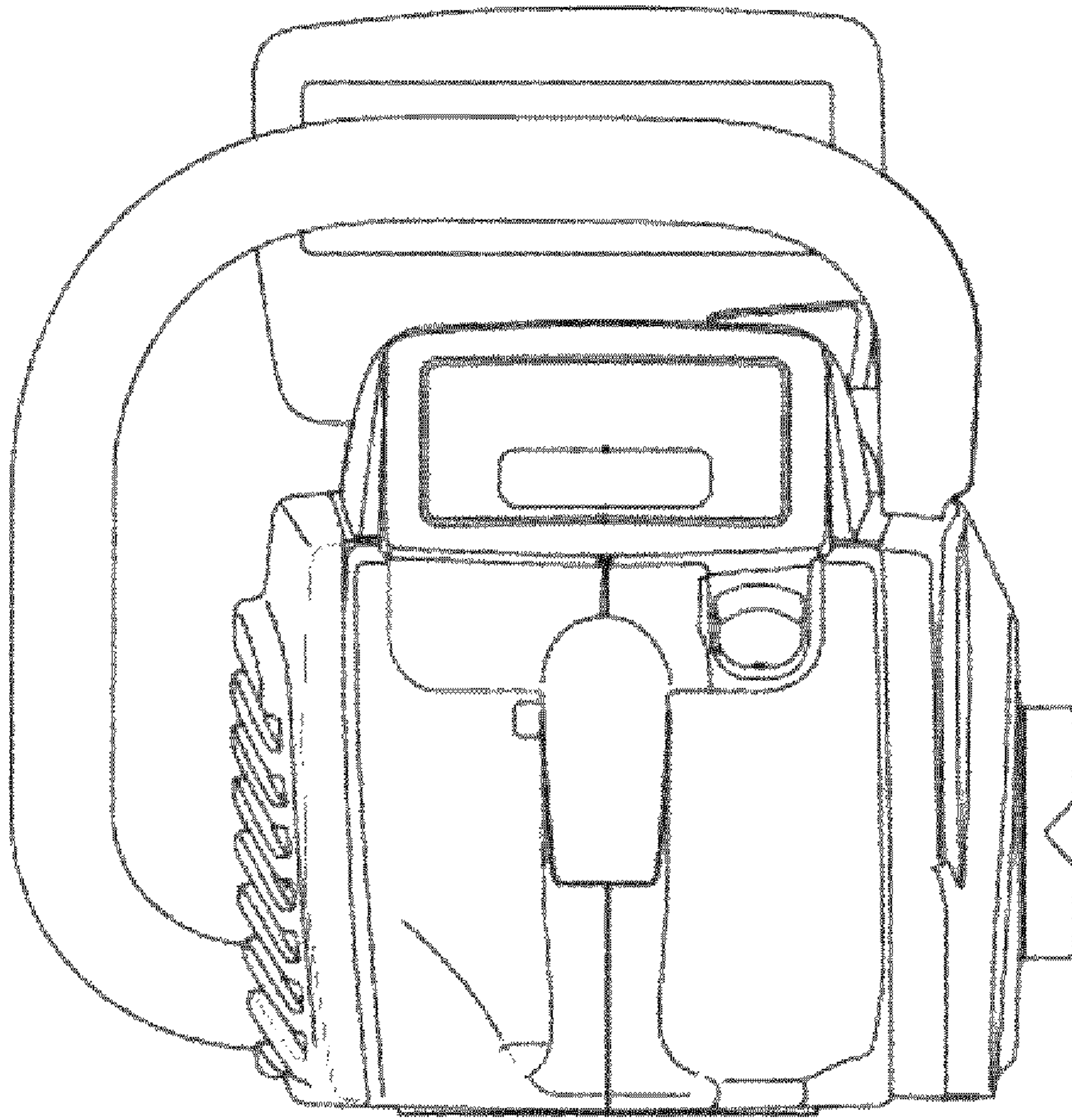


FIG. 3

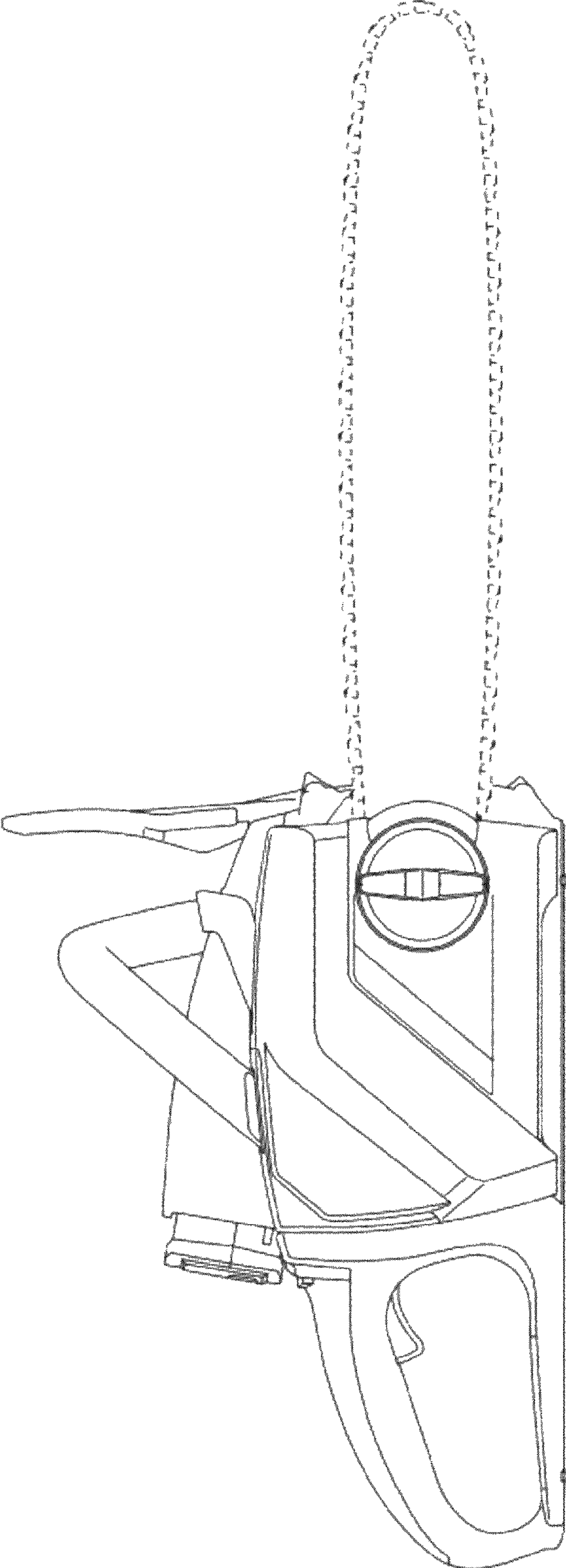


FIG. 4

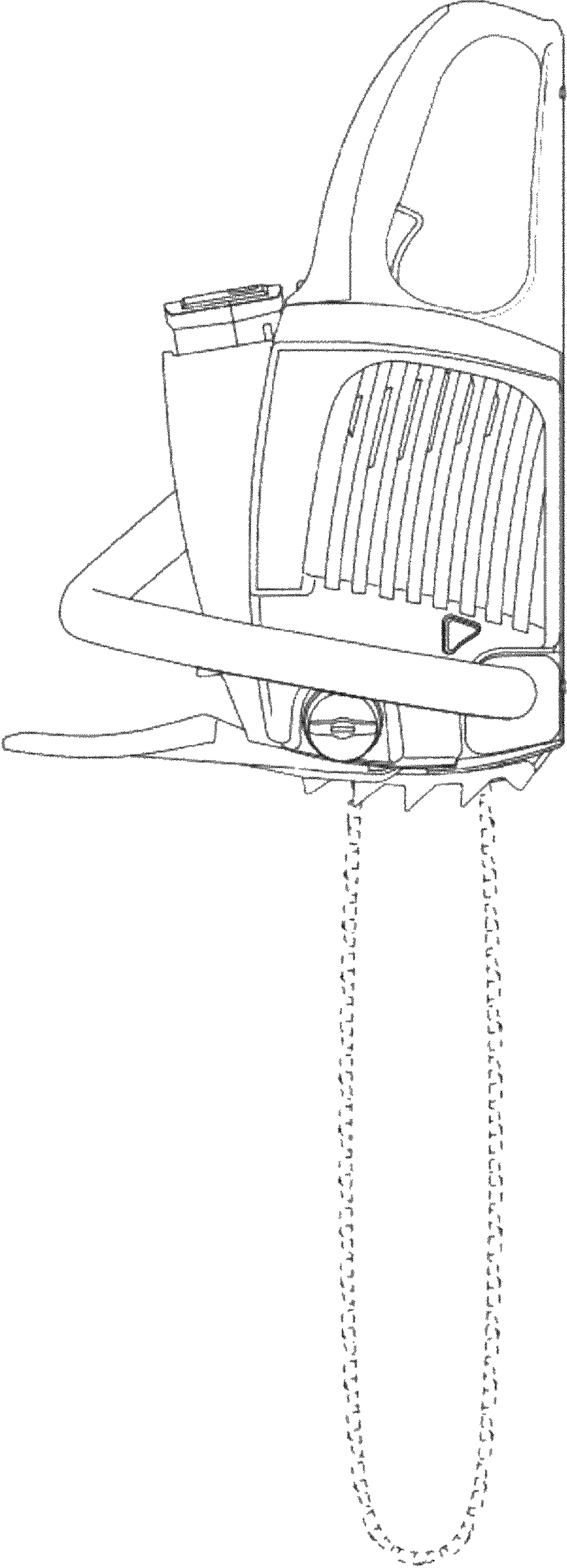


FIG. 5

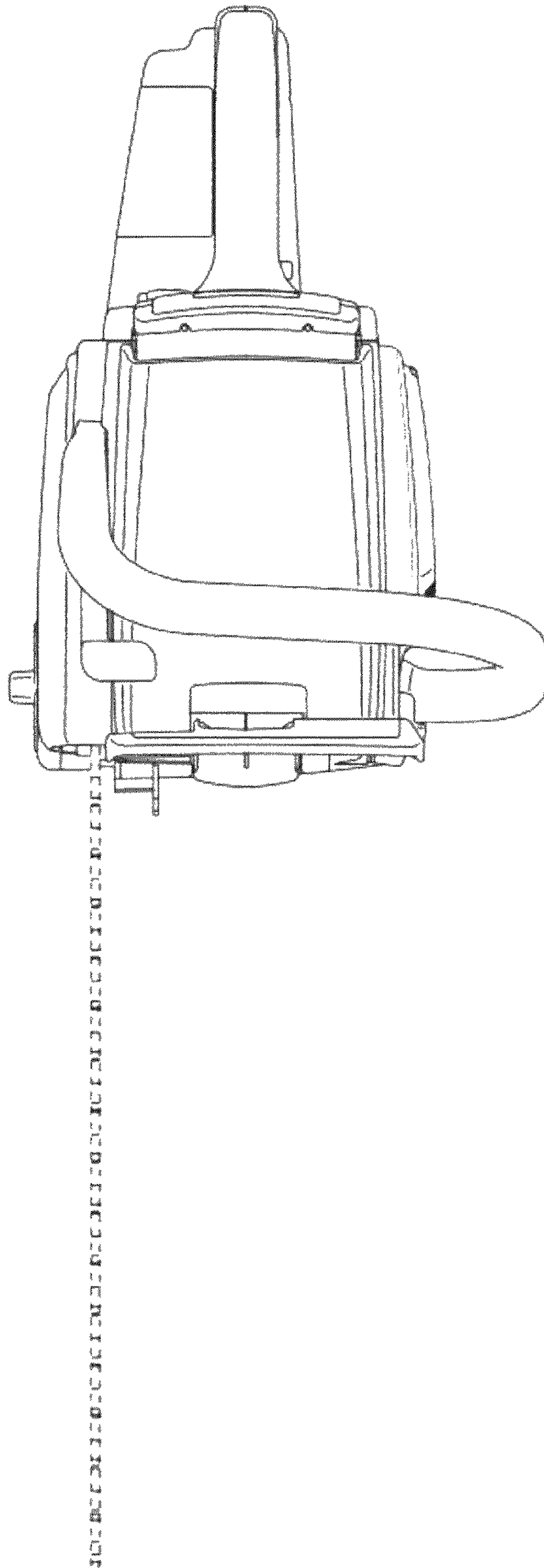


FIG. 6

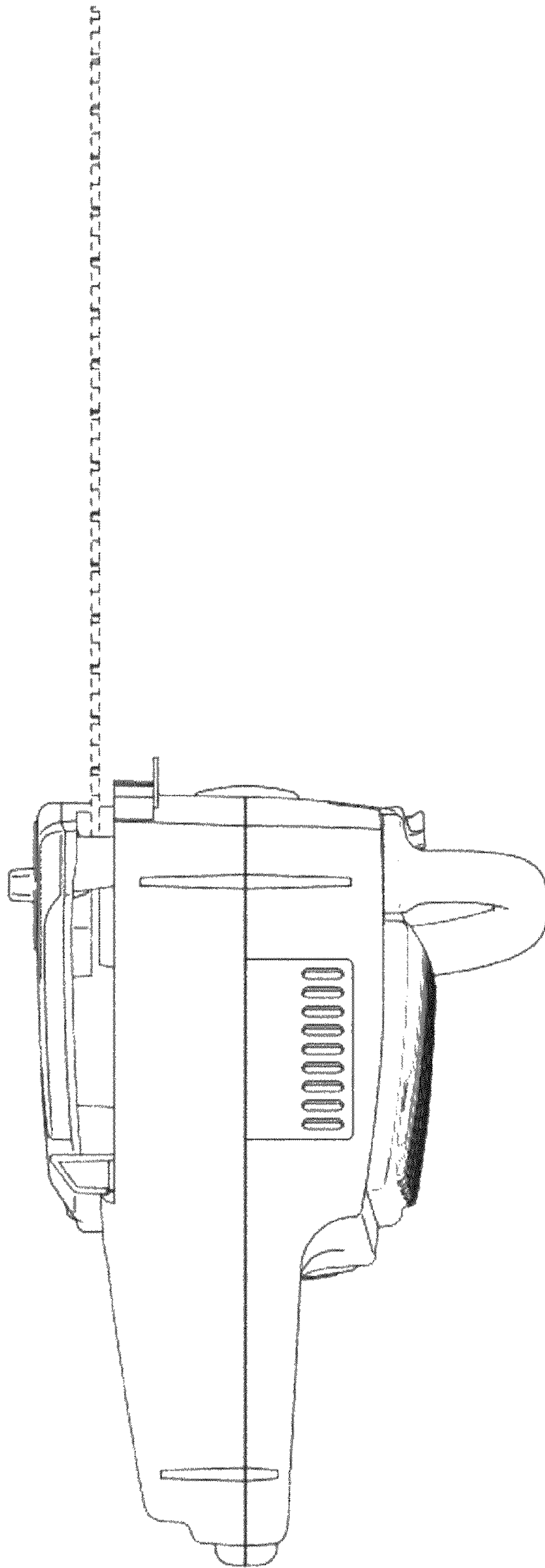


FIG. 7