

US00D663180S

(12) **United States Design Patent**
Jerome et al.

(10) **Patent No.:** **US D663,180 S**
(45) **Date of Patent:** **** Jul. 10, 2012**

(54) **CORDLESS ROTARY TOOL**

(75) Inventors: **Gavin Jerome**, Park Ridge, IL (US);
Edward Abante, Chicago, IL (US);
Adam Erwin, Chicago, IL (US)

(73) Assignees: **Robert Bosch Tool Corp.**, Broadview,
IL (US); **Robert Bosch GmbH**, Stuttgart
(DE)

(**) Term: **14 Years**

(21) Appl. No.: **29/408,673**

(22) Filed: **Dec. 15, 2011**

(51) **LOC (9) Cl.** **08-01**

(52) **U.S. Cl.** **D8/61**

(58) **Field of Classification Search** D8/61,
D8/62, 67, 69; 81/57, 57.11, 57.14, 57.26,
81/429, 464, 469; 173/2, 170, 176, 181
See application file for complete search history.

(56) **References Cited**

U.S. PATENT DOCUMENTS

D427,870 S *	7/2000	Heun	D8/61
D433,905 S *	11/2000	Cooper	D8/61
D446,431 S *	8/2001	Lui	D8/61
D469,671 S *	2/2003	Prell et al.	D8/61
D477,202 S *	7/2003	Duennes	D8/61
D507,730 S *	7/2005	Oles et al.	D8/61
D510,848 S *	10/2005	Singh et al.	D8/61
D529,354 S *	10/2006	Davis et al.	D8/61

D556,000 S *	11/2007	Singh et al.	D8/61
D559,639 S *	1/2008	Henssler et al.	D8/61
D565,916 S *	4/2008	Chen	D8/61
D567,046 S *	4/2008	Henssler et al.	D8/61
D569,205 S *	5/2008	Lai	D8/61
D577,974 S *	10/2008	Miller	D8/70
D586,195 S *	2/2009	Okuda	D8/61
D598,260 S *	8/2009	Jerome et al.	D8/61
D618,079 S *	6/2010	Blythe et al.	D8/61
D634,998 S *	3/2011	Garfield et al.	D8/61

* cited by examiner

Primary Examiner — Austin Murphy

(74) *Attorney, Agent, or Firm* — Taft Stettinius + Hollister,
LLP; Keith J. Swedo, Esq.

(57) **CLAIM**

The ornamental design for the cordless rotary tool, as shown
and described.

DESCRIPTION

FIG. 1 is a front left perspective view of the cordless rotary
tool;

FIG. 2 is a left side view thereof;

FIG. 3 is a top view thereof;

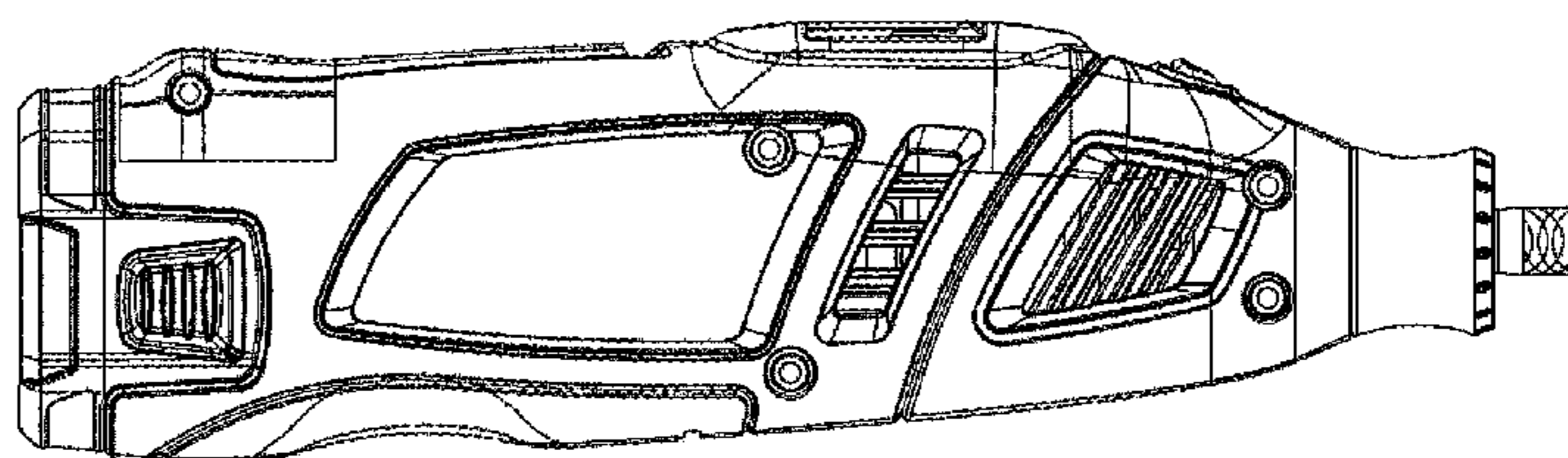
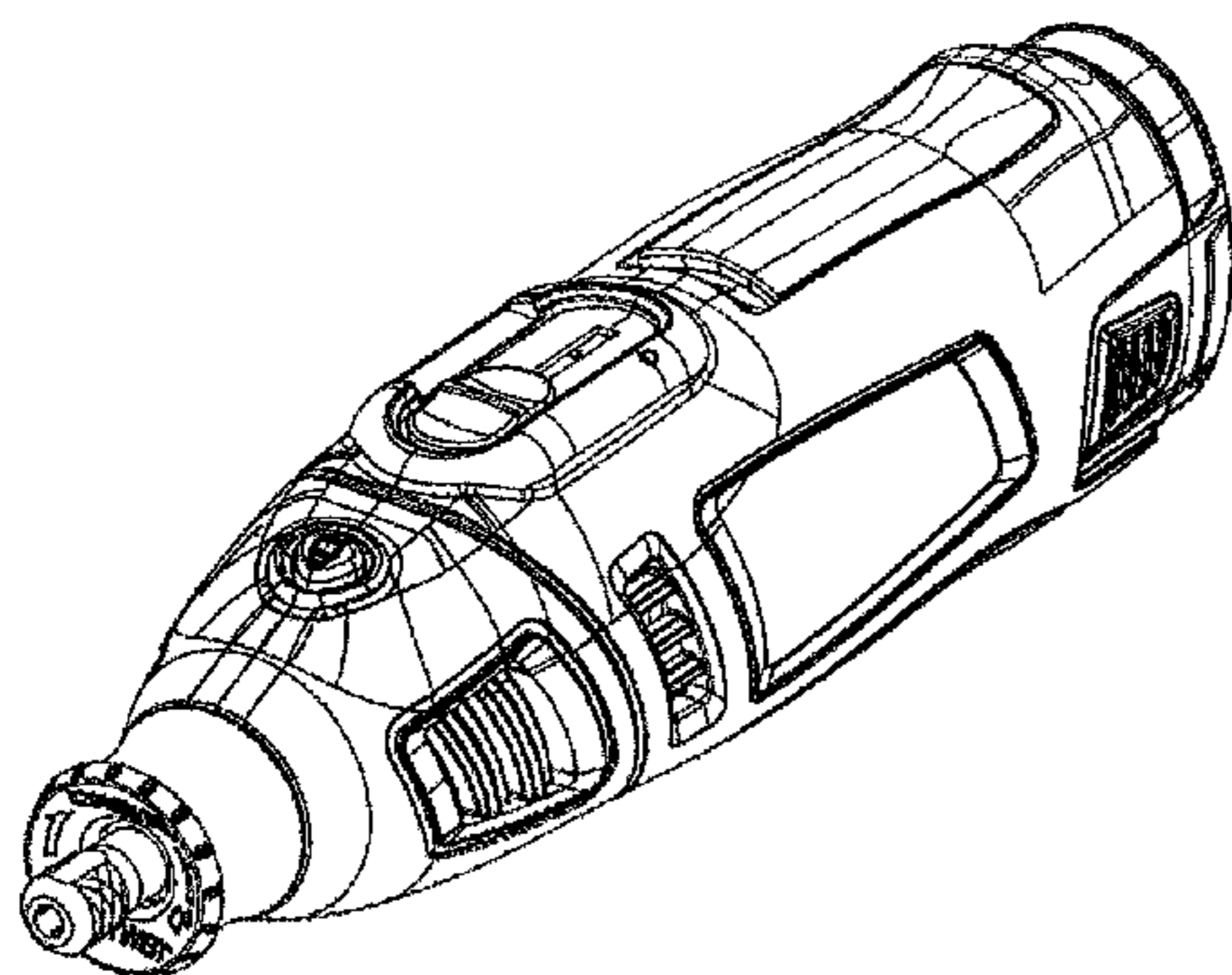
FIG. 4 is a bottom view thereof;

FIG. 5 is a right side view thereof;

FIG. 6 is a front view thereof; and,

FIG. 7 is a rear view thereof.

1 Claim, 6 Drawing Sheets



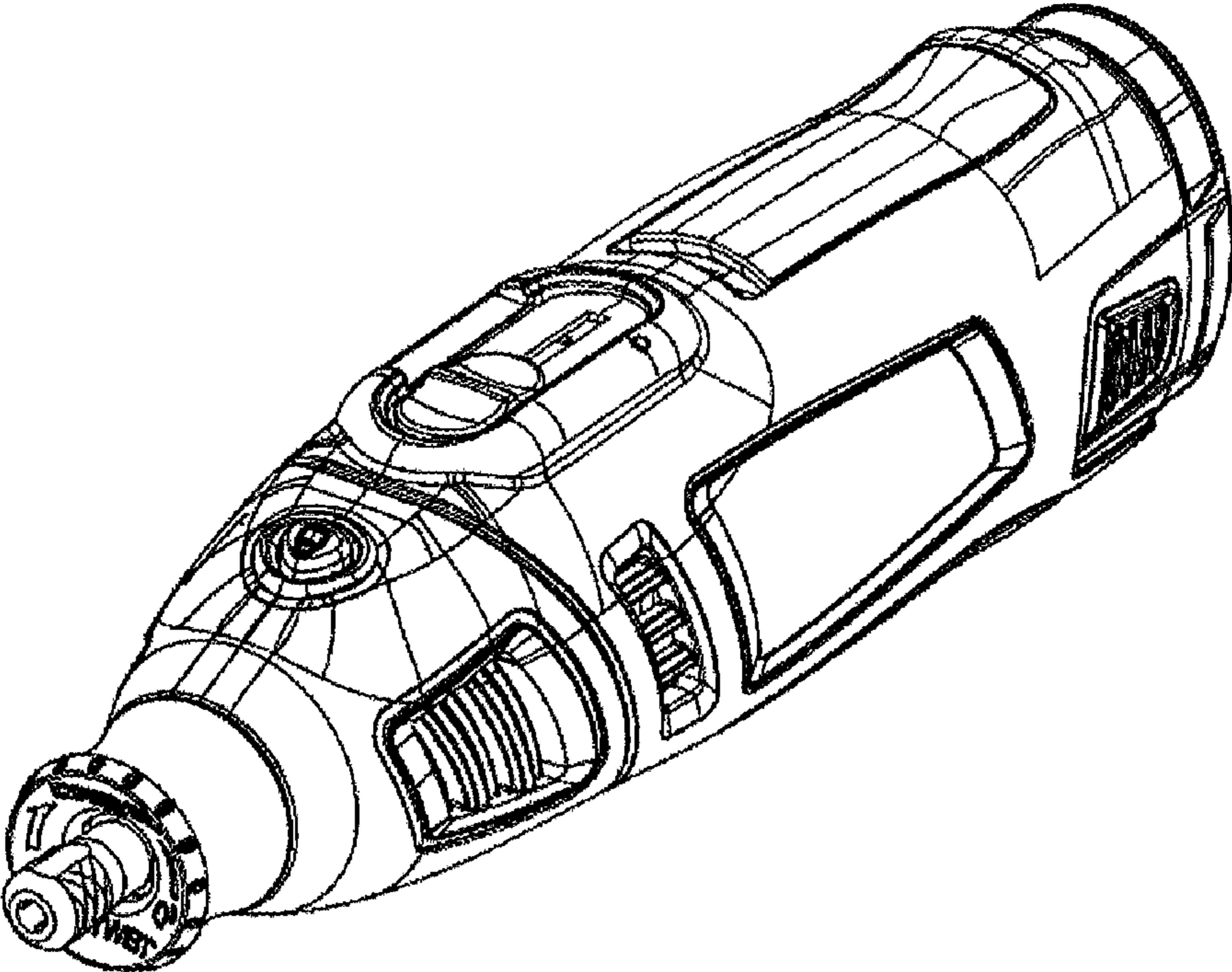


FIG. 1

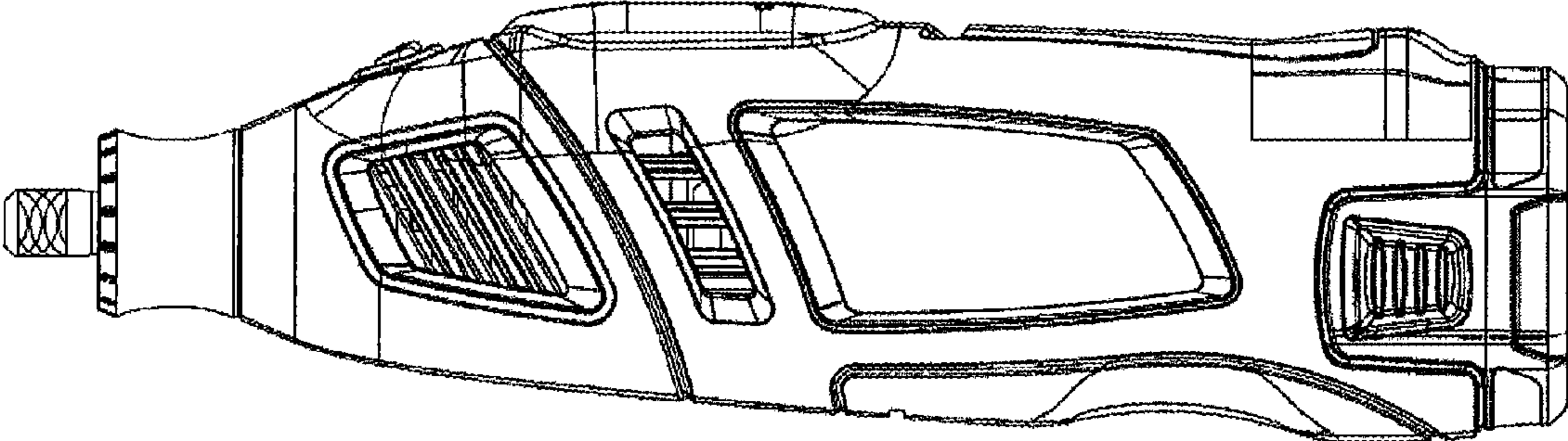


FIG. 2

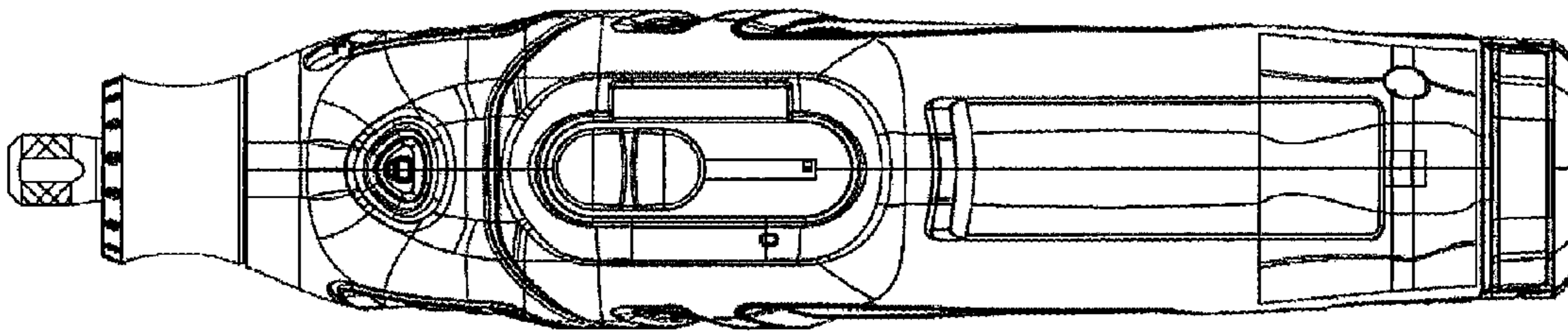


FIG. 3

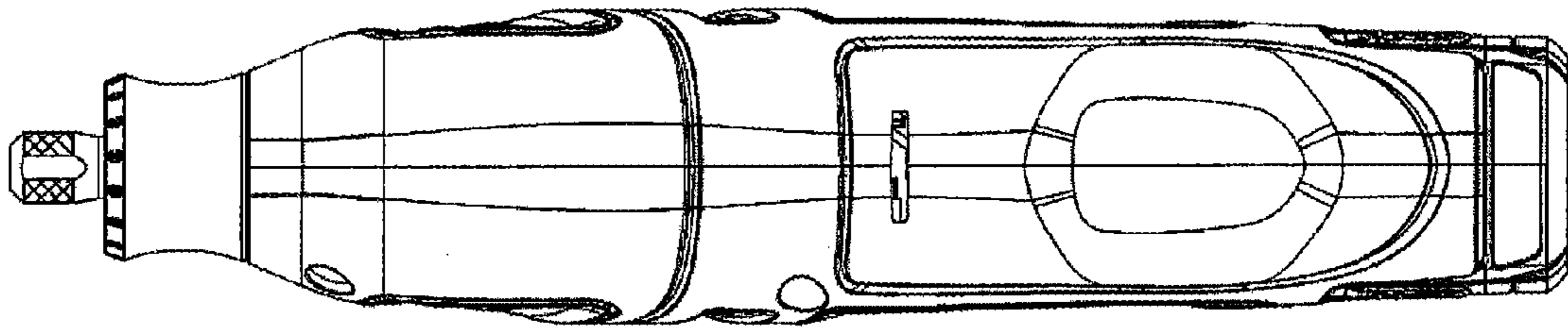


FIG. 4

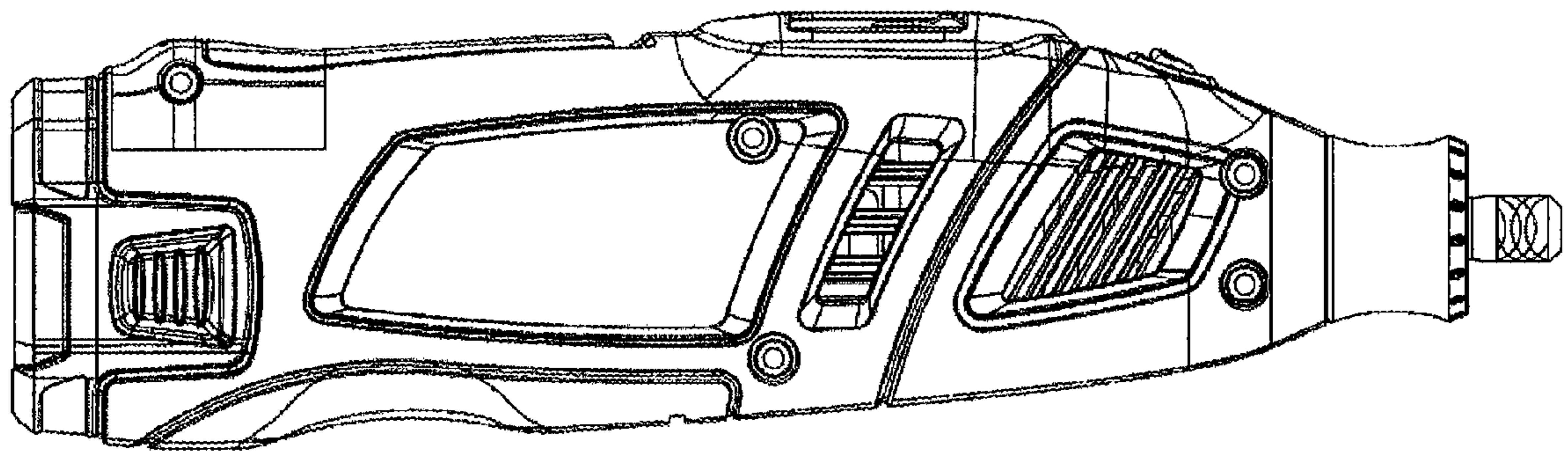


FIG. 5

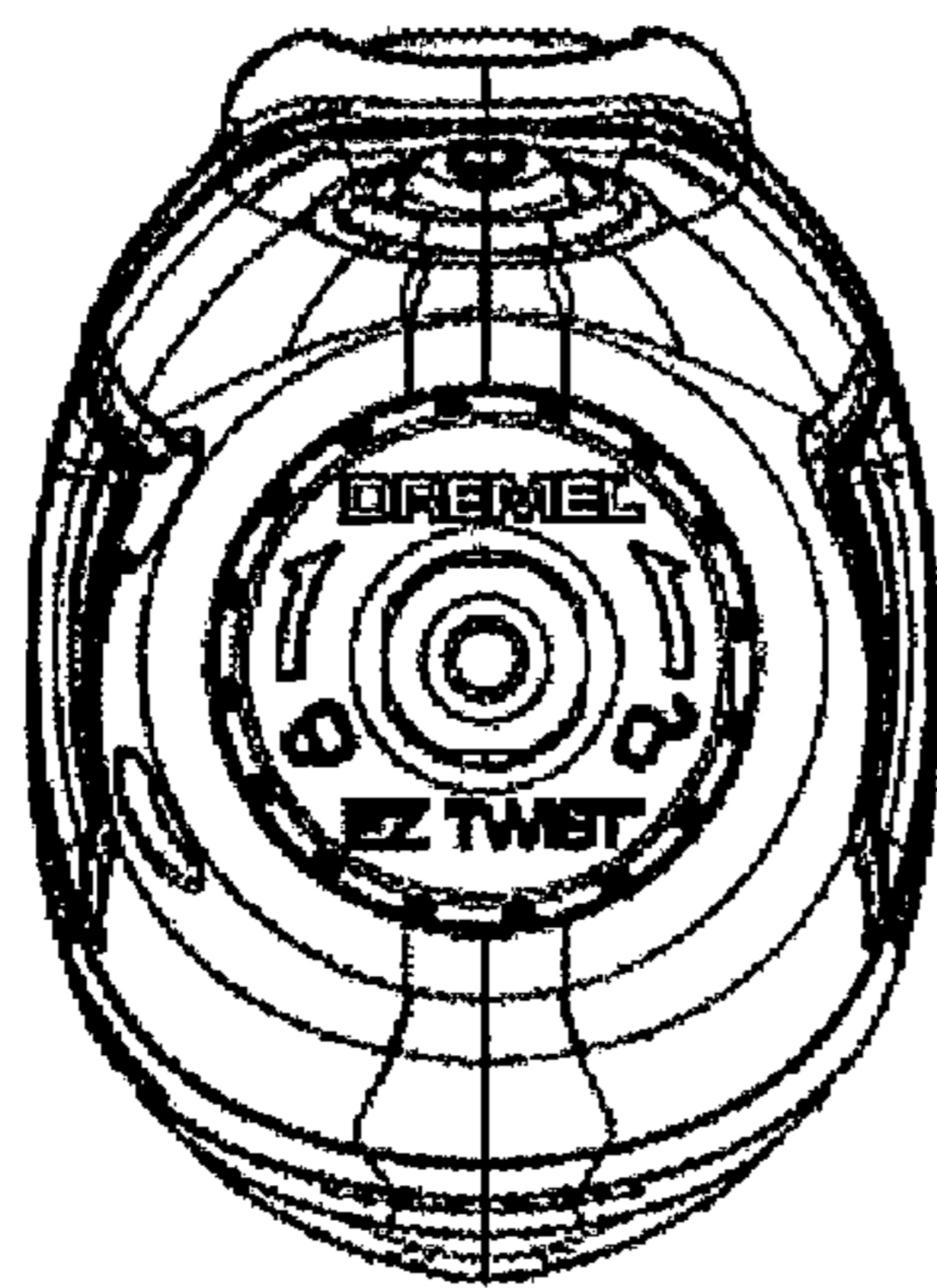


FIG. 6

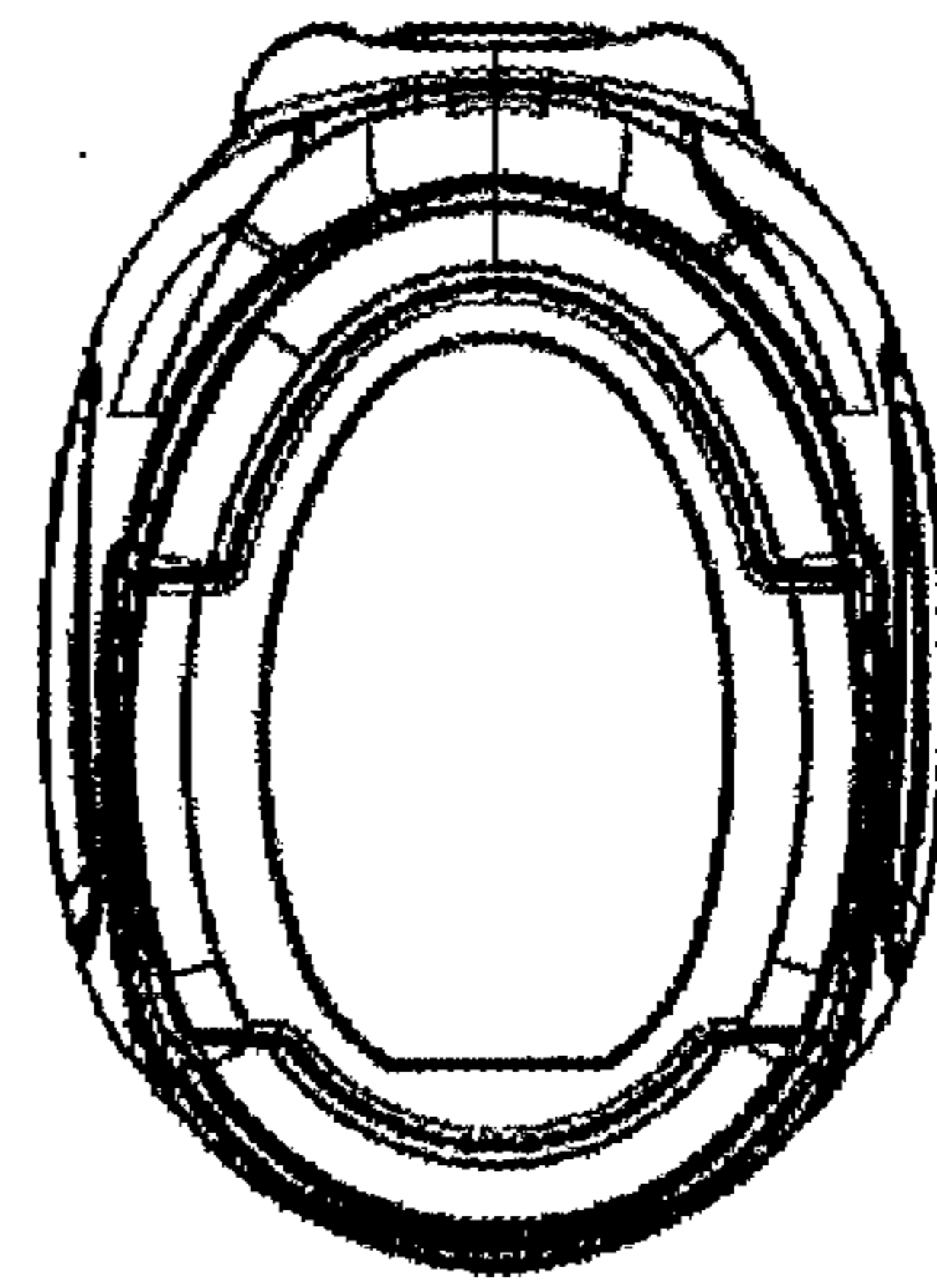


FIG. 7