



US00D663179S

(12) **United States Design Patent**
Mauffette

(10) **Patent No.:** **US D663,179 S**
(45) **Date of Patent:** **** Jul. 10, 2012**

- (54) **FOIL CUTTER FOR A WINE BOTTLE**
- (75) Inventor: **Claude Mauffette**, Montreal (CA)
- (73) Assignee: **Trudeau Corporation 1889 Inc.**
- (**) Term: **14 Years**
- (21) Appl. No.: **29/398,860**
- (22) Filed: **Aug. 5, 2011**
- (51) **LOC (9) Cl.** **07-99**
- (52) **U.S. Cl.** **D8/41**
- (58) **Field of Classification Search** D8/14,
D8/16-19, 33-43, 88, 89, 105; 7/113, 151-156;
30/400-410, 416-430, 433, 434, 443, 450;
81/3.07, 3.09, 3.2, 3.27, 3.29, 3.31, 3.35,
81/3.37, 3.4, 3.45, 3.48, 3.49, 3.55
See application file for complete search history.

- D474,383 S * 5/2003 Christianson D8/41
- D491,776 S * 6/2004 Kehoe D8/41
- D605,011 S * 12/2009 Jalet D8/41

* cited by examiner

Primary Examiner — Garth Rademaker

(74) *Attorney, Agent, or Firm* — Marshall, Gerstein & Borun LLP; Richard M. LaBarge

(57) **CLAIM**

I claim the ornamental design for a foil cutter for a wine bottle, as shown and described.

DESCRIPTION

FIG. 1 is a rear side perspective view of a foil cutter for a wine bottle according to the present design;
 FIG. 2 is a front elevational view of the foil cutter for a wine bottle of FIG. 1;
 FIG. 3 is a rear elevational view of the foil cutter for a wine bottle of FIG. 1;
 FIG. 4 is a side elevational view of the foil cutter for a wine bottle of FIG. 1;
 FIG. 5 is a top view of the foil cutter for a wine bottle of FIG. 1; and,
 FIG. 6 is a bottom view of the foil cutter for a wine bottle of FIG. 1.

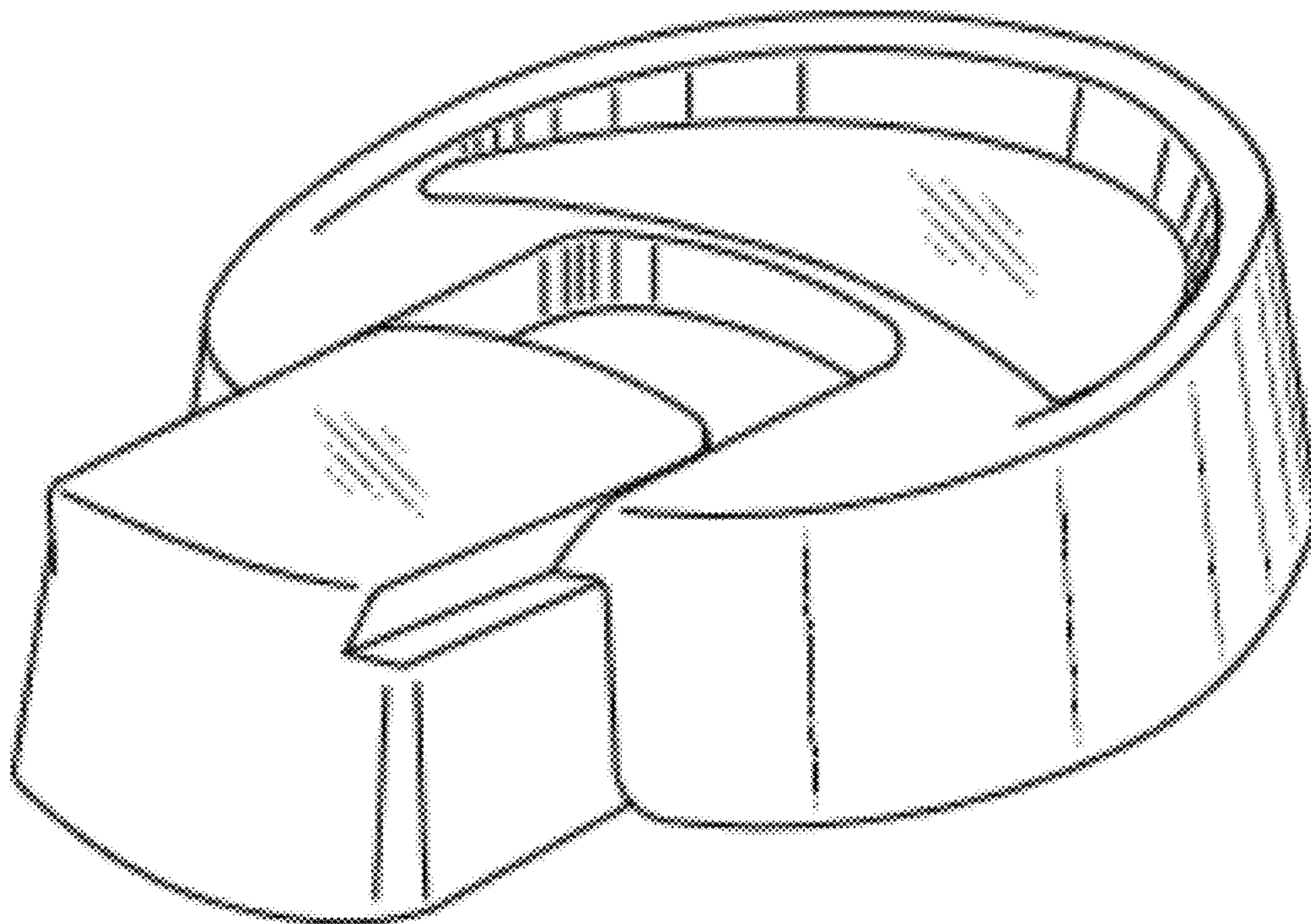
The broken lines depict environmental subject matter only and form no part of the claimed design.

1 Claim, 2 Drawing Sheets

(56) **References Cited**

U.S. PATENT DOCUMENTS

- 3,173,316 A * 3/1965 Bork D8/38
- D208,979 S * 10/1967 Edgerton D8/14
- D256,660 S * 9/1980 Mascia D8/40
- D358,311 S * 5/1995 Sarnoff et al. D8/34
- D383,045 S * 9/1997 Turso D8/38
- D446,103 S * 8/2001 Olaneta D8/41
- D454,288 S * 3/2002 Kilduff D8/41
- D459,174 S * 6/2002 De Bergen D8/41
- D459,963 S * 7/2002 Usbeck D8/41



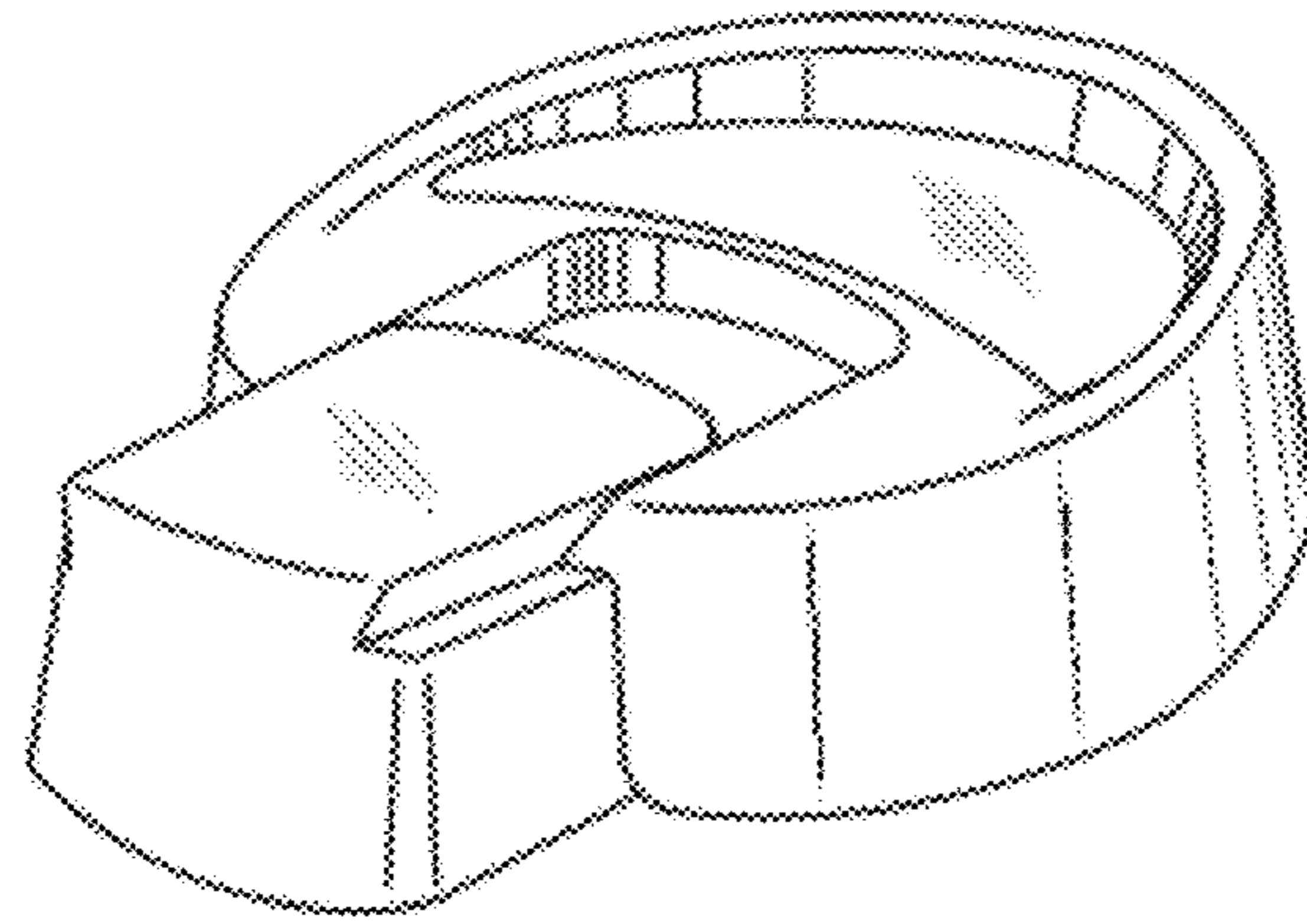


FIG. 1

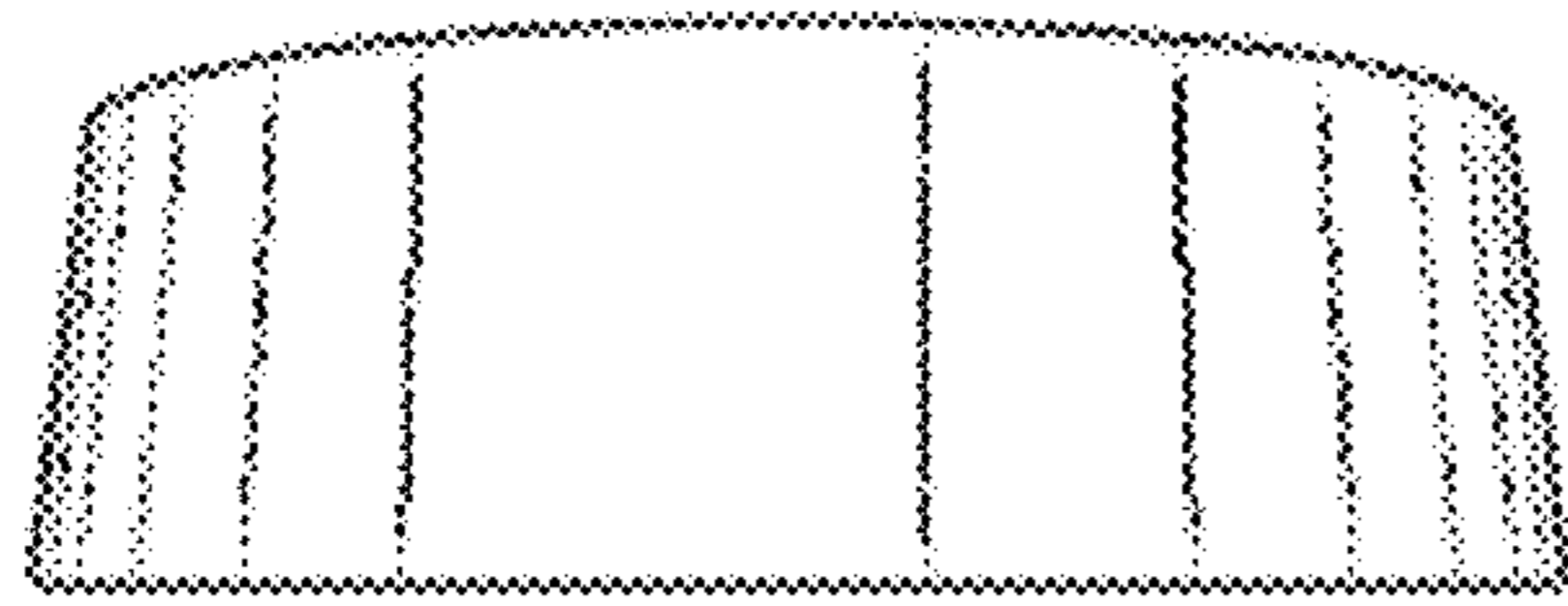


FIG. 2

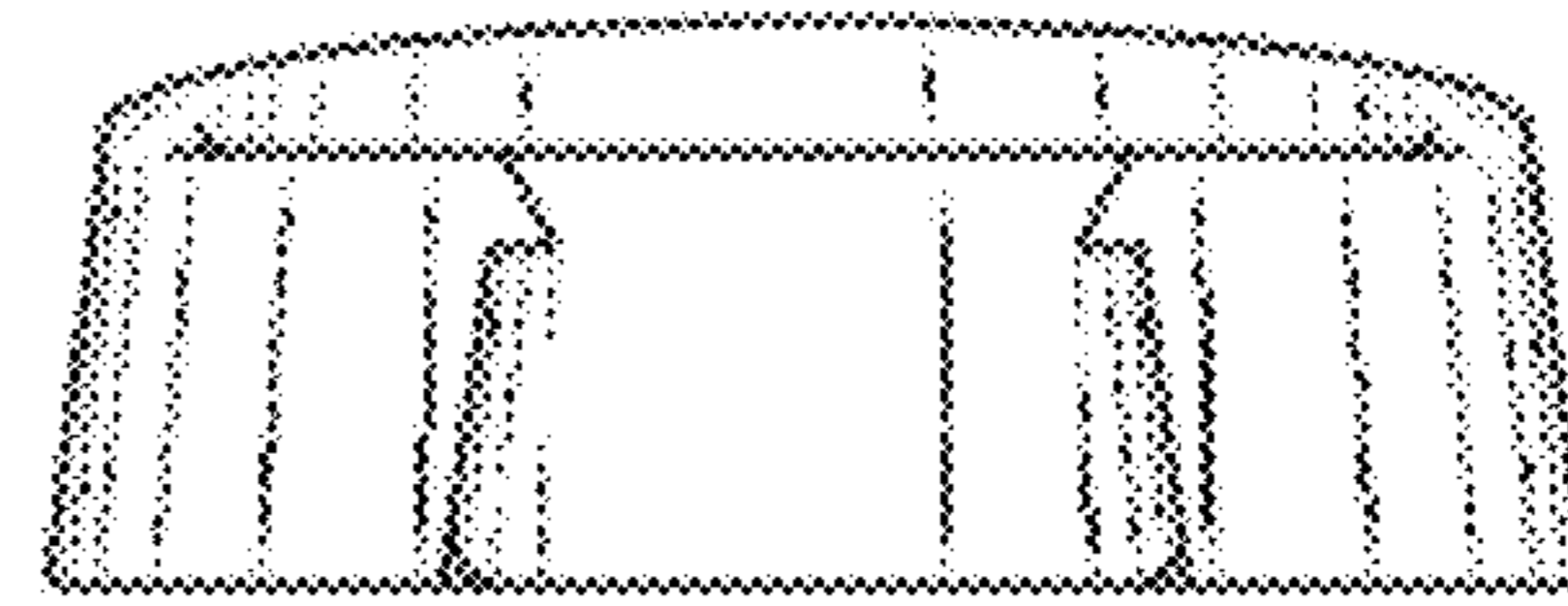


FIG. 3

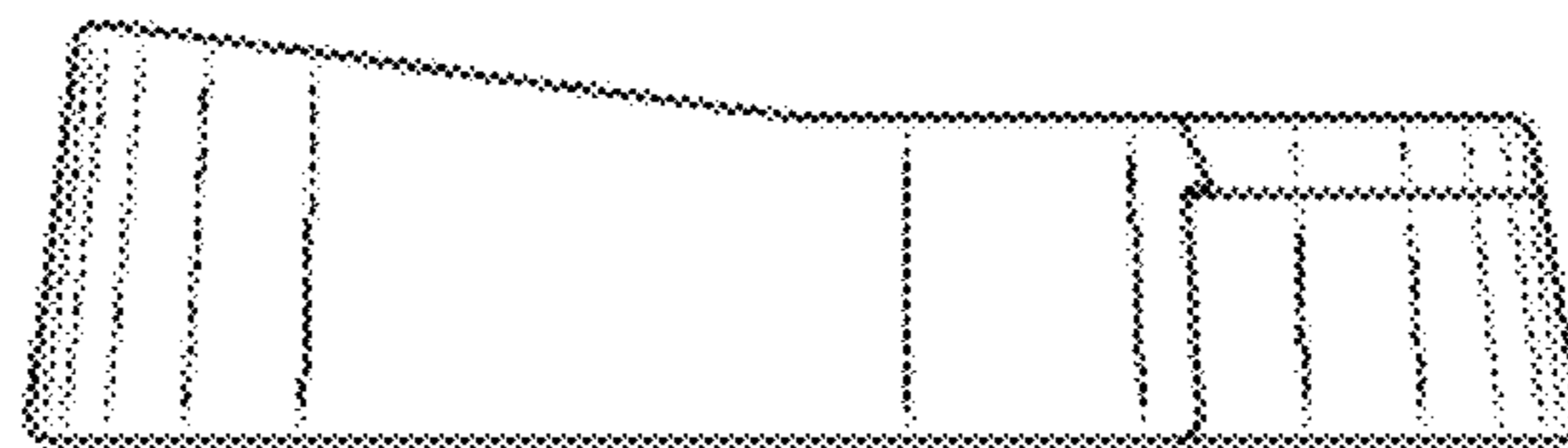


FIG. 4

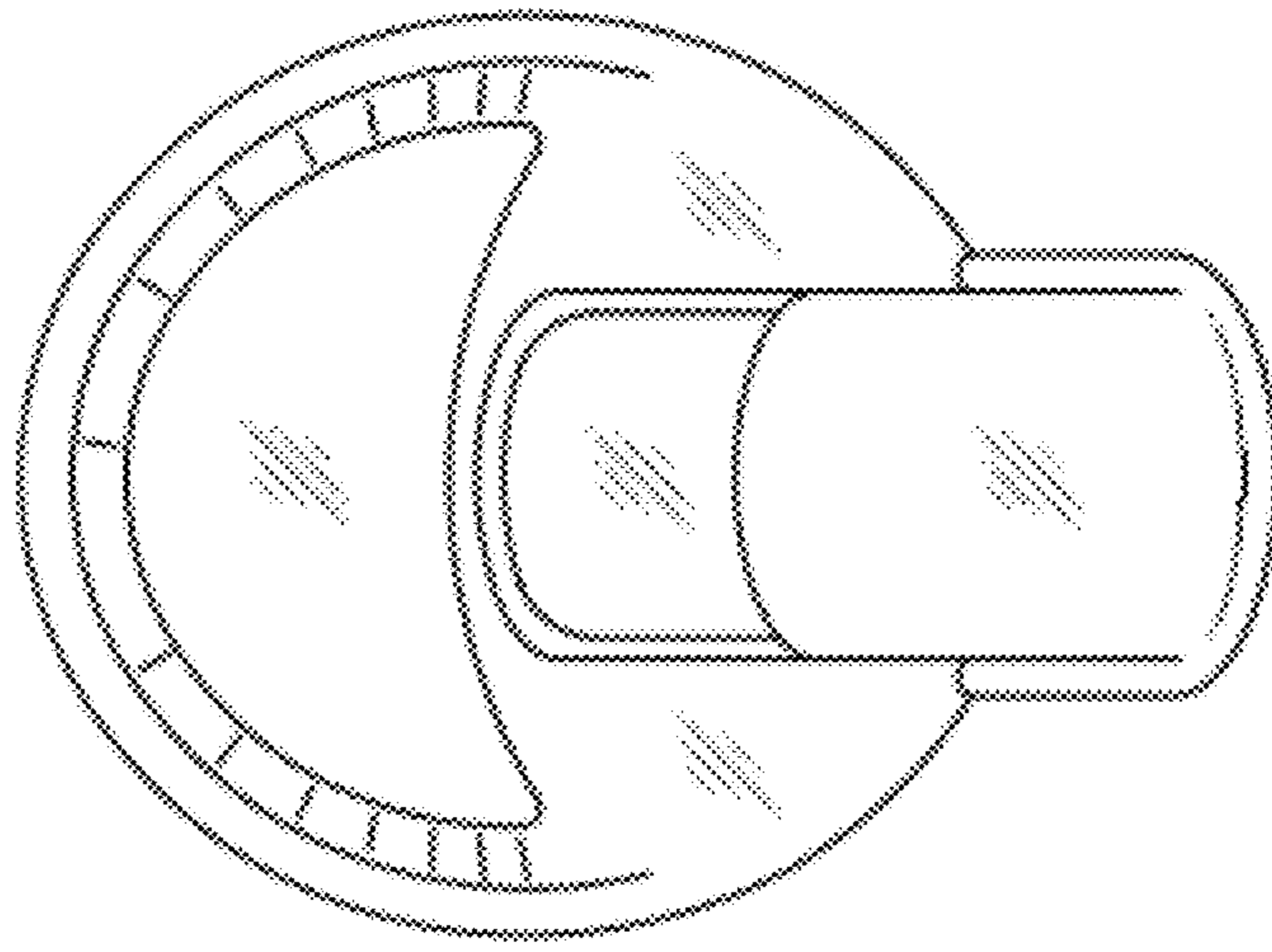


FIG. 5

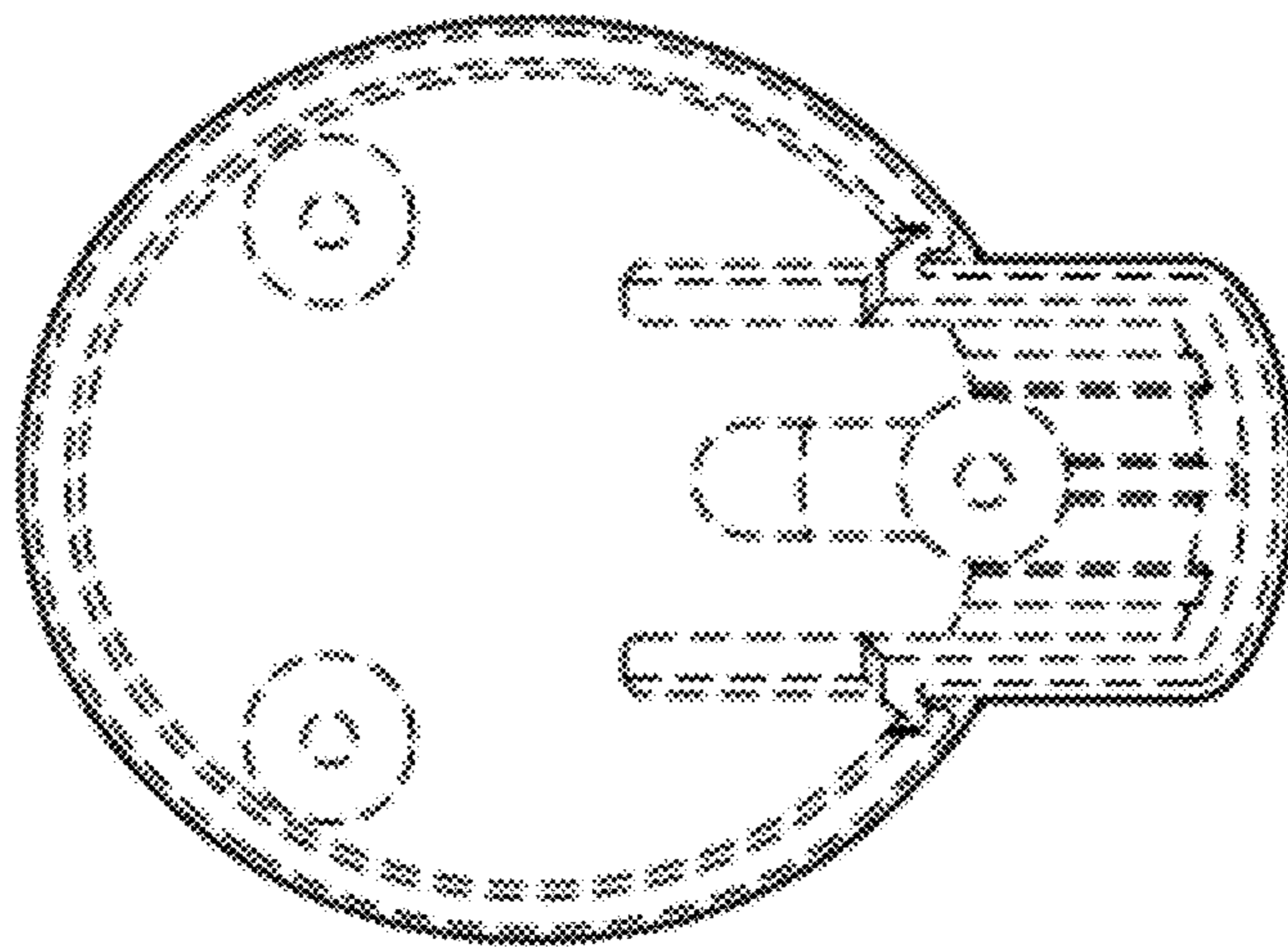


FIG. 6