

US00D663177S

(12) **United States Design Patent**  
**Chen**

(10) **Patent No.:** **US D663,177 S**  
(45) **Date of Patent:** **\*\* Jul. 10, 2012**

- (54) **RATCHET WRENCH**
- (76) Inventor: **Chia-Yu Chen**, Taichung (TW)
- (\*\*) Term: **14 Years**
- (21) Appl. No.: **29/414,874**
- (22) Filed: **Mar. 5, 2012**
- (51) **LOC (9) Cl.** ..... **08-05**
- (52) **U.S. Cl.** ..... **D8/25**
- (58) **Field of Classification Search** ..... D8/17,  
D8/21-29, 97, 107; 81/60, 177.1, 177.85,  
81/121.1, 124.3, 165-170, 110.1, 176.2,  
81/124.6, 176.1, 176.15, 177.2, 186; 16/110.1;  
D15/144.1; 219/75, 227, 229, 121.16, 121.18  
See application file for complete search history.

- D614,930 S \* 5/2010 Garcia et al. .... D8/83
- D617,170 S \* 6/2010 Lai ..... D8/107
- D633,163 S \* 2/2011 Fitzpatrick et al. .... D22/108
- D633,357 S \* 3/2011 Garcia et al. .... D8/83
- D633,358 S \* 3/2011 Deguglimo et al. .... D8/83

\* cited by examiner

*Primary Examiner* — Raphael Barkai  
*Assistant Examiner* — Randall H Gholson  
(74) *Attorney, Agent, or Firm* — Ming Chow; Sinorica, LLC

(57) **CLAIM**  
I claim the ornamental design for a ratchet wrench, as shown and described.

**DESCRIPTION**

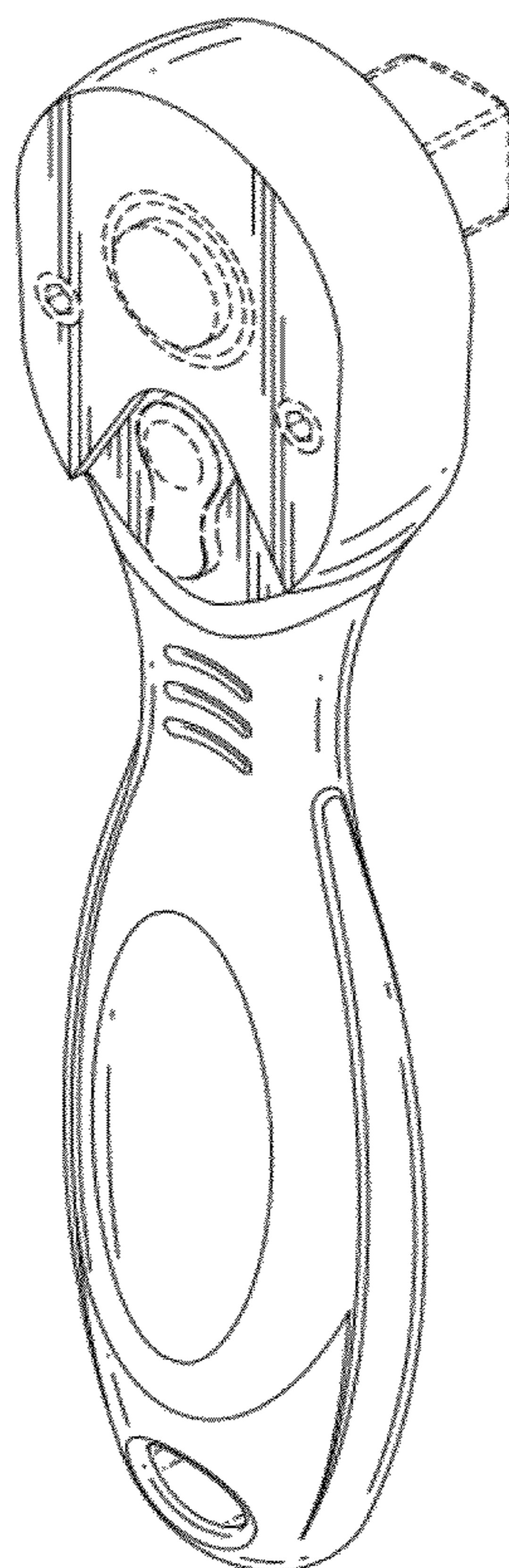
FIG. 1 is a front perspective view of a ratchet wrench showing my new design;  
FIG. 2 is a front elevational view thereof;  
FIG. 3 is a rear elevational view thereof.  
FIG. 4 is a left side elevational view thereof;  
FIG. 5 is a right side elevational view thereof;  
FIG. 6 is a top plan view thereof; and,  
FIG. 7 is a bottom plan view thereof.

**1 Claim, 6 Drawing Sheets**

(56) **References Cited**

**U.S. PATENT DOCUMENTS**

- 6,332,380 B1 \* 12/2001 Macor ..... 81/177.1
- D468,617 S \* 1/2003 Wang ..... D8/107
- D474,662 S \* 5/2003 Canino et al. .... D8/25
- D532,275 S \* 11/2006 Lin ..... D8/107
- D562,652 S \* 2/2008 Liao ..... D8/25
- D610,895 S \* 3/2010 Garcia et al. .... D8/107
- D614,819 S \* 4/2010 Lin ..... D30/159



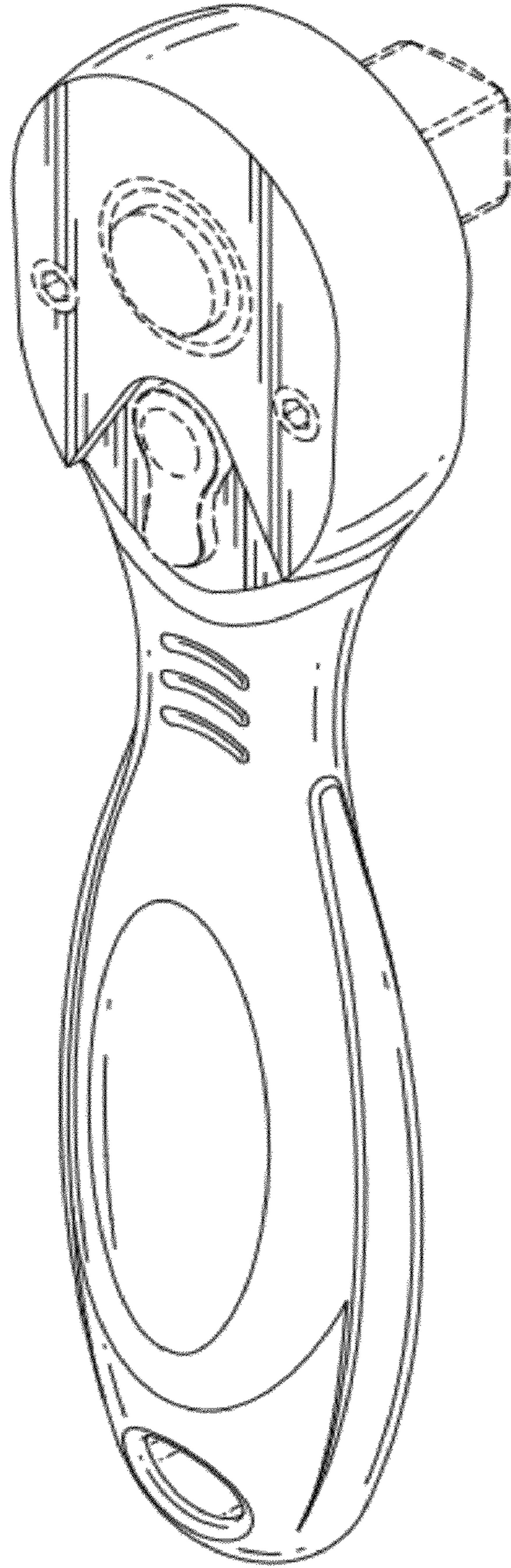


FIG. 1

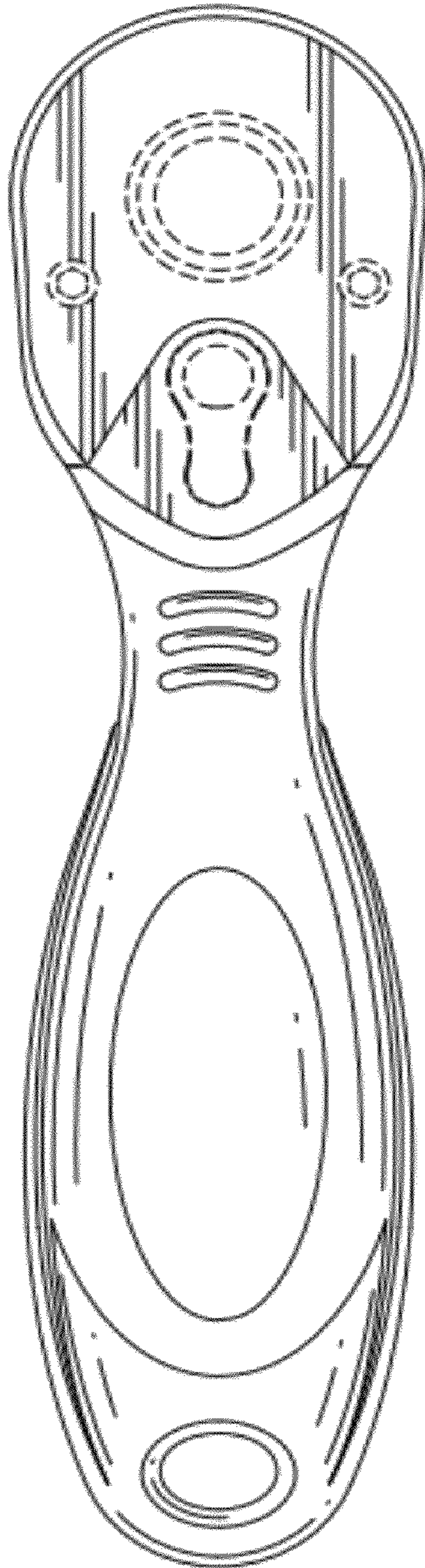


FIG. 2

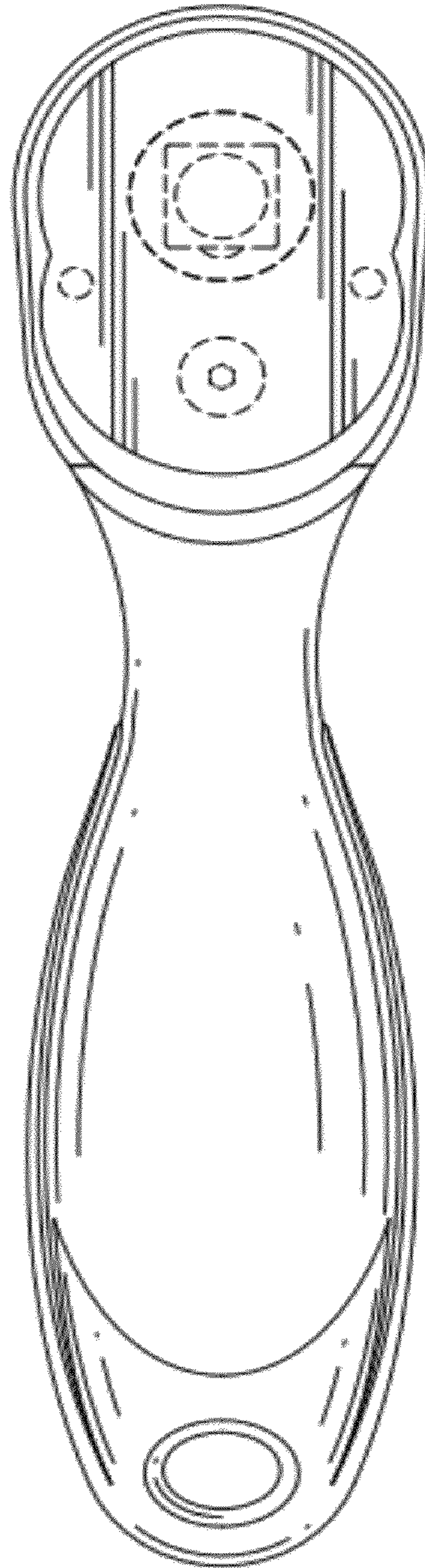


FIG. 3

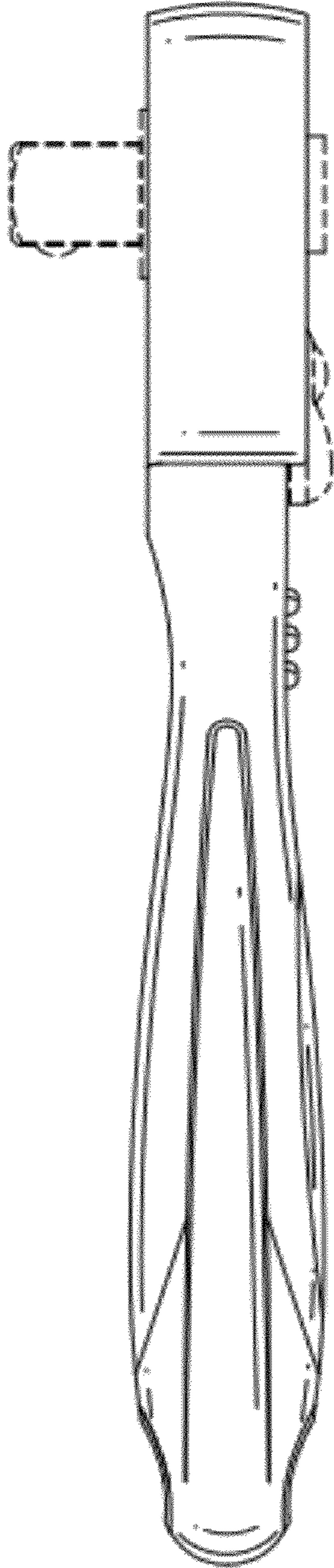


FIG. 4

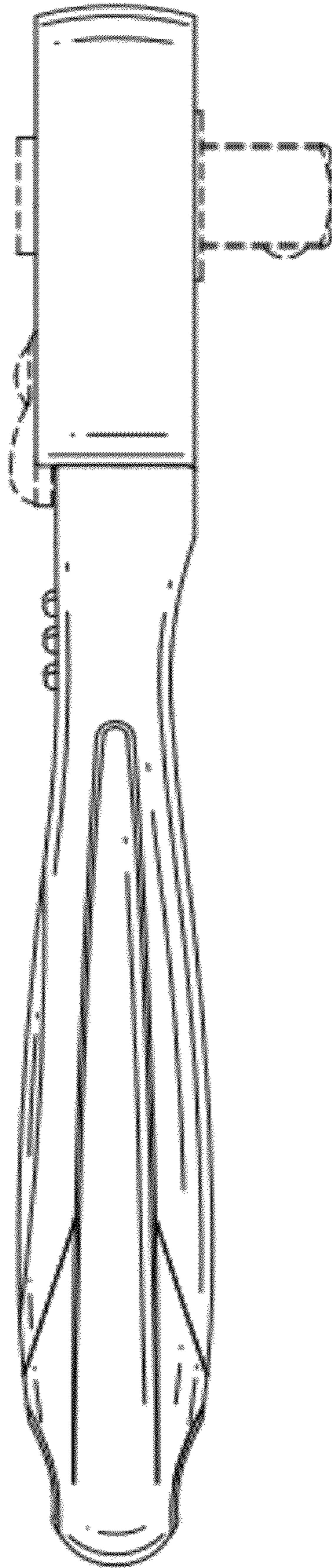


FIG. 5

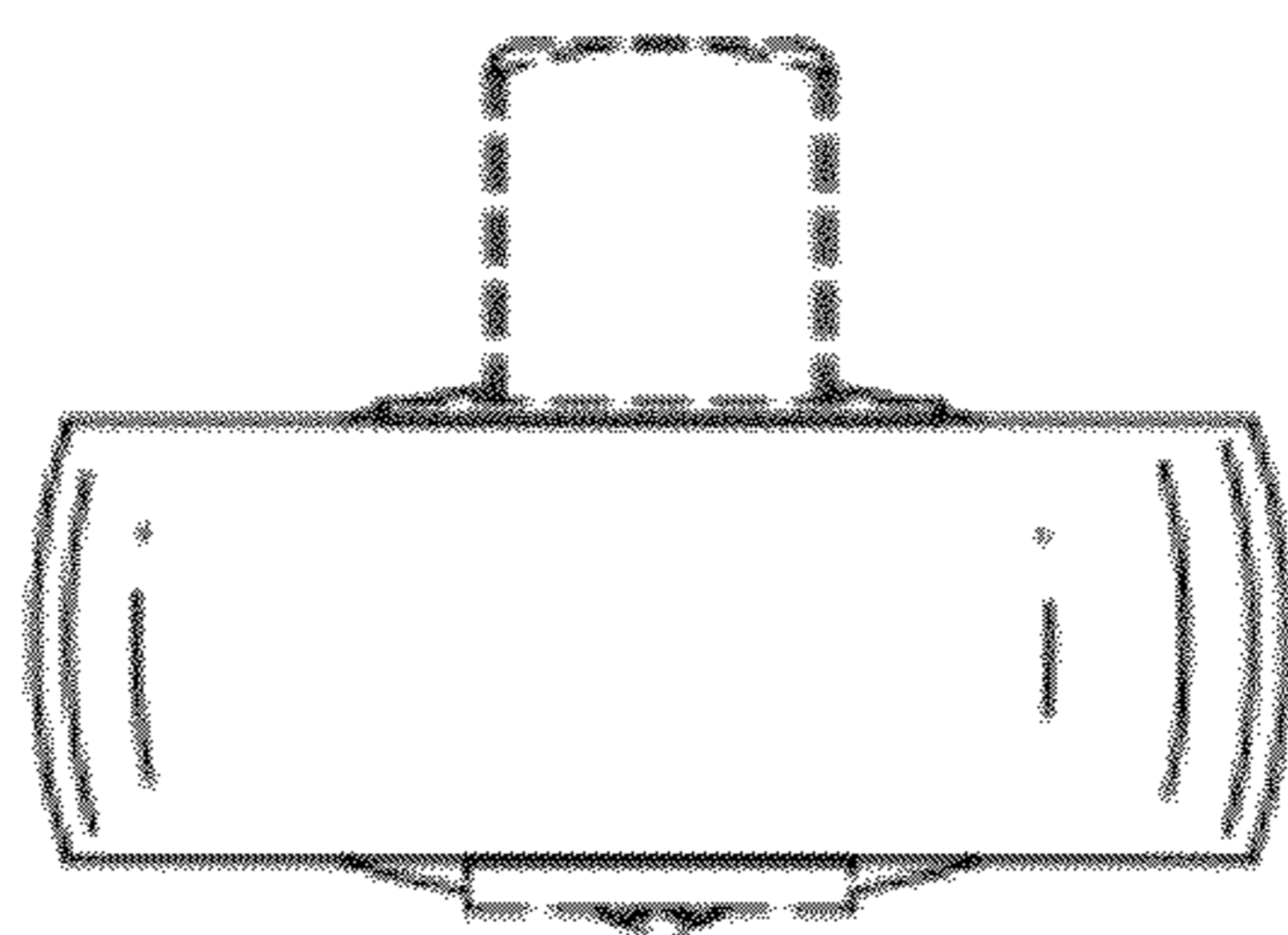


FIG. 6

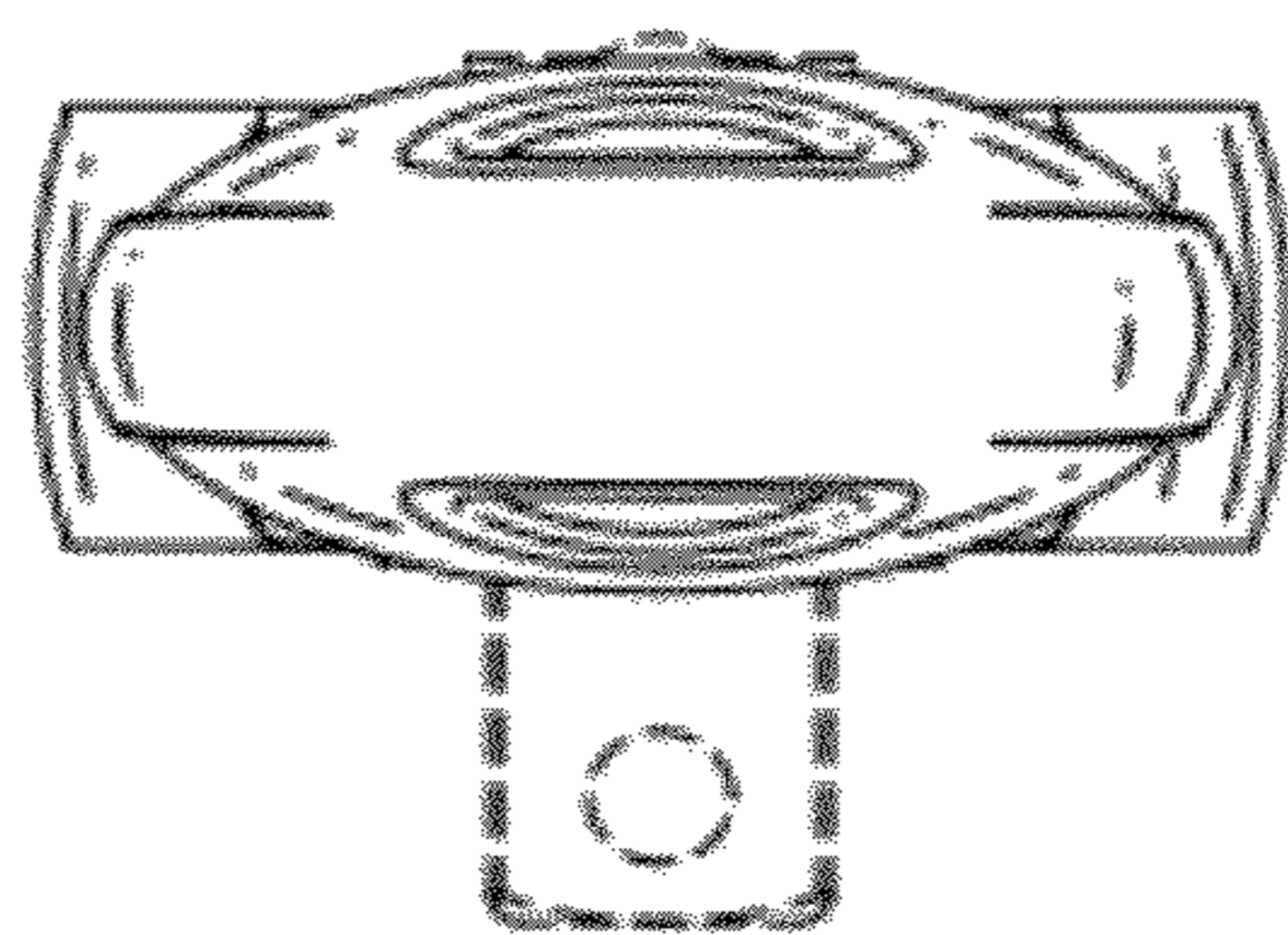


FIG. 7