



US00D663174S

(12) **United States Design Patent**  
**Dickson**

(10) **Patent No.:** **US D663,174 S**

(45) **Date of Patent:** **\*\* \*Jul. 10, 2012**

(54) **MULTI-PURPOSE SCOOP**

(75) Inventor: **Richard M. Dickson**, Kirkland, WA  
(US)

(73) Assignee: **Advanced Innovations Northwest  
LLC**, Kirkland, WA (US)

(\*) Notice: This patent is subject to a terminal disclaimer.

(\*\*) Term: **14 Years**

(21) Appl. No.: **29/383,553**

(22) Filed: **Jan. 19, 2011**

(51) **LOC (9) Cl.** ..... **08-01**

(52) **U.S. Cl.** ..... **D8/1**

(58) **Field of Classification Search** ..... D8/1, 10;  
D7/691, 318; D34/18; D30/162; 81/45;  
D10/46.2, 46.3; 294/117, 144, 154; 30/324-328  
See application file for complete search history.

(56) **References Cited**

U.S. PATENT DOCUMENTS

D200,920 S *	4/1965	Surratt	.....	D10/46.2
D209,693 S *	12/1967	Pittman	.....	D10/46.2
D227,535 S *	7/1973	Grimes	.....	D7/318
D267,536 S *	1/1983	Findlay	.....	D7/318
D274,776 S *	7/1984	Molloy et al.	.....	D7/691
D287,324 S *	12/1986	Schmidt	.....	D10/46.2
D355,570 S *	2/1995	Munnecke	.....	D8/1
D383,582 S *	9/1997	Sinclair, Jr.	.....	D34/18

D437,239 S *	2/2001	Wei	.....	D10/46.2
D503,317 S *	3/2005	Anderson	.....	D7/691
7,025,397 B2 *	4/2006	Simone	.....	81/45
D578,414 S *	10/2008	Owen	.....	D10/46.2
D613,134 S *	4/2010	McRorie et al.	.....	D7/691
D635,310 S *	3/2011	Jessmon	.....	D30/162

\* cited by examiner

*Primary Examiner* — Cynthia M Chin

*Assistant Examiner* — Sheryl Lane

(74) *Attorney, Agent, or Firm* — Dorsey & Whitney LLP

(57) **CLAIM**

The ornamental design for a multi-purpose scoop, as shown and described.

**DESCRIPTION**

FIG. 1 is a back perspective view of a multi-purpose scoop; FIG. 2 is a front perspective view of the multi-purpose scoop of FIG. 1;

FIG. 3 is a left side view of the multi-purpose scoop of FIG. 1;

FIG. 4 is a right side view of the multi-purpose scoop of FIG. 1;

FIG. 5 is a front view of the multi-purpose scoop of FIG. 1

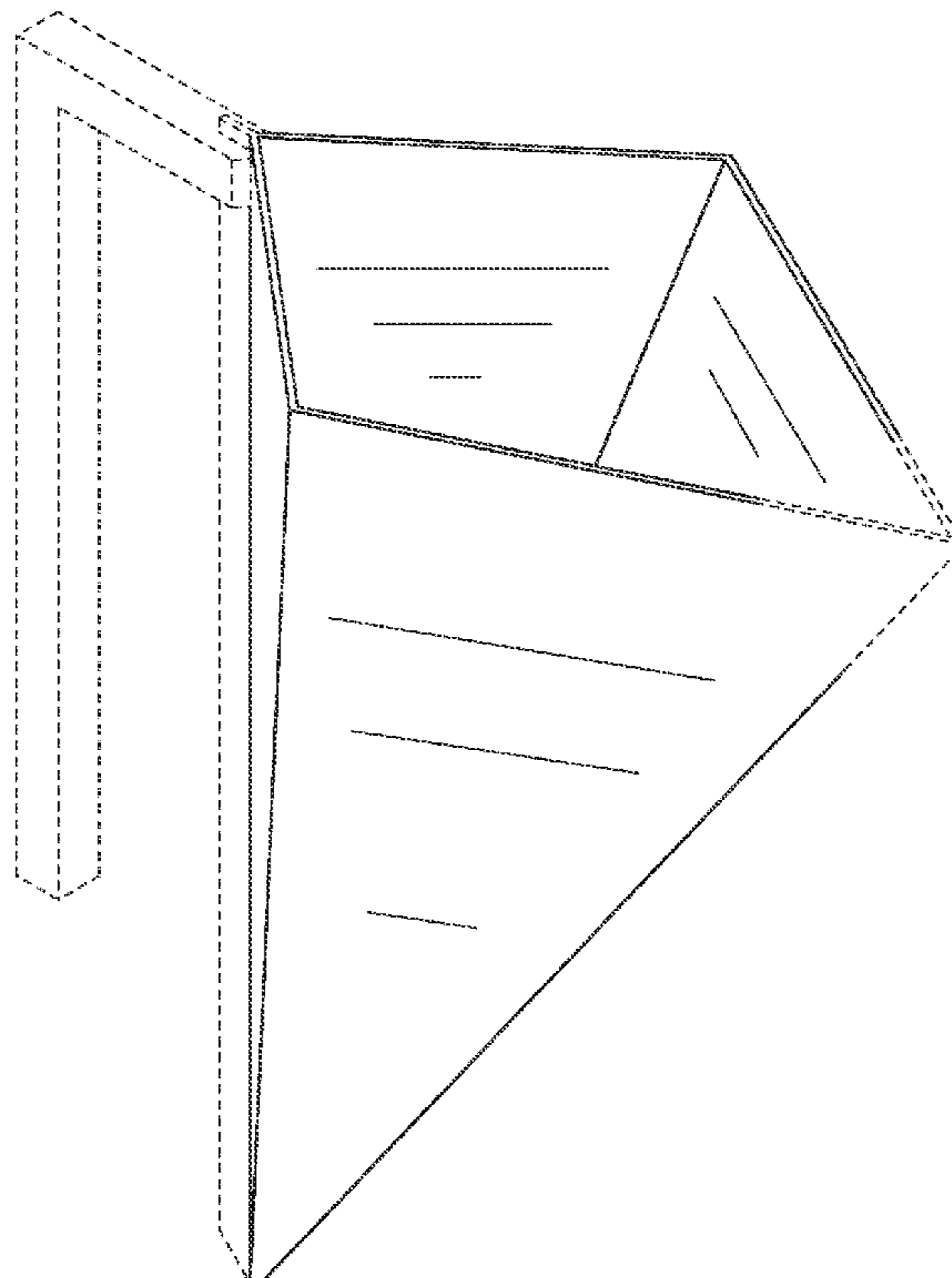
FIG. 6 is a back view of the multi-purpose scoop of FIG. 1;

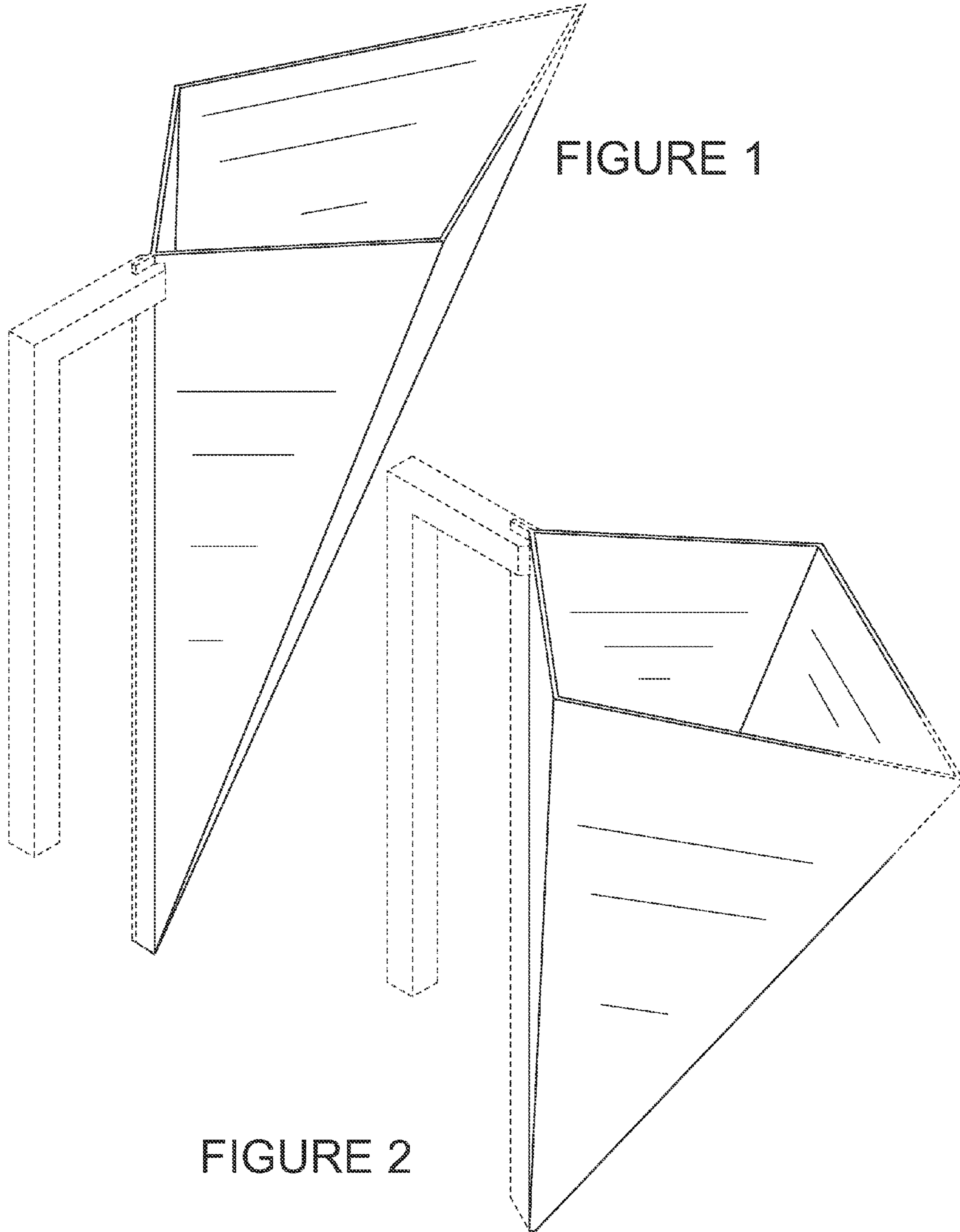
FIG. 7 is a top view of the multi-purpose scoop tool of FIG. 1; and,

FIG. 8 is a bottom view of the multi-purpose scoop of FIG. 1.

The broken line showing of the multi-purpose scoop has been included to show portions of the article that are not part of the claimed design. The shade lines have been included to illustrate the three-dimensional contours of the design and are not intended to indicate surface decoration.

**1 Claim, 5 Drawing Sheets**





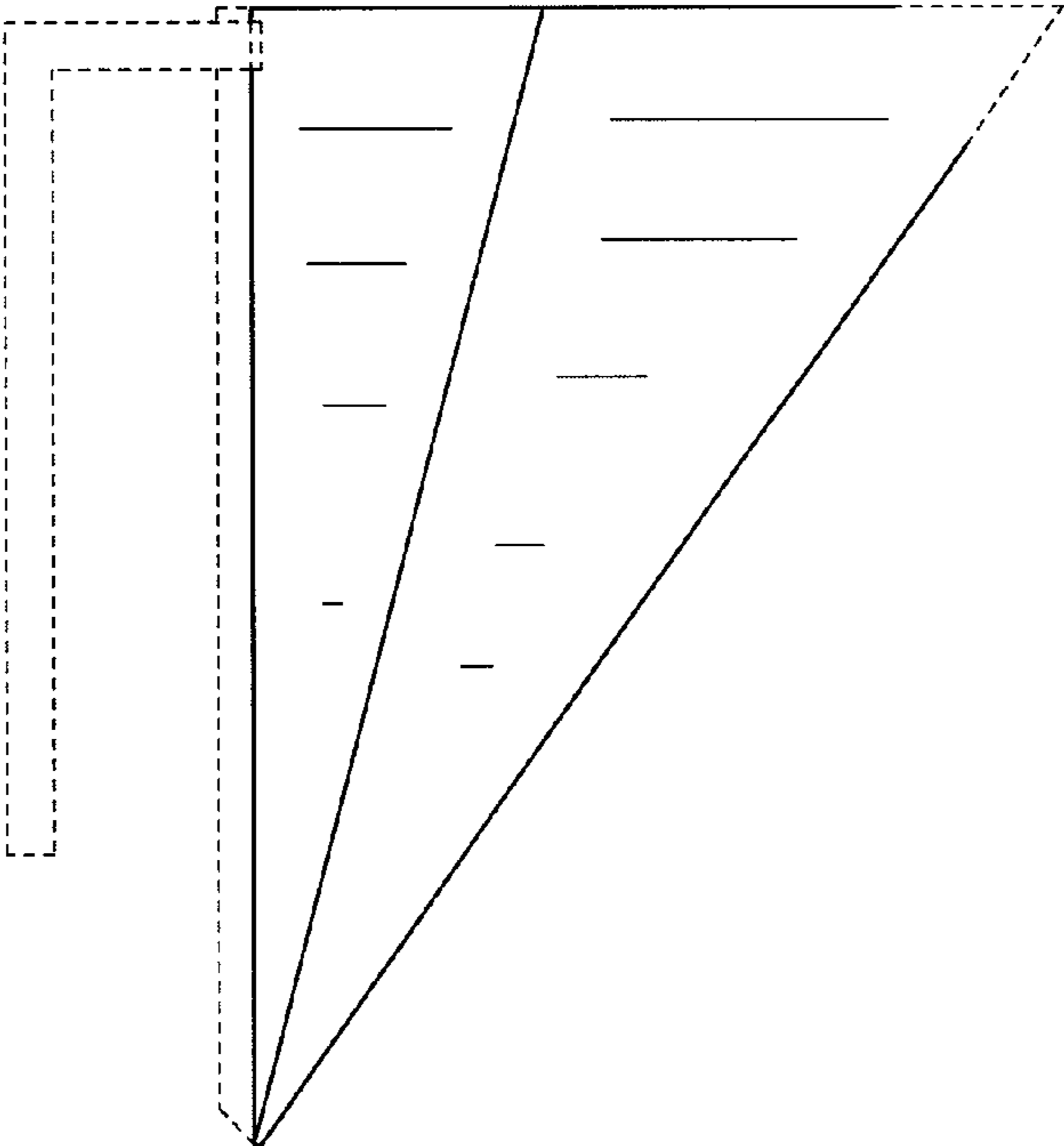


FIGURE 3

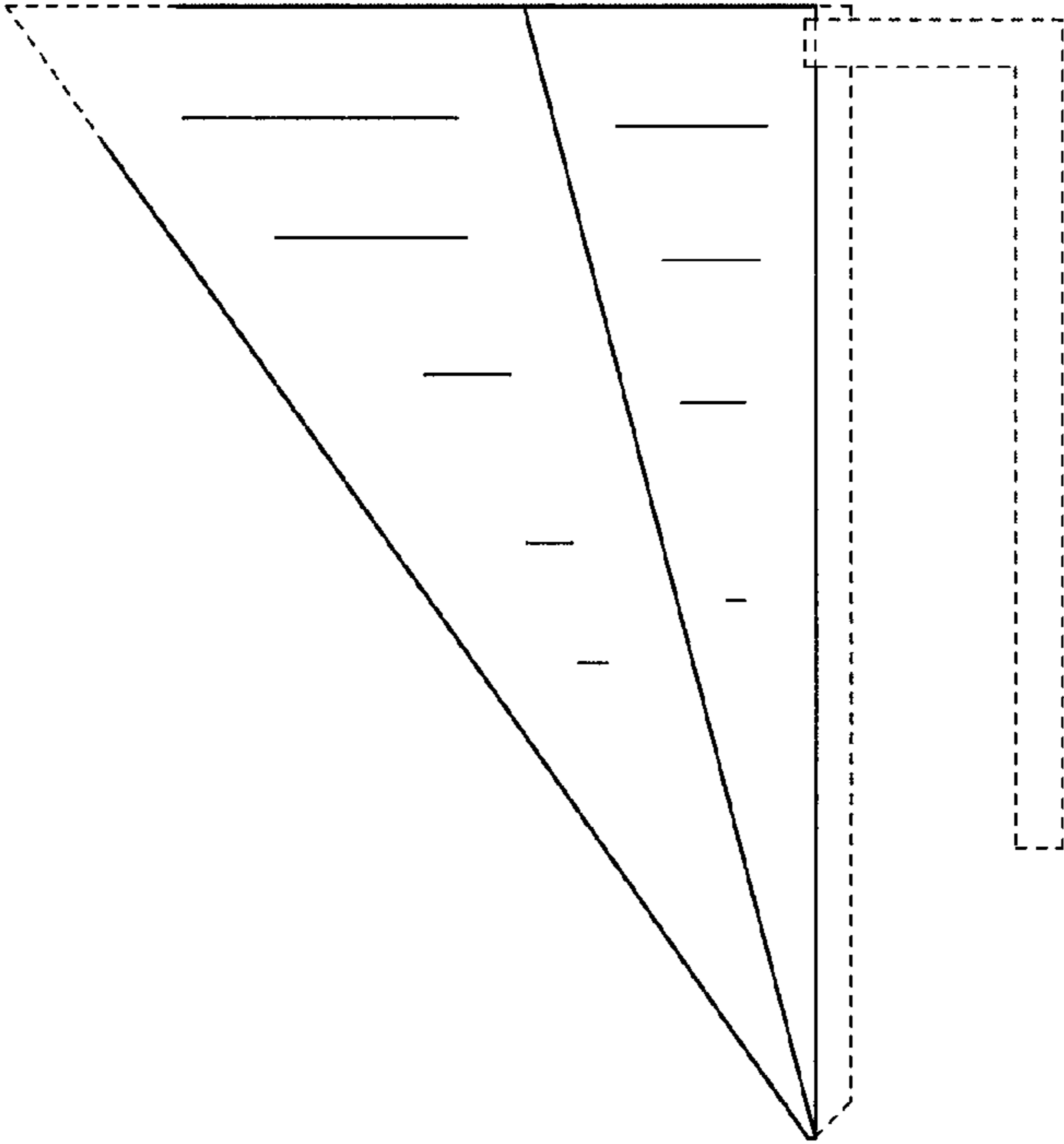


FIGURE 4

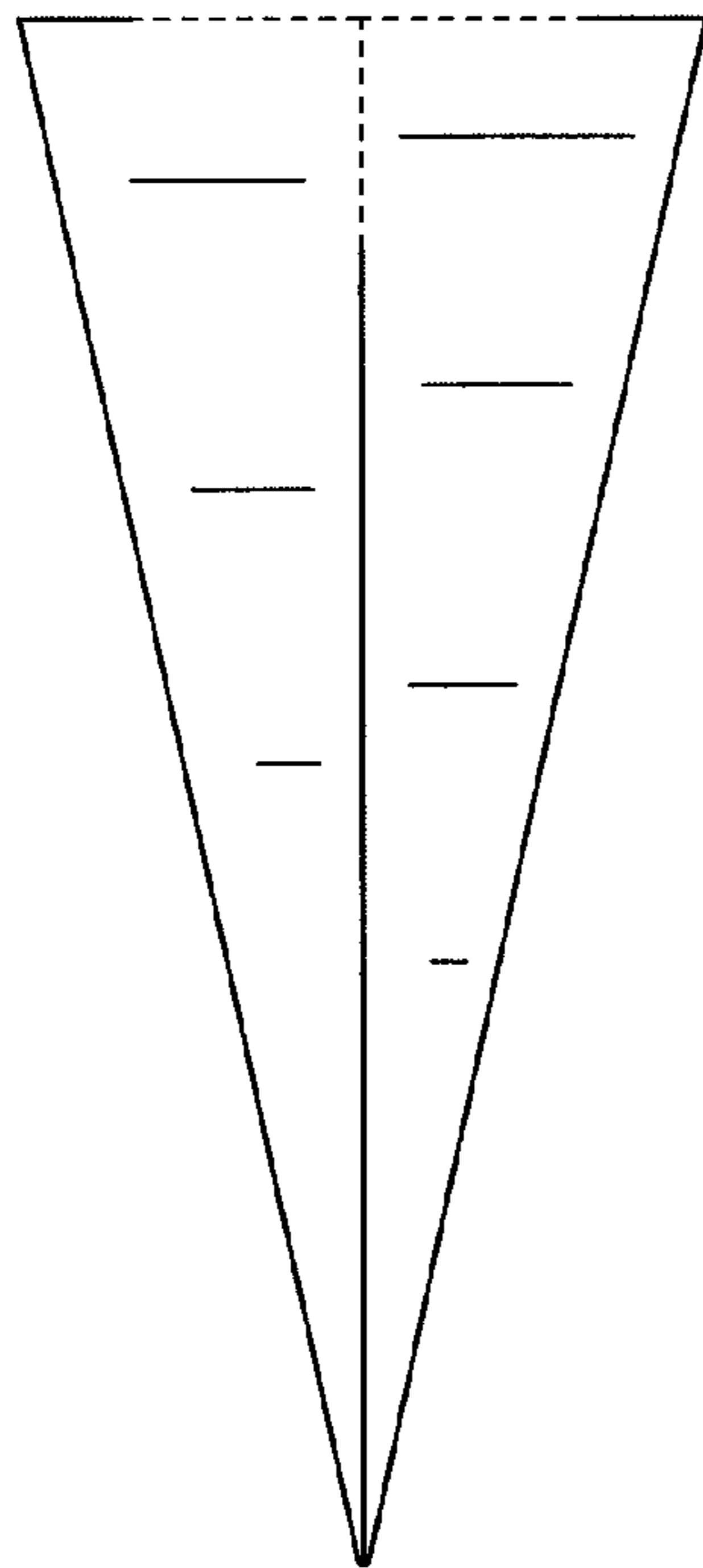


FIGURE 5

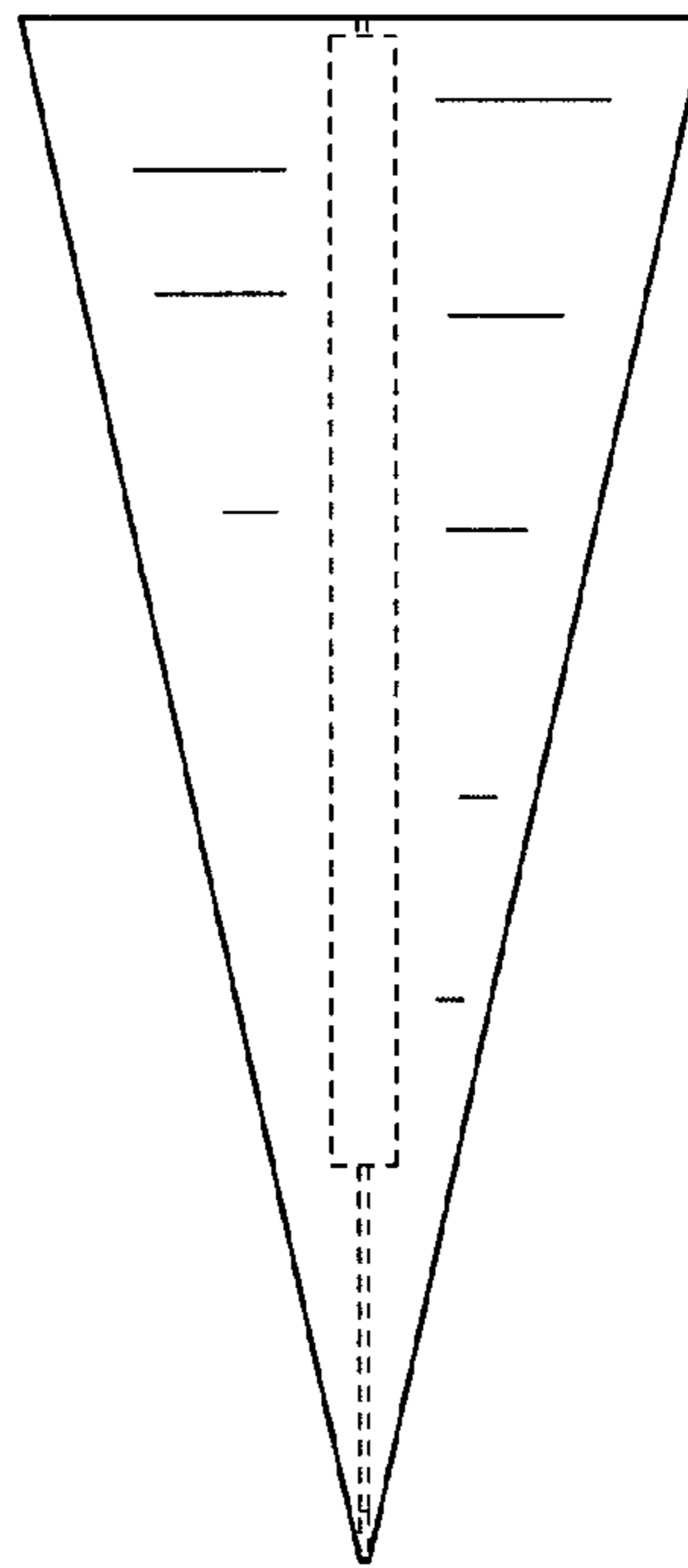


FIGURE 6

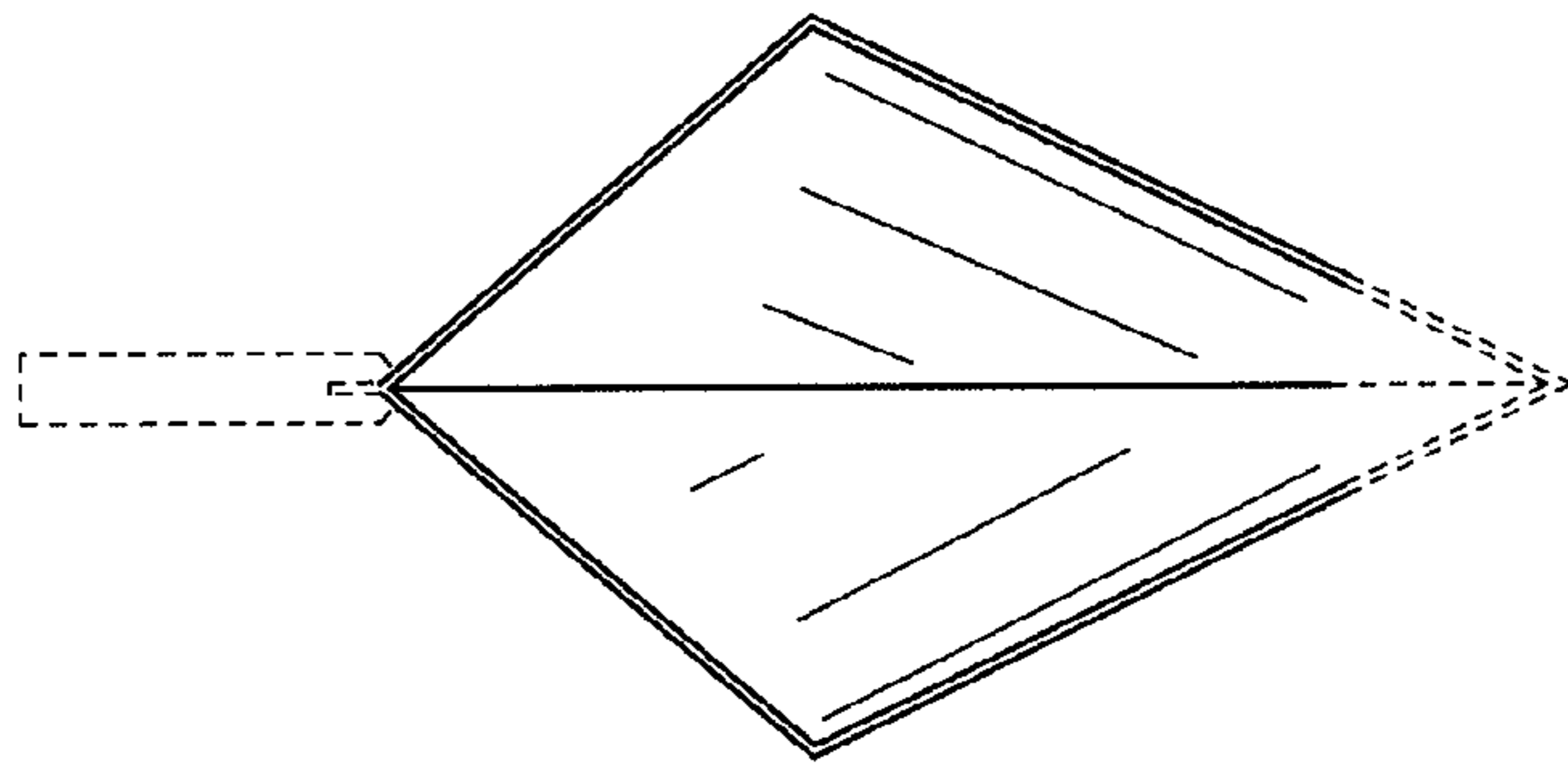


FIGURE 7

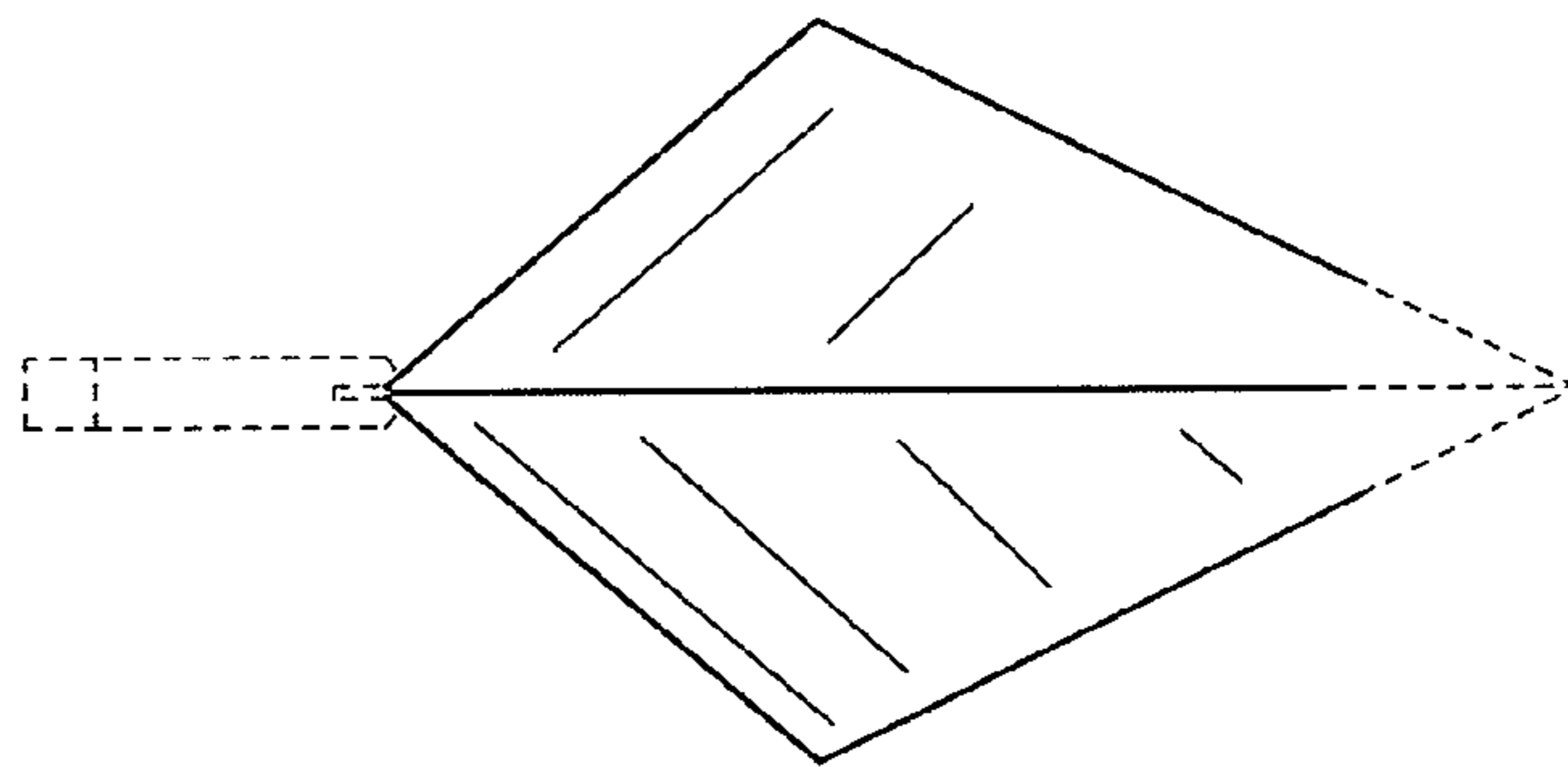


FIGURE 8