

US00D663173S

(12) **United States Design Patent**
Goodgame, Jr.

(10) **Patent No.:** **US D663,173 S**
(45) **Date of Patent:** **** Jul. 10, 2012**

(54) **CUP HOLDER**

(76) Inventor: **Fred W. Goodgame, Jr.**, Hesperia, CA
(US)

(**) Term: **14 Years**

(21) Appl. No.: **29/399,612**

(22) Filed: **Aug. 16, 2011**

(51) **LOC (9) Cl.** **07-01**

(52) **U.S. Cl.** **D7/701**

(58) **Field of Classification Search** D7/701-708,
D7/691.1-925; D6/417, 403, 405, 556-558;
47/42-47, 67, 68, 71; 211/74; 248/146,
248/151, 153, 156, 314, 311.2, 231.9, 291.1,
248/508, 530, 545

See application file for complete search history.

(56) **References Cited**

U.S. PATENT DOCUMENTS

2,520,818	A	8/1950	Terry	
D163,617	S	12/1950	Lilja	
D286,591	S	11/1986	Russell	
D304,269	S	10/1989	Sandgren	
5,046,699	A *	9/1991	Perreault et al.	248/156
D328,521	S	8/1992	Sletvold	
5,570,863	A	11/1996	Cooper	
5,823,496	A *	10/1998	Foley et al.	248/156
D446,663	S *	8/2001	Thomas	D6/404
6,443,172	B2 *	9/2002	Brumfield	248/533
6,575,417	B1 *	6/2003	Krommenakker	248/311.2

6,675,819	B2 *	1/2004	Arrowood et al.	248/156
D490,659	S	6/2004	Gies	
D527,231	S *	8/2006	Perotti et al.	D7/707
D557,929	S	12/2007	Loggins et al.	
D566,480	S *	4/2008	Lawler	D7/620
D574,670	S	8/2008	Grady	
D588,873	S *	3/2009	Schiettecatte et al.	D7/620
D605,901	S	12/2009	Price	
7,641,157	B2 *	1/2010	Kirkendall	248/156

* cited by examiner

Primary Examiner — Terry Wallace

(74) *Attorney, Agent, or Firm* — QuickPatents, Inc.; Kevin Prince

(57) **CLAIM**

I claim the ornamental design for a cup holder, as shown and described.

DESCRIPTION

FIG. 1 is a perspective view of a cup holder, showing my new design;

FIG. 2 is a front elevational view thereof;

FIG. 3 is a rear elevational view thereof;

FIG. 4 is a right-side elevational view thereof;

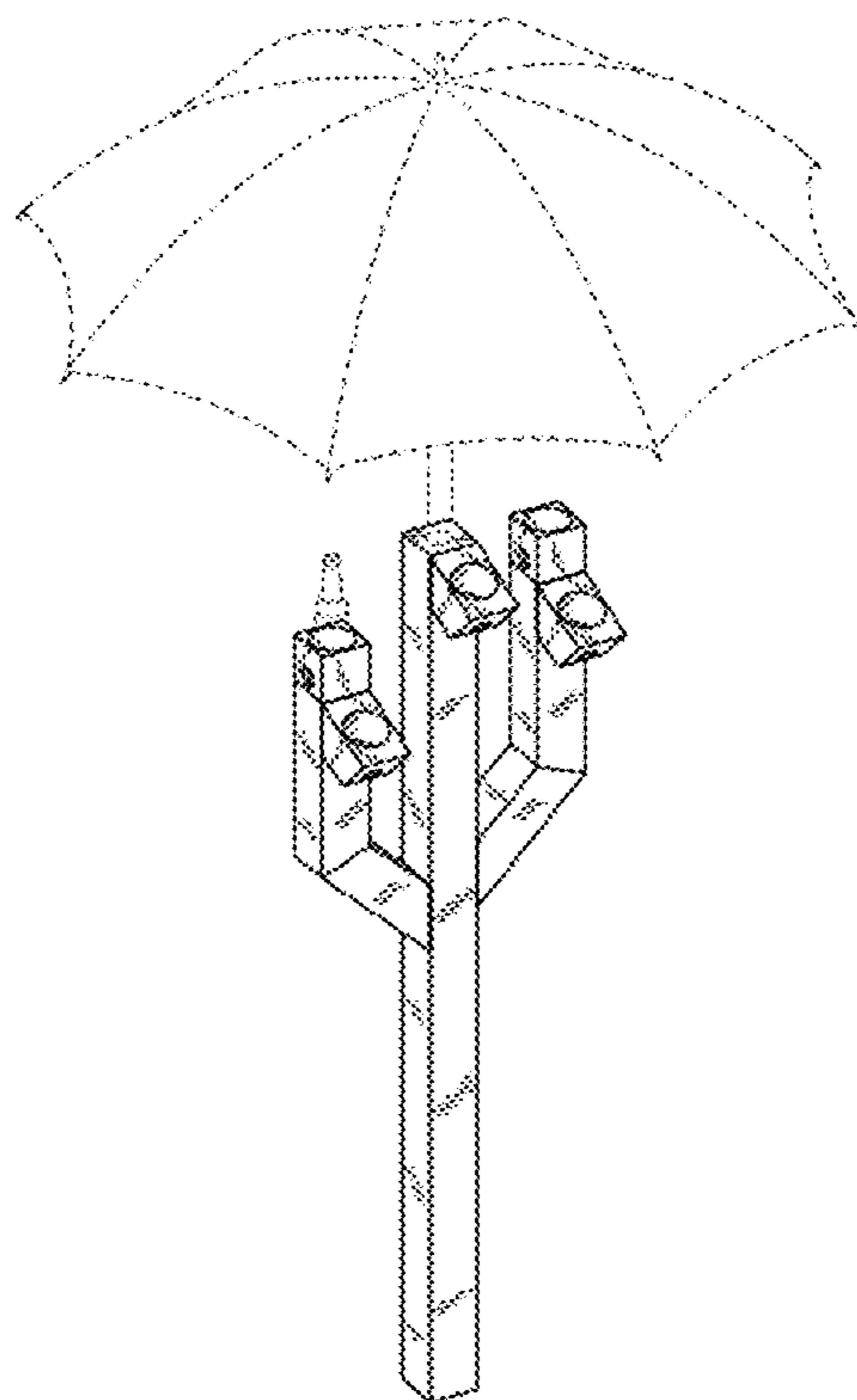
FIG. 5 is a left-side elevational view thereof;

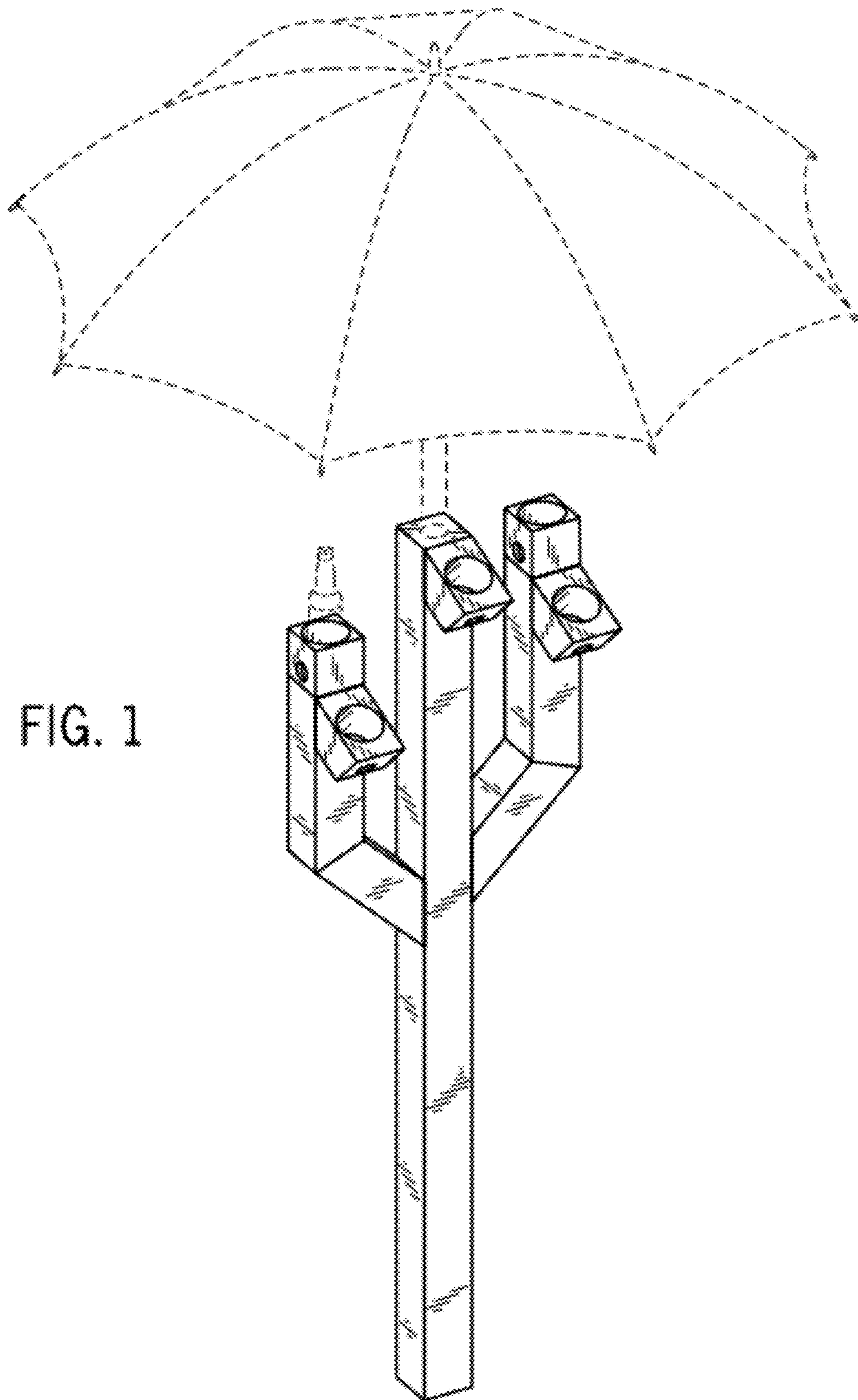
FIG. 6 is a top plan view thereof; and,

FIG. 7 is a bottom plan view thereof.

The broken lines showing a beverage container and an umbrella in FIG. 1 depict environmental matter and form no part of the claimed design.

1 Claim, 3 Drawing Sheets





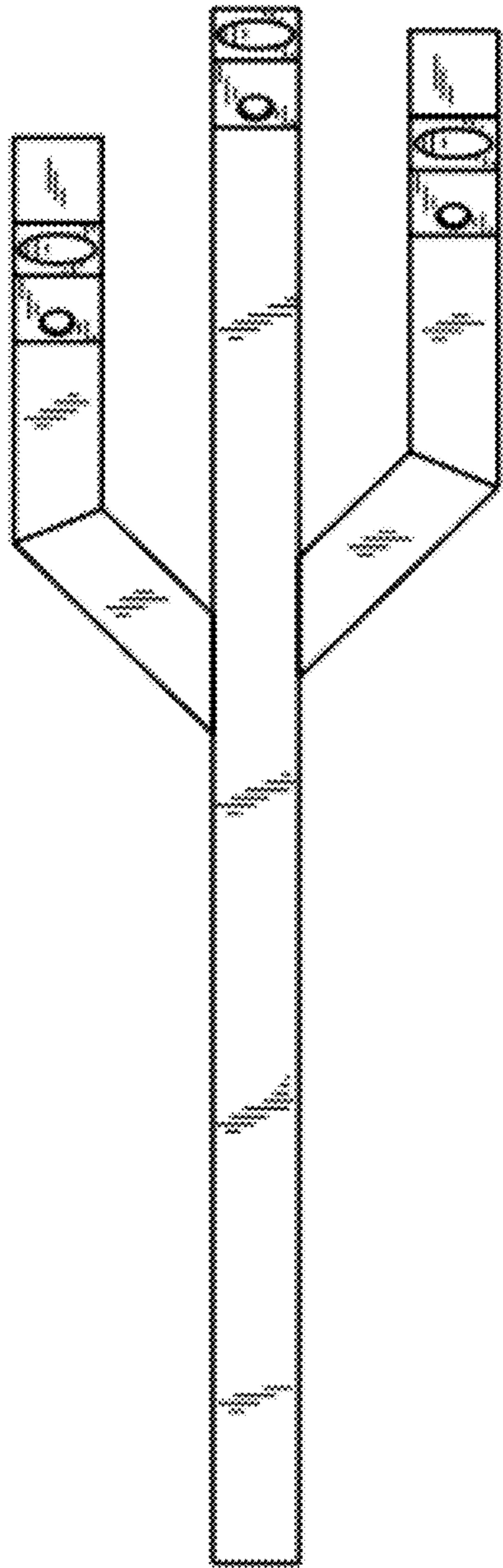


FIG. 2

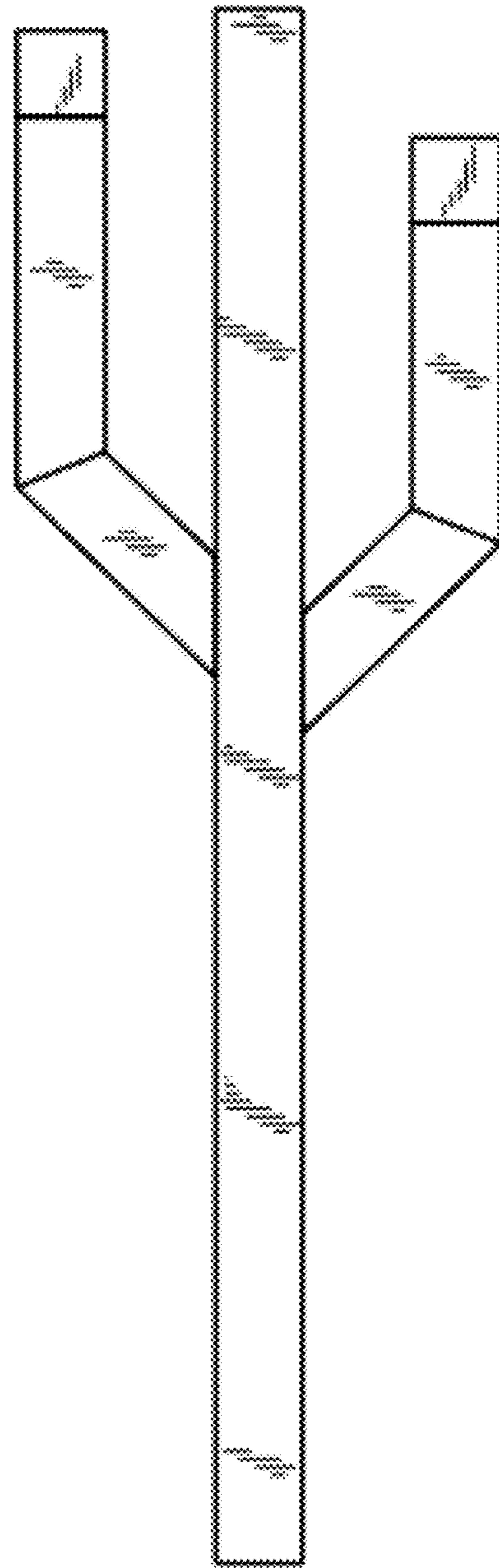


FIG. 3

FIG. 4

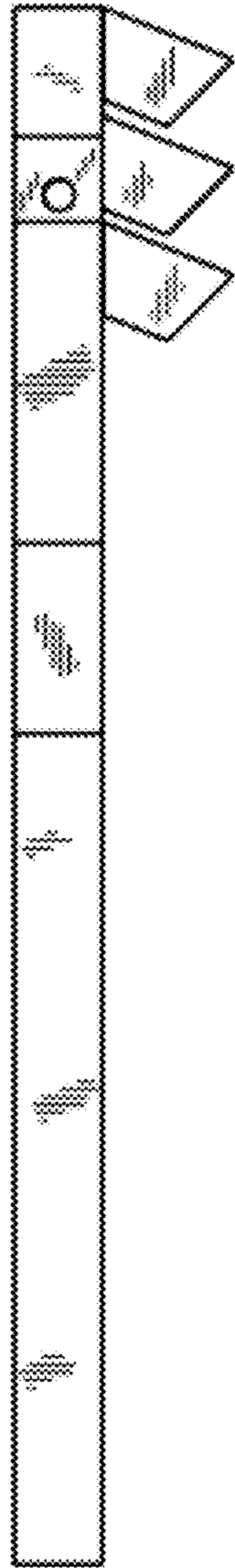


FIG. 5

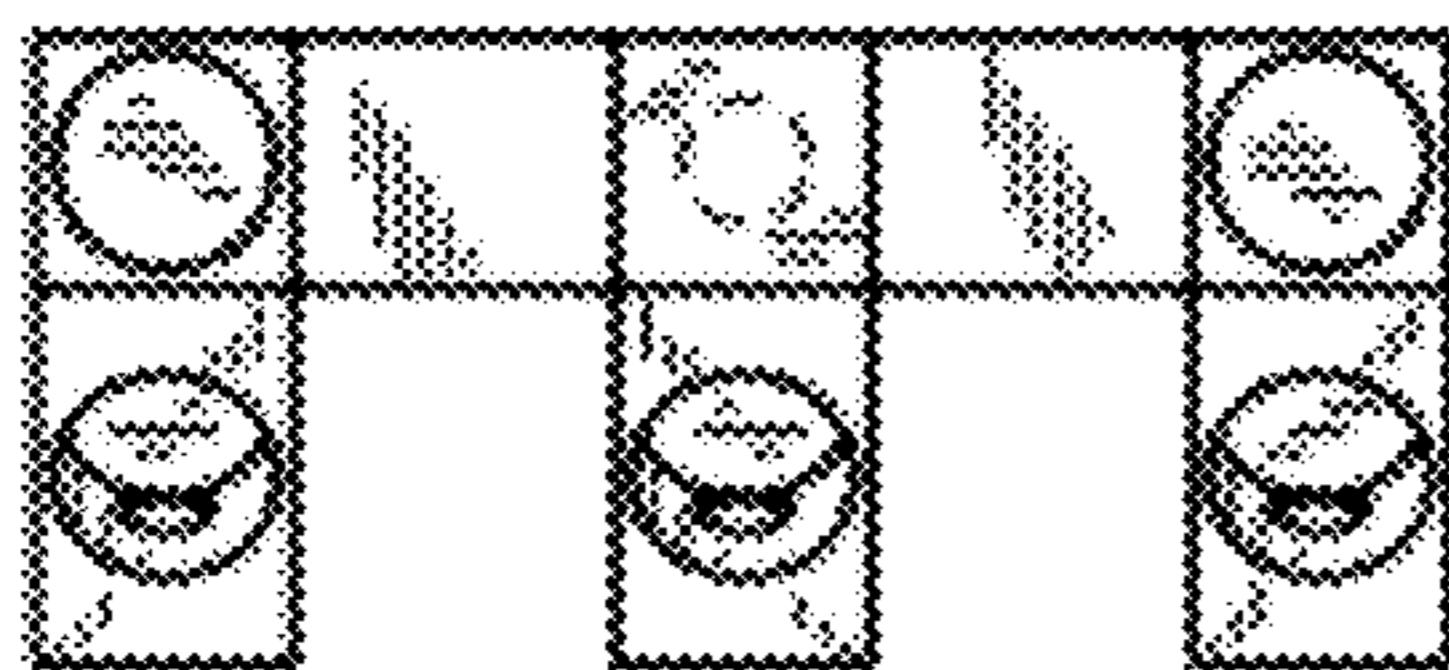
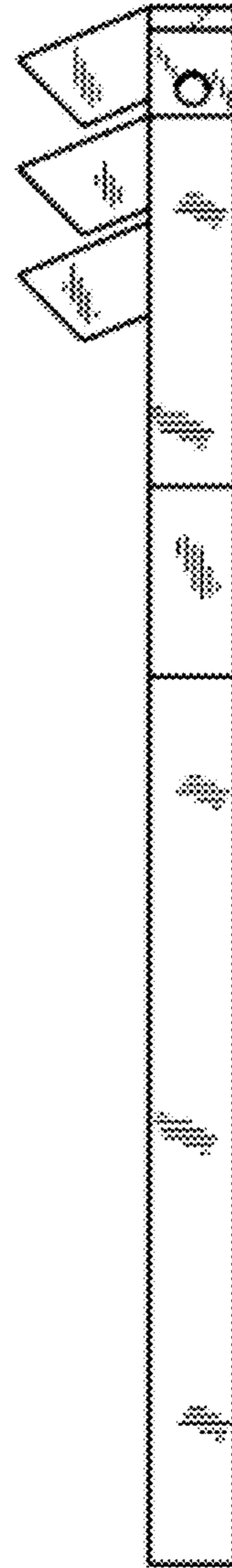


FIG. 6

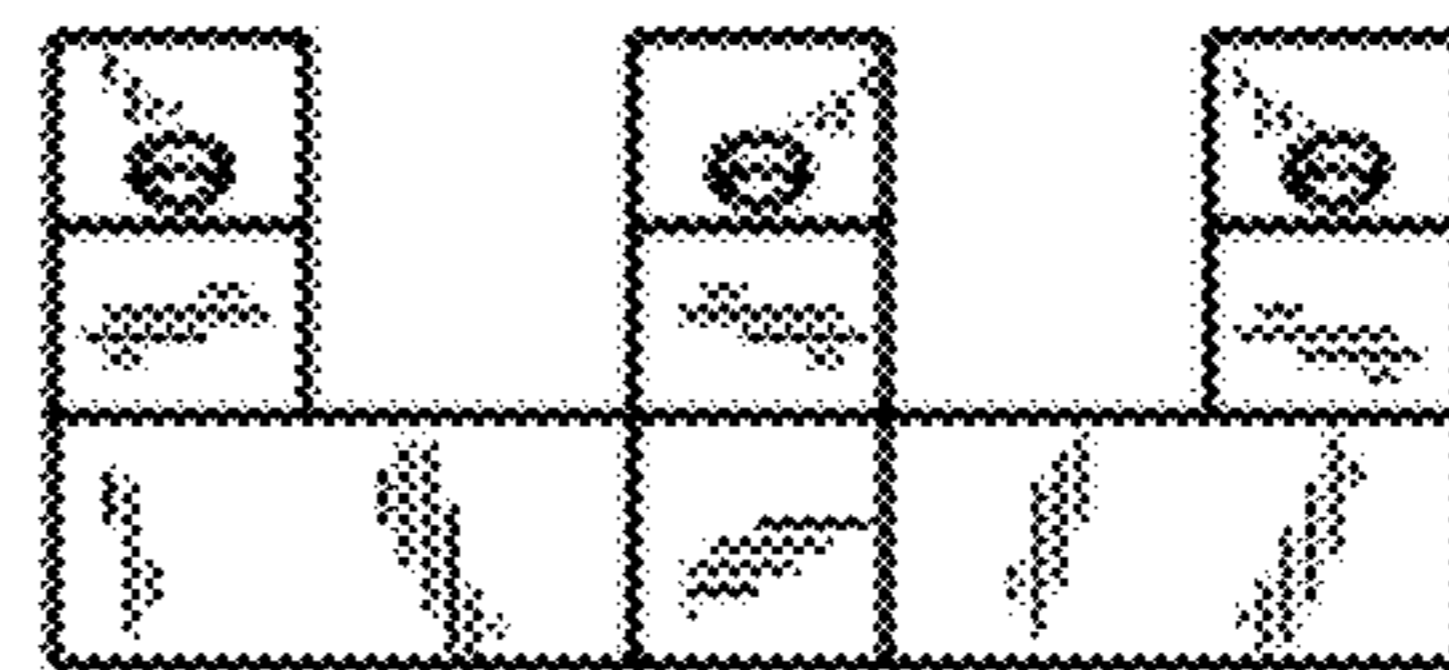


FIG. 7