



US00D663172S

(12) **United States Design Patent**
Huynh

(10) **Patent No.:** **US D663,172 S**

(45) **Date of Patent:** **** Jul. 10, 2012**

(54) **BEVERAGE SAVER/POURER**

(76) Inventor: **Chi Huynh**, San Dimas, CA (US)

(**) Term: **14 Years**

(21) Appl. No.: **29/403,372**

(22) Filed: **Oct. 5, 2011**

(51) **LOC (9) Cl.** **07-99**

(52) **U.S. Cl.** **D7/700; D7/667; D7/400; D7/397; D9/440**

(58) **Field of Classification Search** D7/667, D7/400, 692, 398, 397, 387, 700, 369; D9/440, D9/447, 439; 222/484, 113; D15/150; D23/200
See application file for complete search history.

(56) **References Cited**

U.S. PATENT DOCUMENTS

718,801	A	1/1903	Strauss	
788,118	A	4/1905	Perotti	
2,113,048	A	5/1936	Gross	
2,300,053	A	10/1942	Lubuic	
D182,235	S *	3/1958	Jaffe	D9/454
2,828,054	A	3/1958	Chiaramonte	
2,991,897	A	7/1961	Burnett	
3,129,020	A *	4/1964	Bujnowski	285/110
3,152,712	A	10/1964	Riess	
4,473,174	A	9/1984	Heuser	
4,706,847	A	11/1987	Sankey et al.	
5,249,714	A	10/1993	Merhar	
D366,632	S *	1/1996	Gaumer	D11/164
5,641,098	A	6/1997	Roedhus et al.	
5,961,008	A	10/1999	Peckels	
D418,417	S *	1/2000	Hollinger	D9/440
D421,908	S *	3/2000	Abrams	D9/440
6,123,225	A	9/2000	Peckels	
6,230,944	B1 *	5/2001	Castellano et al.	222/481.5

D447,602	S *	9/2001	Dumler et al.	D28/76
6,568,660	B1 *	5/2003	Flanbaum	261/76
6,742,678	B1	6/2004	Krystopik	
D520,359	S *	5/2006	Sach	D9/439
D533,776	S *	12/2006	Allen et al.	D9/440
D576,848	S *	9/2008	Williams	D7/700
D591,594	S *	5/2009	Jalet	D9/440
D624,358	S *	9/2010	Maufette et al.	D7/398
D633,753	S *	3/2011	White	D7/398
D652,251	S *	1/2012	Goralski et al.	D7/397
2011/0036873	A1	2/2011	Peckels	

FOREIGN PATENT DOCUMENTS

GB 190403519 0/1904

* cited by examiner

Primary Examiner — Marianne Pandozzi

(74) *Attorney, Agent, or Firm* — Tutunjian & Bitetto, P.C.

(57) **CLAIM**

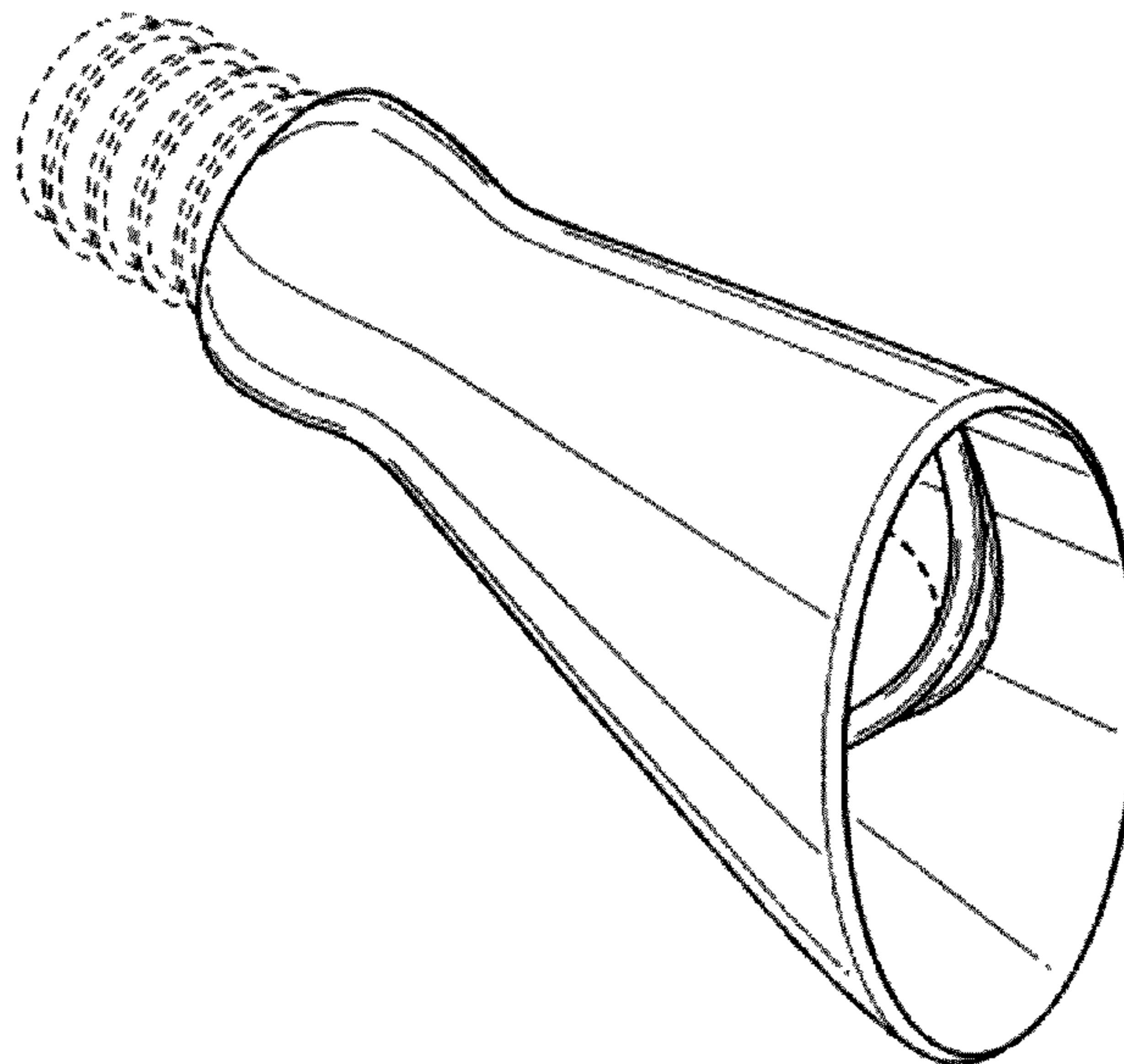
The ornamental design for a beverage saver/pourer, as shown and described.

DESCRIPTION

FIG. 1 is a top view of the beverage saver/pourer showing my new design;
FIG. 2 is a bottom view thereof;
FIG. 3 is a right side view thereof;
FIG. 4 is left side view thereof;
FIG. 5 is a front view thereof;
FIG. 6 is a rear view thereof;
FIG. 7 is a perspective view thereof; and,
FIG. 8 is a cross-sectional view taken along lines 8-8 of FIG. 1.

The dotted lines are shown for exemplary purposes and to not constitute part of the claimed design.

1 Claim, 4 Drawing Sheets



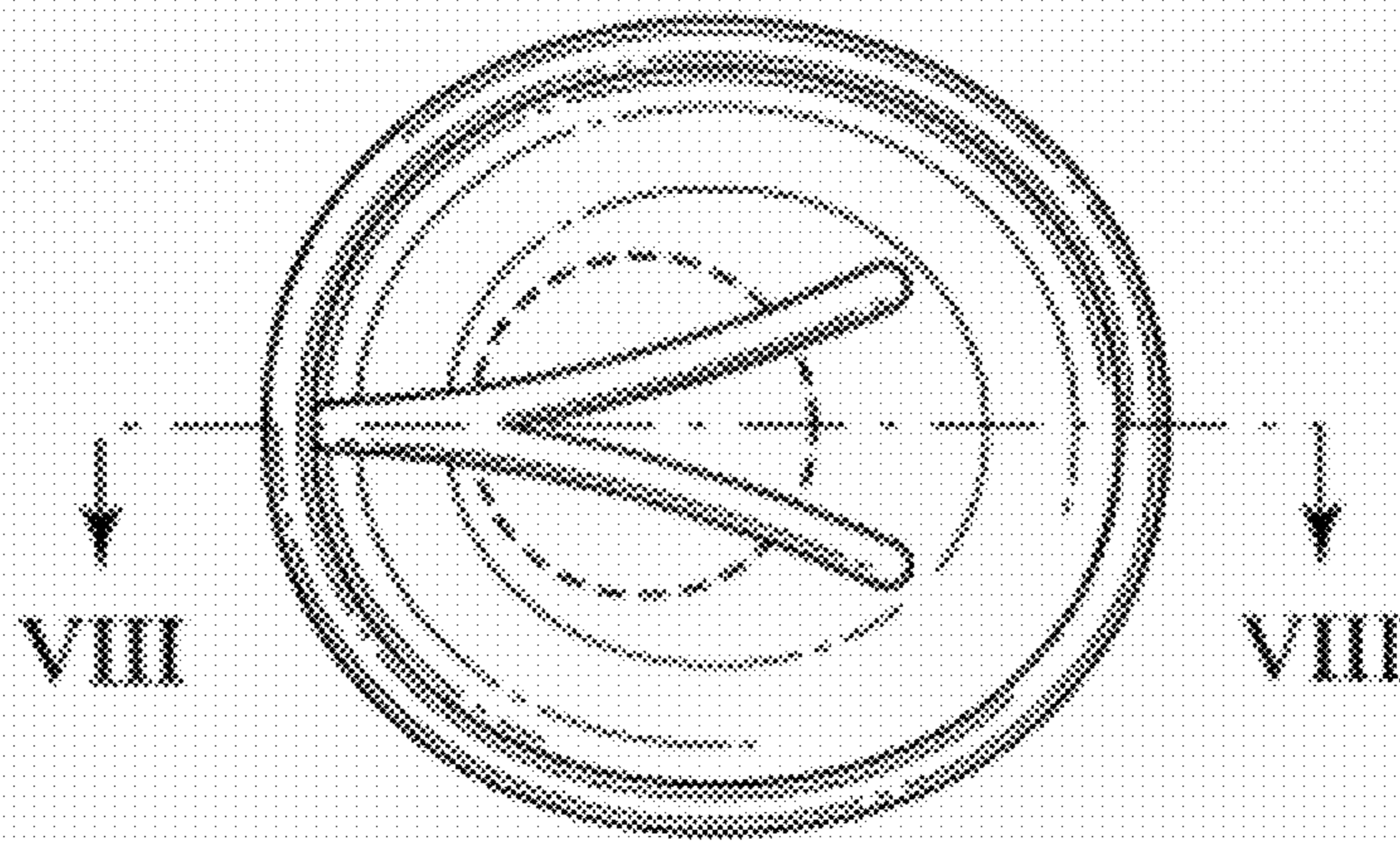


FIG. 1

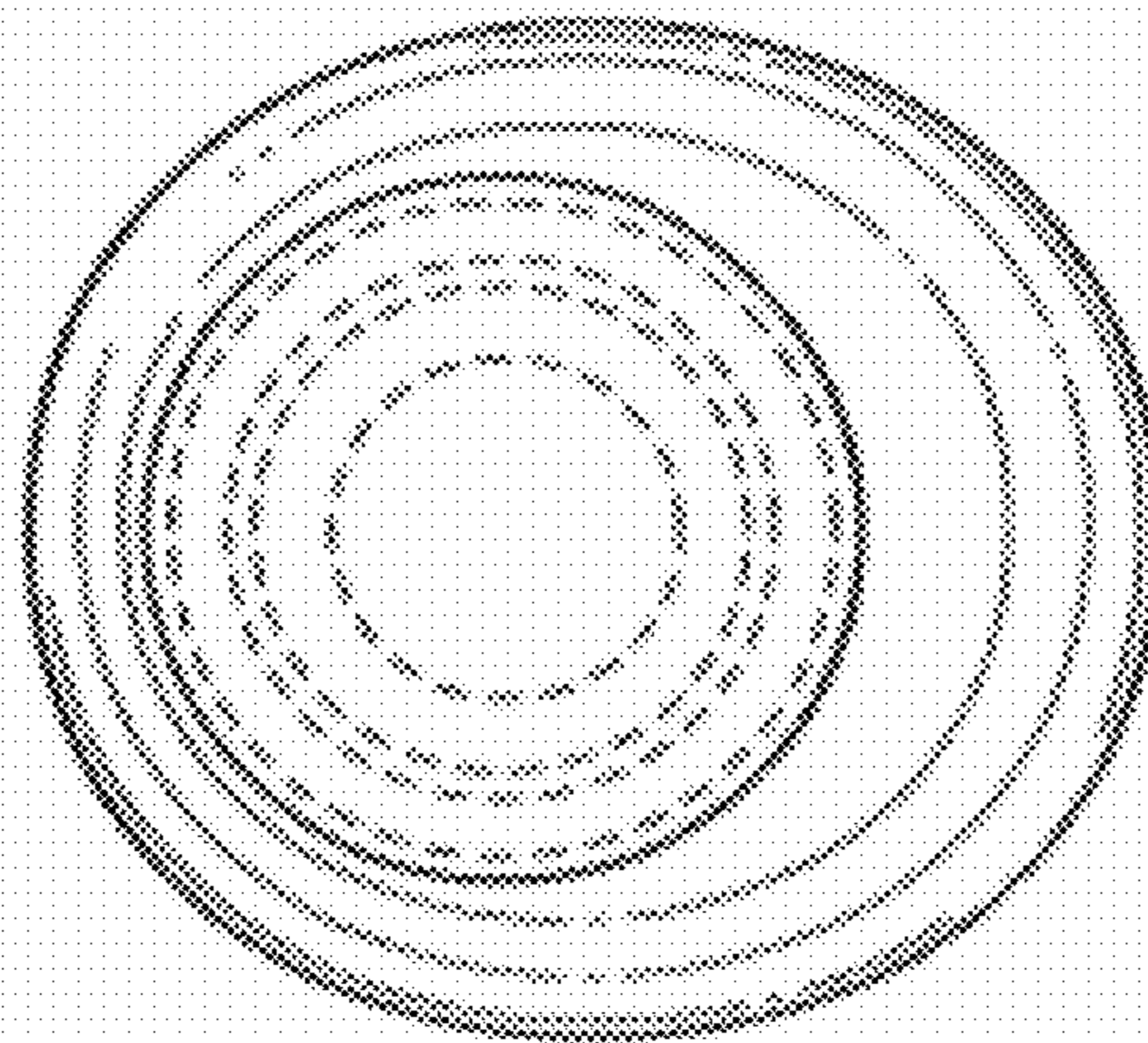


FIG. 2

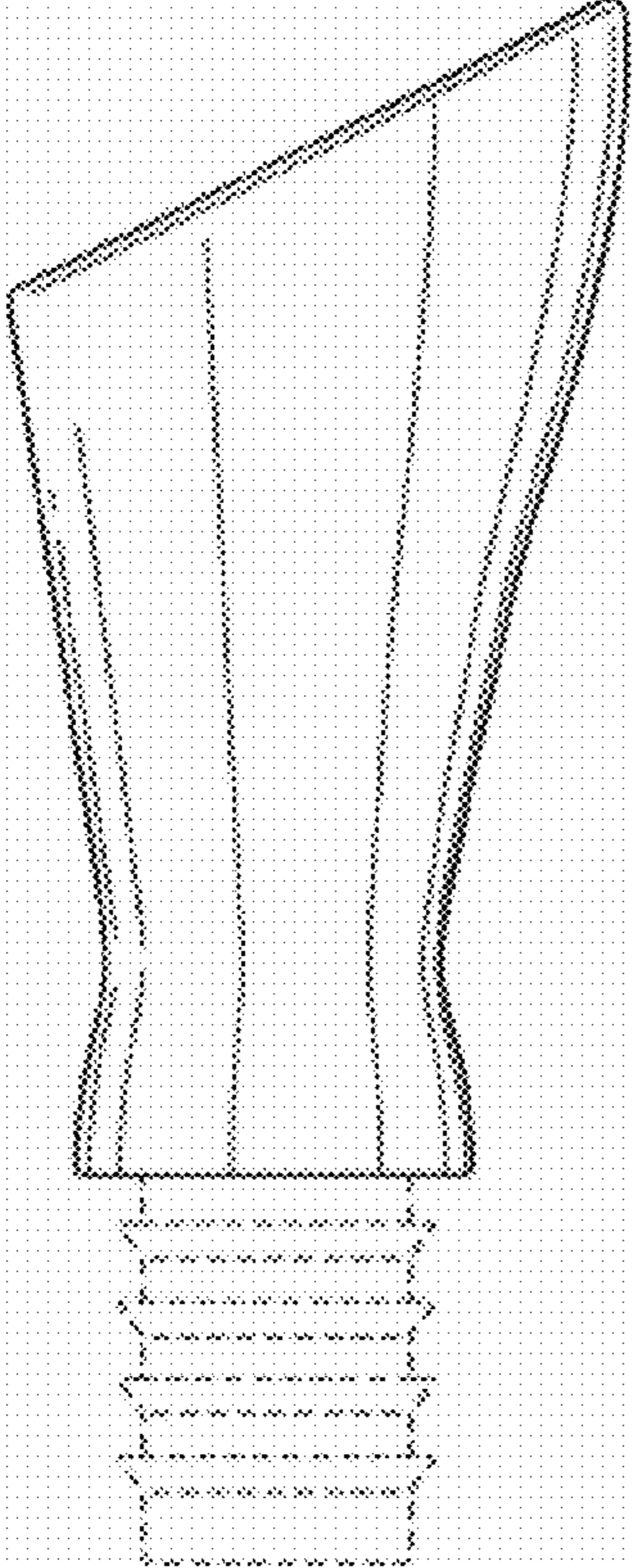


FIG. 3

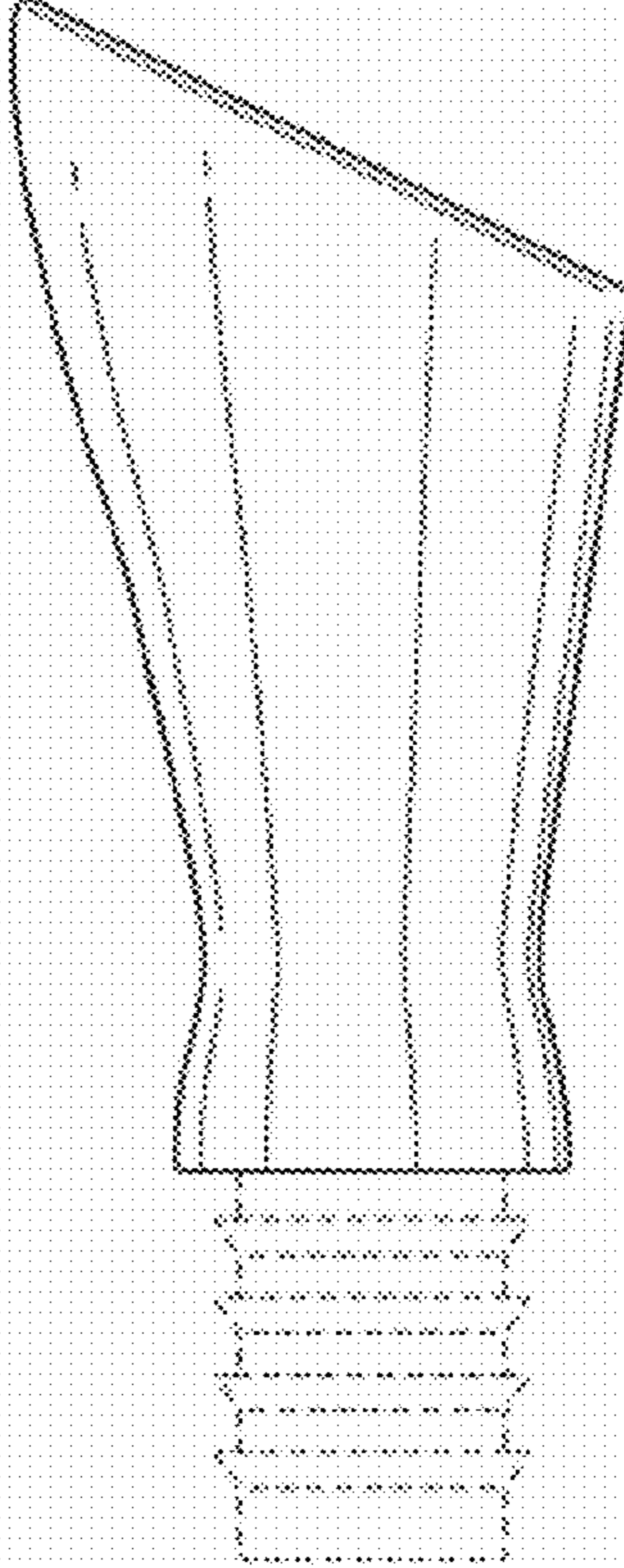


FIG. 4

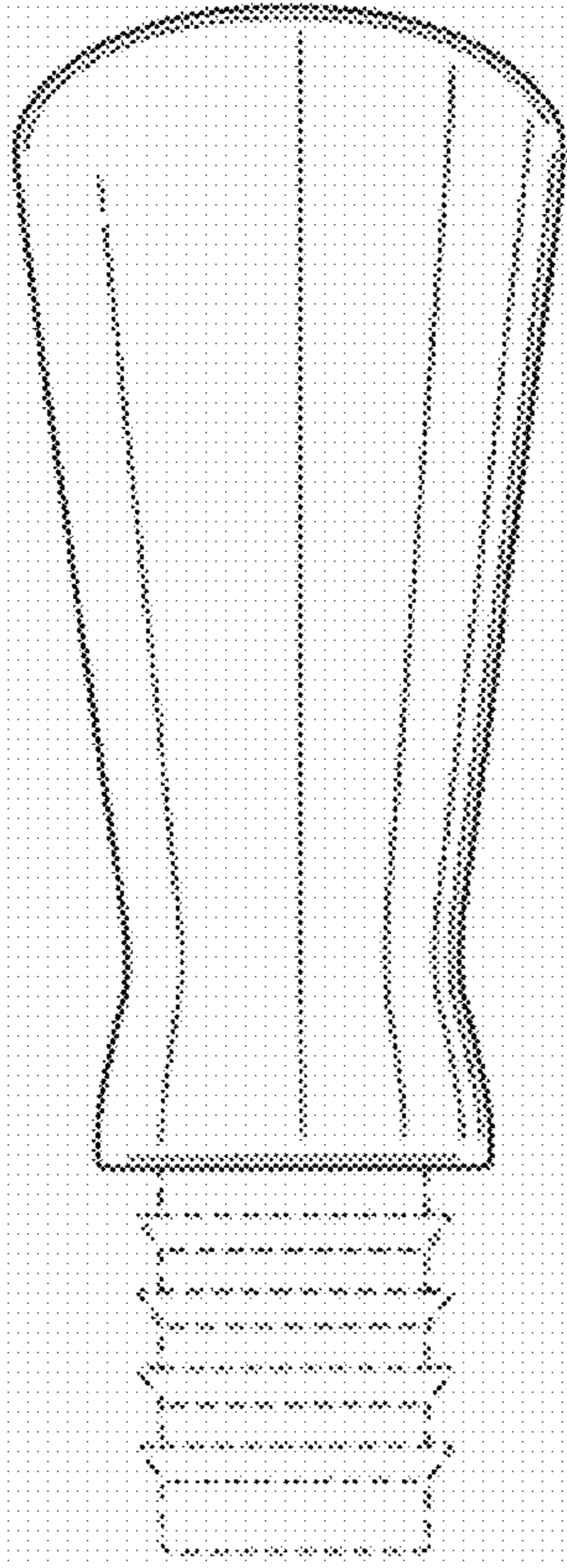


FIG. 5

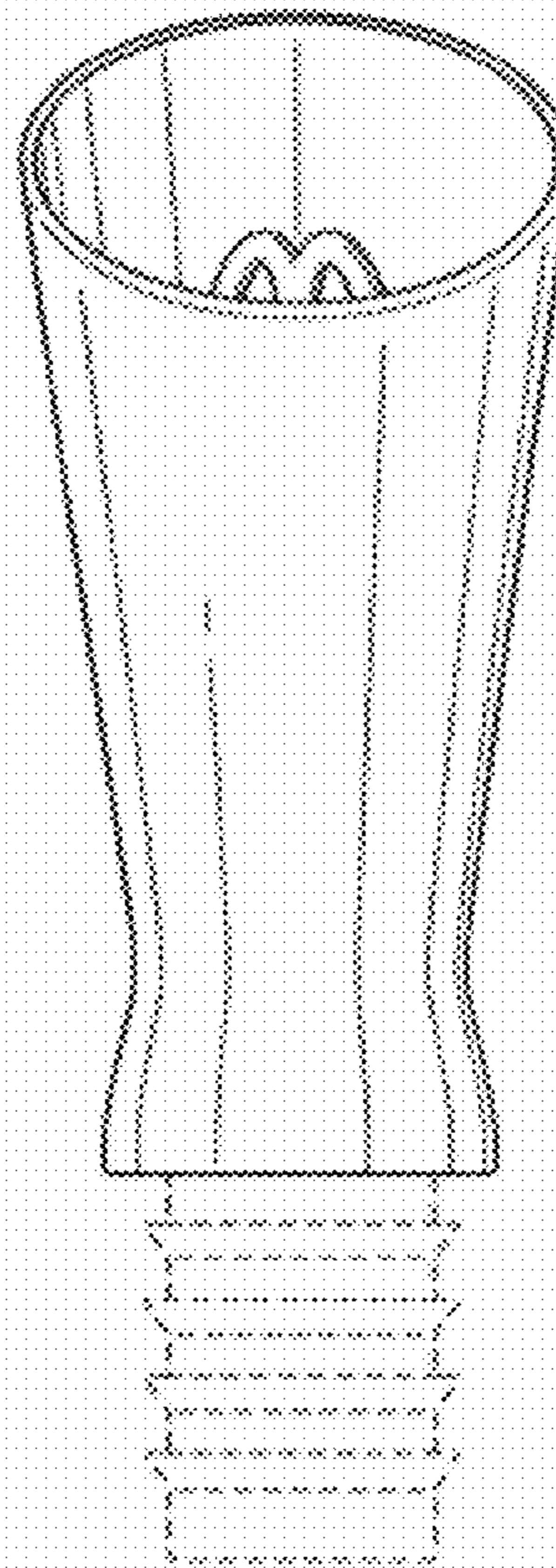


FIG. 6

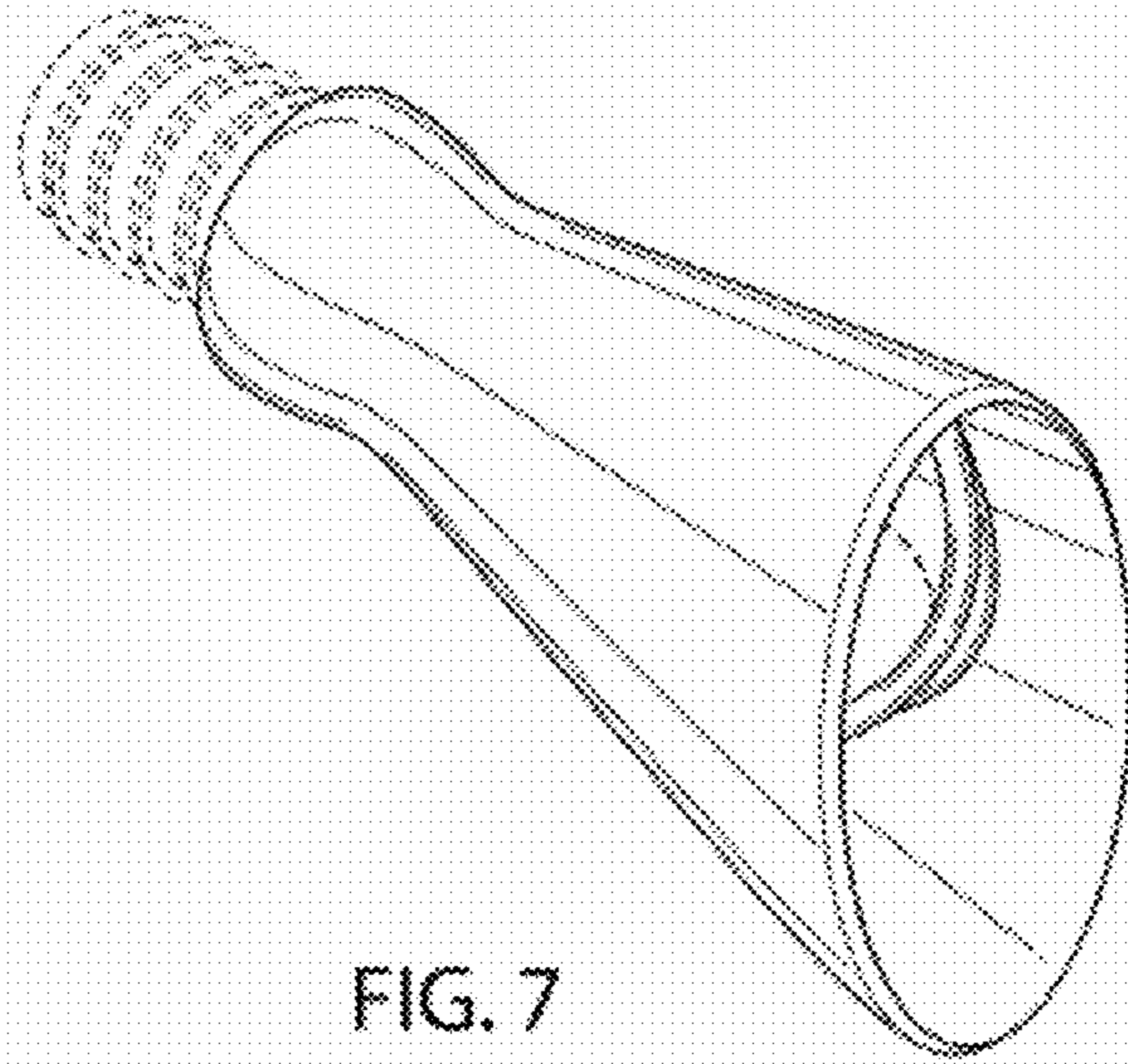


FIG. 7

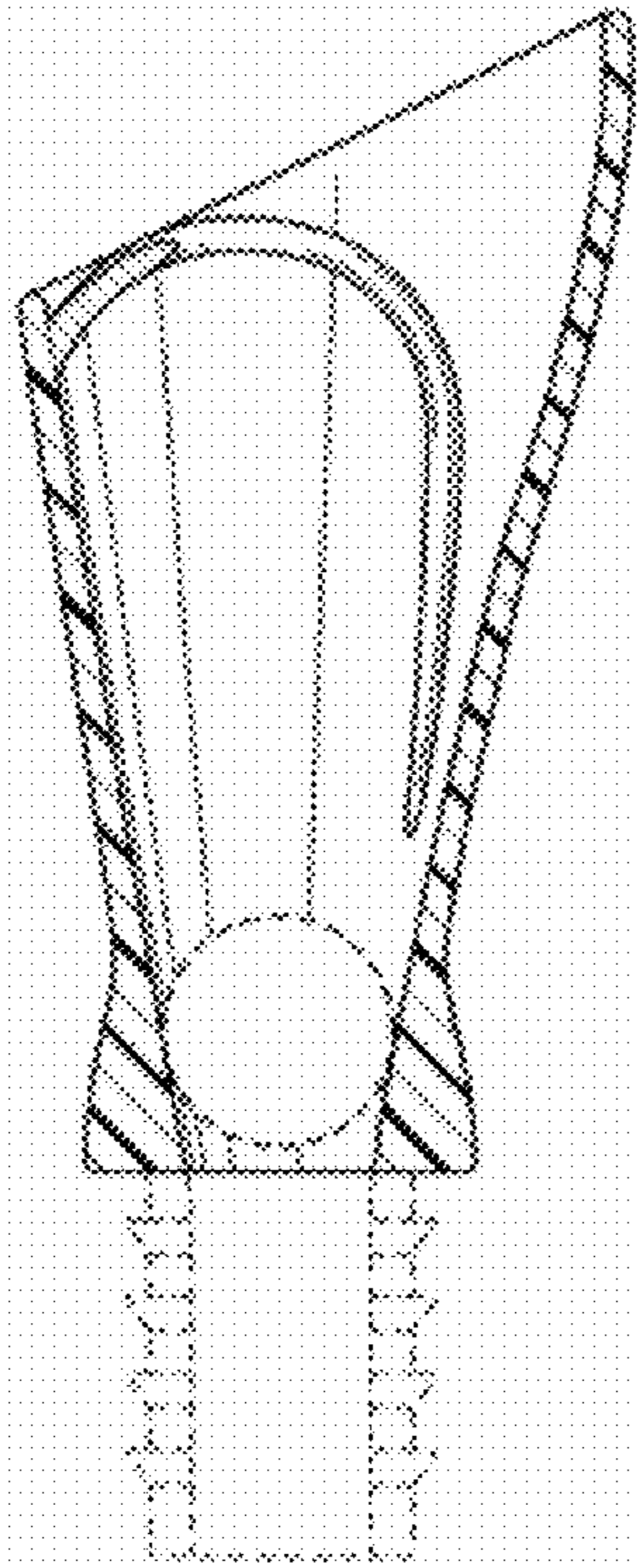


FIG. 8