



US00D663171S

(12) **United States Design Patent**
Borovicka et al.

(10) **Patent No.:** **US D663,171 S**
(45) **Date of Patent:** **** Jul. 10, 2012**

(54) **MEAT CLAW**

(75) Inventors: **Cory Thomas Borovicka**, Oakland, CA (US); **Kwame Phillips-Solomon**, Emeryville, CA (US)

(73) Assignee: **Charcoal Companion Incorporated**, Emeryville, CA (US)

(**) Term: **14 Years**

(21) Appl. No.: **29/399,765**

(22) Filed: **Aug. 18, 2011**

(51) **LOC (9) Cl.** **07-06**

(52) **U.S. Cl.** **D7/683**

(58) **Field of Classification Search** D7/680-696;
D8/6; D32/40, 46, 51, 52; D30/162; 30/322,
30/323, 315, 148, 150, 142, 147, 137, 299;
99/426, 464; 7/112

See application file for complete search history.

(56) **References Cited**

U.S. PATENT DOCUMENTS

| | | | | |
|-----------|-----|---------|------------|--------|
| 2,496,062 | A * | 1/1950 | Morfesi | 7/112 |
| D168,127 | S * | 11/1952 | Schoenfeld | D7/683 |
| D230,392 | S * | 2/1974 | Rousseau | D8/6 |
| D333,413 | S * | 2/1993 | Kistner | D7/683 |
| 5,209,779 | A * | 5/1993 | Talerico | 99/494 |

OTHER PUBLICATIONS

AwesomeTools.com, Bear Paws Meat Handles, 2011 online catalog, www.awesometools.com/bear-paws.asp, Roseville, CA USA.

Amazon.com, Alaskan Bear Claw Pasta & Salad Server, 2011 online catalog, www.amazon.com, Seattle, WA USA.

Amazon.com, Midwest Gloves and Gear 45TA, Lawn Claws Leaf Scoops, 2011 online catalog, www.amazon.com, Seattle, WA USA.

* cited by examiner

Primary Examiner — Terry Wallace

(74) *Attorney, Agent, or Firm* — Beeson Skinner Beverly, LLP

(57) **CLAIM**

The ornamental design for a meat claw, as shown and described.

DESCRIPTION

FIG. 1 is a top perspective view of a meat claw showing our new design;

FIG. 2 is a top plan view thereof;

FIG. 3 is a left side elevational view thereof, the right side being a mirror image thereof;

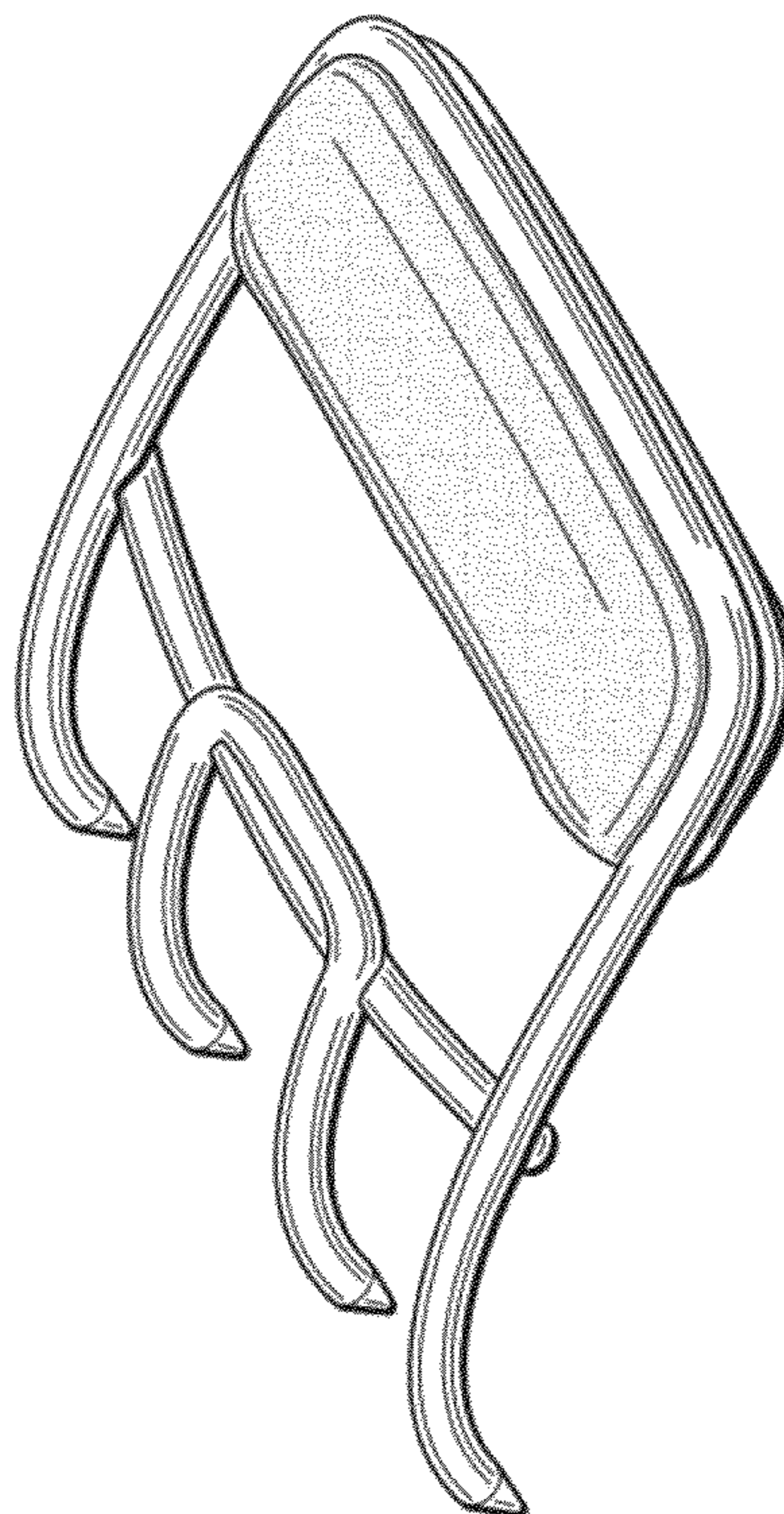
FIG. 4 is a bottom plan view thereof;

FIG. 5 is a front elevational view thereof; and,

FIG. 6 is a rear elevational view thereof.

The meat claw of our new design is held in the hand and can be used singularly or in pairs to pick up meat from a barbecue grill or can be used to pull apart cooked meat such as in preparing pulled pork.

1 Claim, 3 Drawing Sheets



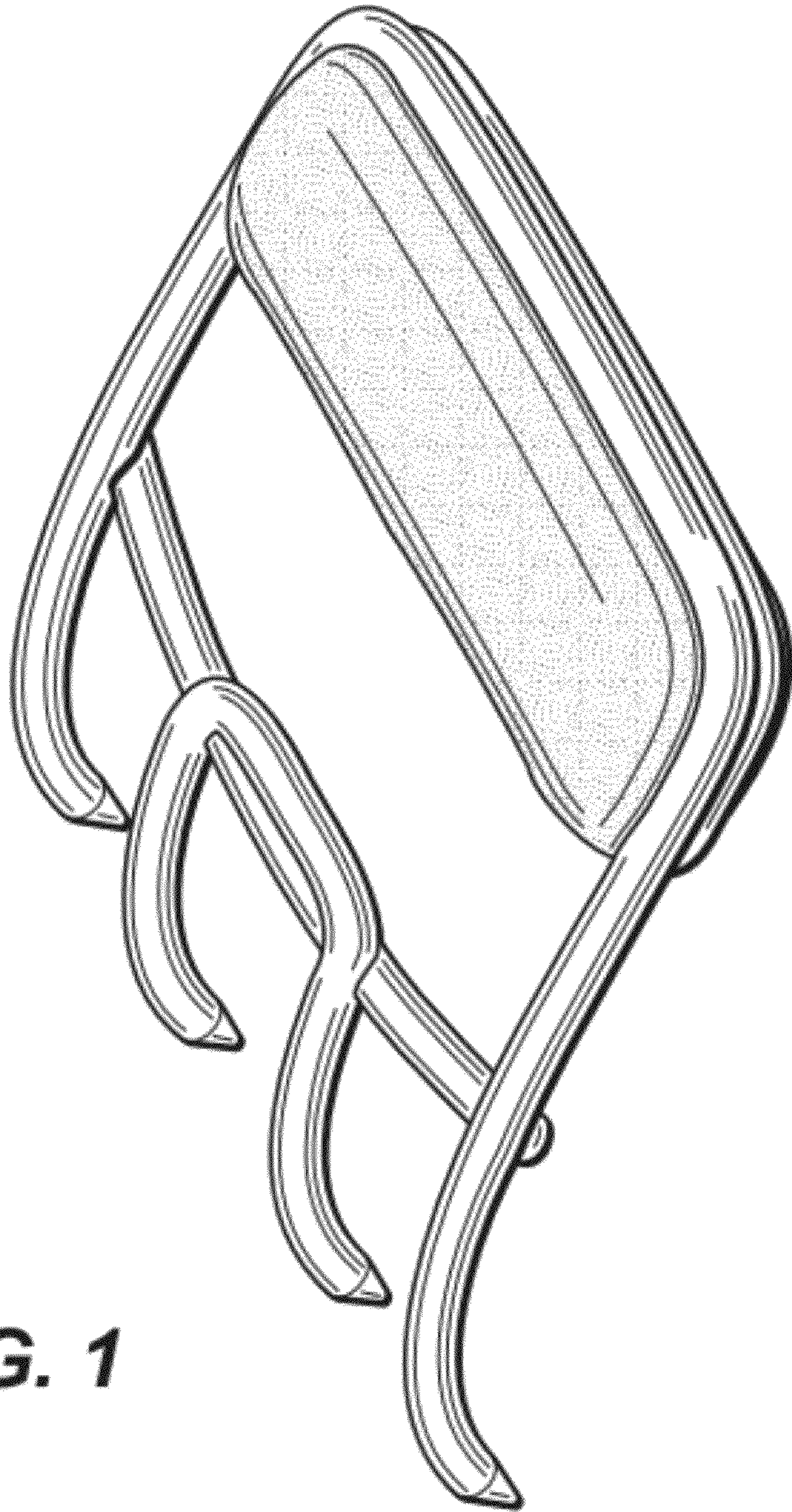


FIG. 1

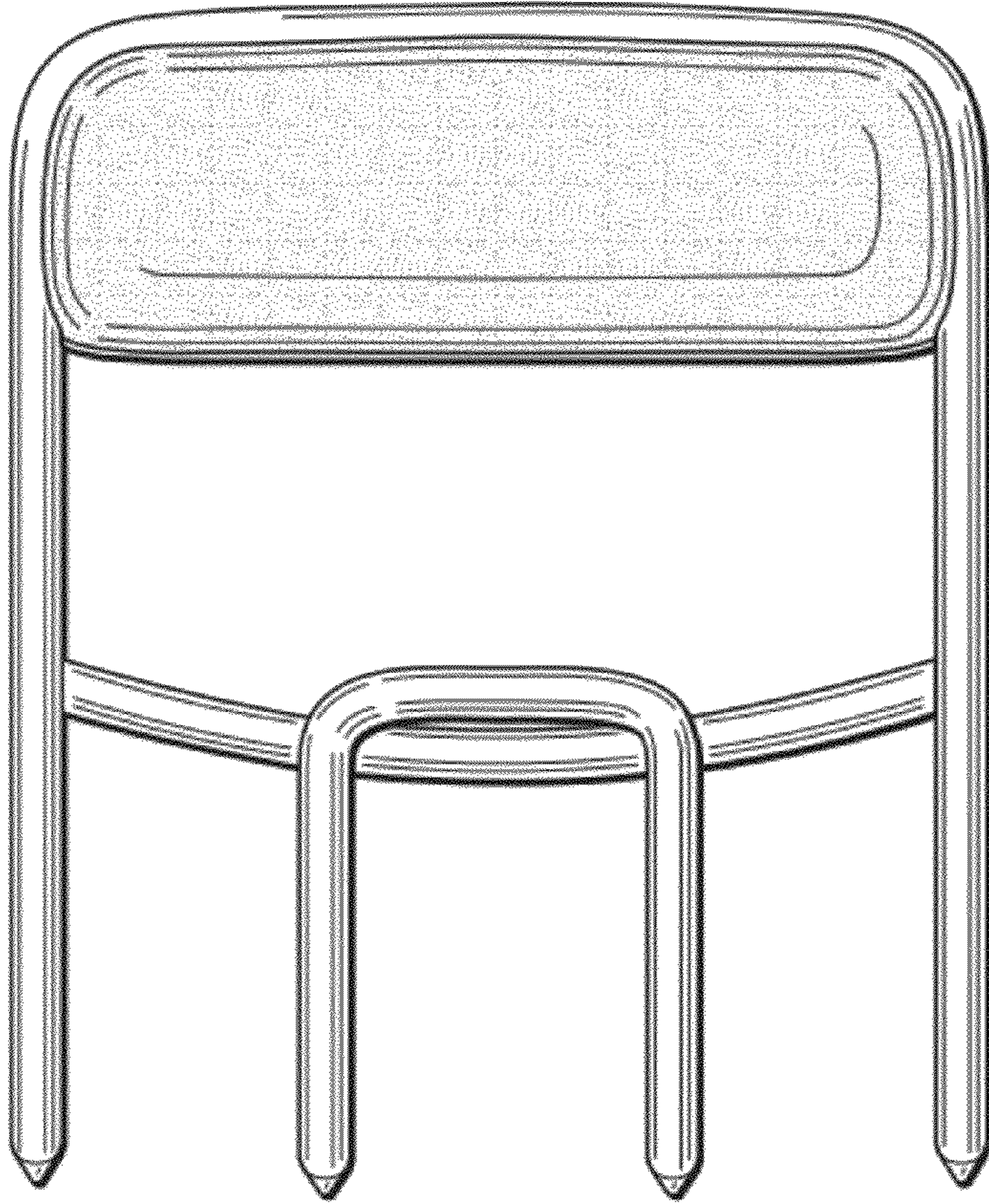


FIG. 2

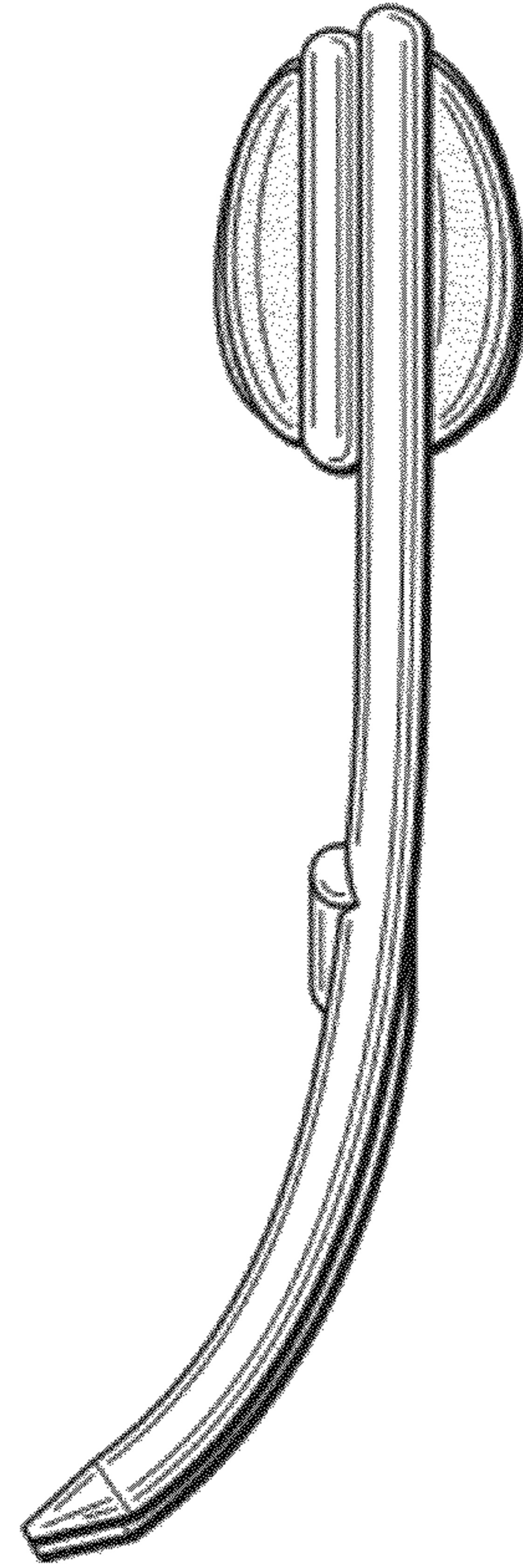


FIG. 3

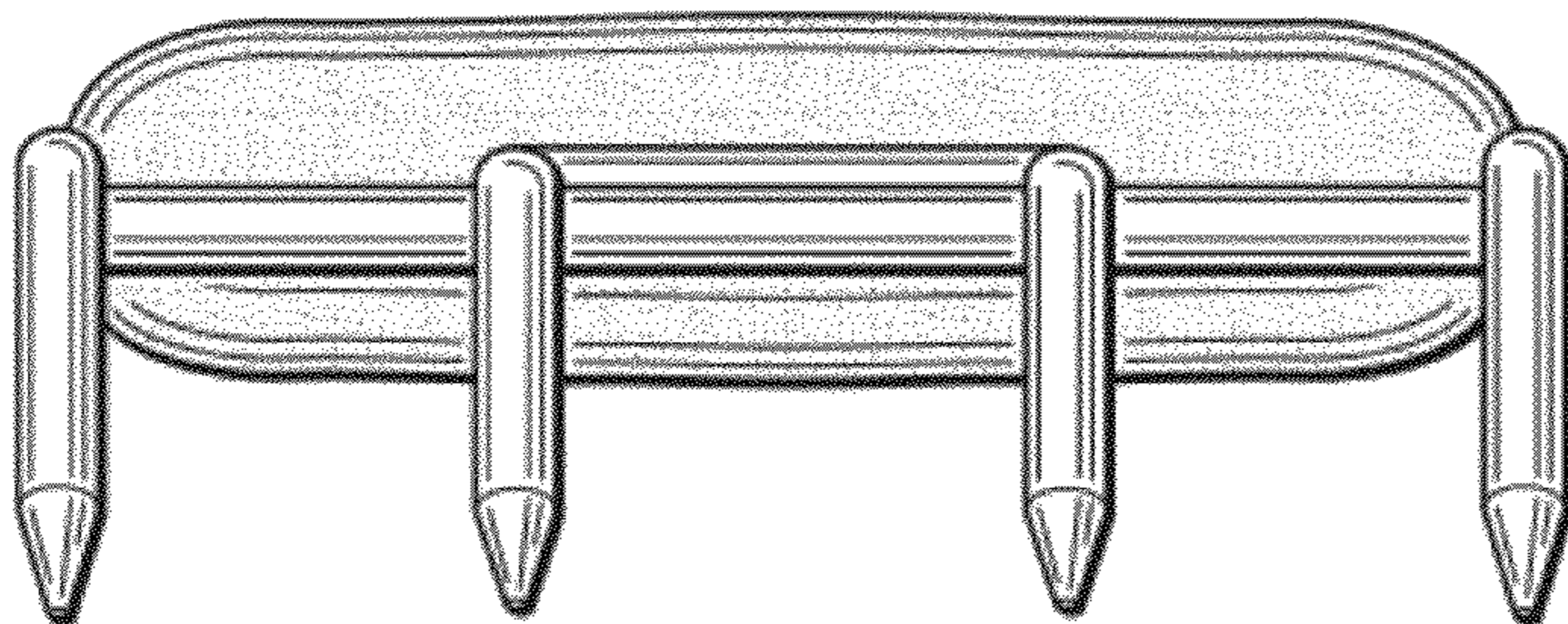


FIG. 5

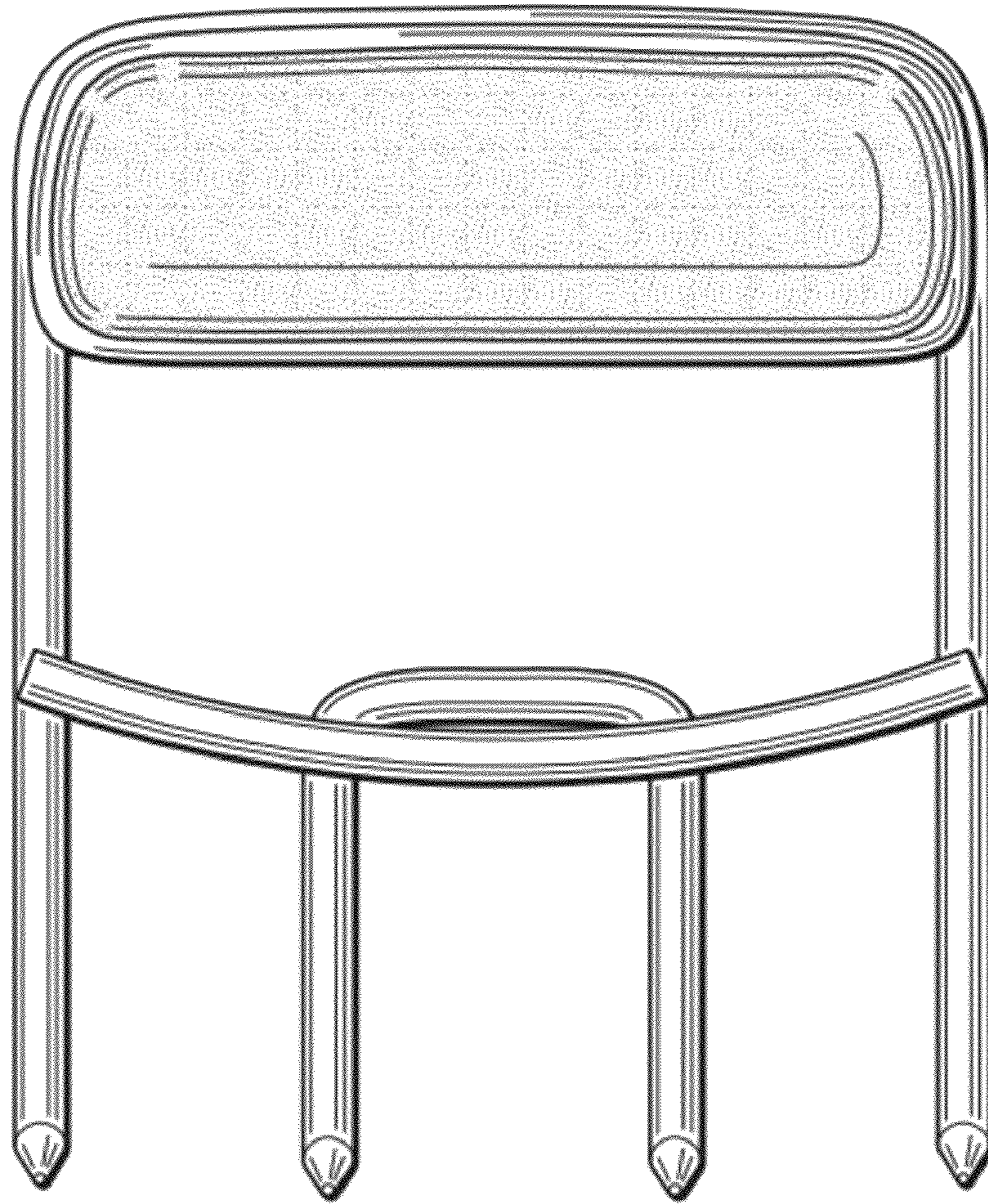


FIG. 4

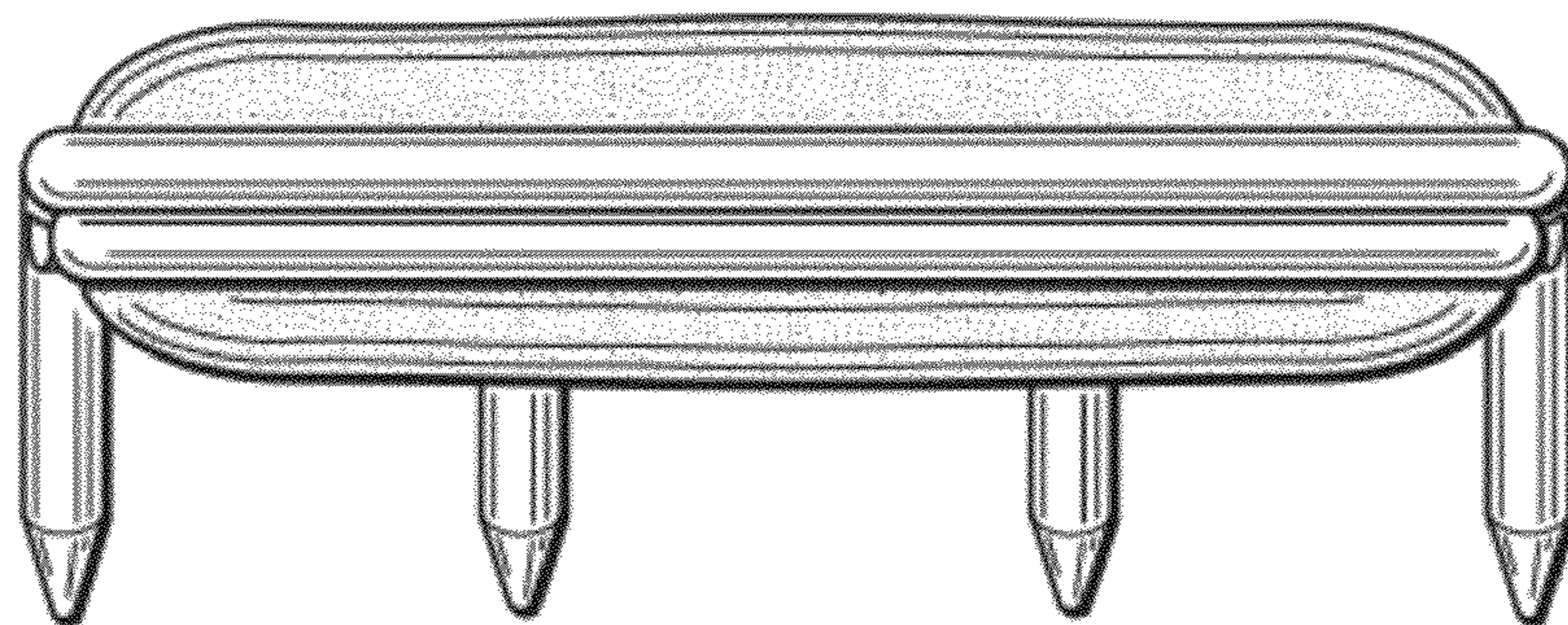


FIG. 6