



US00D663170S

(12) **United States Design Patent**
Schlör

(10) **Patent No.:** **US D663,170 S**
(45) **Date of Patent:** **** Jul. 10, 2012**

- (54) **FRUIT PROCESSING AND JUICE EXTRACTION DEVICE**
- (76) Inventor: **Simon Schlör**, Darmstadt (DE)
- (**) Term: **14 Years**
- (21) Appl. No.: **29/384,913**
- (22) Filed: **Feb. 4, 2011**
- (51) **LOC (9) Cl.** **07-04**
- (52) **U.S. Cl.** **D7/665; D7/601**
- (58) **Field of Classification Search** D7/368,
D7/412-415, 509, 523, 543, 584, 587, 601-602,
D7/630, 665; D9/516, 520, 543, 559, 561,
D9/424-425, 430-431, 434-435; 220/23.9,
220/23.91, 62.11, 62.12, 660, 669-673, 675,
220/677, 695
See application file for complete search history.

(56) **References Cited**

U.S. PATENT DOCUMENTS

2,695,115	A	*	11/1954	Roop	220/802
D187,451	S	*	3/1960	Schier et al.	D7/665
D195,525	S	*	6/1963	Patton, Jr.	D7/587
D285,405	S	*	9/1986	Grange	D7/412
D313,203	S	*	12/1990	Carlson	D11/153
D478,819	S	*	8/2003	Pfaeffli et al.	D9/559

D484,363	S	*	12/2003	de Groote et al.	D7/543
D569,764	S	*	5/2008	Schmidt	D11/152
D587,973	S	*	3/2009	Romano	D7/629
D613,612	S	*	4/2010	D'Amato	D9/561
D619,424	S	*	7/2010	Yang et al.	D7/615
D620,662	S	*	7/2010	Blanchard	D32/54
D639,115	S	*	6/2011	Stewart et al.	D7/543
D650,633	S	*	12/2011	Birgers	D7/510

* cited by examiner

Primary Examiner — Dana L Meyrow

(74) *Attorney, Agent, or Firm* — Bay Area Technology Law Group PC

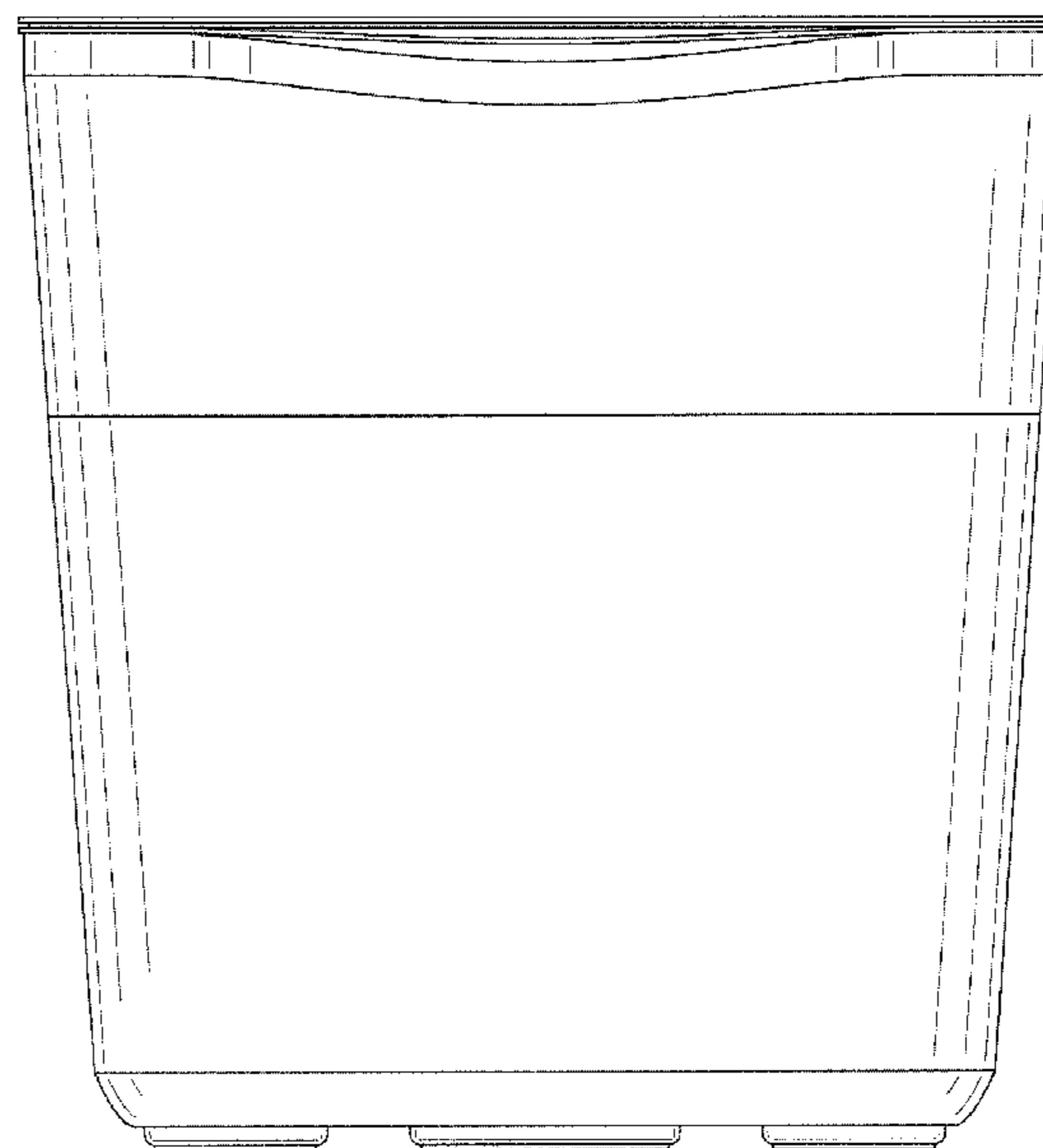
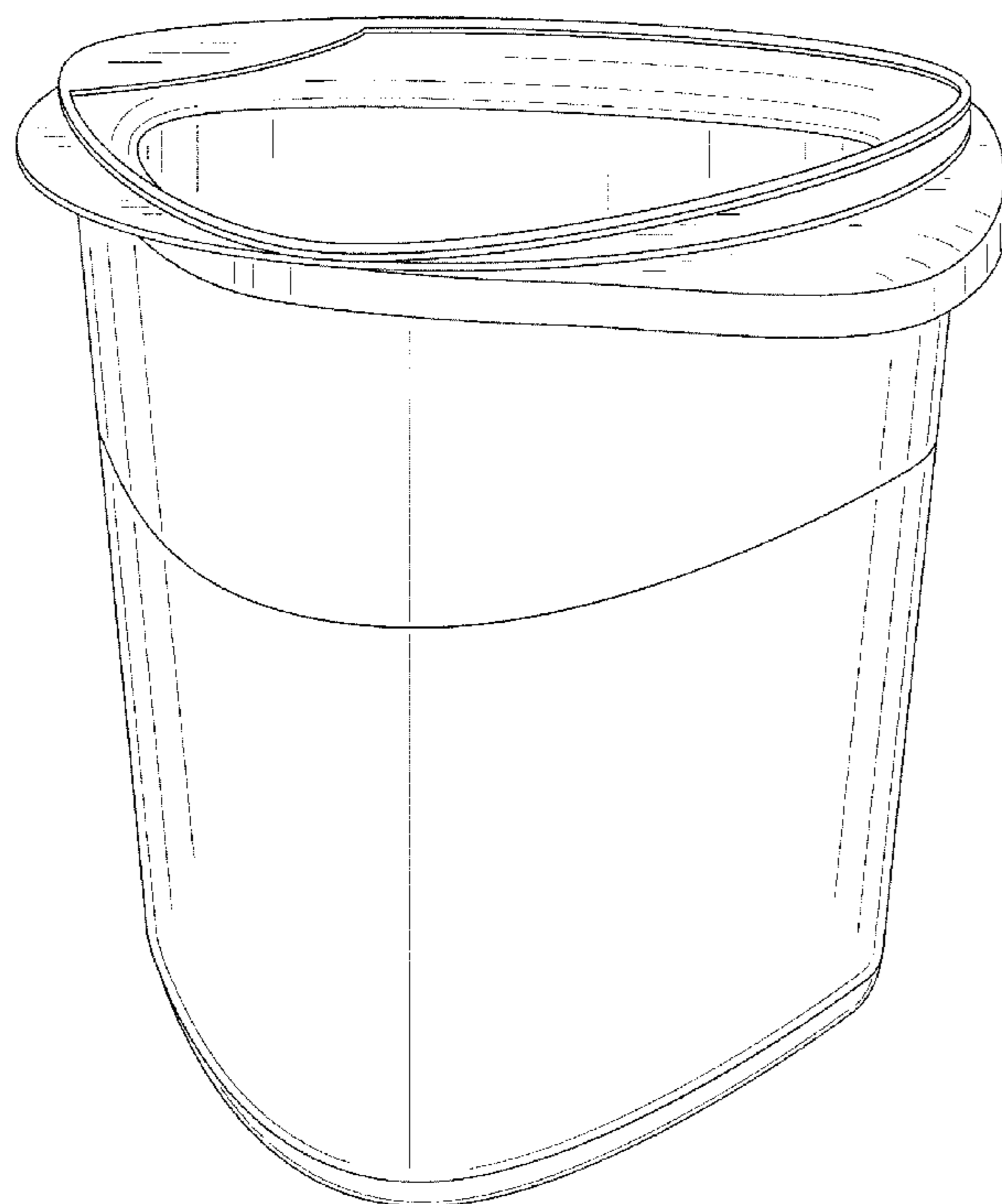
(57) **CLAIM**

The ornamental design for a fruit processing and juice extracting device, as shown and described

DESCRIPTION

FIG. 1 is a perspective view of a fruit processing and juice extracting device showing my new design;
 FIG. 2 is a front view of FIG. 1;
 FIG. 3 is a rear view of FIG. 1;
 FIG. 4 is a right side view of FIG. 1;
 FIG. 5 is a left side view of FIG. 1;
 FIG. 6 is a top plan view of FIG. 1; and,
 FIG. 7 is a bottom plan view of FIG. 1.

1 Claim, 7 Drawing Sheets



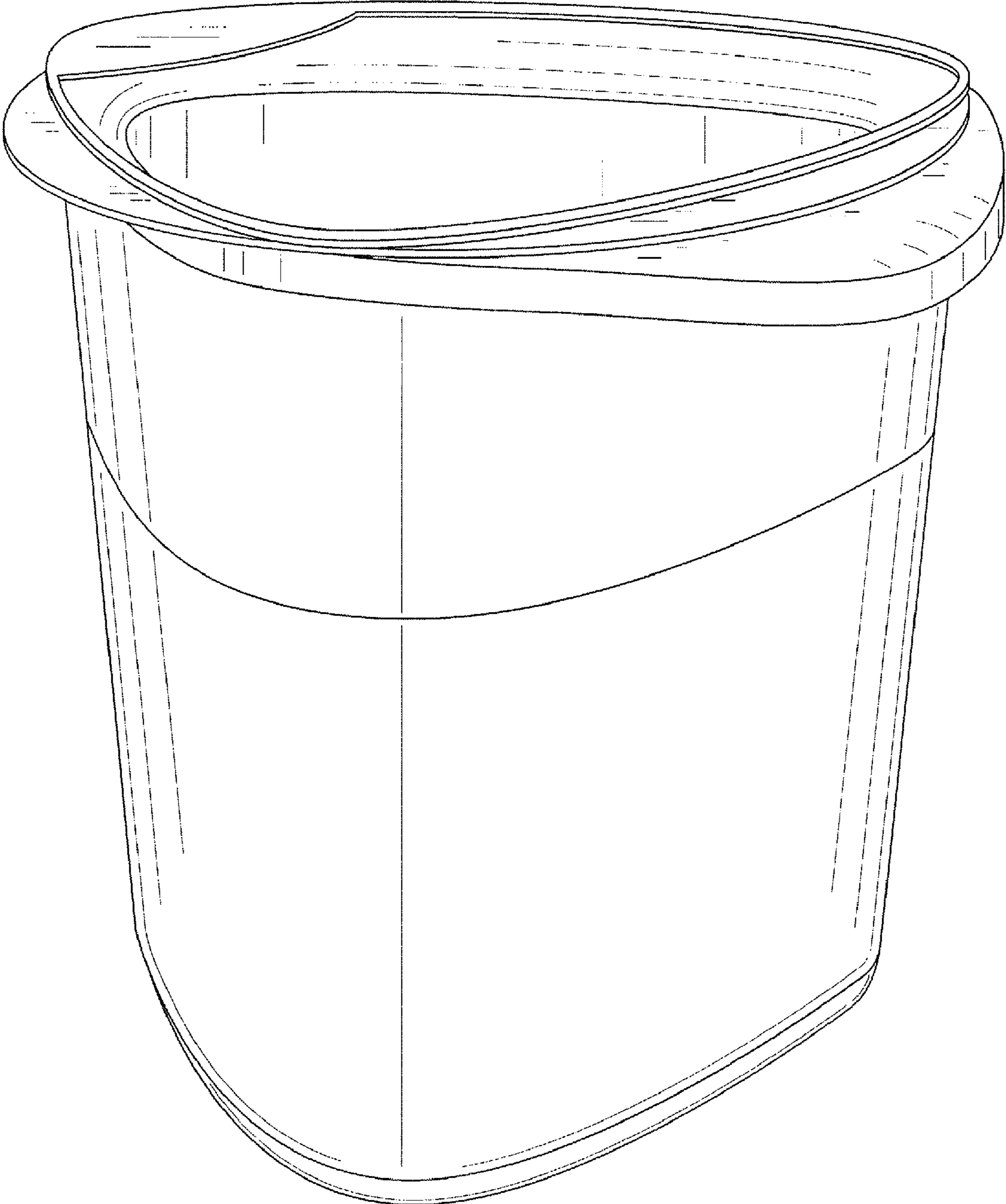


FIG. 1

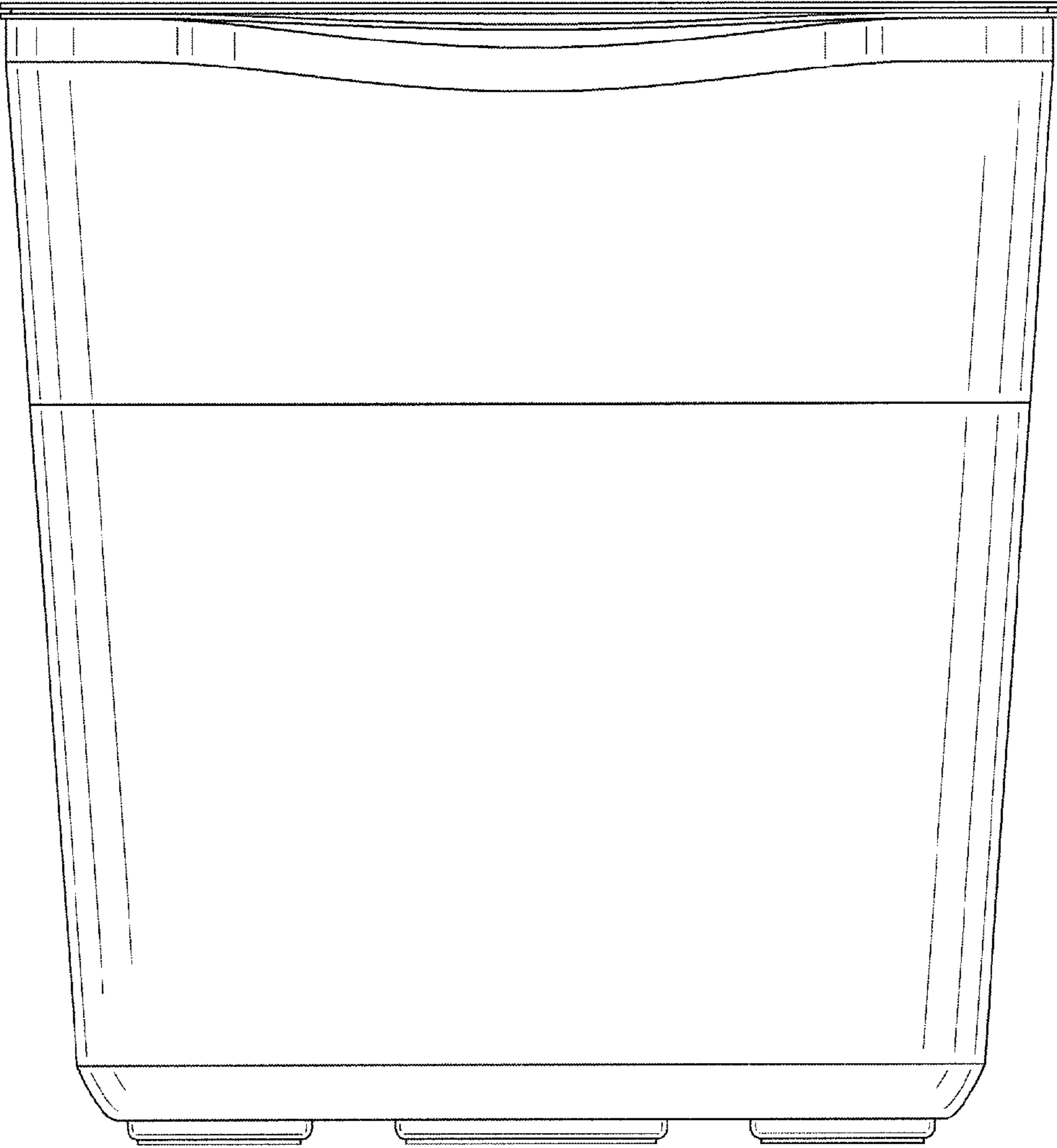


FIG. 2

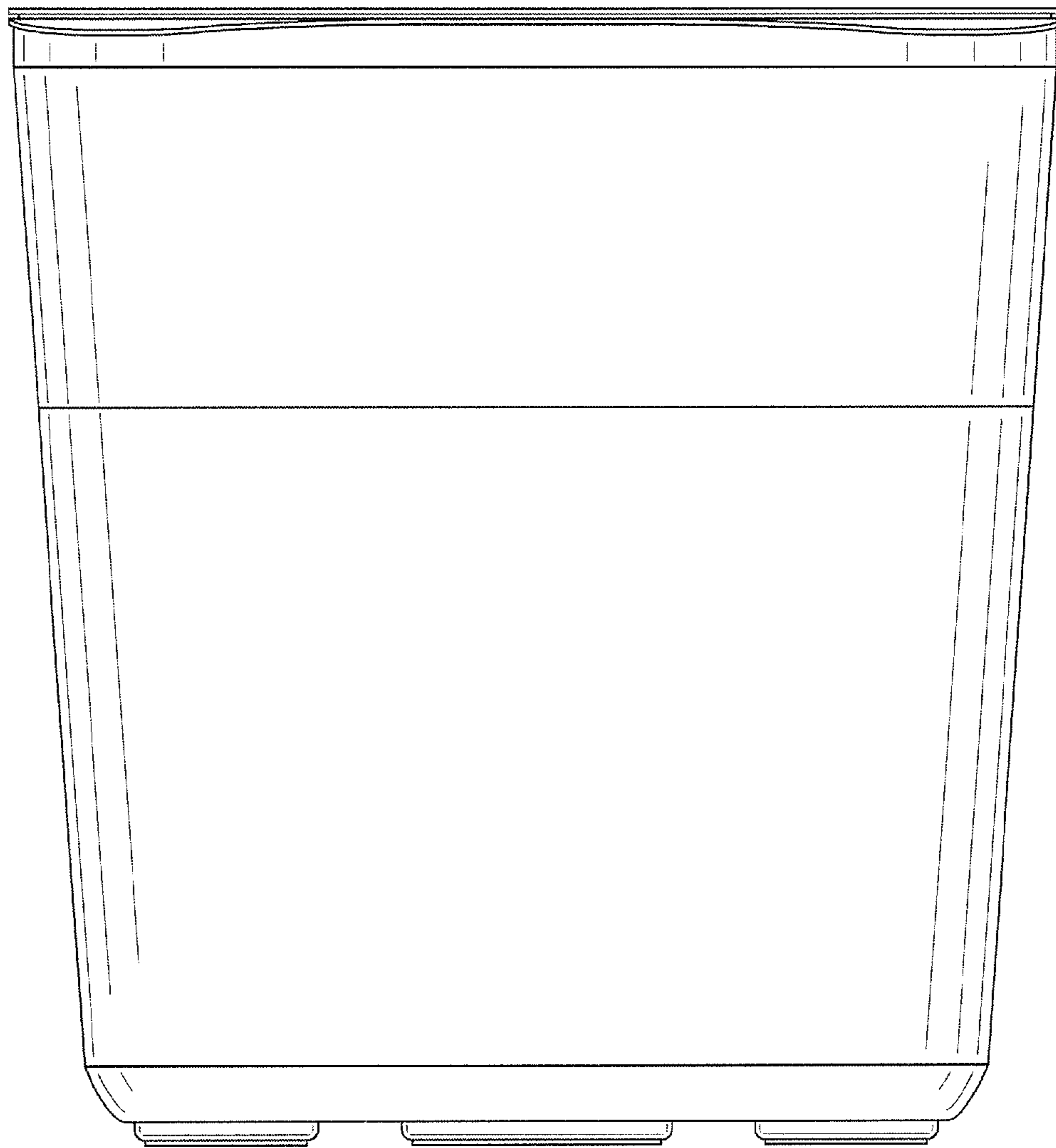


FIG. 3

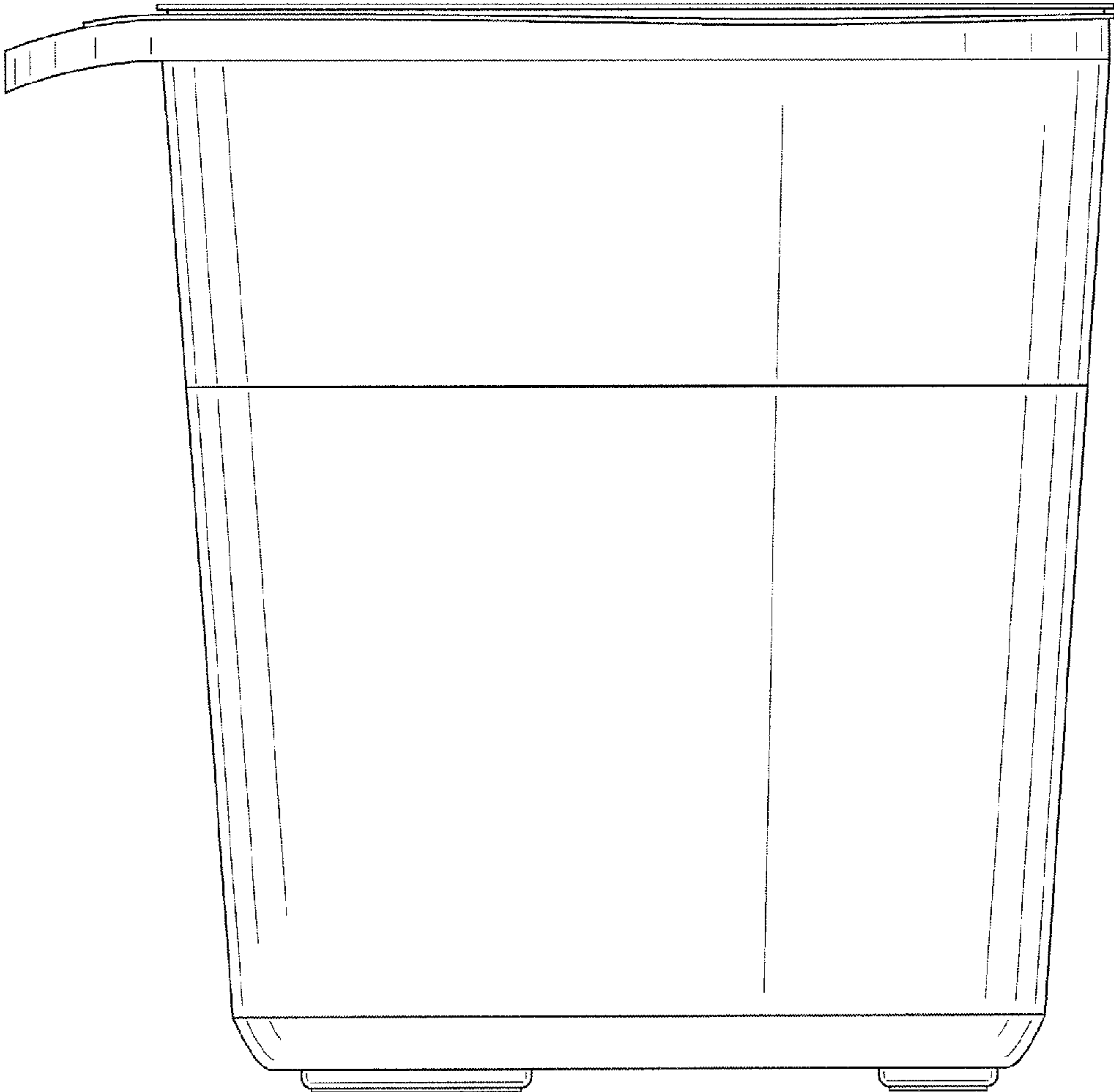


FIG. 4

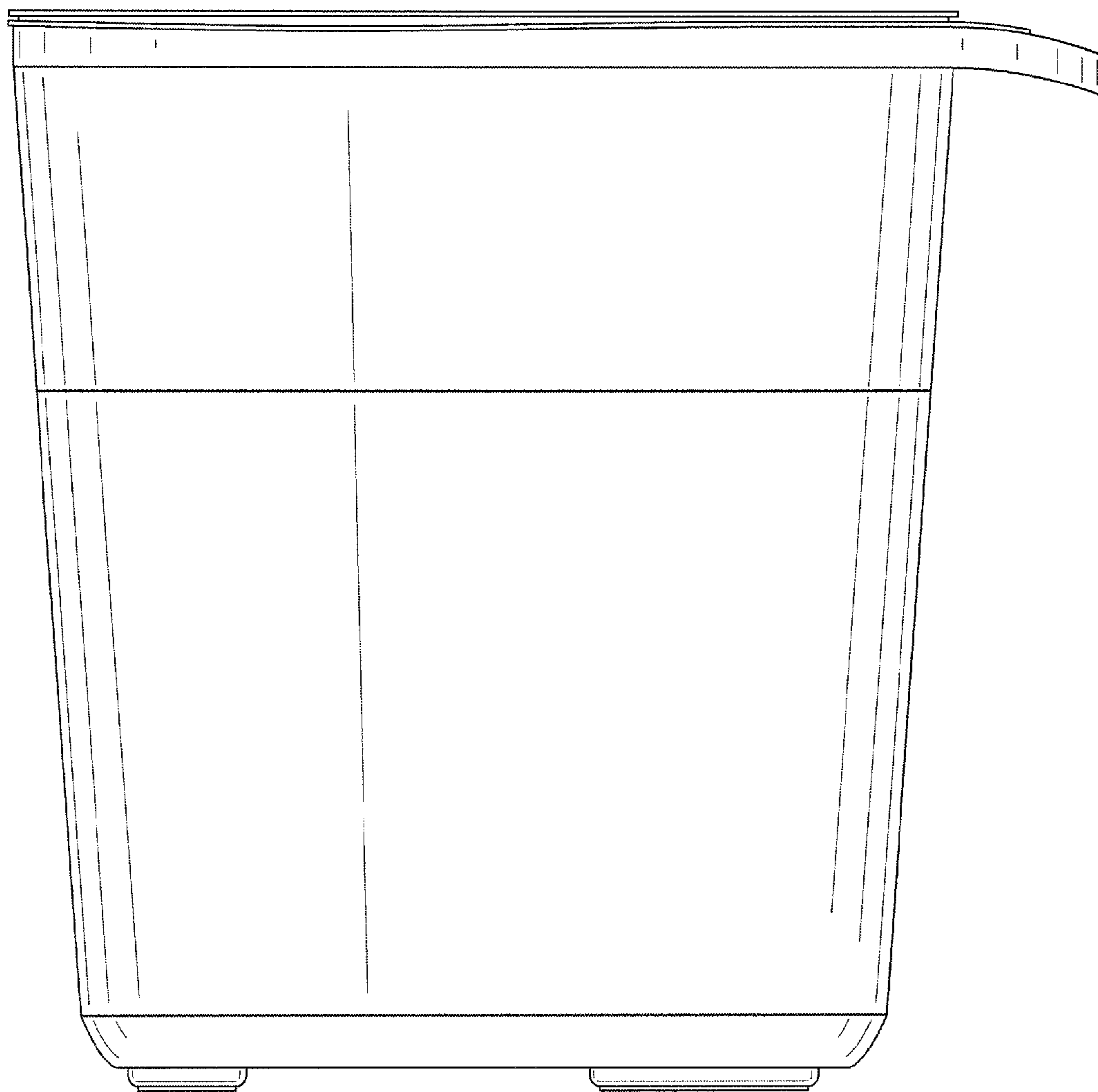


FIG. 5

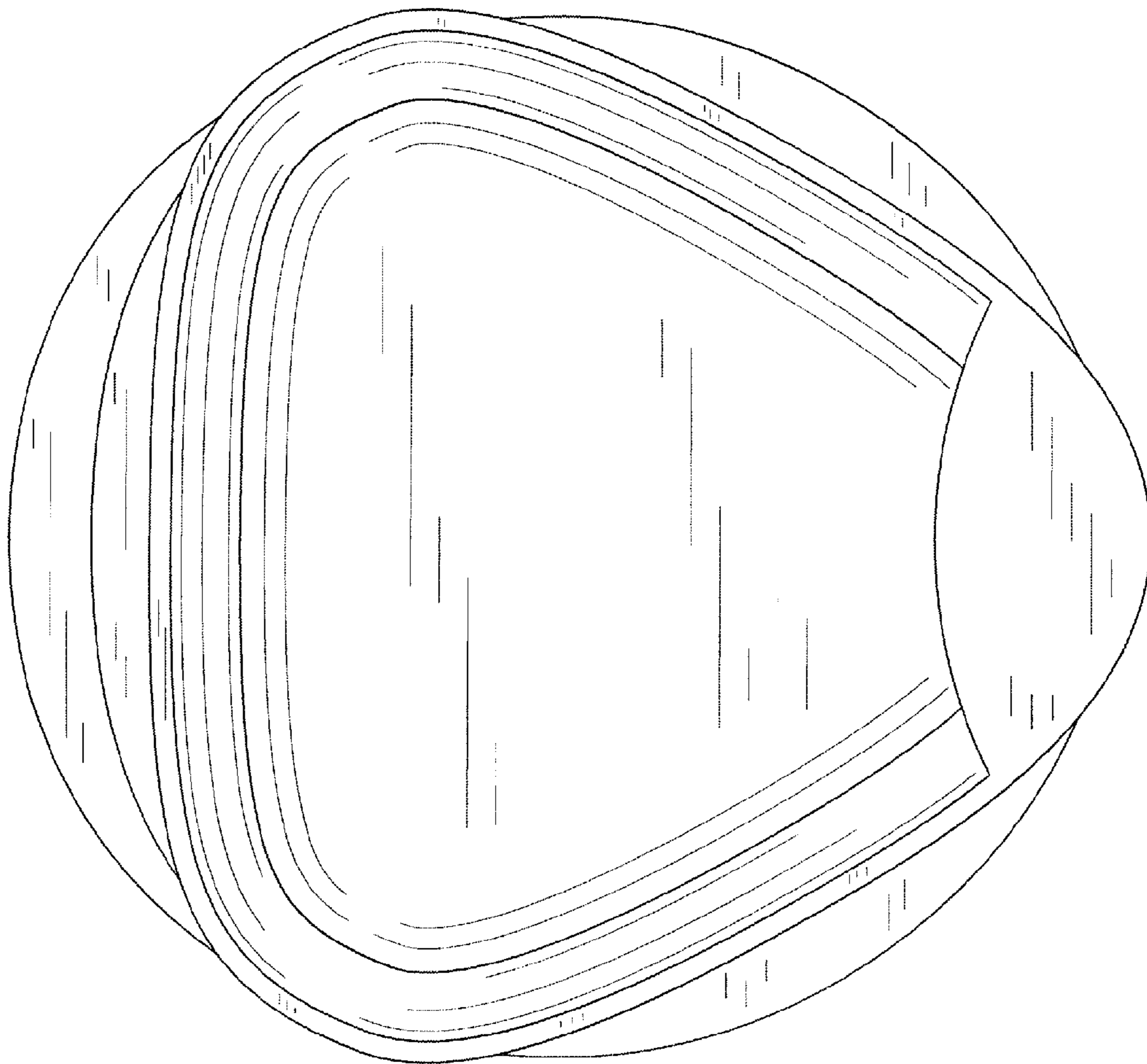


FIG. 6

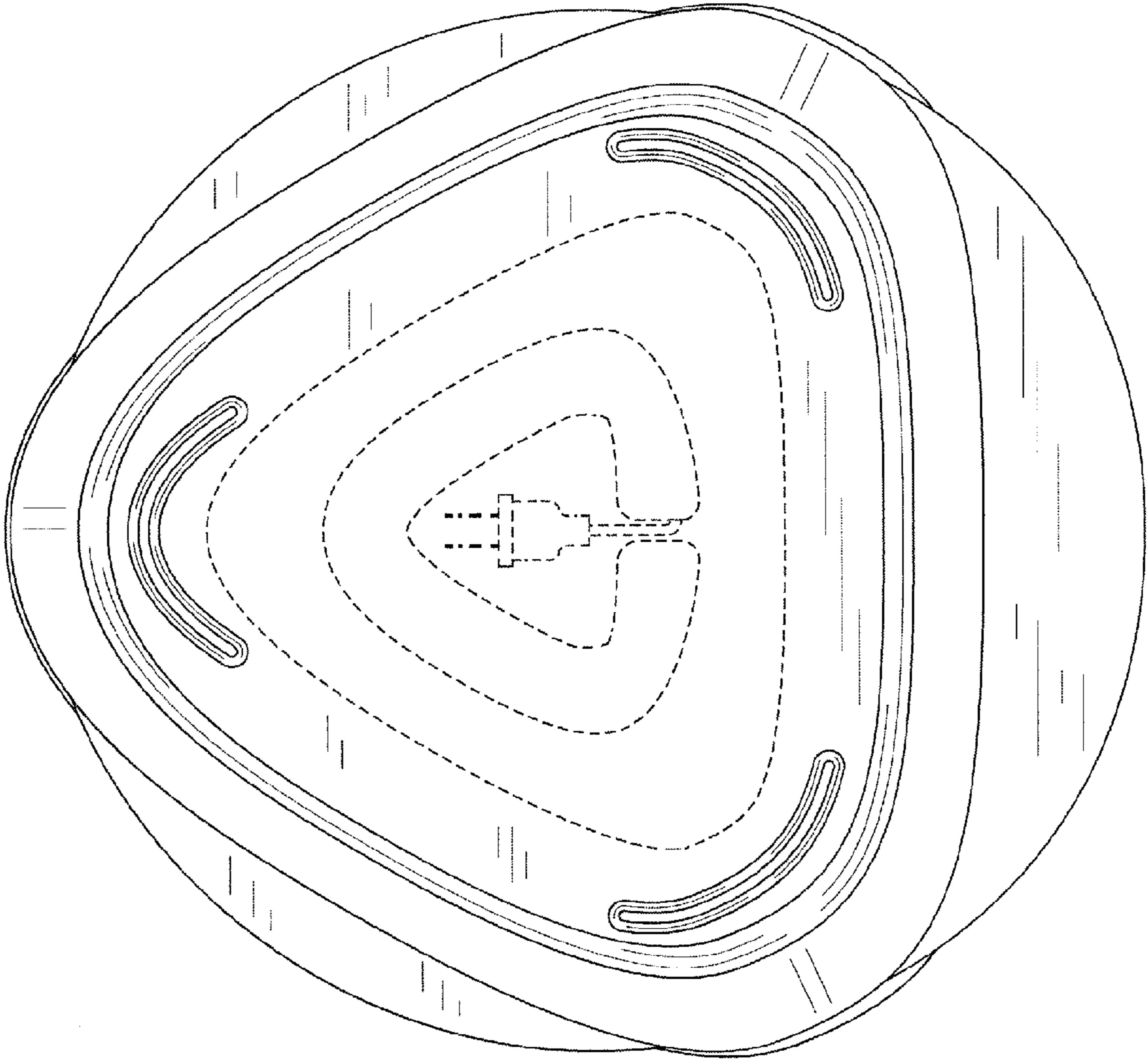


FIG. 7