

US00D663169S

(12) **United States Design Patent**  
**Beggins et al.**

(10) **Patent No.:** **US D663,169 S**  
(45) **Date of Patent:** **\*\* Jul. 10, 2012**

(54) **BEVERAGE COOLER**

*Primary Examiner* — Terry Wallace

(76) Inventors: **Thomas M. Beggins**, San Juan Capistrano, CA (US); **Jeffrey J. Beggins**, Redington Beach, FL (US)

(57) **CLAIM**  
We claim the ornamental design for a beverage cooler, as shown and described.

(\*\*) Term: **14 Years**

**DESCRIPTION**

(21) Appl. No.: **29/411,135**

FIG. 1 is an exploded front view of the beverage cooler; FIG. 2 is an exploded side view of the beverage cooler of FIG. 1; FIG. 3 is an assembled top view of the beverage cooler of FIG. 1; FIG. 4 is an assembled bottom view of the beverage cooler of FIG. 1; FIG. 5 is an assembled perspective view of the beverage cooler of FIG. 1; FIG. 6 is an exploded front view of the beverage cooler of FIG. 1 with the top turned upside down; FIG. 7 is an exploded side view of the beverage cooler of FIG. 1 with the top turned upside down; FIG. 8 is an assembled top view of the beverage cooler of FIG. 6; FIG. 9 is an assembled bottom view of the beverage cooler of FIG. 6; and, FIG. 10 is an assembled perspective of the beverage cooler of FIG. 1 with the top turned upside down. The matter shown in dashed lines is not part of the claimed design.

(22) Filed: **Jan. 17, 2012**

(51) **LOC (9) Cl.** ..... **07-01**

(52) **U.S. Cl.** ..... **D7/608; D7/624.2**

(58) **Field of Classification Search** ..... D7/603–608, D7/619.1–625; 215/12.1, 12.2, 13.1, 394–396; 220/902, 903, 592.2, 592.01, 592.03, 592.16, 220/592.17, 737–740; 62/457.1–457.9, 371, 62/372

See application file for complete search history.

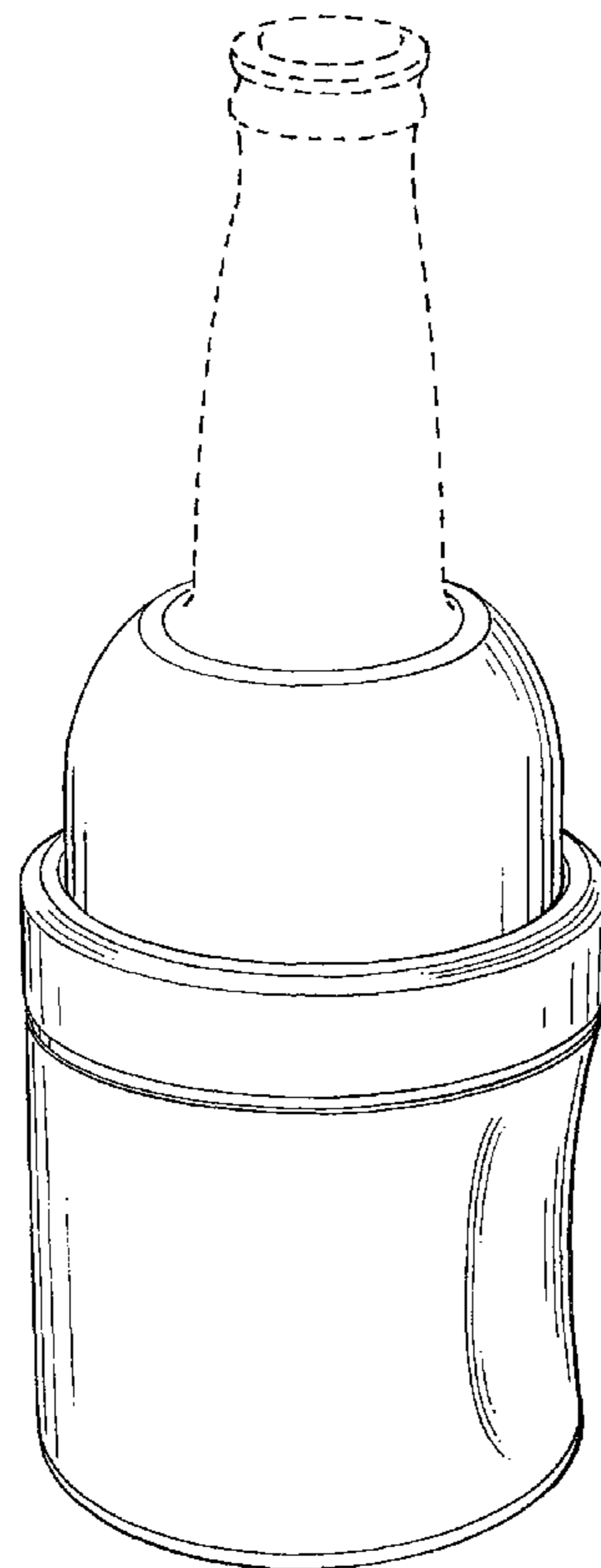
(56) **References Cited**

**U.S. PATENT DOCUMENTS**

5,022,235	A *	6/1991	Grissom	62/457.4
5,186,350	A *	2/1993	McBride	220/739
D378,795	S *	4/1997	King	D7/608
D442,833	S *	5/2001	Shuman	D7/608
RE37,213	E *	6/2001	Staggs	62/457.3
D497,777	S *	11/2004	Sanders et al.	D7/603
D622,553	S *	8/2010	Bollenbacher	D7/624.2

\* cited by examiner

**1 Claim, 8 Drawing Sheets**



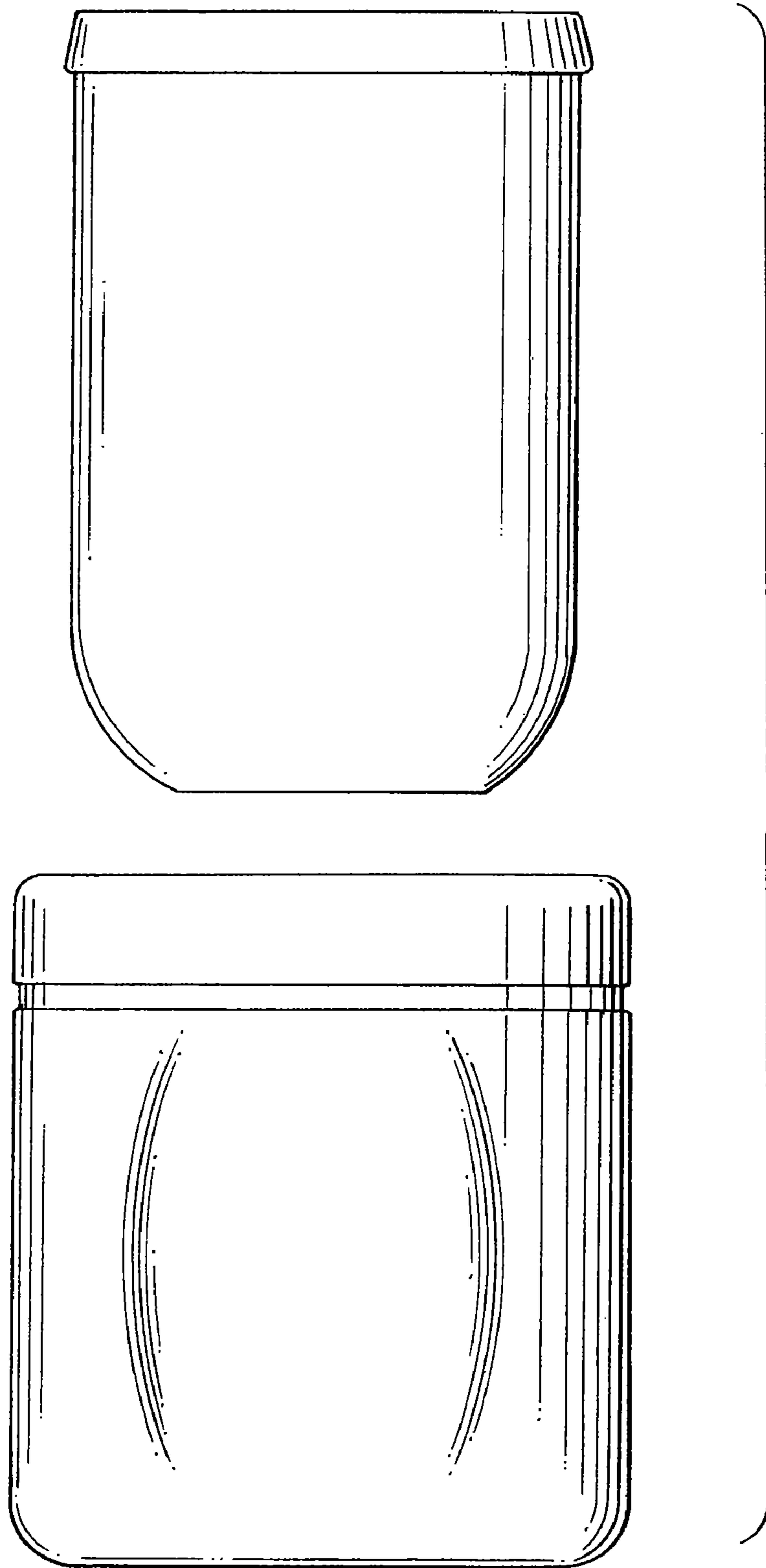
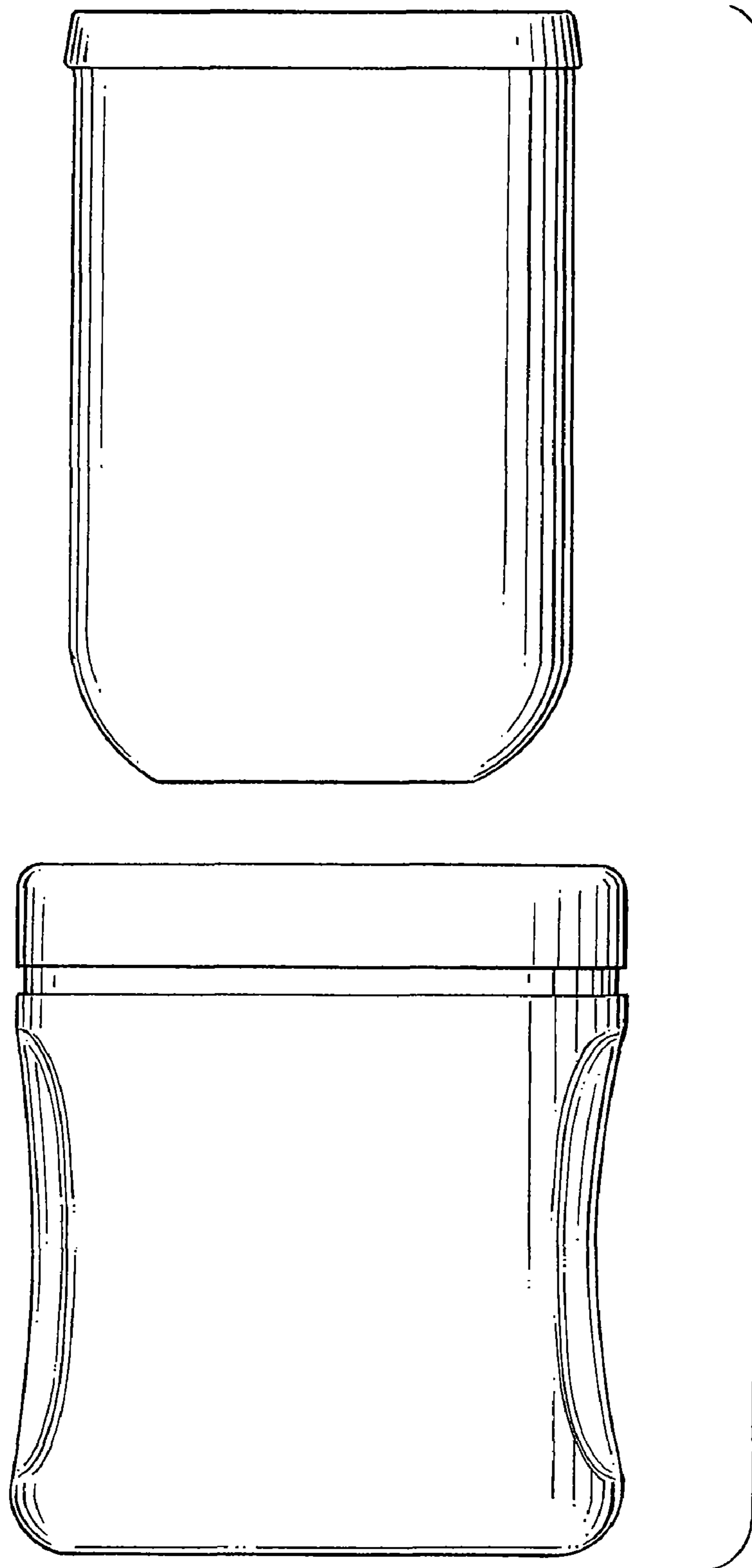
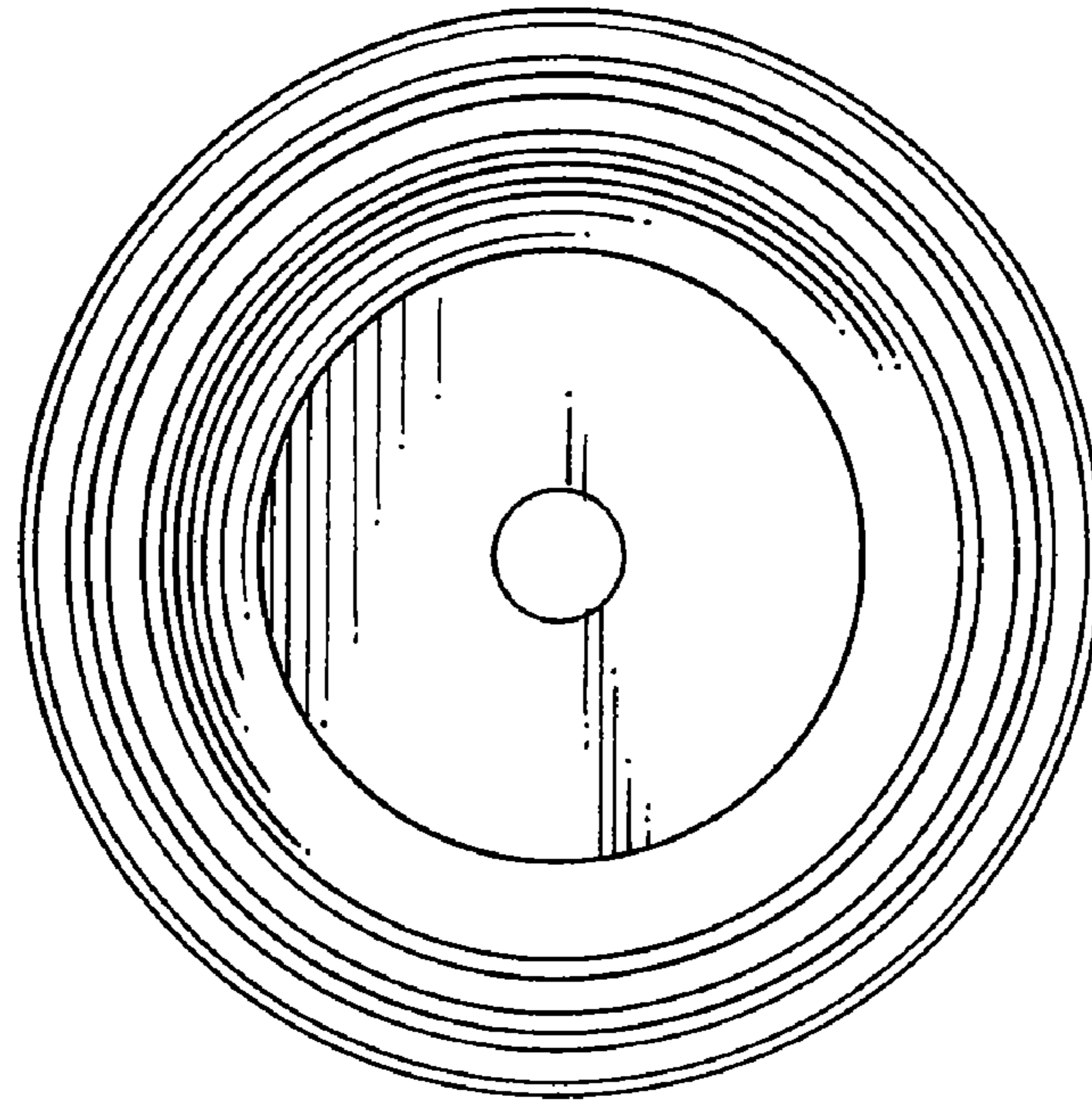


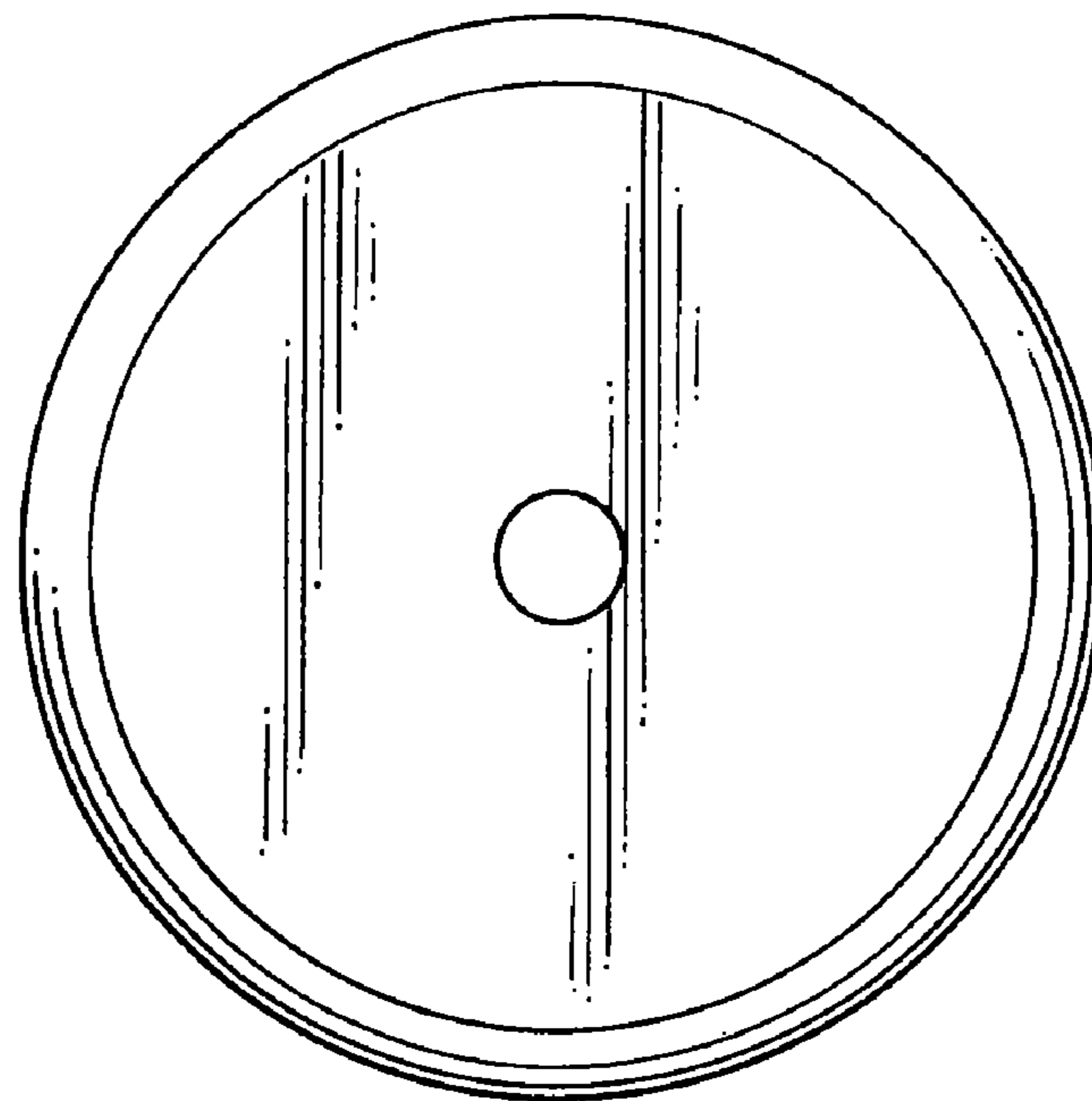
FIG. 1



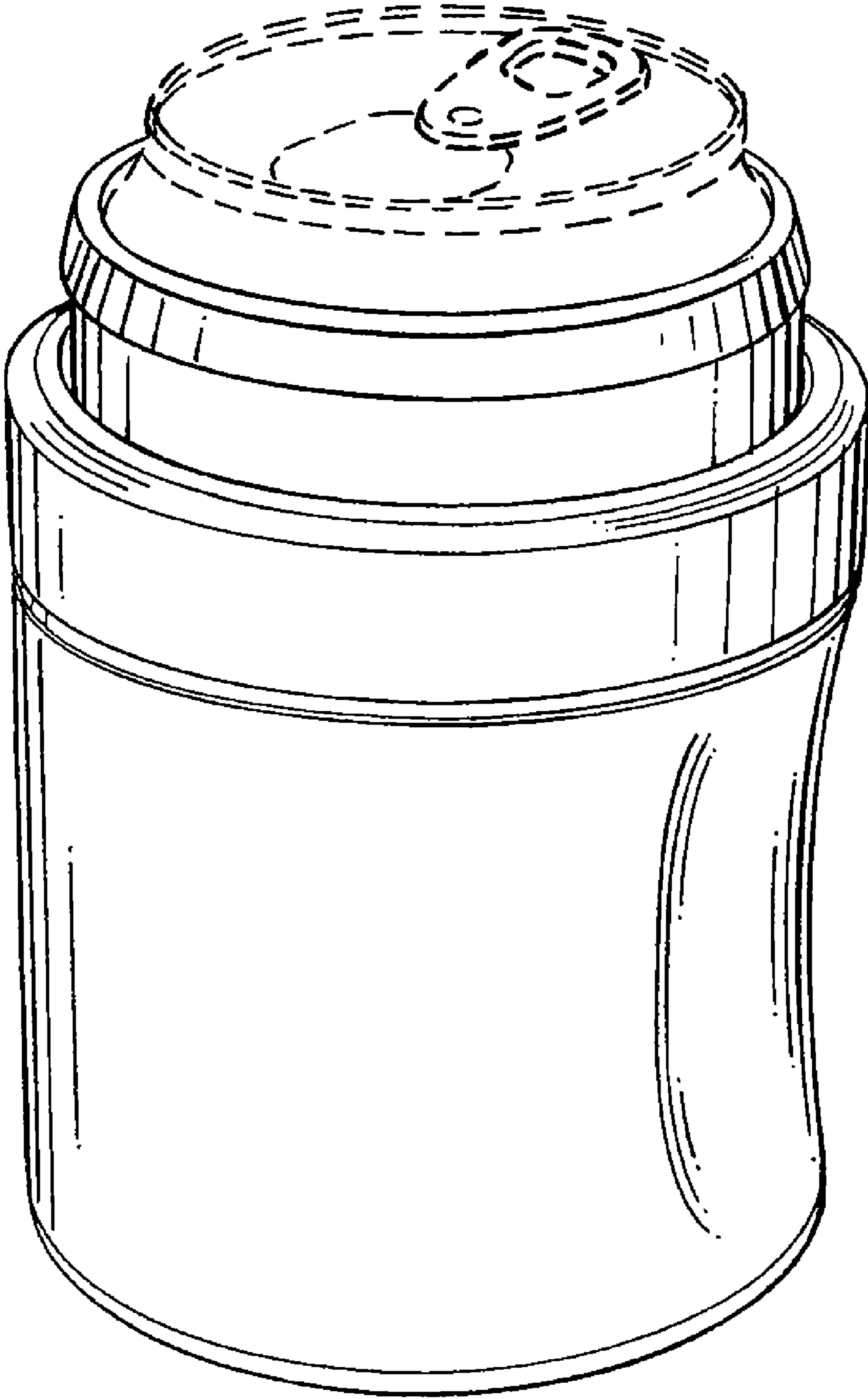
**FIG. 2**



**FIG. 3**



**FIG. 4**



**FIG. 5**

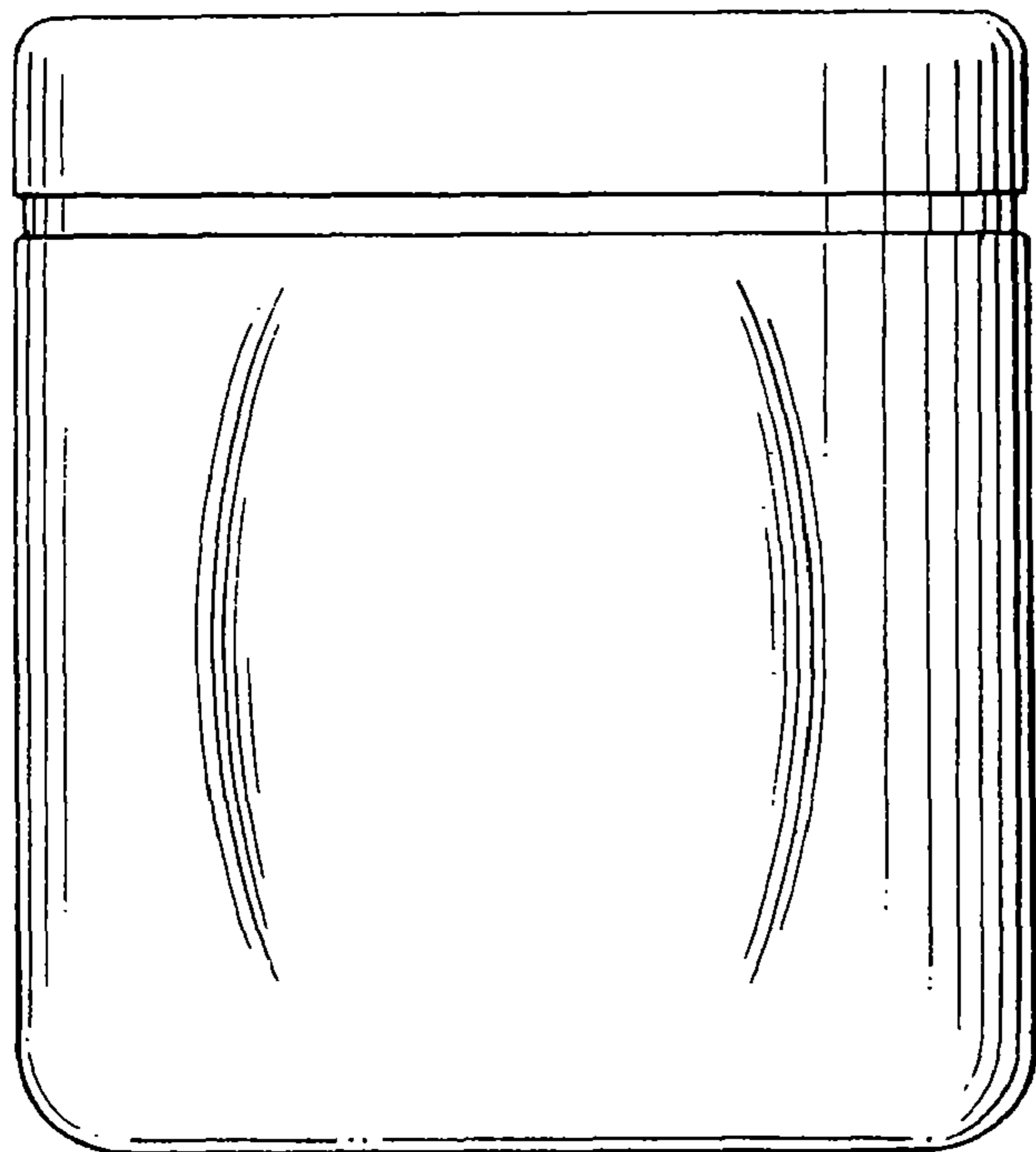
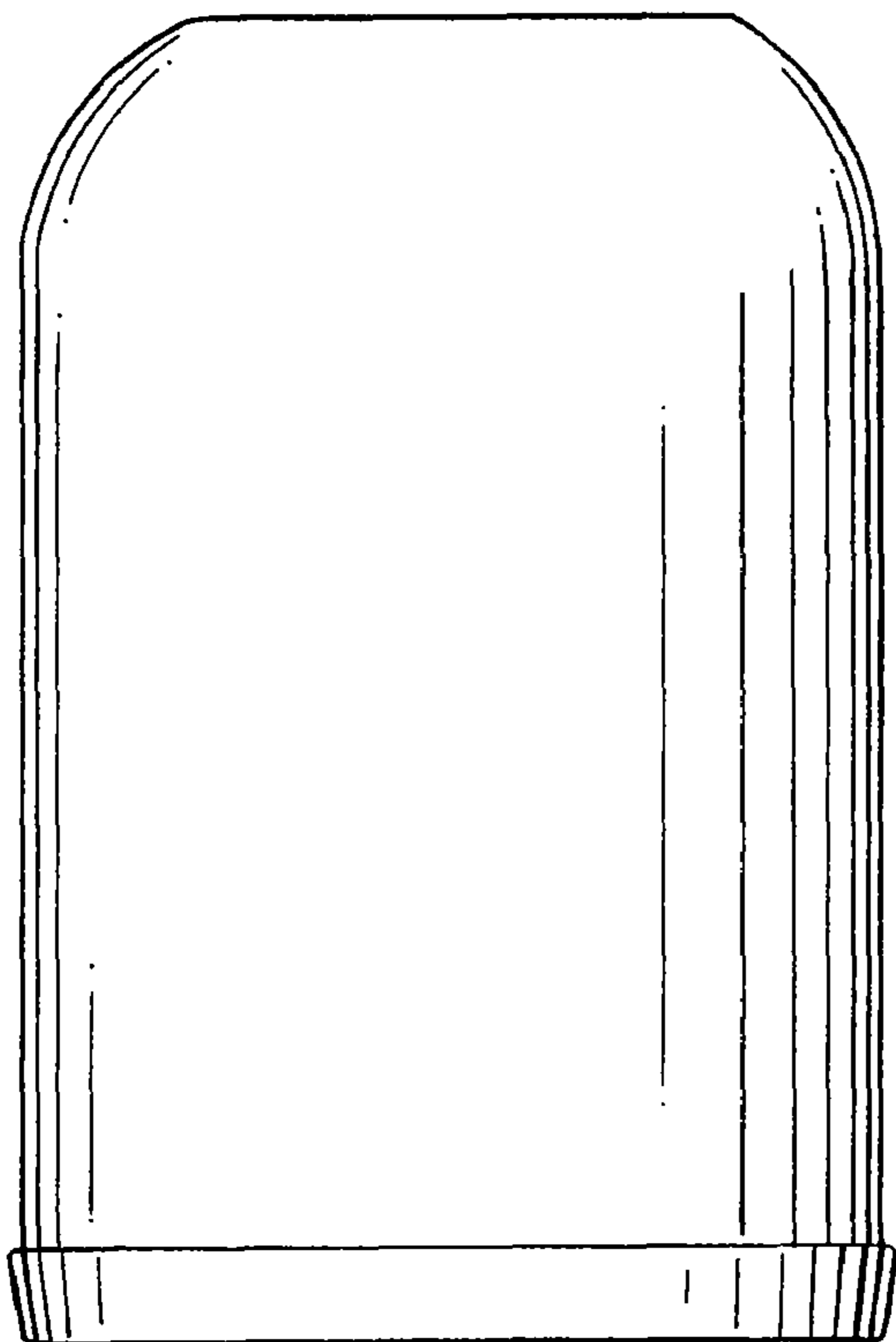
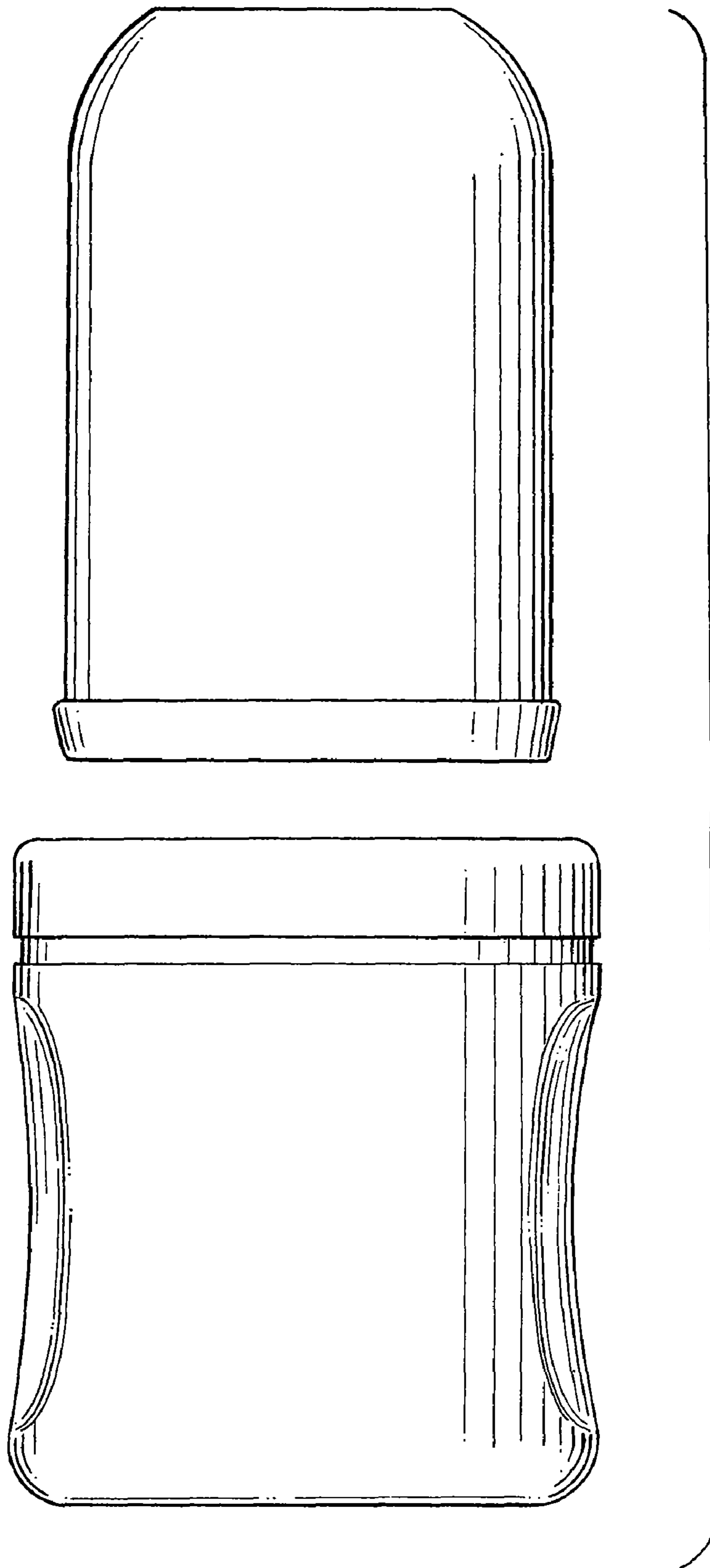
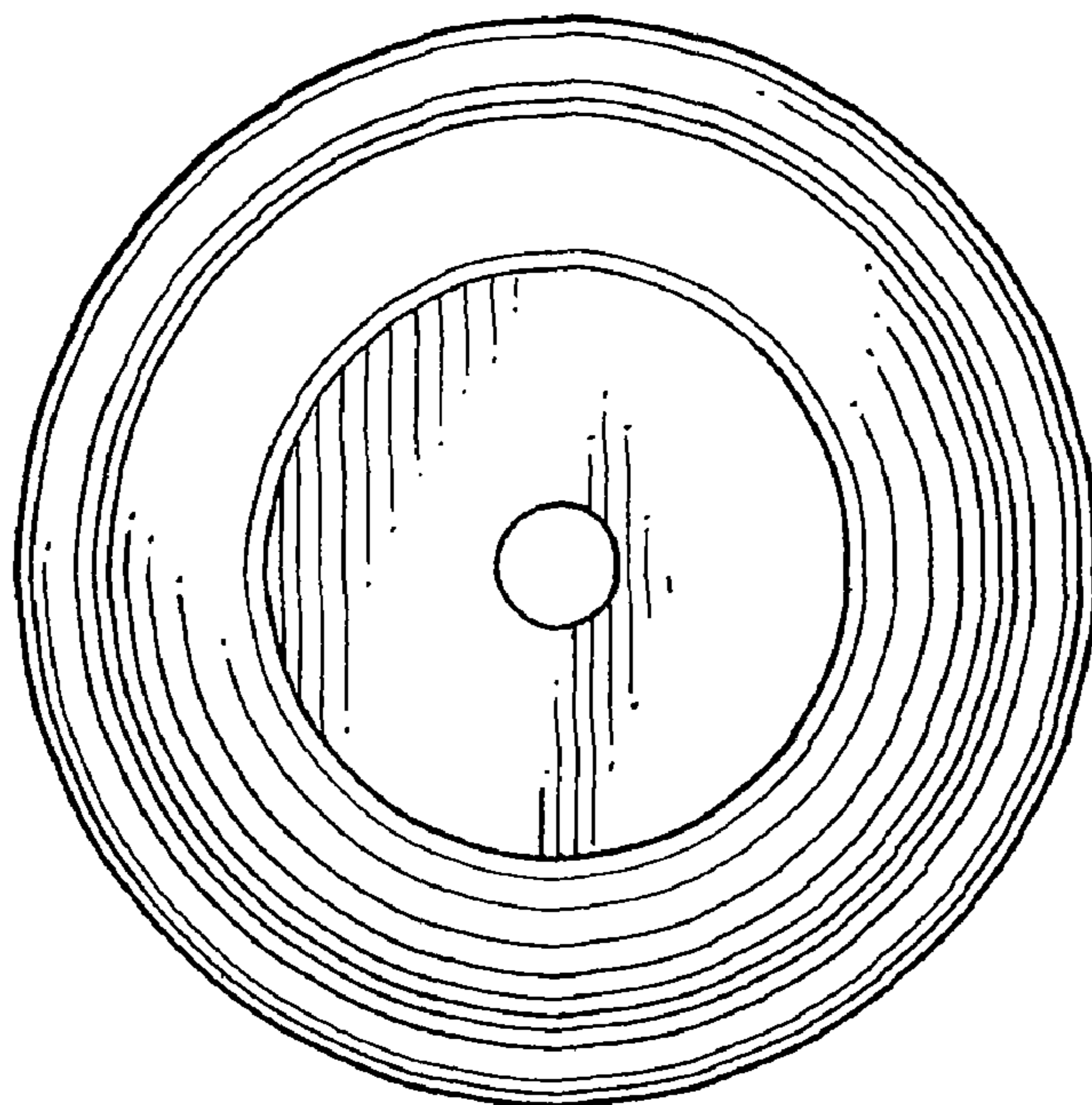


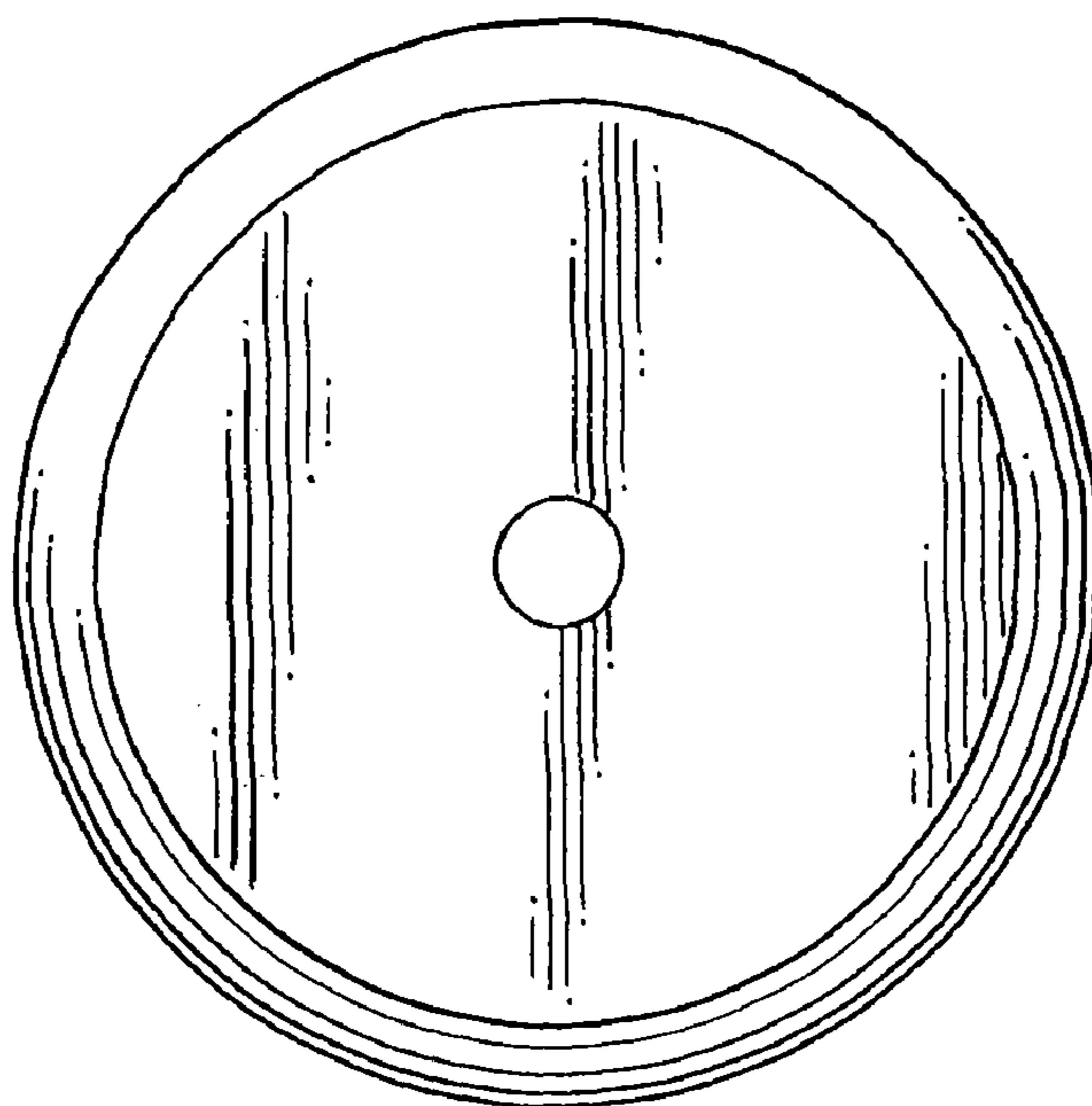
FIG. 6



**FIG. 7**

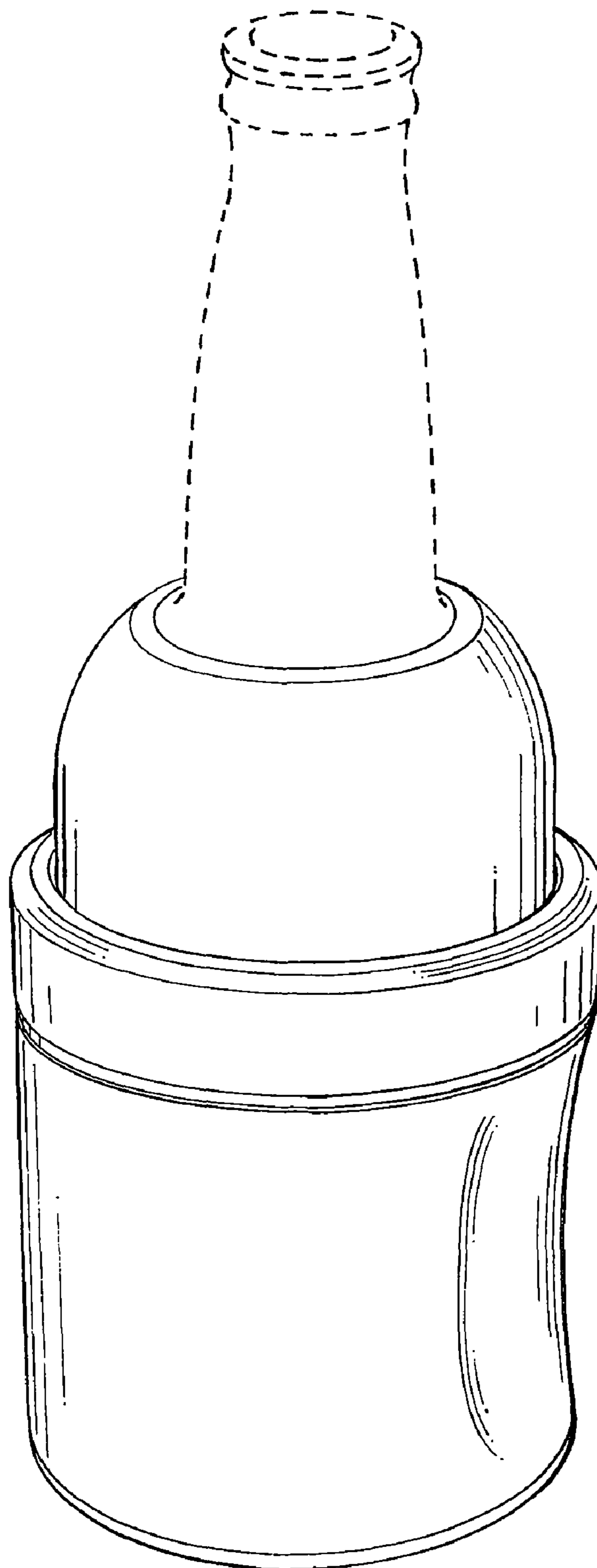


**FIG. 8**



**FIG. 9**





**FIG. 10**