



US00D663164S

(12) **United States Design Patent**  
**Taylor**

(10) **Patent No.:** **US D663,164 S**  
(45) **Date of Patent:** **\*\* Jul. 10, 2012**

- (54) **FOLDING-HANDLE CUP SUITABLE FOR USE OVER A HEATING ELEMENT**
  - (75) Inventor: **Derek William Taylor**, Cardiff (GB)
  - (73) Assignee: **BCB International Limited**, Cardiff (GB)
  - (\*\*) Term: **14 Years**
  - (21) Appl. No.: **29/385,477**
  - (22) Filed: **Feb. 15, 2011**
  - (51) **LOC (9) Cl.** ..... **07-01**
  - (52) **U.S. Cl.** ..... **D7/512; D7/536**
  - (58) **Field of Classification Search** ..... D7/512, D7/533, 536, 509, 523; 220/495.08, 772, 220/763; D9/431, 424
- See application file for complete search history.

- 6,308,379 B1 \* 10/2001 Hendrickson et al. .... 220/669
- D567,586 S \* 4/2008 Brown ..... D7/509
- D602,740 S \* 10/2009 Urquiola ..... D7/509
- D646,160 S \* 10/2011 Shiffer et al. .... D9/428

**OTHER PUBLICATIONS**

Black Crusader Cup, product description, BCB International Military Survival Equipment and Relief Catalogue, pp. 50-51, 2003.  
Mug photos—Applicants own admitted prior art corresponding to what is shown in the above referenced catalog.

\* cited by examiner

*Primary Examiner* — Marianne Pandozzi

(74) *Attorney, Agent, or Firm* — Gordon & Jacobson, PC

(57) **CLAIM**

The ornamental design for a folding-handle cup suitable for use over a heating element, as shown and described.

**DESCRIPTION**

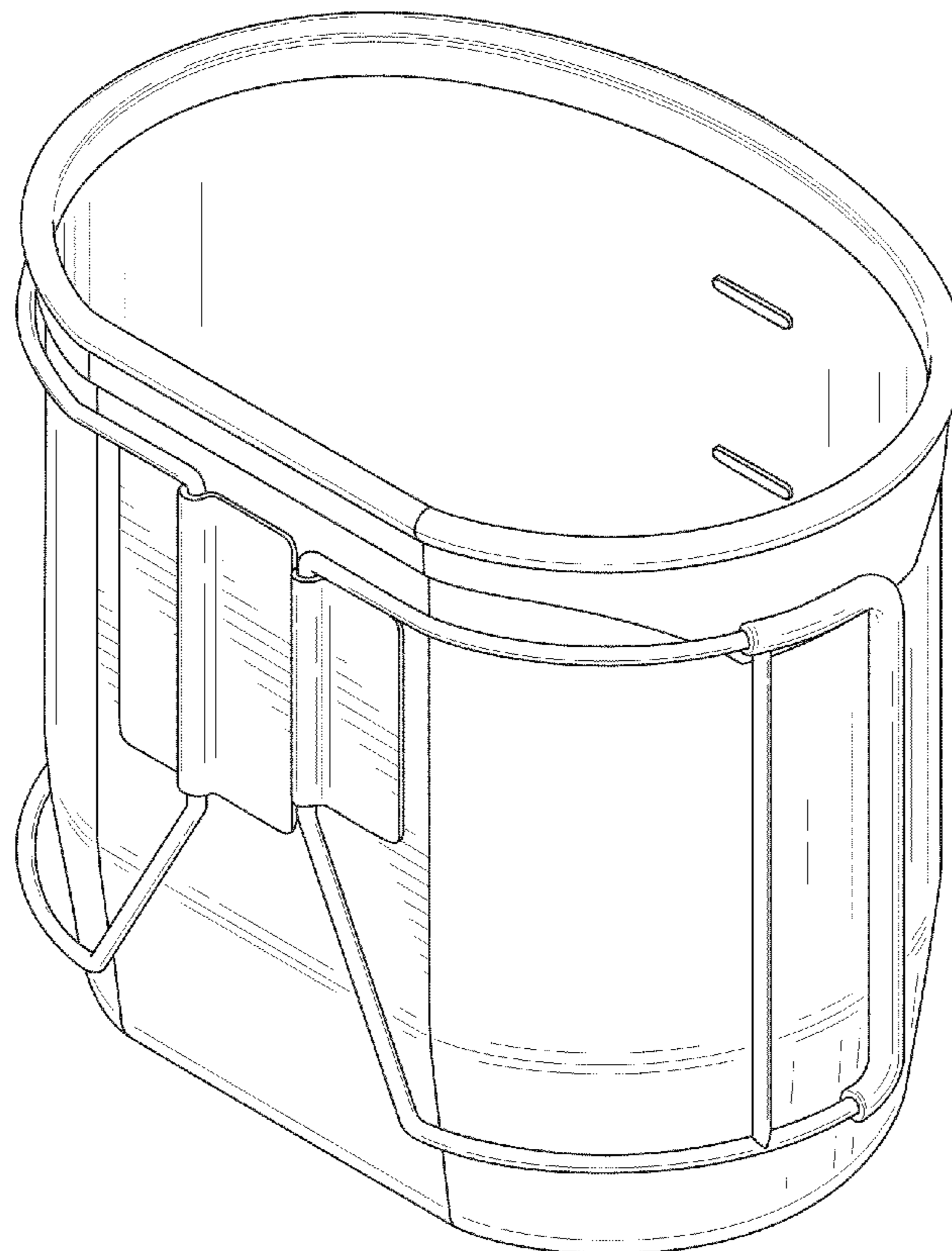
FIG. 1 is a top perspective view;  
FIG. 2 is a bottom perspective view;  
FIG. 3 is a rear view;  
FIG. 4 is a front view;  
FIG. 5 is a right side view;  
FIG. 6 is a left side view;  
FIG. 7 is a top view; and,  
FIG. 8 is a bottom view.

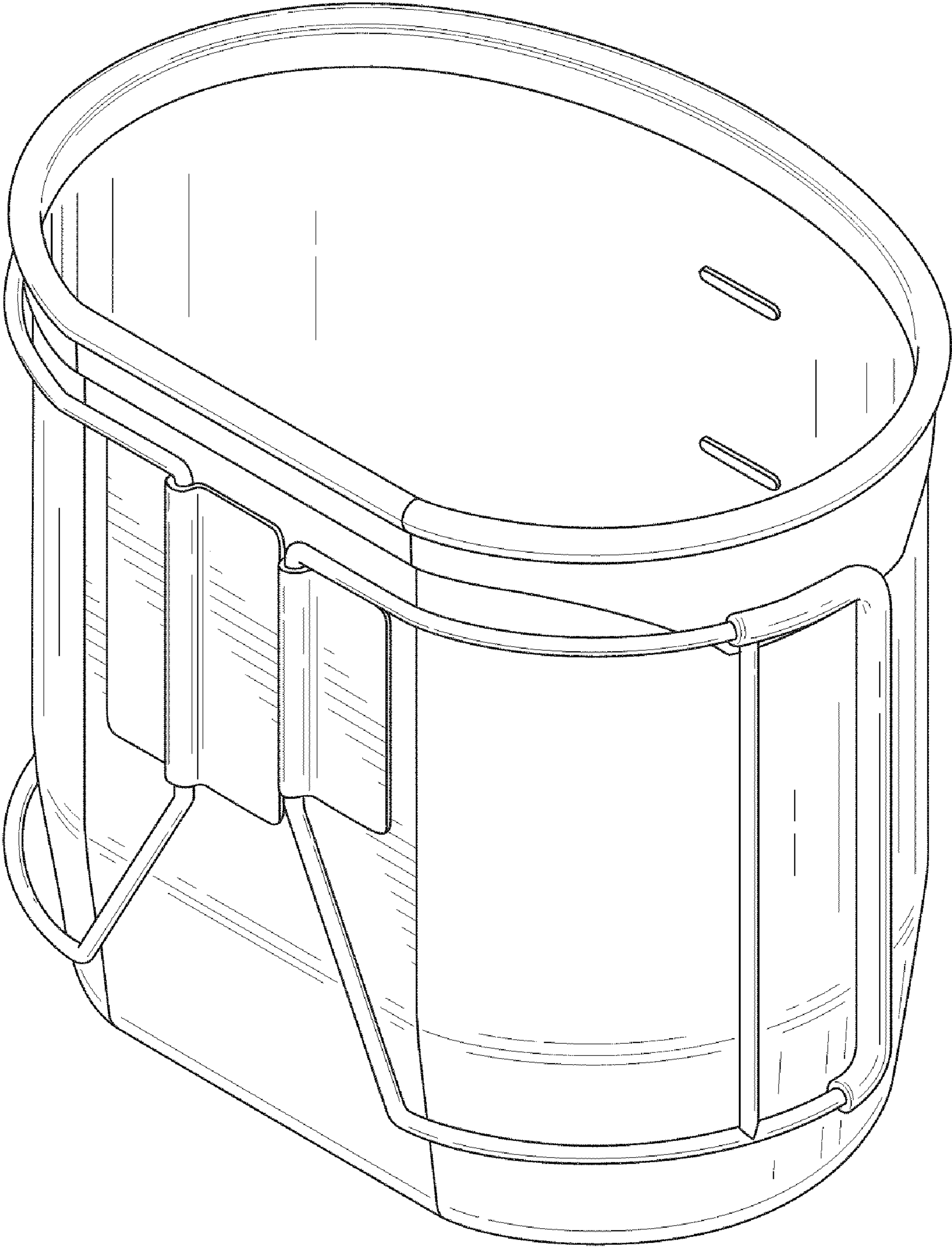
**1 Claim, 8 Drawing Sheets**

(56) **References Cited**

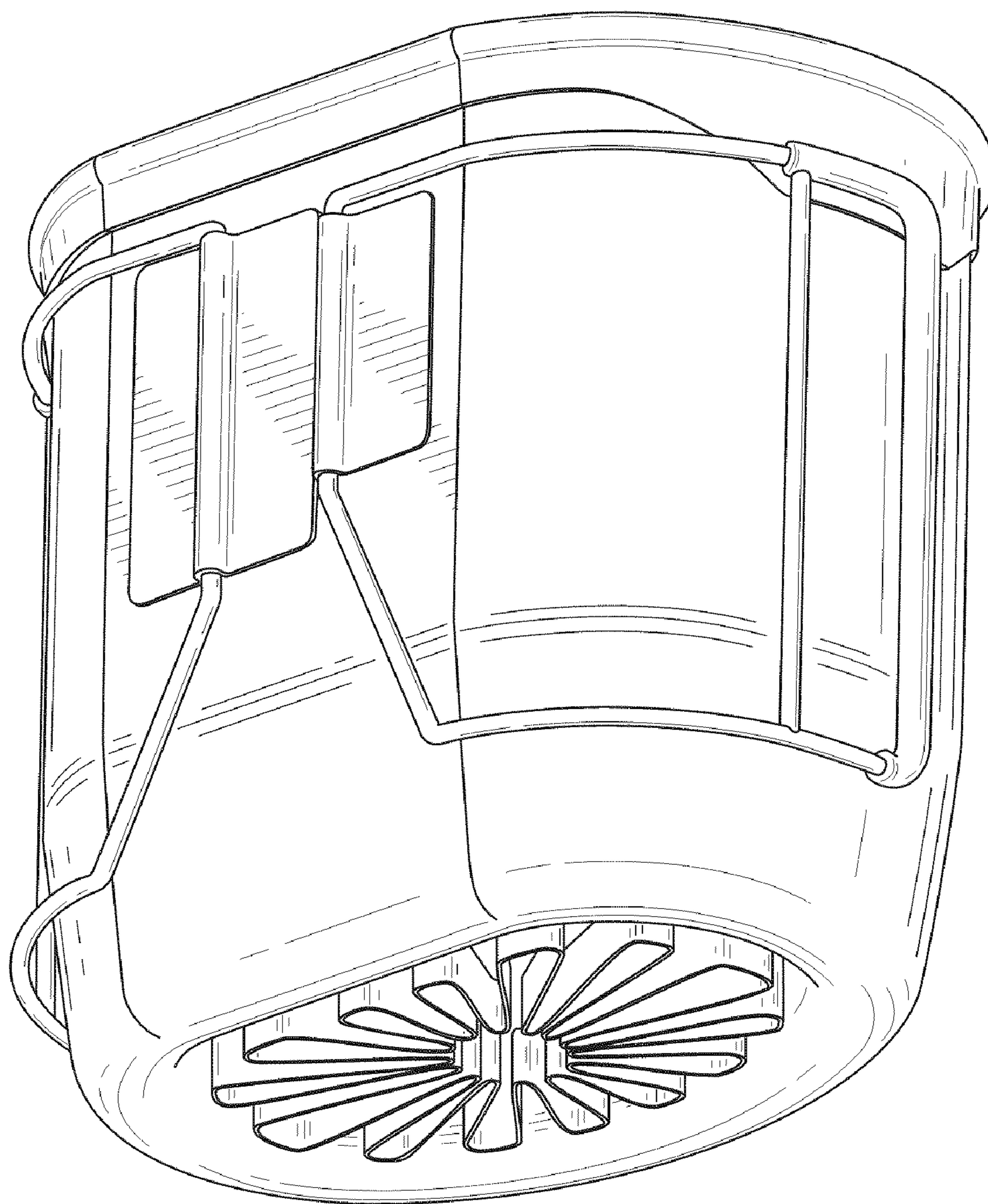
**U.S. PATENT DOCUMENTS**

- 2,373,917 A \* 4/1945 Ross ..... 215/228
- 2,444,447 A \* 7/1948 Winsor ..... 220/763
- 3,813,003 A \* 5/1974 Bernazzani ..... 220/772
- 4,505,390 A \* 3/1985 Kirk, Jr. .... 206/547
- D312,968 S \* 12/1990 Wolff ..... D9/431
- D350,425 S \* 9/1994 Walker ..... D32/53.1
- D382,446 S \* 8/1997 Bacon ..... D7/587
- D418,720 S \* 1/2000 Lillelund et al. .... D7/602
- 6,279,788 B1 \* 8/2001 Lillelund et al. .... 222/481





**FIG. 1**



**FIG. 2**

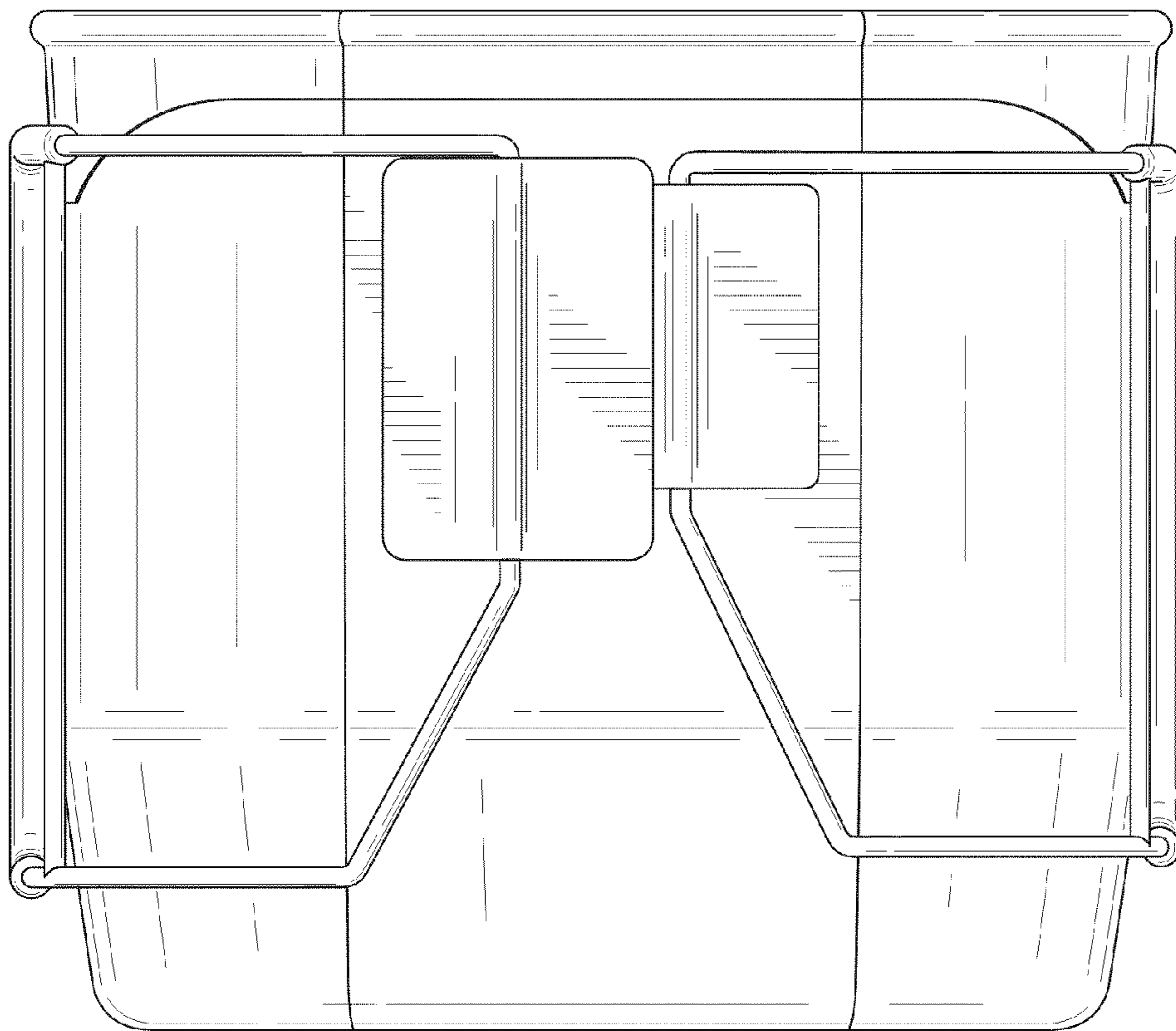


FIG. 3

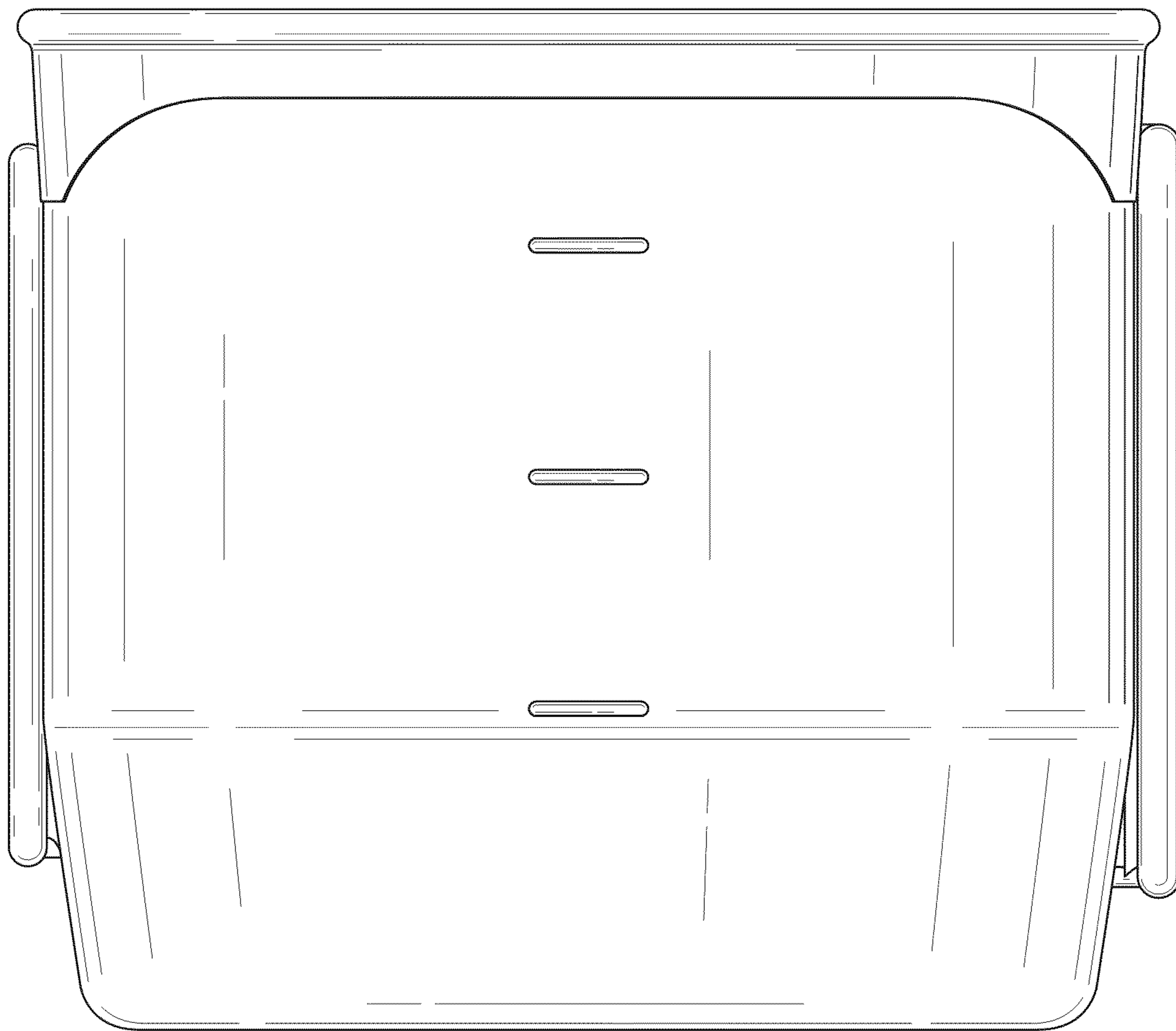
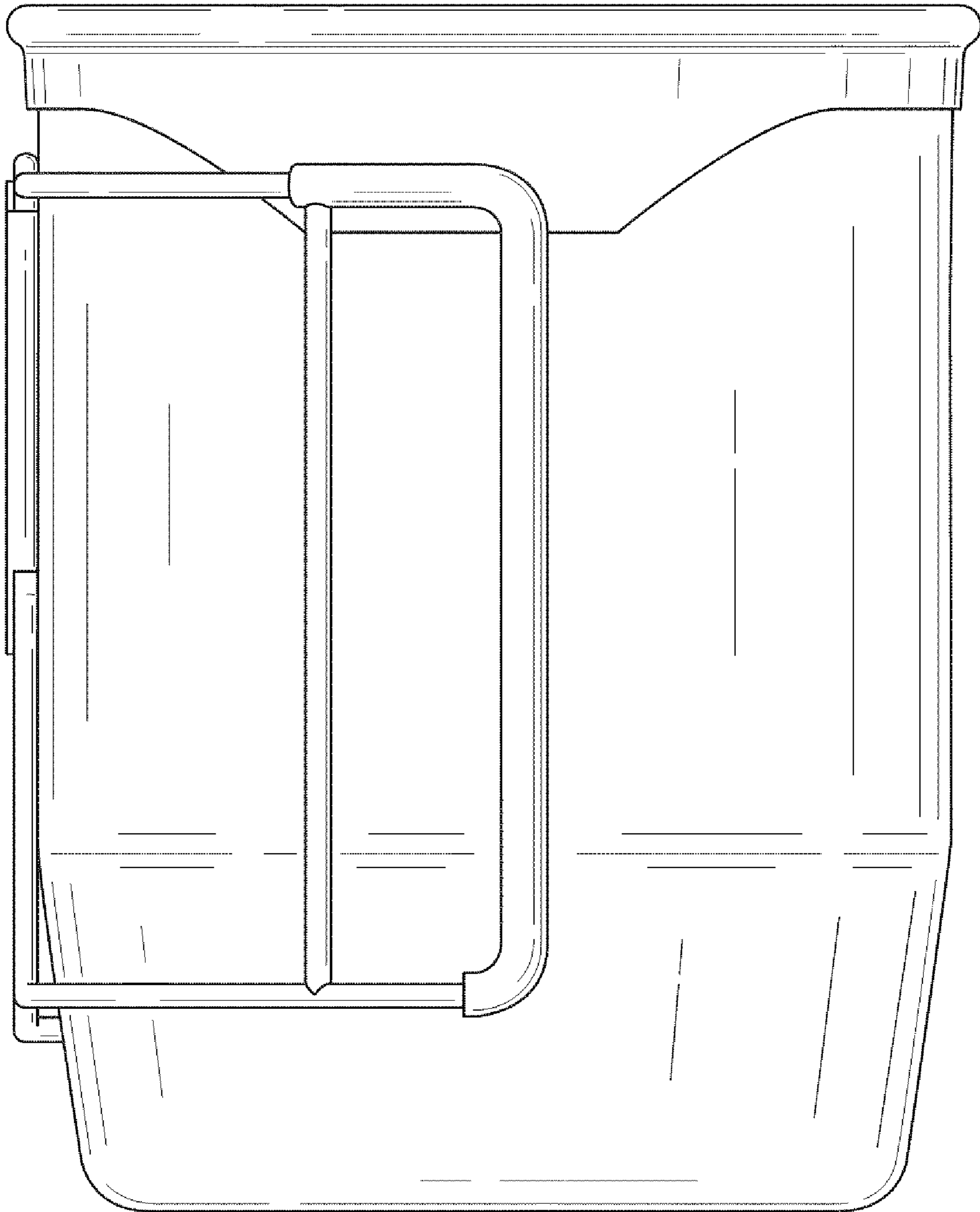
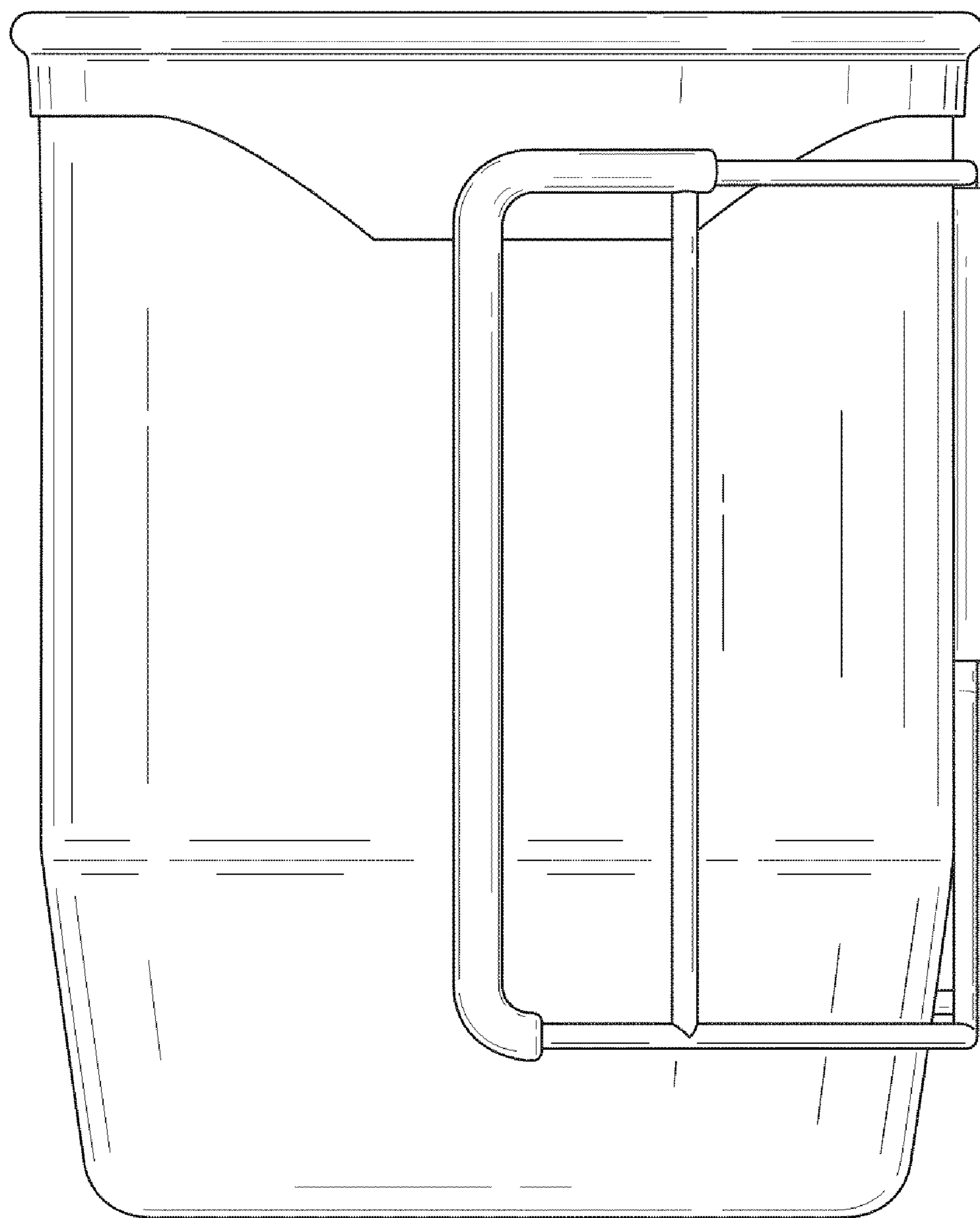


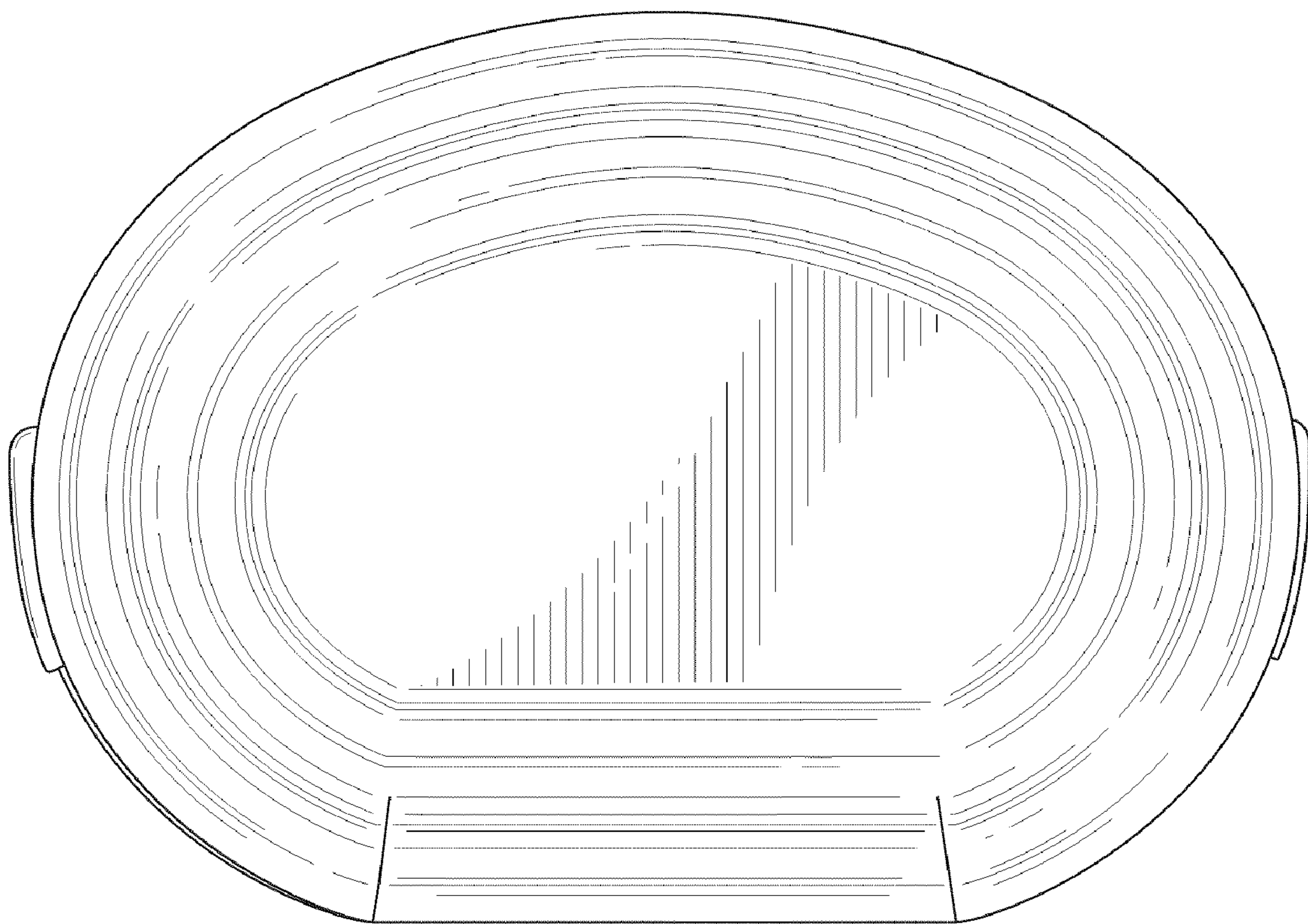
FIG. 4



**FIG. 5**

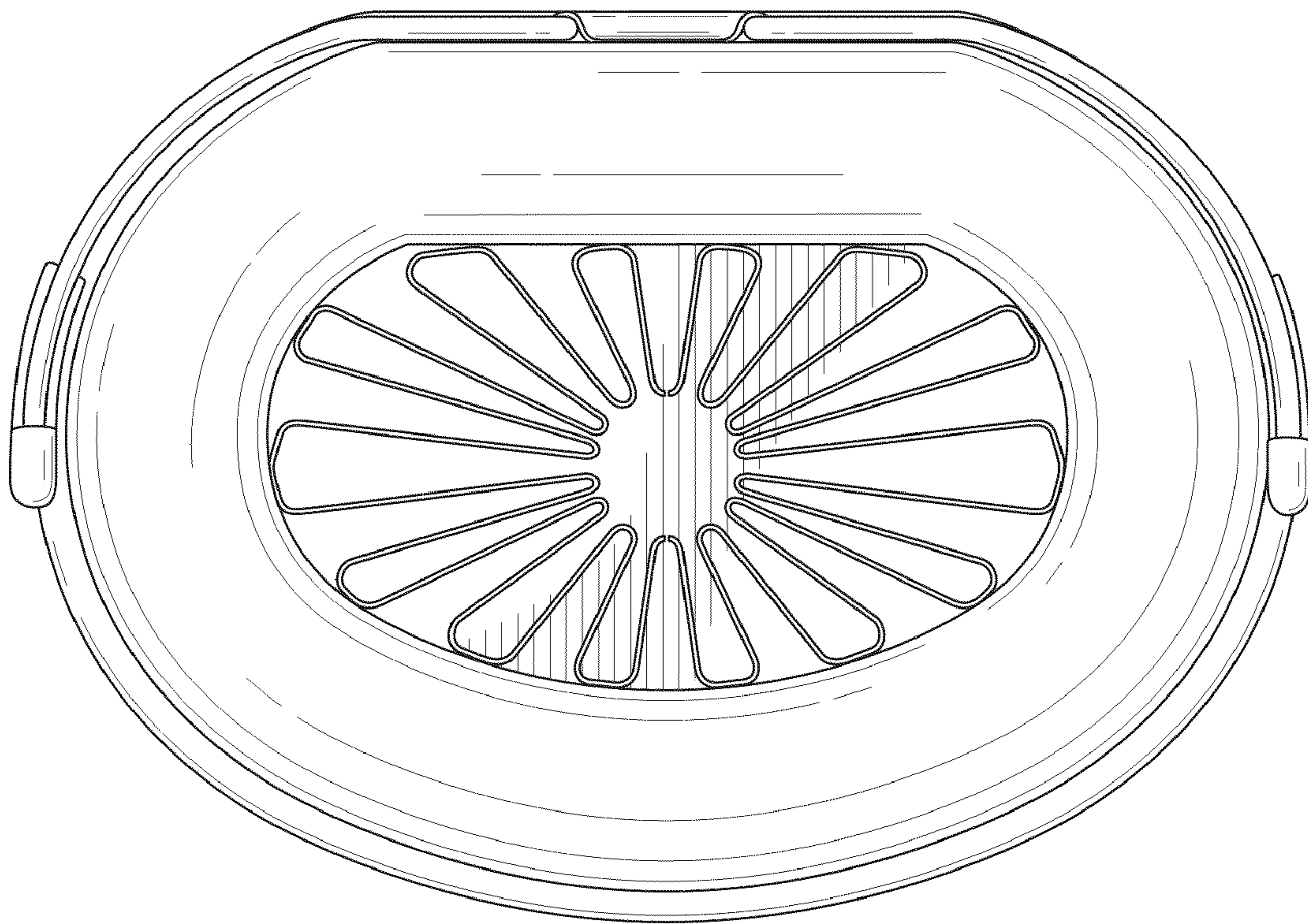


**FIG. 6**



**FIG. 7**





**FIG. 8**