

US00D663159S

(12) **United States Design Patent**
Zemel

(10) **Patent No.:** **US D663,159 S**
(45) **Date of Patent:** **** Jul. 10, 2012**

(54) **UTENSIL HANDLE**
(75) Inventor: **Marc Zemel**, Melville, NY (US)
(73) Assignee: **Mr. BAR-B-Q-, Inc.**, Old Bethpage, NY (US)
(**) Term: **14 Years**
(21) Appl. No.: **29/394,748**
(22) Filed: **Jun. 21, 2011**
(51) **LOC (9) Cl.** **07-02**
(52) **U.S. Cl.** **D7/395**
(58) **Field of Classification Search** D7/354-361, D7/393-395, 401.2, 664, 688, 691, 692, 693; D8/107, 300, 303, 307, 313, 321; D4/138, D4/129; 16/421, 430, 431, 110.1, 407; 220/573.1-573.5, 752, 753, 755, 756, 759, 220/767, 771, 912
See application file for complete search history.

D528,857 S 9/2006 Zemel
D529,333 S 10/2006 Zemel
D529,335 S 10/2006 Zemel
D531,853 S 11/2006 Zemel
D533,397 S 12/2006 Zemel
D534,001 S 12/2006 Zemel
D535,147 S 1/2007 Zemel
D535,519 S 1/2007 Zemel
D544,750 S 6/2007 Zemel
D545,120 S 6/2007 Zemel
D545,121 S 6/2007 Zemel
D550,504 S 9/2007 Zemel
D562,062 S 2/2008 Zemel
D562,064 S 2/2008 Zemel

(Continued)

OTHER PUBLICATIONS

U.S. Appl. No. 29/397,851, filed Jul. 21, 2011, Marc Zemel.

(Continued)

Primary Examiner — Cynthia M Chin

(74) *Attorney, Agent, or Firm* — Carter, DeLuca, Farrell & Schmidt LLP

(56) **References Cited**

U.S. PATENT DOCUMENTS

D408,219 S * 4/1999 Lai D7/401.2
D424,869 S * 5/2000 Chau D7/395
D424,870 S * 5/2000 Thurlow D7/395
D427,858 S 7/2000 Zemel
D456,207 S 4/2002 Zemel
D456,615 S 5/2002 Zemel
D459,943 S * 7/2002 Richied et al. D7/395
D460,318 S * 7/2002 Richied et al. D7/395
D463,952 S 10/2002 Zemel
D464,528 S * 10/2002 Yu D7/395
D465,336 S 11/2002 Zemel
D468,156 S * 1/2003 Yu D7/395
D474,644 S 5/2003 Zemel
D476,525 S 7/2003 Zemel
D482,566 S 11/2003 Zemel
D482,569 S 11/2003 Zemel
D494,006 S 8/2004 Zemel
D494,807 S 8/2004 Zemel
D496,217 S * 9/2004 Sun D7/393
D496,558 S 9/2004 Zemel

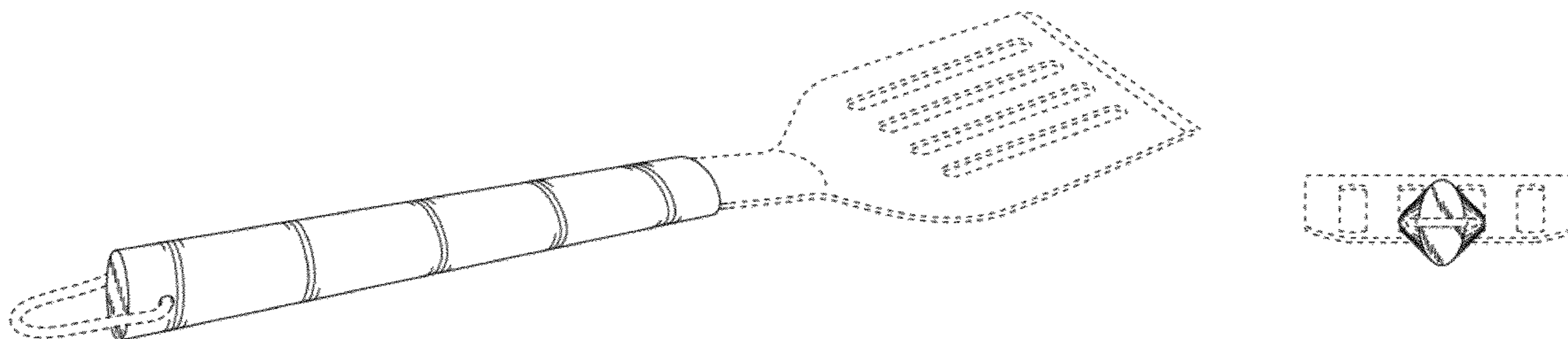
(57) **CLAIM**

The ornamental design for a utensil handle, as shown and described.

DESCRIPTION

FIG. 1 is a perspective view of a utensil handle in accordance with the present design;
FIG. 2 is a right side elevational view thereof, the other side being a mirror image thereof;
FIG. 3 is a top plan view thereof;
FIG. 4 is a bottom view thereof;
FIG. 5 is a front elevational view thereof; and,
FIG. 6 is a rear elevational view thereof.
The broken lines shown are included for the purpose of illustrating a portion of the utensil handle that forms no part of the claimed design.

1 Claim, 4 Drawing Sheets



US D663,159 S

Page 2

U.S. PATENT DOCUMENTS

D563,675 S 3/2008 Zemel
D564,292 S 3/2008 Zemel
D566,460 S 4/2008 Zemel
D569,174 S 5/2008 Zemel
D572,079 S 7/2008 Zemel
D572,080 S 7/2008 Zemel
D574,184 S 8/2008 Zemel
D579,269 S 10/2008 Zemel
D579,668 S 11/2008 Zemel
D580,659 S 11/2008 Zemel
D588,868 S 3/2009 Zemel

D618,499 S 6/2010 Zemel
D622,542 S 8/2010 Zemel
D624,264 S * 9/2010 Li D32/51
D650,219 S * 12/2011 Lu D7/401.2

OTHER PUBLICATIONS

U.S. Appl. No. 29/401,580, filed Sep. 13, 2011, Marc Zemel.

U.S. Appl. No. 29/396,910, filed Jul. 8, 2011, Marc Zemel.

U.S. Appl. No. 29/398,654, filed Aug. 3, 2011, Marc Zemel.

* cited by examiner

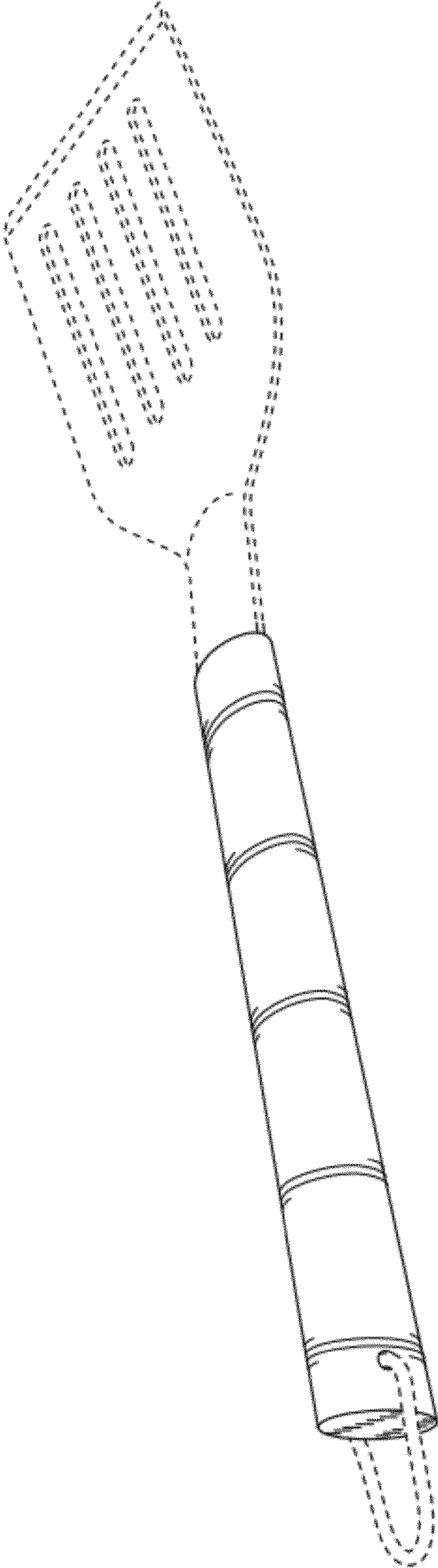


FIG. 1

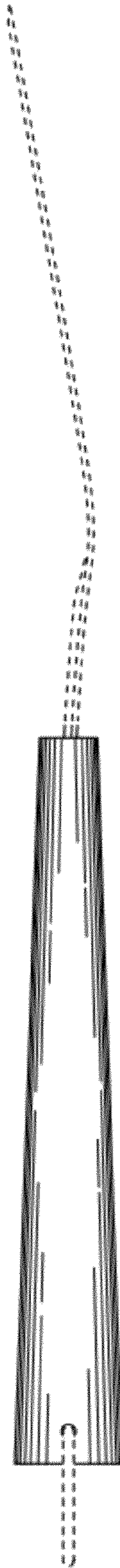


FIG. 2

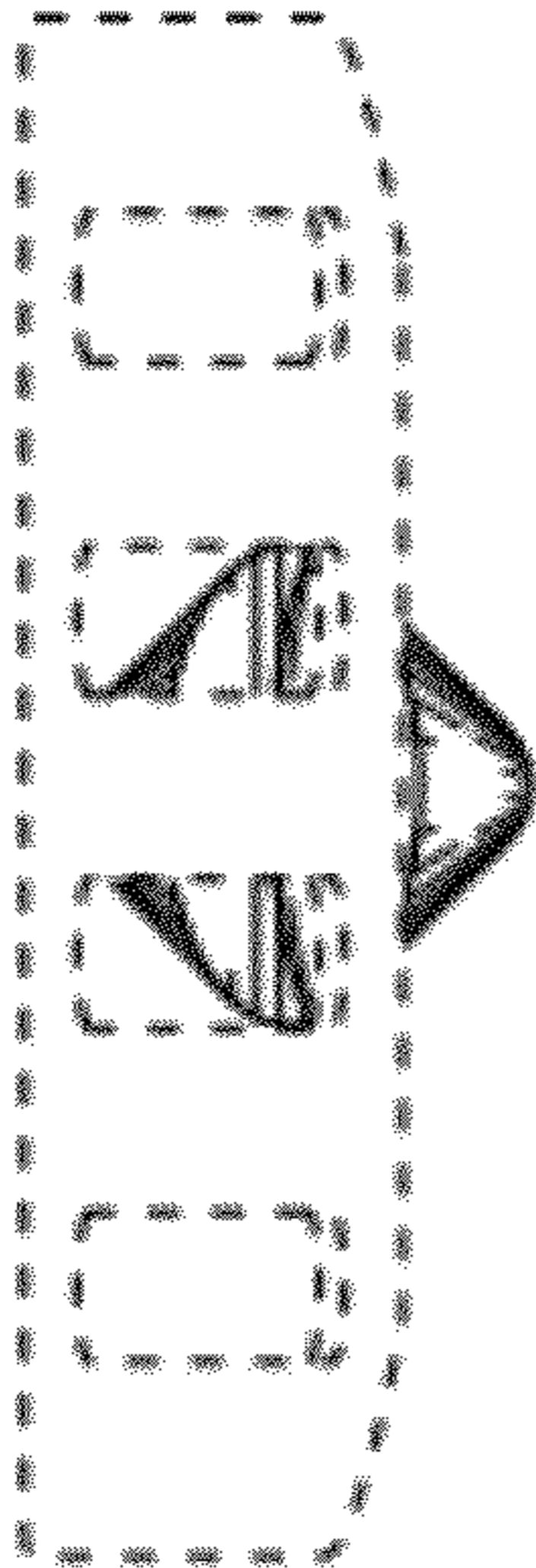


FIG. 3

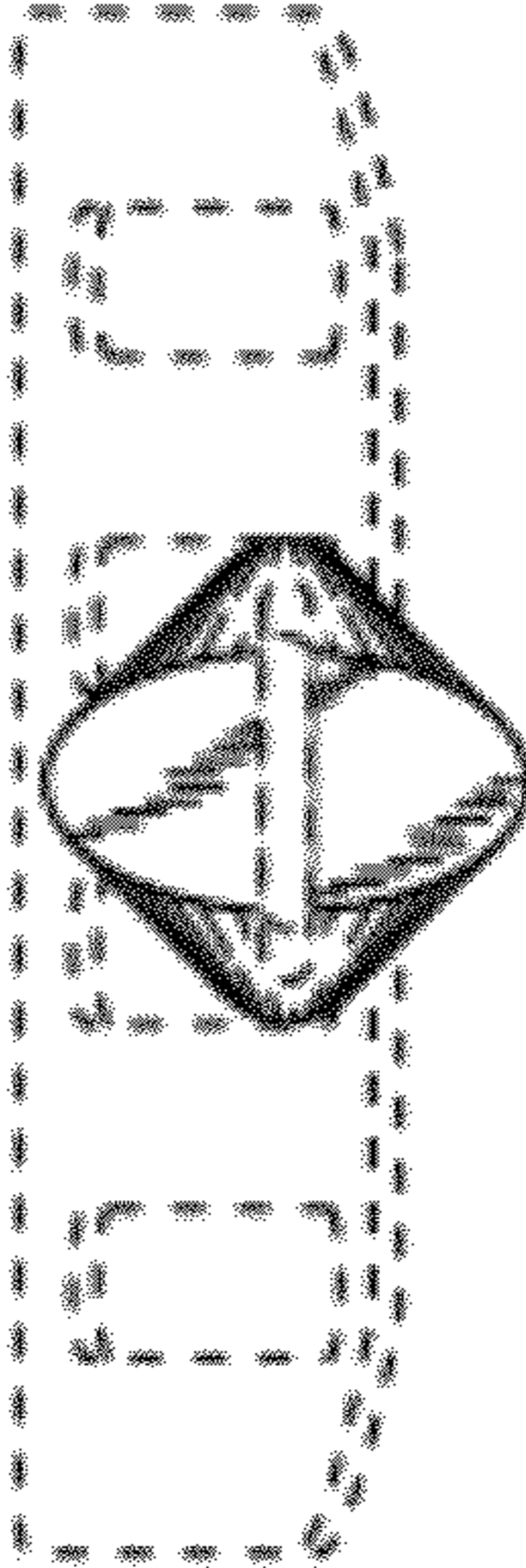


FIG. 4

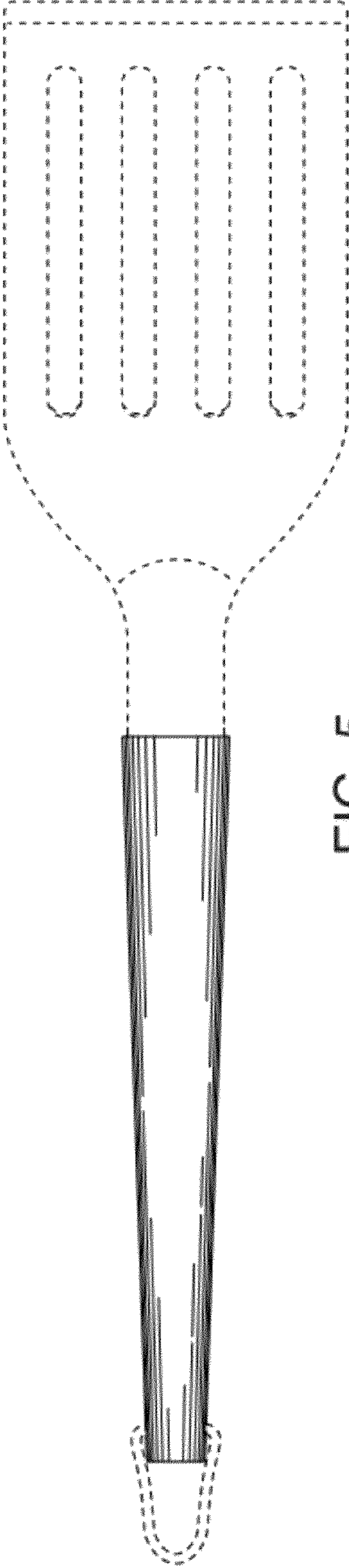


FIG. 5

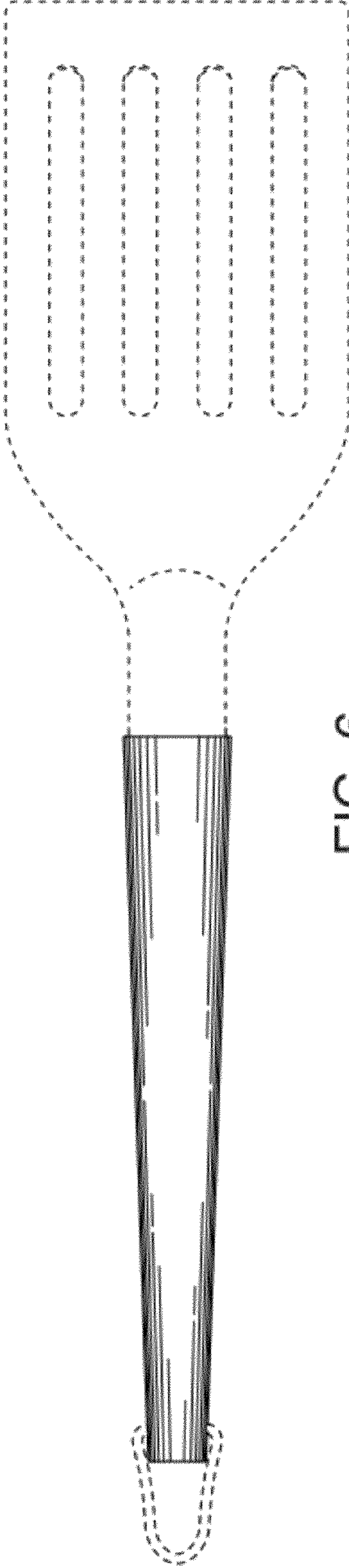


FIG. 6