



US00D663155S

(12) **United States Design Patent**
Bodum

(10) **Patent No.:** **US D663,155 S**
(45) **Date of Patent:** **** Jul. 10, 2012**

(54) **BEVERAGE MAKER**

(75) Inventor: **Jørgen Bodum**, Meggen (CH)

(73) Assignee: **PI-Design AG**, Triengen (CH)

(**) Term: **14 Years**

(21) Appl. No.: **29/386,736**

(22) Filed: **Mar. 4, 2011**

(30) **Foreign Application Priority Data**

Sep. 28, 2010 (WO) DM/074 459

(51) **LOC (9) Cl.** **07-01**

(52) **U.S. Cl.** **D7/319; D7/317**

(58) **Field of Classification Search** D7/300,
D7/322, 312, 321, 316-319; D23/212; 222/571,
222/465.1; 210/238; 220/298; 99/302 P,
99/322, 295, 317

See application file for complete search history.

(56) **References Cited**

U.S. PATENT DOCUMENTS

D542,078 S *	5/2007	Bodum	D7/319
D560,951 S *	2/2008	Appleton	D7/317
D566,454 S *	4/2008	Bodum	D7/319
D568,667 S *	5/2008	Appleton	D7/319
D584,559 S *	1/2009	Bodum	D7/319
D587,059 S *	2/2009	Bodum	D7/319

D594,267 S *	6/2009	Bodum	D7/319
D596,891 S *	7/2009	Bodum	D7/319
D603,647 S	11/2009	Bodum	
D610,860 S *	3/2010	Bodum	D7/319
D622,090 S *	8/2010	Bodum	D7/317
D645,290 S *	9/2011	Bodum	D7/319

OTHER PUBLICATIONS

Extract from Bodum catalogue 2010, p. 40 (published in Jan. 2010).

* cited by examiner

Primary Examiner — Marianne Pandozzi

(74) *Attorney, Agent, or Firm* — Sughrue Mion, PLLC

(57) **CLAIM**

The ornamental design for a beverage maker, as shown and described.

DESCRIPTION

FIG. 1 is a perspective view of the beverage maker showing my new design;

FIG. 2 is a right side elevation view thereof;

FIG. 3 is a left side elevation view thereof;

FIG. 4 is a front elevation view thereof;

FIG. 5 is a back elevation view thereof;

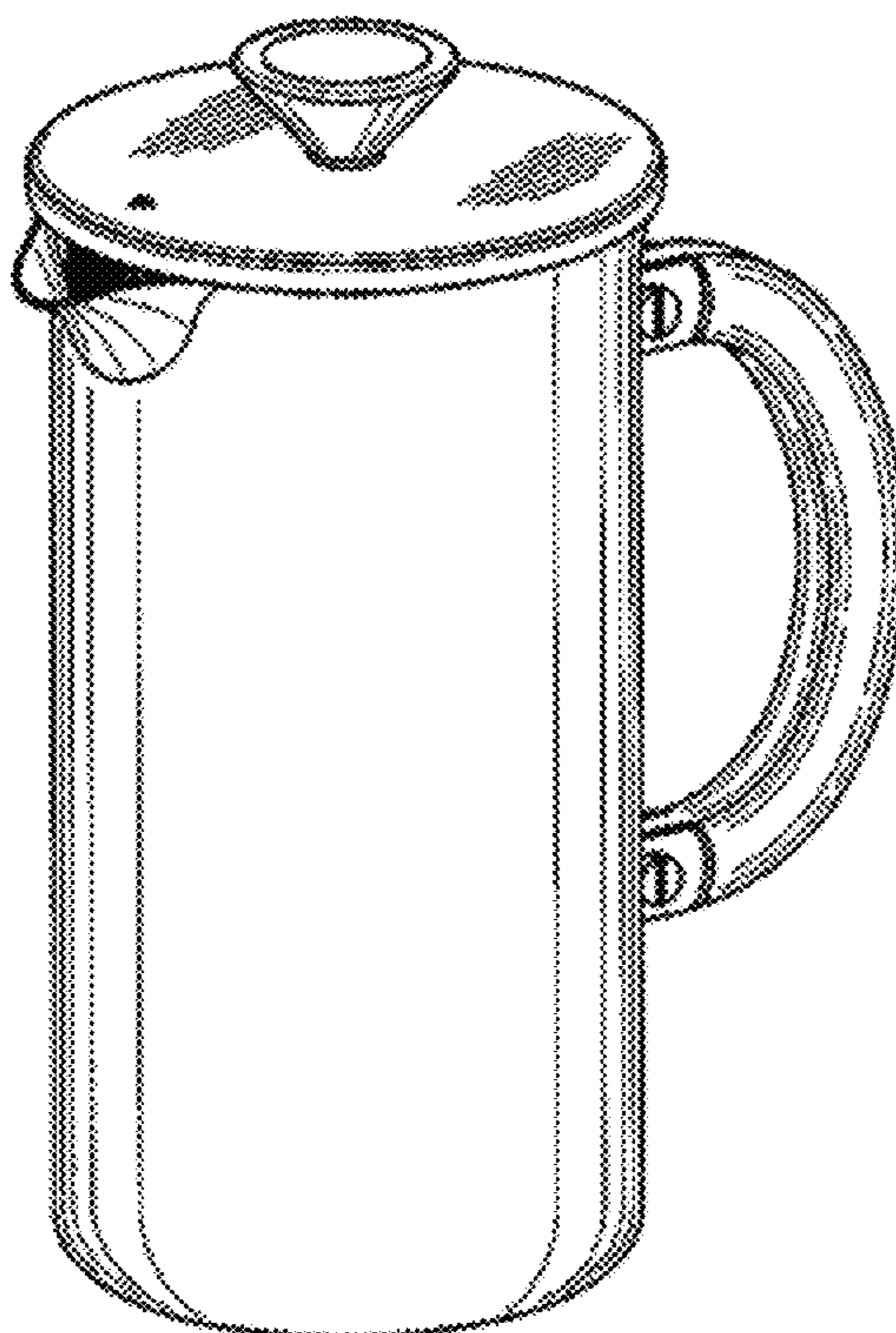
FIG. 6 is a top view thereof;

FIG. 7 is a bottom view thereof;

FIG. 8 is a sectional view thereof taken along line 8-8 in FIG. 6; and,

FIG. 9 is an exploded perspective view thereof.

1 Claim, 9 Drawing Sheets



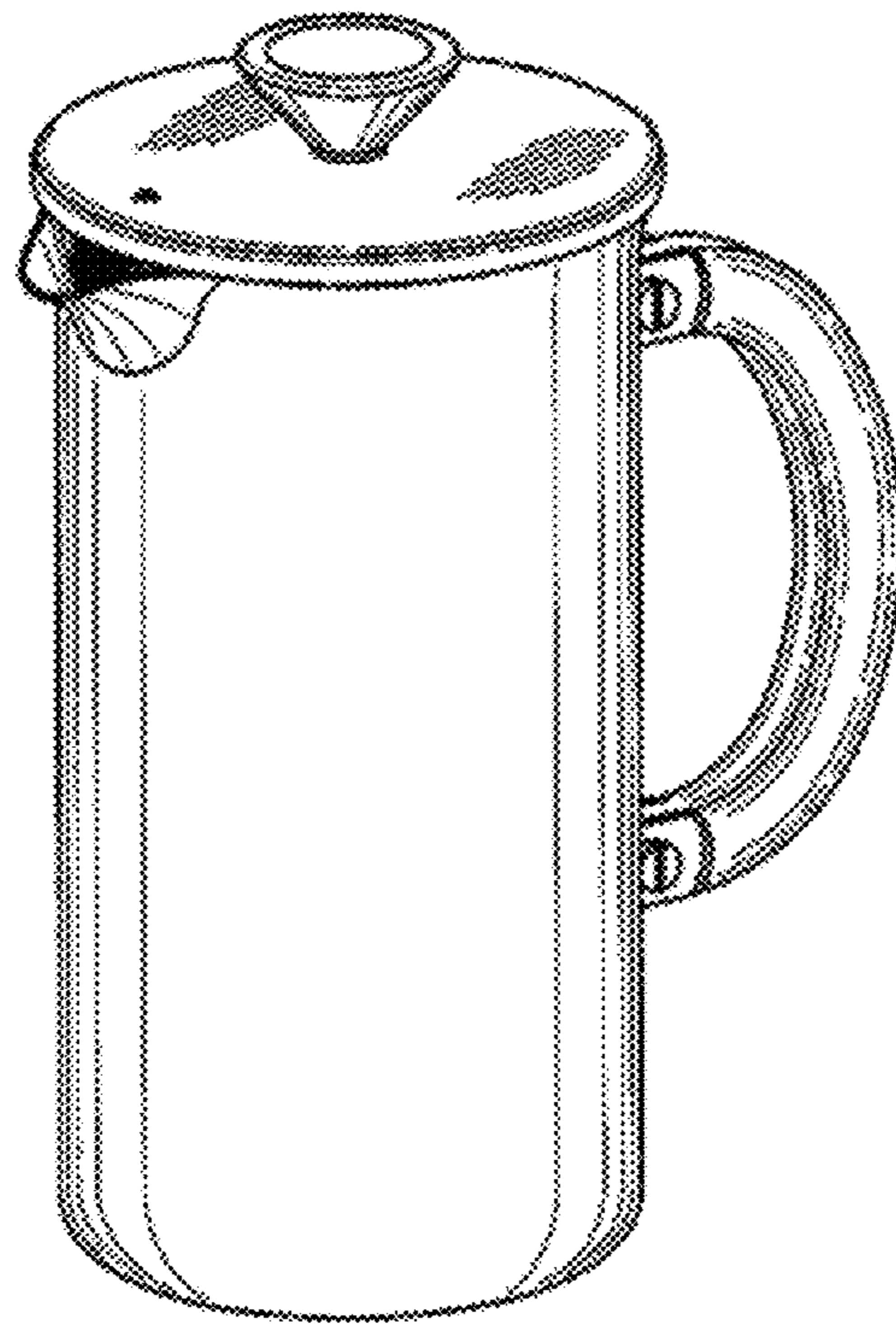


FIG. 1

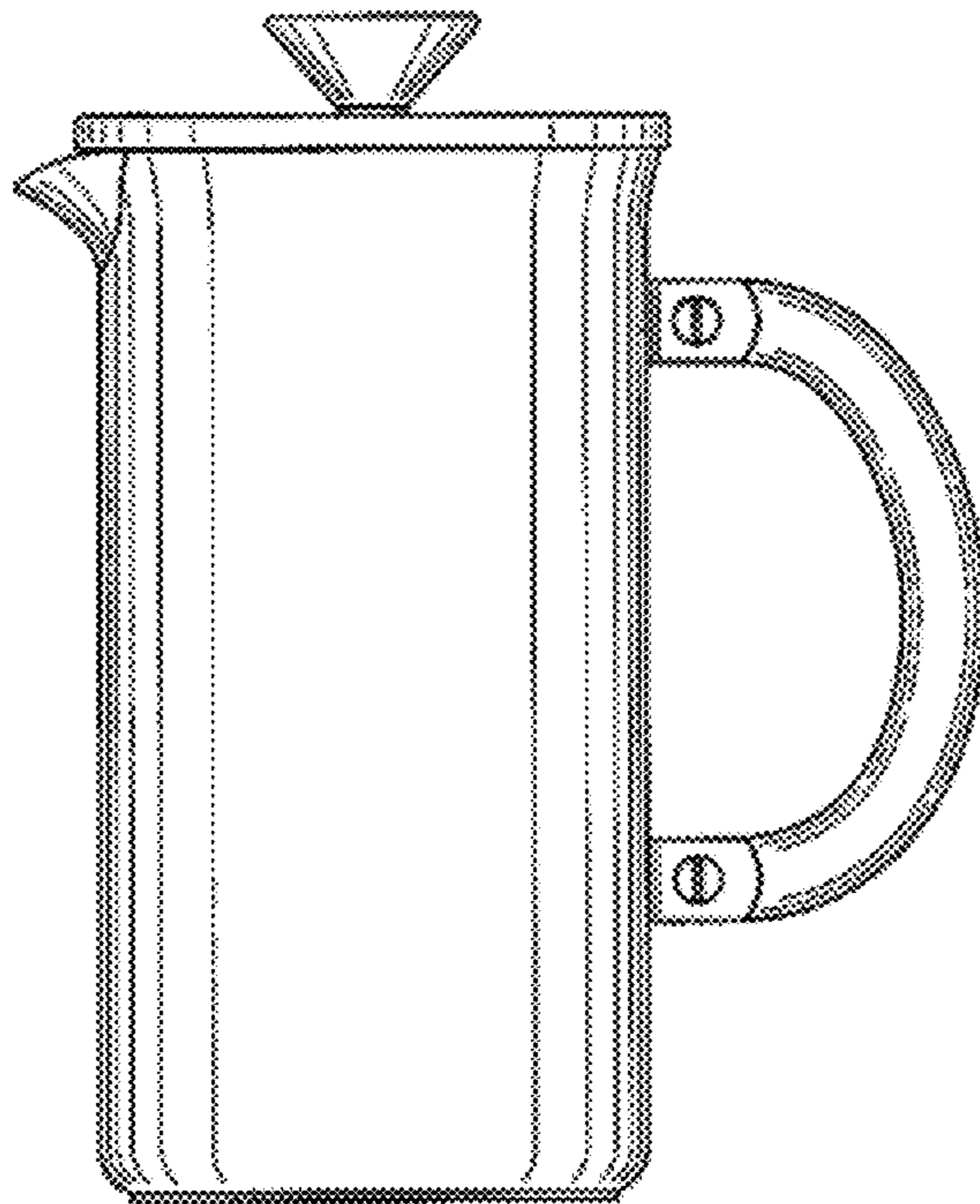


FIG. 2

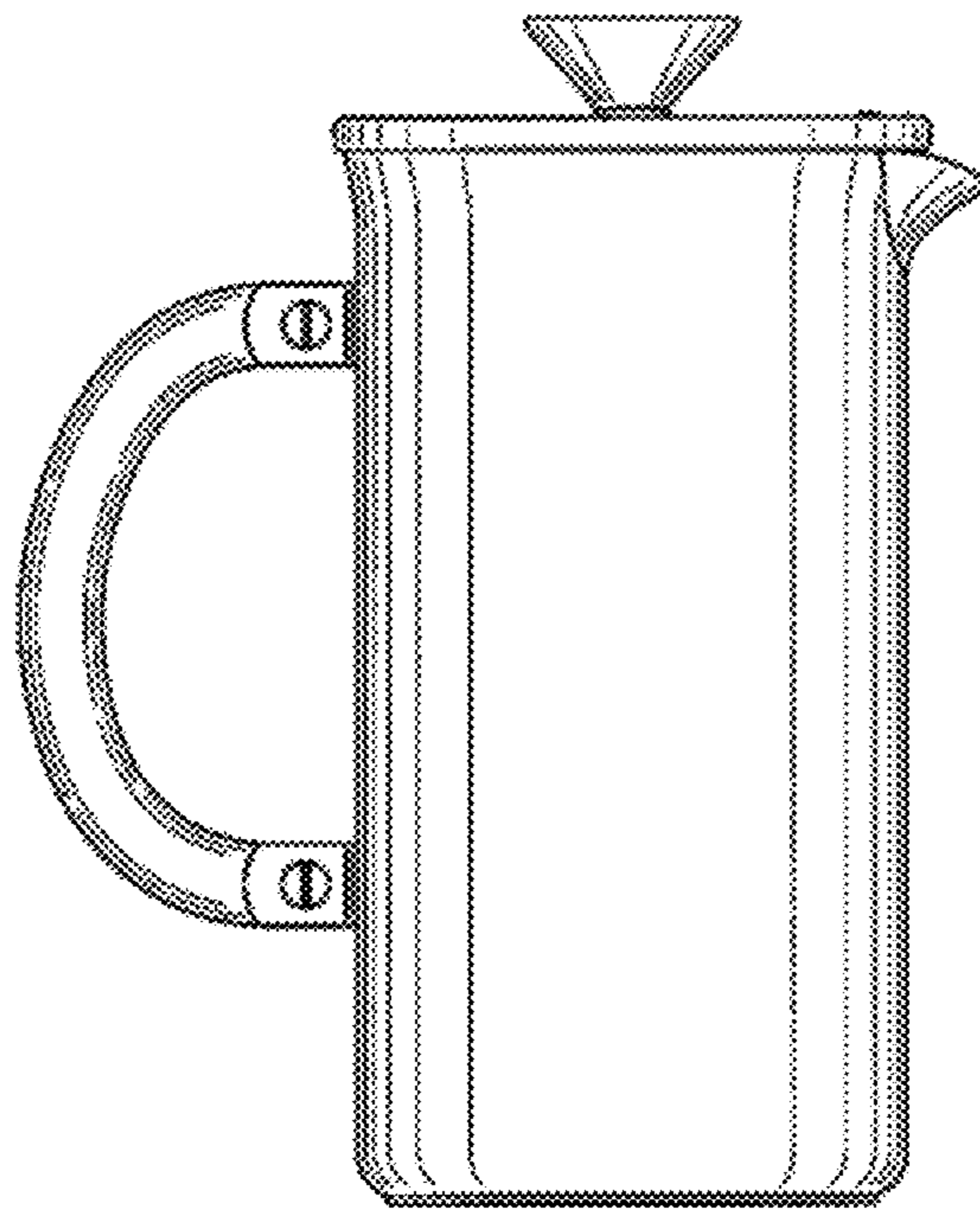


FIG. 3

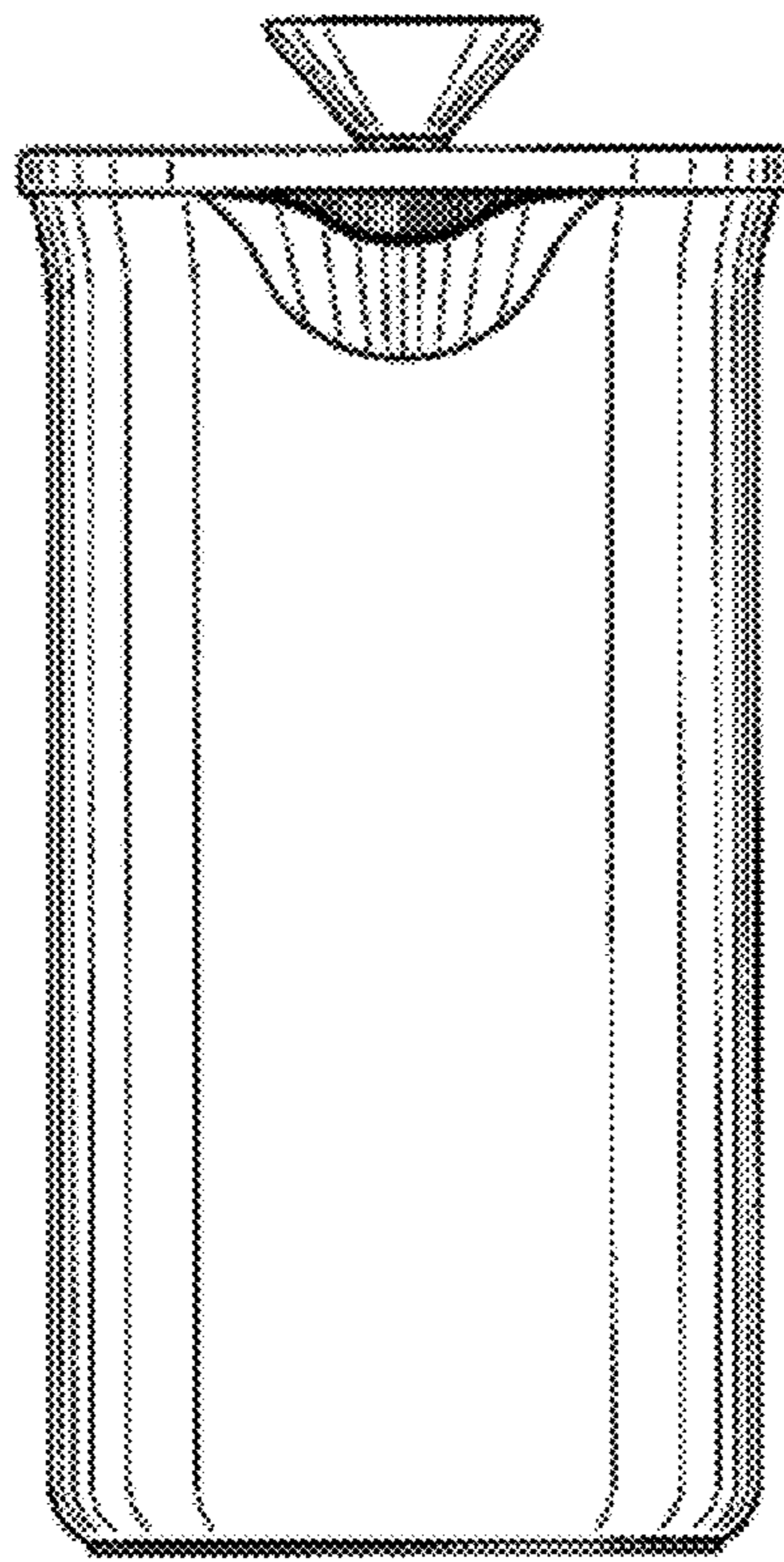


FIG. 4

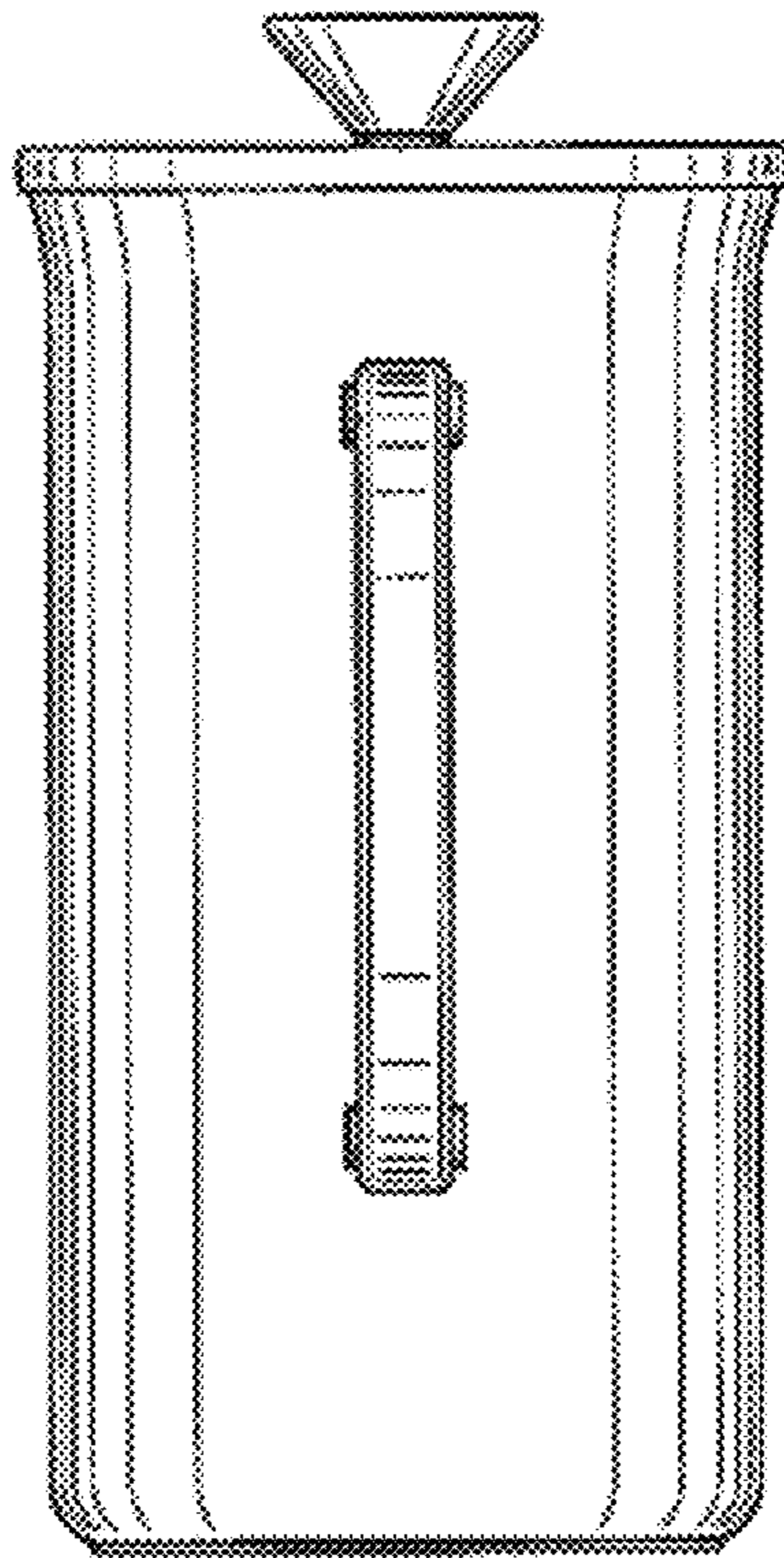


FIG. 5

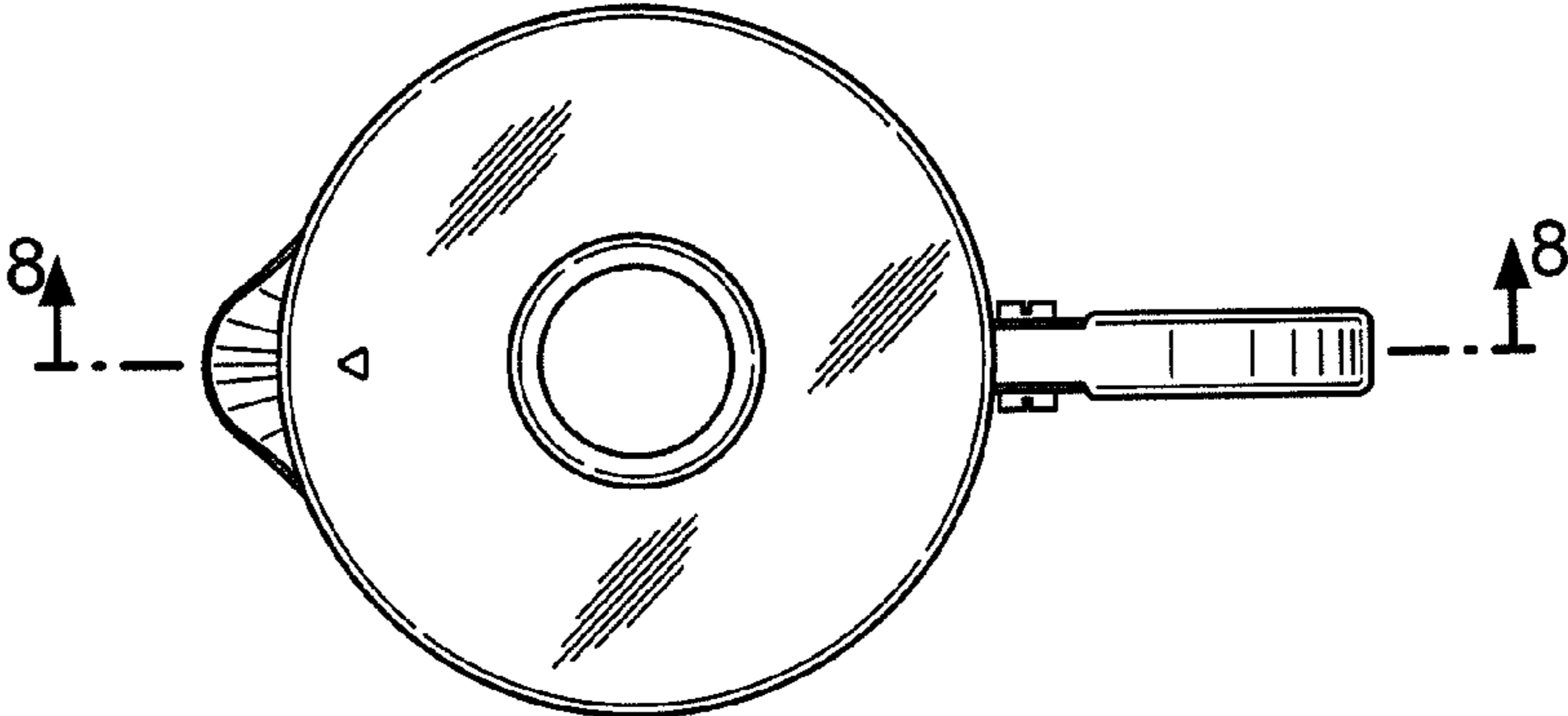


FIGURE 6

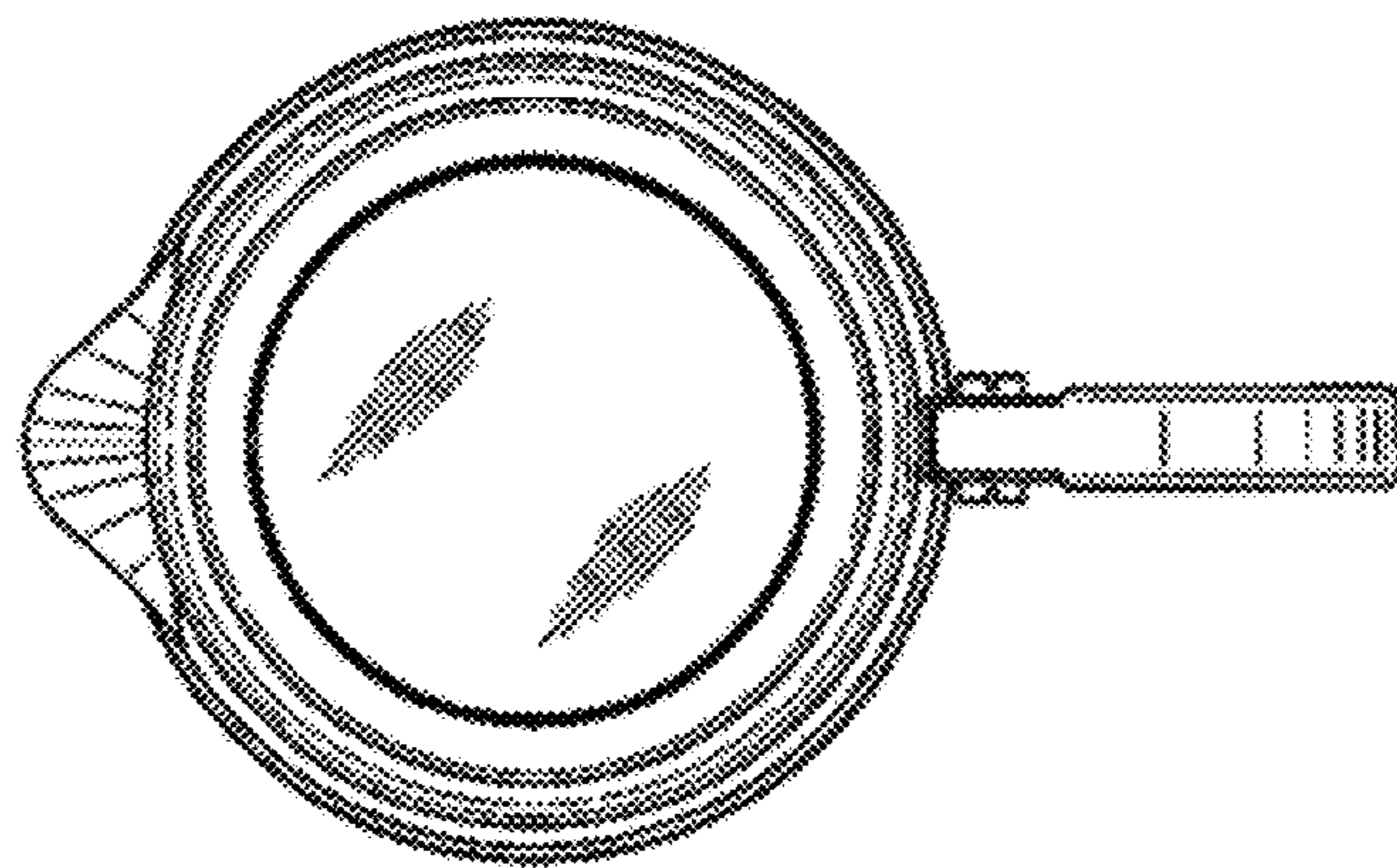


FIG. 7

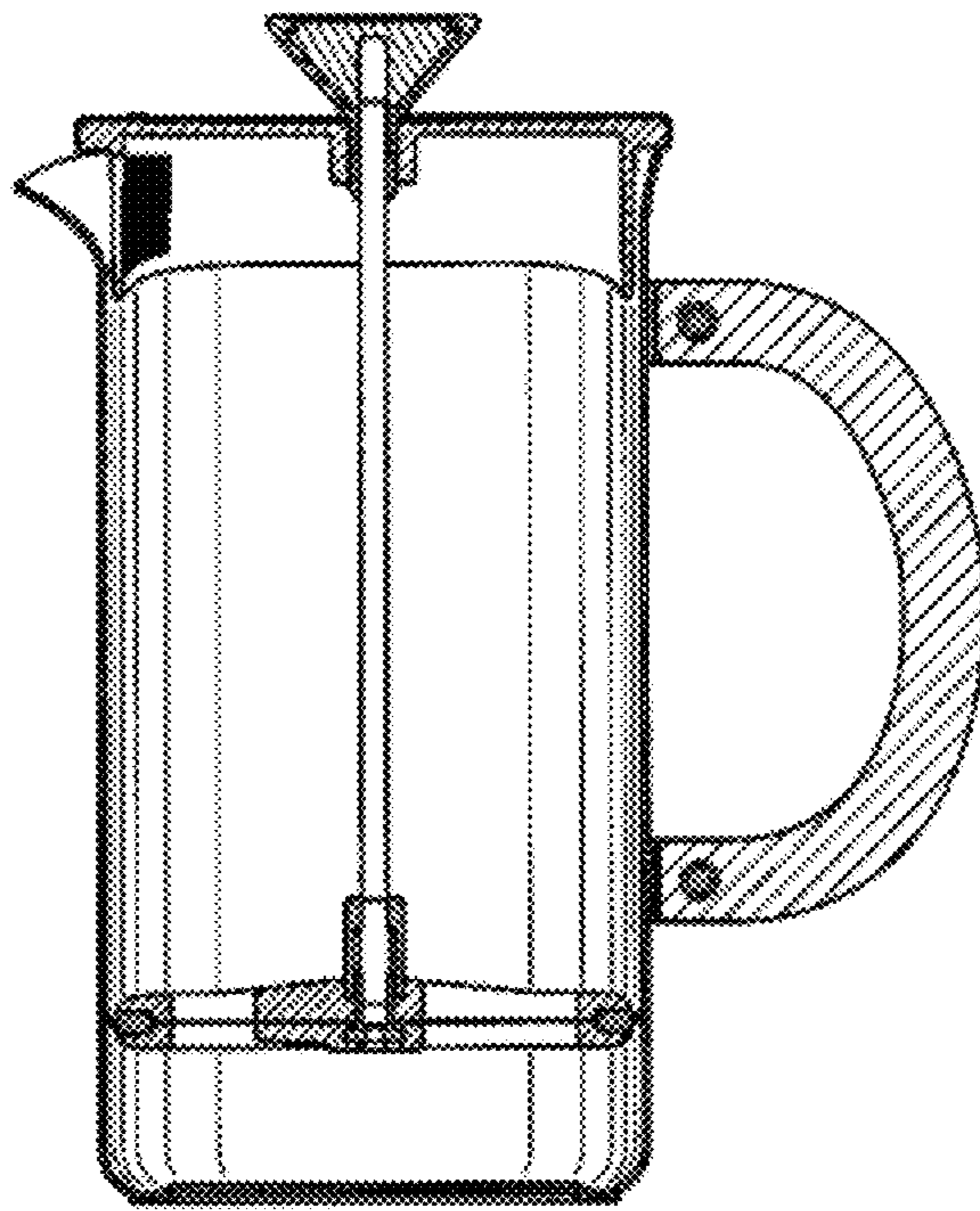


FIG. 8

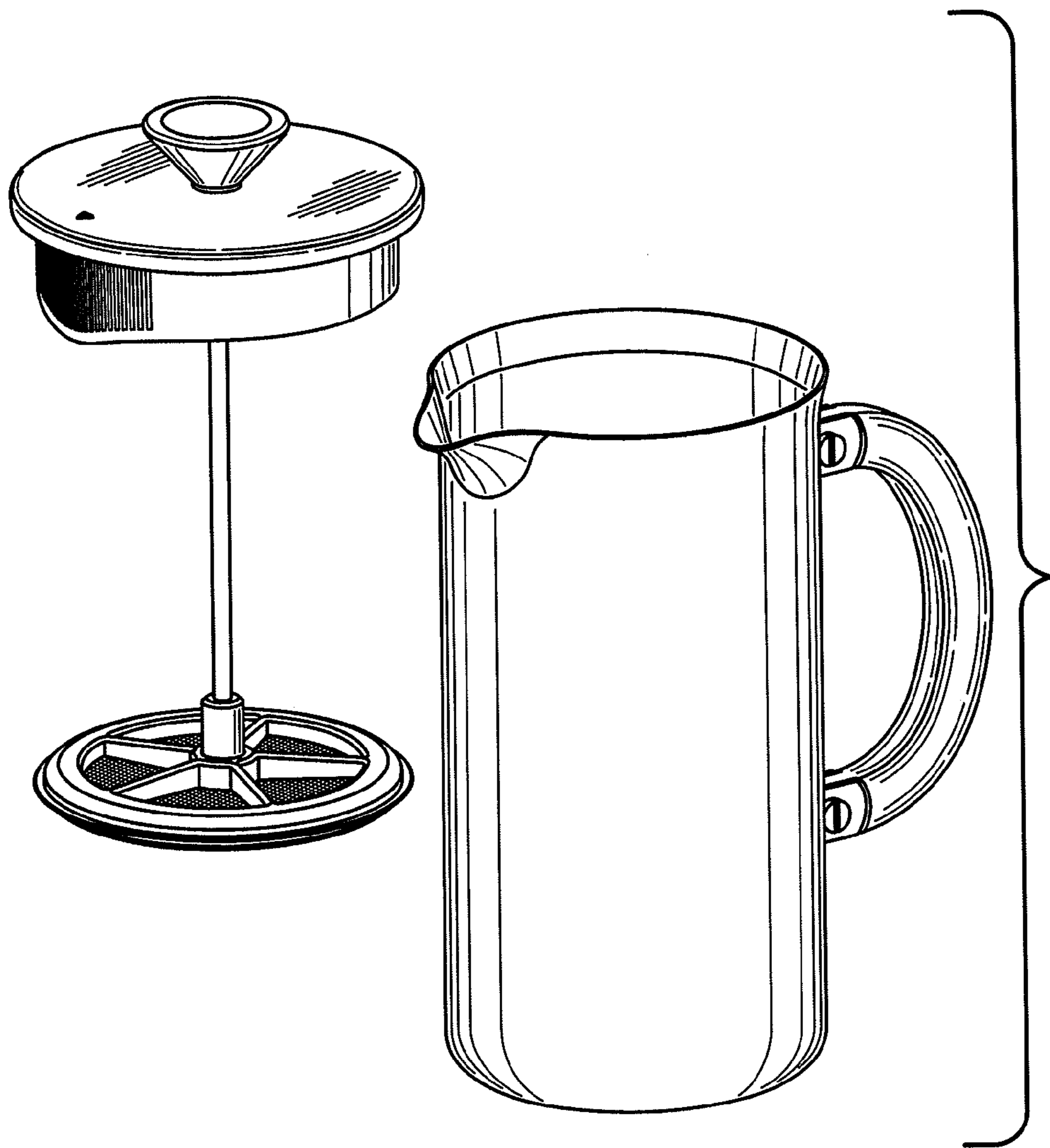


FIGURE 9