

US00D663153S

(12) **United States Design Patent**
Kenkelen et al.

(10) **Patent No.:** **US D663,153 S**
(45) **Date of Patent:** **** Jul. 10, 2012**

(54) **CAR SEAT COVER**

(76) Inventors: **George D. Kenkelen**, Encinitas, CA
(US); **Ronald Keenan Jacobsen**, San
Luis Obispo, CA (US)

(**) Term: **14 Years**

(21) Appl. No.: **29/406,844**

(22) Filed: **Nov. 18, 2011**

(51) **LOC (9) Cl.** **06-13**

(52) **U.S. Cl.** **D6/611**

(58) **Field of Classification Search** D6/610,
D6/611, 445, 490, 596, 601, 602, 603, 615,
D6/617, 621; D12/401-405; 135/87, 88.01,
135/95; 150/165-167, 158, 154; 280/770;
296/136.1, 136.01, 136.11; D7/306, 307;
297/218.1-218.5, 219.1-229; D23/354
See application file for complete search history.

(56) **References Cited**

U.S. PATENT DOCUMENTS

D377,574	S	*	1/1997	Mades	D6/601
5,806,925	A		9/1998	Hanley		
D419,025	S	*	1/2000	Lindberg	D6/611
D424,358	S	*	5/2000	Wang	D6/604
6,135,635	A		10/2000	Miller et al.		
6,655,735	B1		12/2003	Learning		
6,676,209	B1		1/2004	Szabo et al.		
7,000,984	B1		2/2006	Ward		
D539,067	S	*	3/2007	Dayan	D6/601
7,472,953	B1		1/2009	Lalji		
D610,855	S	*	3/2010	Siklosi	D6/611
D621,194	S	*	8/2010	Chiang	D6/601
D624,343	S	*	9/2010	Long	D6/601
D636,624	S	*	4/2011	Berk et al.	D6/611

D637,438	S	*	5/2011	Long	D6/601
8,038,211	B2	*	10/2011	Berk et al.	297/229
D648,167	S	*	11/2011	Colon	D6/601
2002/0179212	A1	*	12/2002	Willard et al.	150/158
2007/0170757	A1		7/2007	Lanham et al.		
2010/0001565	A1	*	1/2010	Gray et al.	297/229

* cited by examiner

Primary Examiner — Caron D Veynar

Assistant Examiner — Katrina A Betton

(74) *Attorney, Agent, or Firm* — QuickPatents, Inc.; Kevin Prince

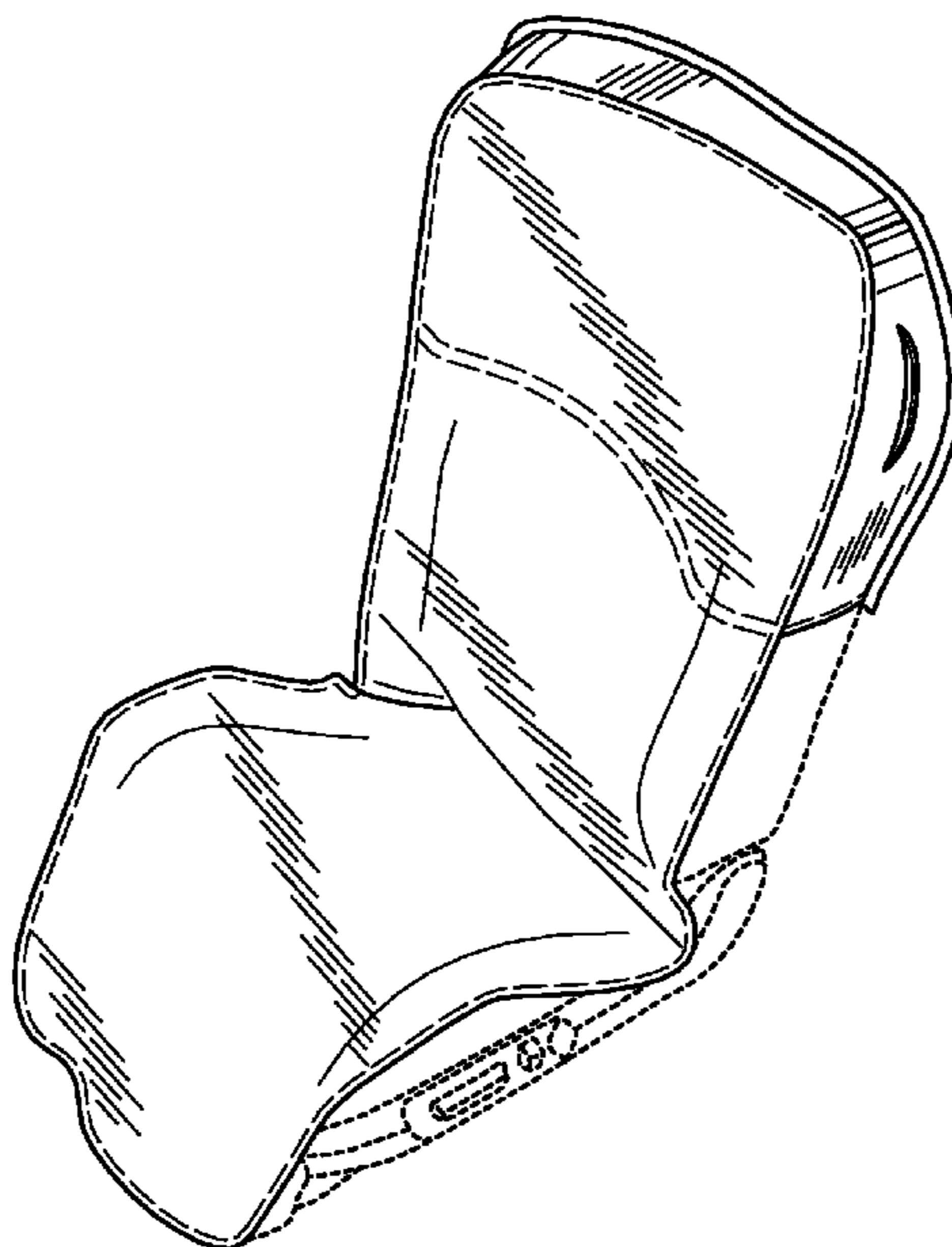
(57) **CLAIM**

We claim the ornamental design for a car seat cover, as shown and described.

DESCRIPTION

FIG. 1 is a front perspective view of a car seat cover, showing the new design in a fitted configuration;
 FIG. 2 is a rear perspective view thereof, illustrated in a flat configuration with a pocket thereof open;
 FIG. 3 is a top plan view of FIG. 2;
 FIG. 4 is a bottom plan view of FIG. 2.
 FIG. 5 is a front elevational view of FIG. 2;
 FIG. 6 is a rear elevational view of FIG. 2;
 FIG. 7 is a left-side elevational view of FIG. 2;
 FIG. 8 is a right-side elevational view of FIG. 2.
 FIG. 9 is a top plan view of FIG. 2 except with the pocket closed;
 FIG. 10 is a bottom plan view of FIG. 9;
 FIG. 11 is a left-side elevational view of FIG. 9; and,
 FIG. 12 is a right-side elevational view of FIG. 9.
 The broken lines showing a car seat in FIG. 1 are included for the purpose of illustrating the invention in use, and form no part of the claimed design. The remaining broken lines in the figures represent stitching and are part of the claimed design. It is understood that the front and rear elevational views of FIG. 9 are identical to FIGS. 5 and 6 respectively.

1 Claim, 3 Drawing Sheets



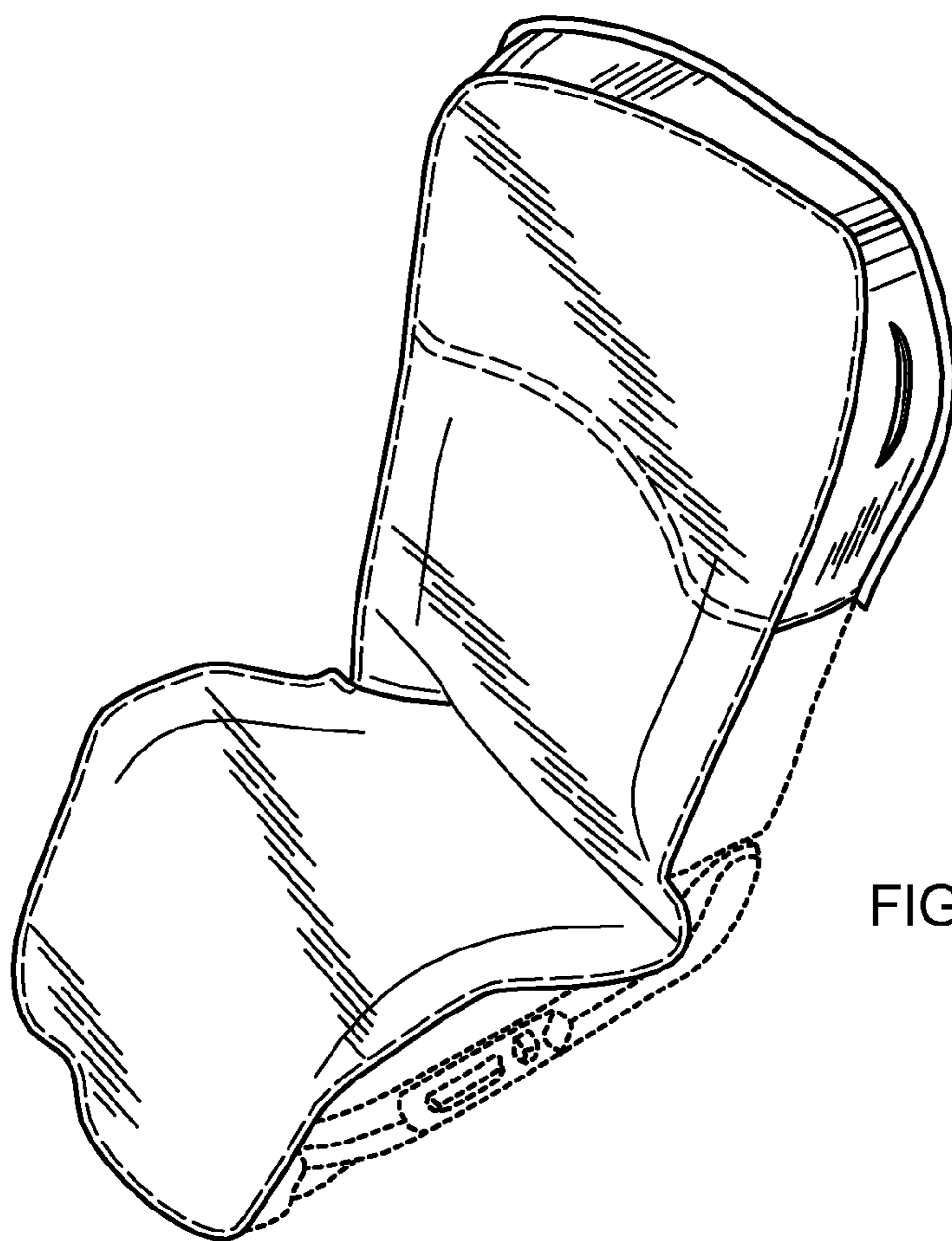


FIG. 1

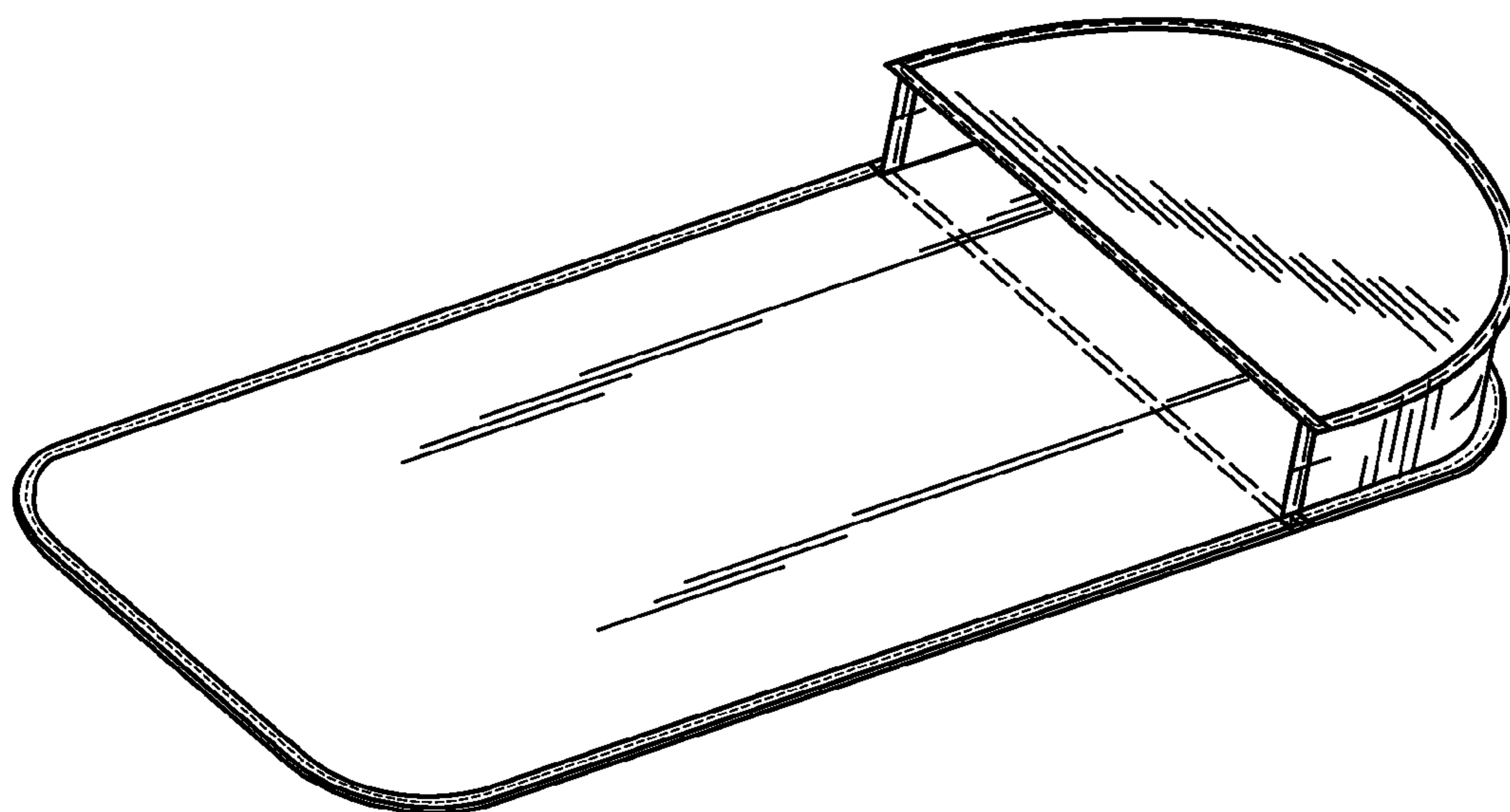


FIG. 2

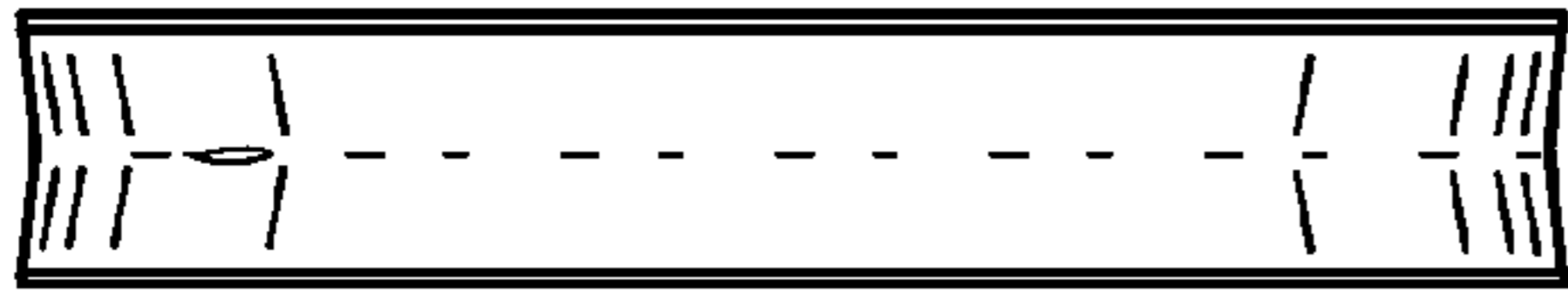


FIG. 3

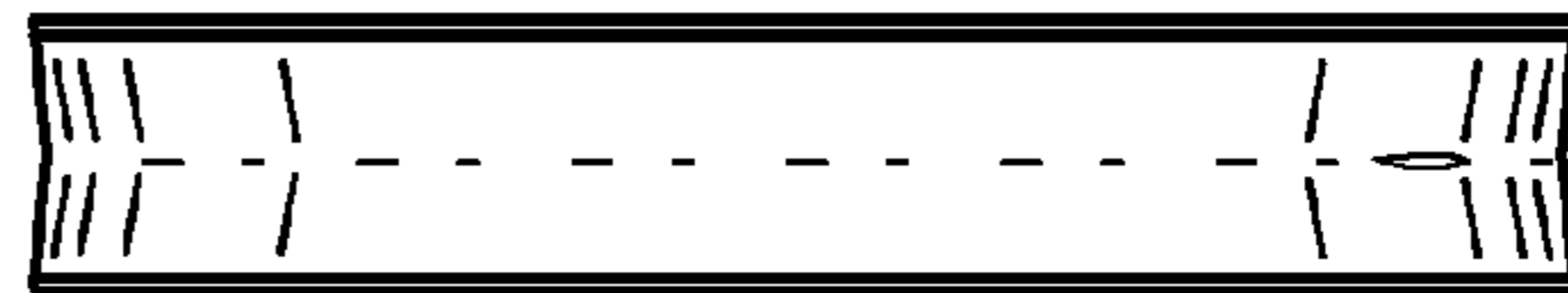


FIG. 4

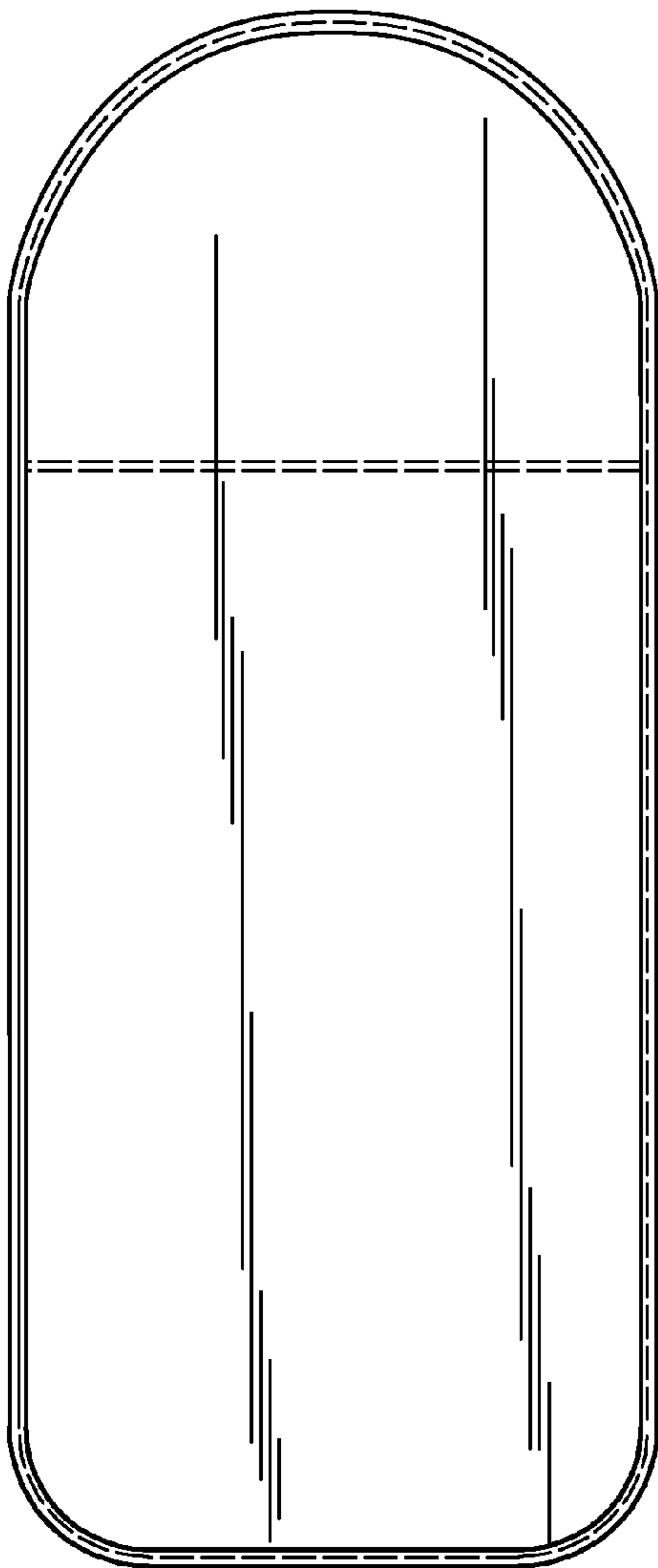


FIG. 5

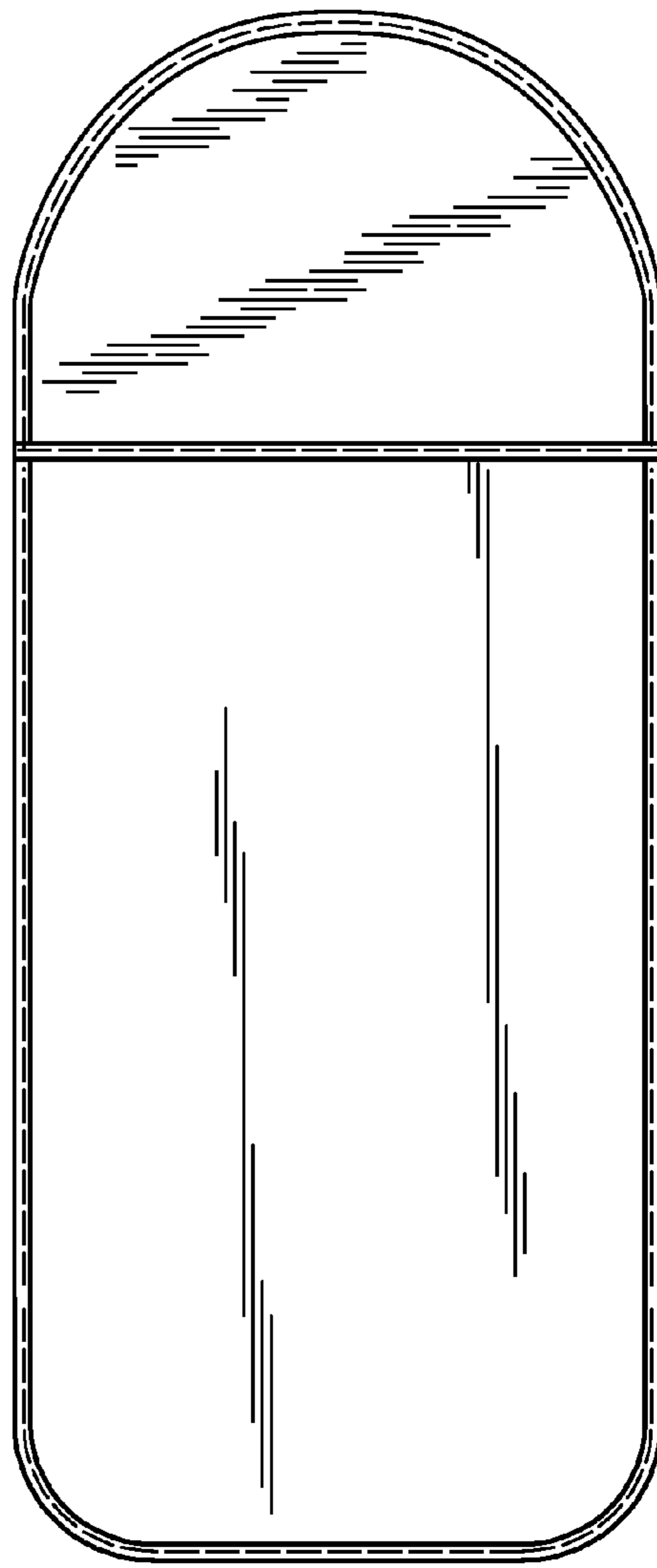


FIG. 6



FIG. 9



FIG. 10

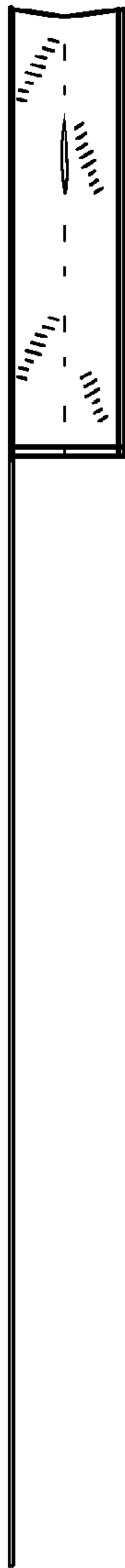


FIG. 7

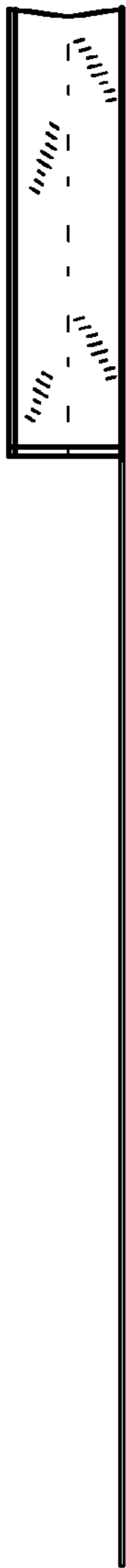


FIG. 8



FIG. 11



FIG. 12