



US00D663148S

(12) **United States Design Patent**  
**Freese et al.**

(10) **Patent No.:** **US D663,148 S**  
(45) **Date of Patent:** **\*\* Jul. 10, 2012**

(54) **DIAPER CHANGER**

(74) *Attorney, Agent, or Firm* — Carter & Schnedler, P.A.

(75) Inventors: **Lawrence O. Freese**, Charlotte, NC (US); **Taylor E. Thomas**, Charlotte, NC (US)

(57) **CLAIM**  
The ornamental design for a diaper changer, as shown and described.

(73) Assignee: **BRICA, Inc.**, Charlotte, NC (US)

**DESCRIPTION**

(\*\*) Term: **14 Years**

(21) Appl. No.: **29/405,803**

(22) Filed: **Nov. 7, 2011**

**Related U.S. Application Data**

(63) Continuation-in-part of application No. 12/750,960, filed on Mar. 31, 2010, now Pat. No. 8,069,517.

(51) **LOC (9) Cl.** ..... **06-09**

(52) **U.S. Cl.** ..... **D6/596; D6/601**

(58) **Field of Classification Search** ..... D6/595,  
D6/596, 601, 604; 5/630, 633, 636, 637,  
5/652-656, 706, 417, 419; D21/809; D2/719;  
D3/274

See application file for complete search history.

(56) **References Cited**

**U.S. PATENT DOCUMENTS**

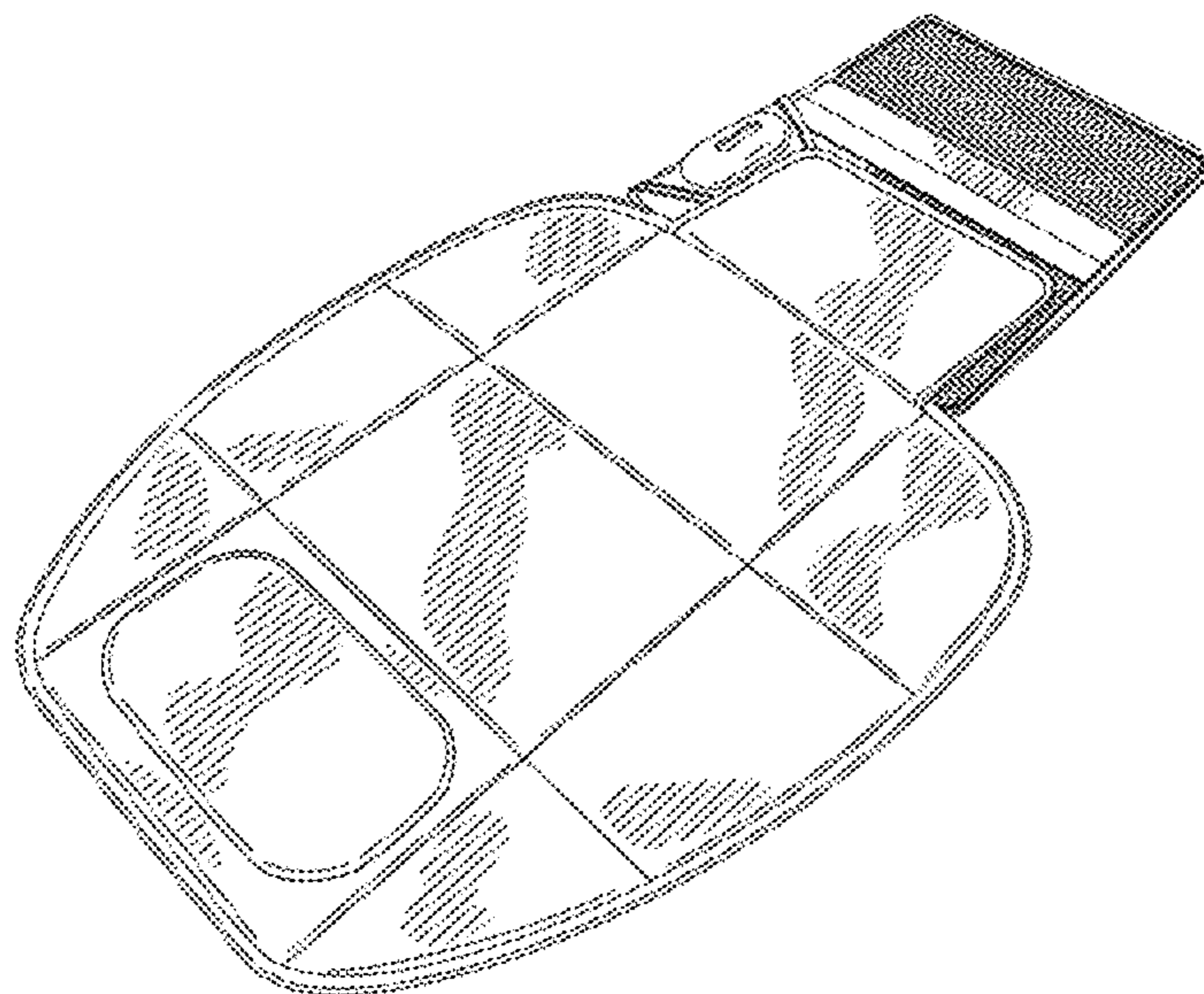
D264,165	S *	5/1982	McVeigh	.....	D6/596
5,099,530	A *	3/1992	Scott	.....	5/420
D376,689	S *	12/1996	Doppelt	.....	D3/274
D440,805	S *	4/2001	Rogone et al.	.....	D6/596
7,062,807	B2	6/2006	Conforti		
D593,786	S *	6/2009	Lown et al.	.....	D6/596
D615,338	S *	5/2010	Balkaran	.....	D6/596
D636,831	S *	4/2011	Mikula	.....	D21/803
2007/0214573	A1	9/2007	Soloway		

\* cited by examiner

FIG. 1 is a three-dimensional view of a diaper changer embodying the invention in its fully unfolded in-use configuration;  
 FIG. 2 is a top plan view thereof;  
 FIG. 3 is an underside view thereof;  
 FIG. 4 is a right side elevational view of the diaper changer, viewed from the bottom in the orientation of FIG. 2;  
 FIG. 5 is a left side elevational view of the diaper changer, viewed from the top in the orientation of FIG. 2;  
 FIG. 6 is a first end elevational view of the diaper changer, viewed from the left of the orientation of FIG. 2;  
 FIG. 7 is a second end view of the diaper changer, viewed from the right in the orientation of FIG. 2;  
 FIG. 8 is a three-dimensional view of the diaper changer of FIG. 1 in its folded up transportation and storage configuration;  
 FIG. 9 is a top plan view thereof;  
 FIG. 10 is an underside view thereof;  
 FIG. 11 is a first side elevational view of the diaper changer in its folded up configuration, viewed from the right in the orientation of FIG. 9;  
 FIG. 12 is a second side elevational view of the diaper changer, viewed from the left in the orientation of FIG. 9;  
 FIG. 13 is a first end elevational view of the diaper changer in its folded up configuration, viewed from the top in the orientation of FIG. 9; and,  
 FIG. 14 is a second end elevational view of the diaper changer in its folded up configuration, viewed from the bottom in the orientation of FIG. 9.

*Primary Examiner* — Janice Seeger

**1 Claim, 10 Drawing Sheets**



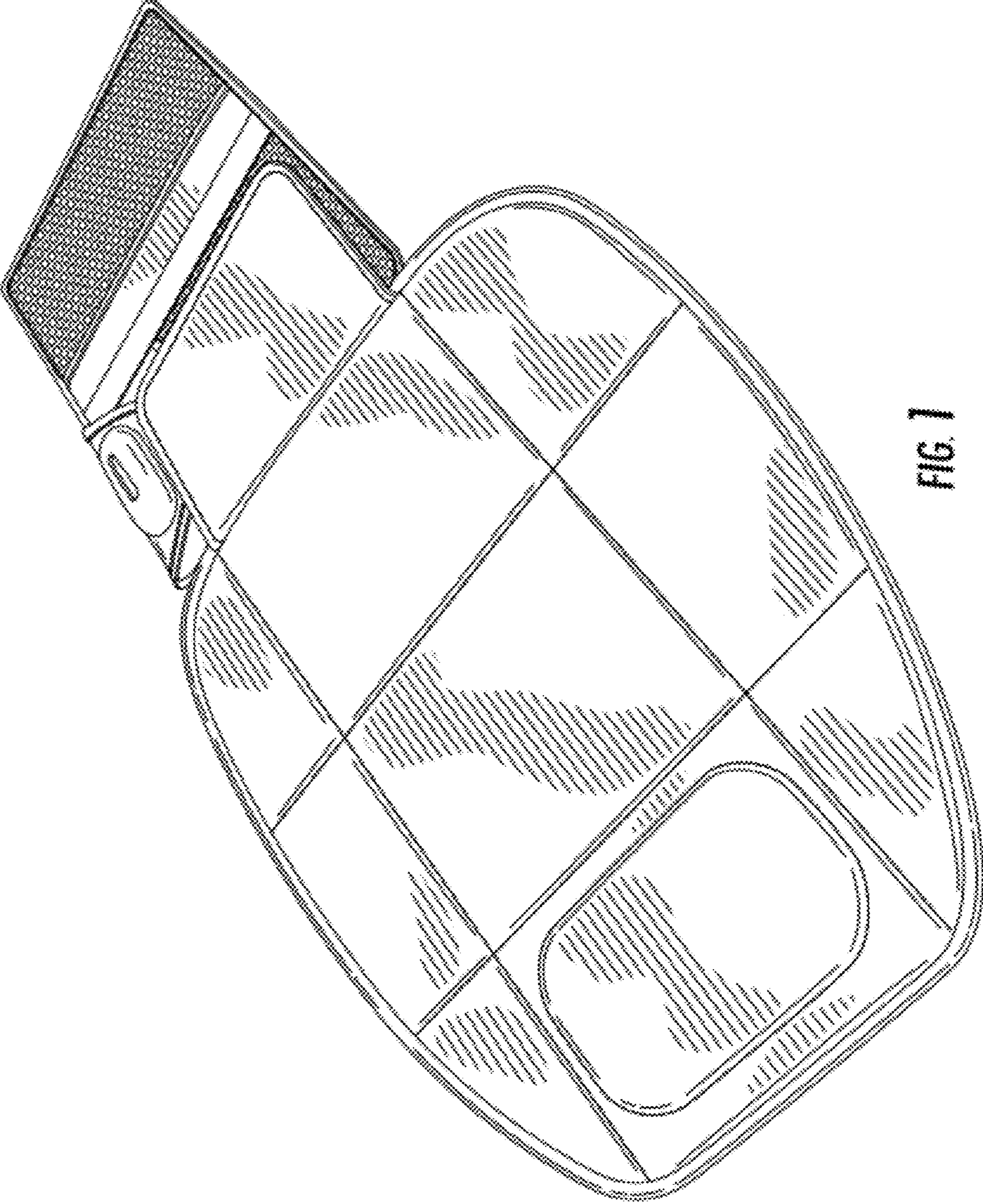


FIG. 1

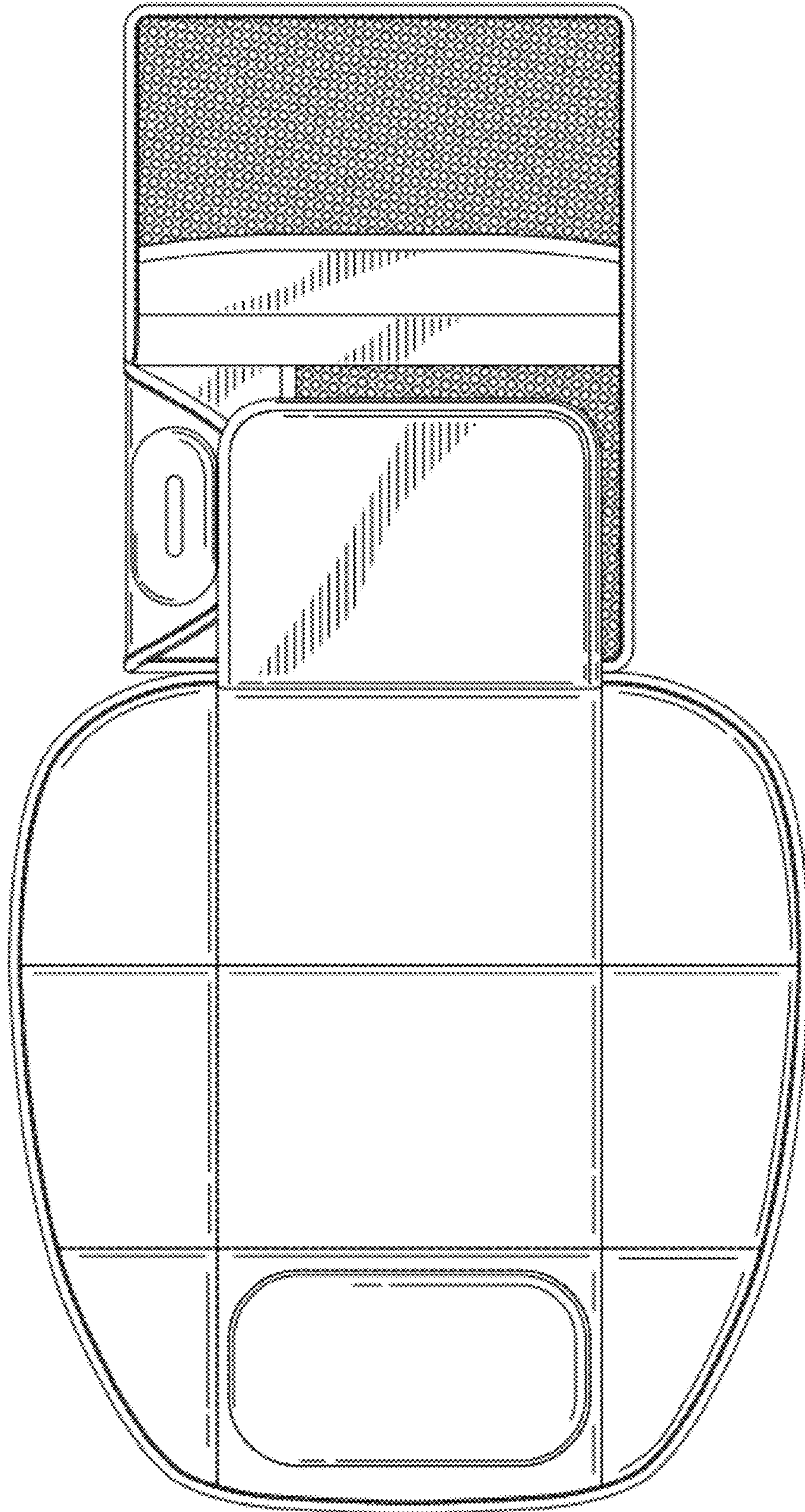


FIG. 2

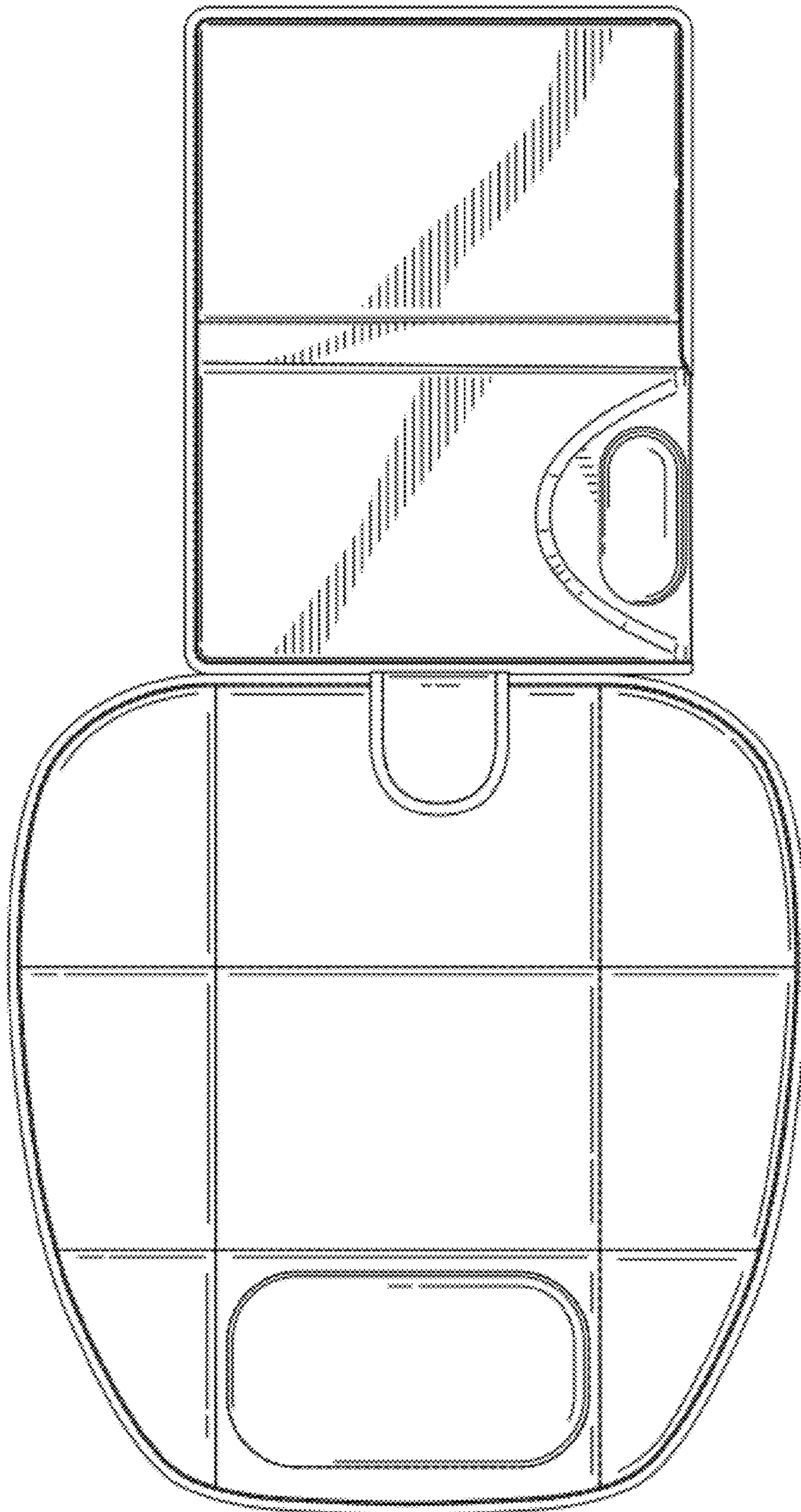


FIG. 3

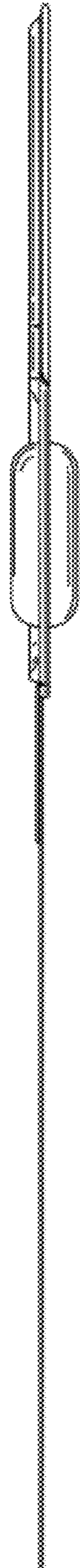


FIG. 4

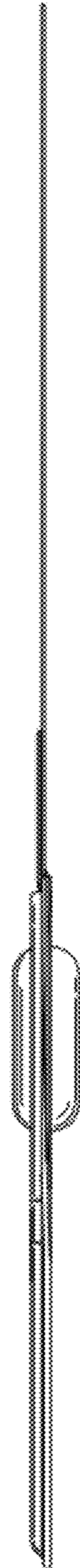


FIG. 5

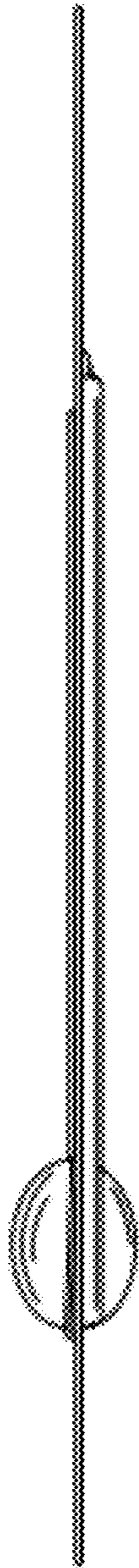


FIG. 6

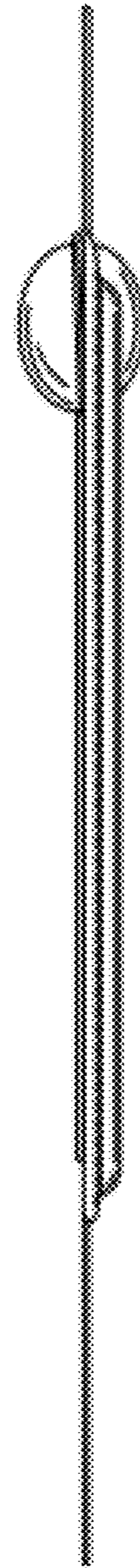


FIG. 7

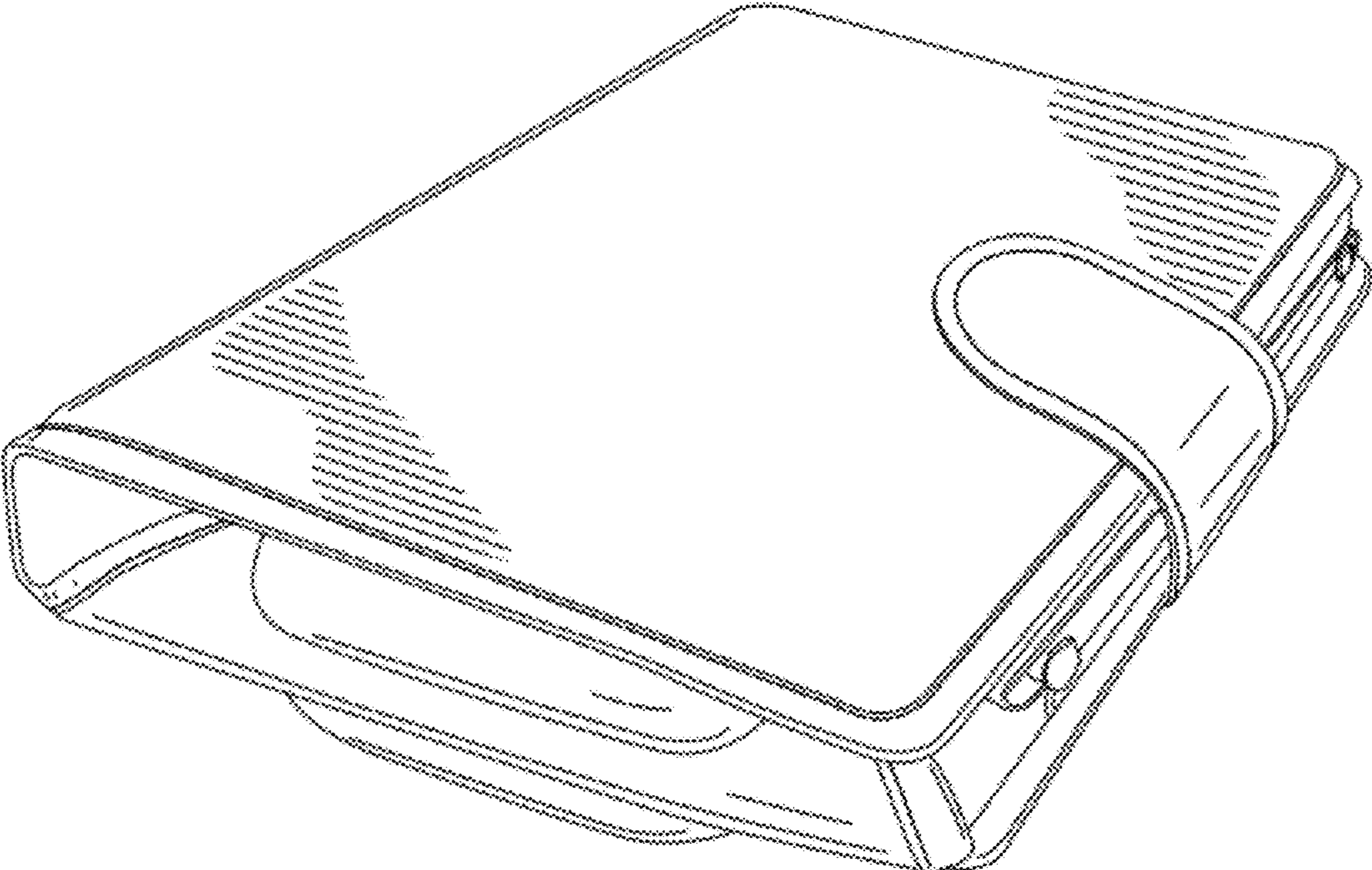


FIG. 8

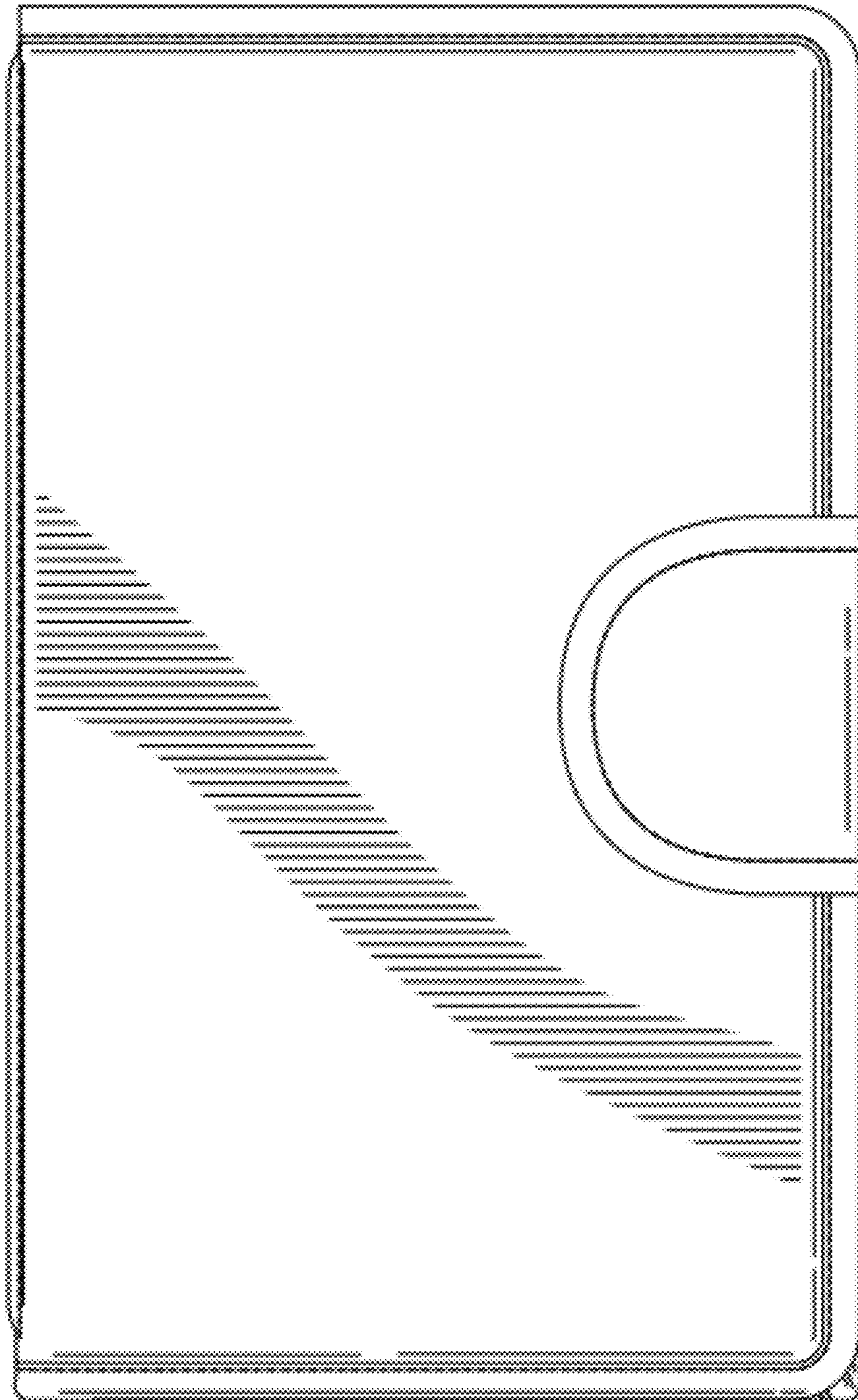


FIG. 9



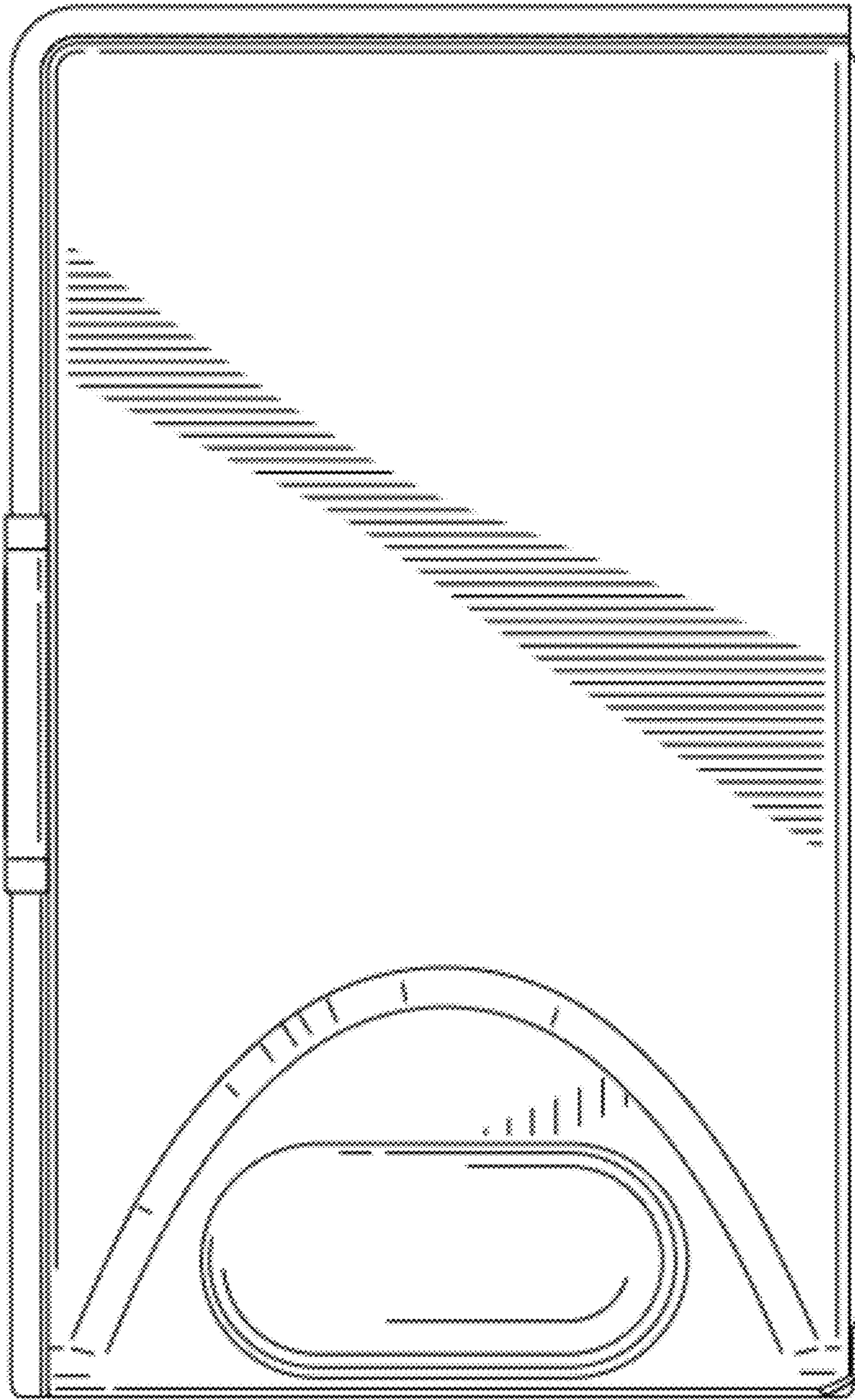


FIG. 10

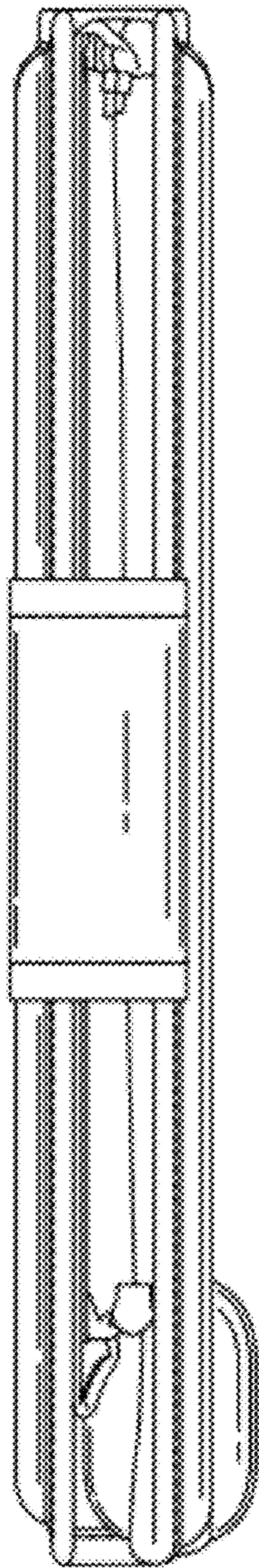


FIG. 11

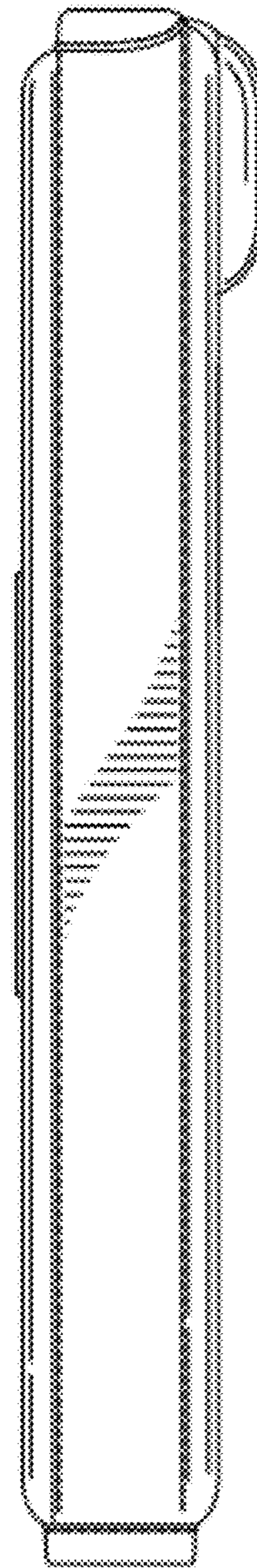


FIG. 12

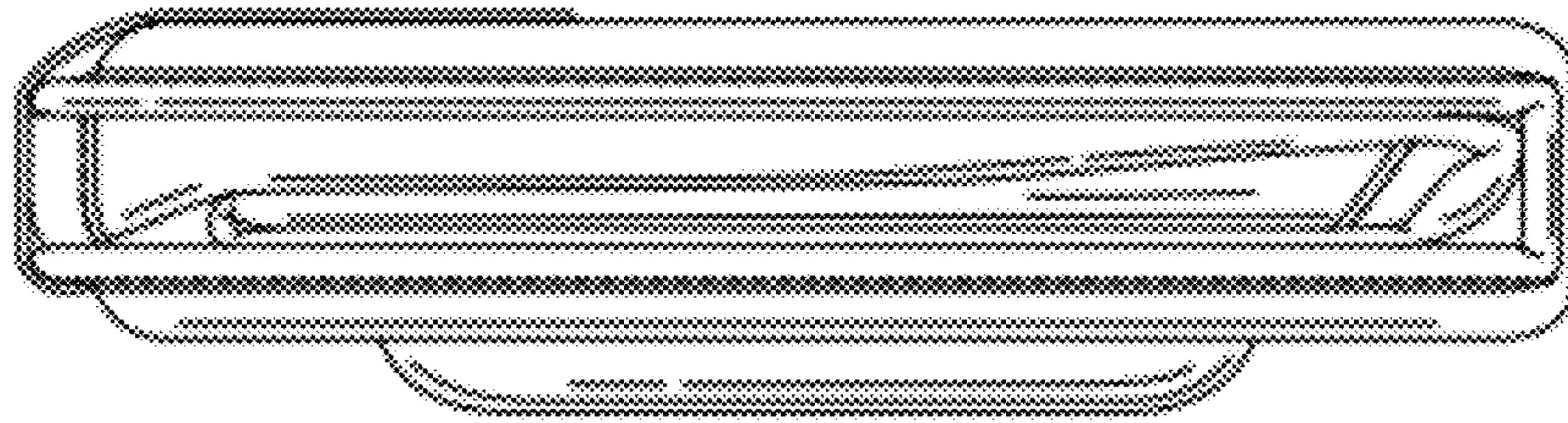


FIG. 13

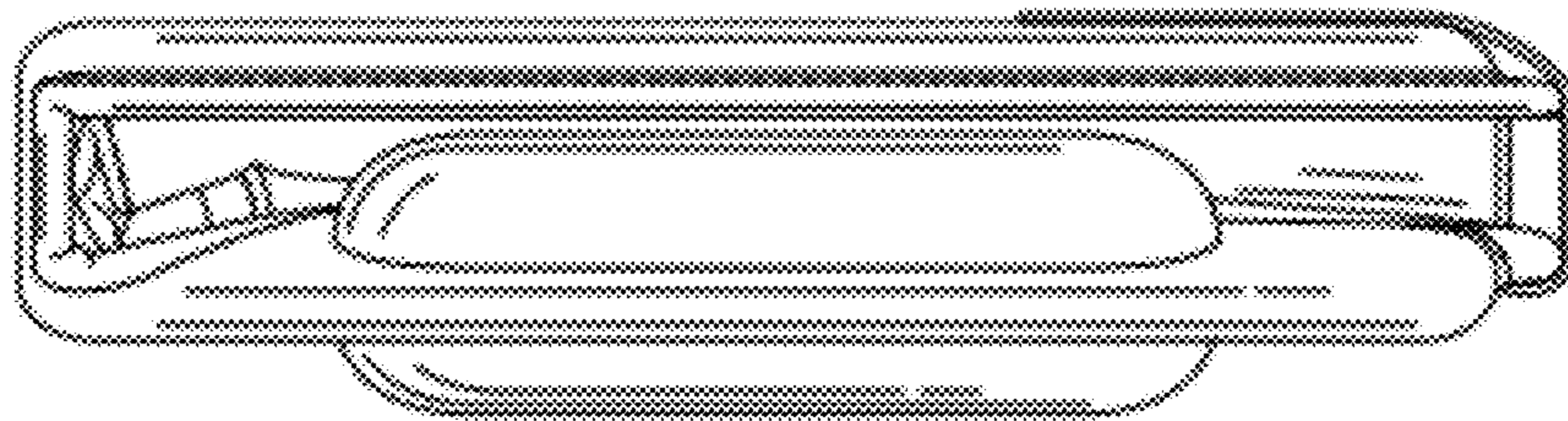


FIG. 14