



US00D663146S

(12) **United States Design Patent**
Davis

(10) **Patent No.:** **US D663,146 S**

(45) **Date of Patent:** **** Jul. 10, 2012**

(54) **KEY CABINET**

(75) Inventor: **Paul R. Davis**, Corvallis, OR (US)

(73) Assignee: **Videx, Inc.**, Corvallis, OR (US)

(**) Term: **14 Years**

(21) Appl. No.: **29/388,488**

(22) Filed: **Mar. 29, 2011**

(51) **LOC (9) Cl.** **06-04**

(52) **U.S. Cl.** **D6/559**

(58) **Field of Classification Search** D6/553,
D6/559, 560, 561, 329, 396, 442, 448, 436,
D6/437, 438, 439, 444, 445, 446, 468; 312/209,
312/234, 224, 225, 242, 245; 206/320, 823;
D8/330-331, 346; D13/107-109; D99/28;
320/107-115; 20/63, 69, 78, 80, 158, 271,
20/431, 434, 443

See application file for complete search history.

(56) **References Cited**

U.S. PATENT DOCUMENTS

D266,199 S *	9/1982	Schattner et al.	D99/28
D297,195 S *	8/1988	Warwicker	D6/559
D484,725 S *	1/2004	Howard	D6/559
D495,234 S *	8/2004	Fisher et al.	D8/330
D500,224 S *	12/2004	Drehs	D6/559
D582,254 S *	12/2008	Turpault et al.	D8/346

D635,377 S *	4/2011	Rodgers et al.	D6/468
D638,020 S *	5/2011	Johnson et al.	D13/107
D642,556 S *	8/2011	Lee	D13/108

* cited by examiner

Primary Examiner — Brian N Vinson

(74) *Attorney, Agent, or Firm* — J. Douglas Wells

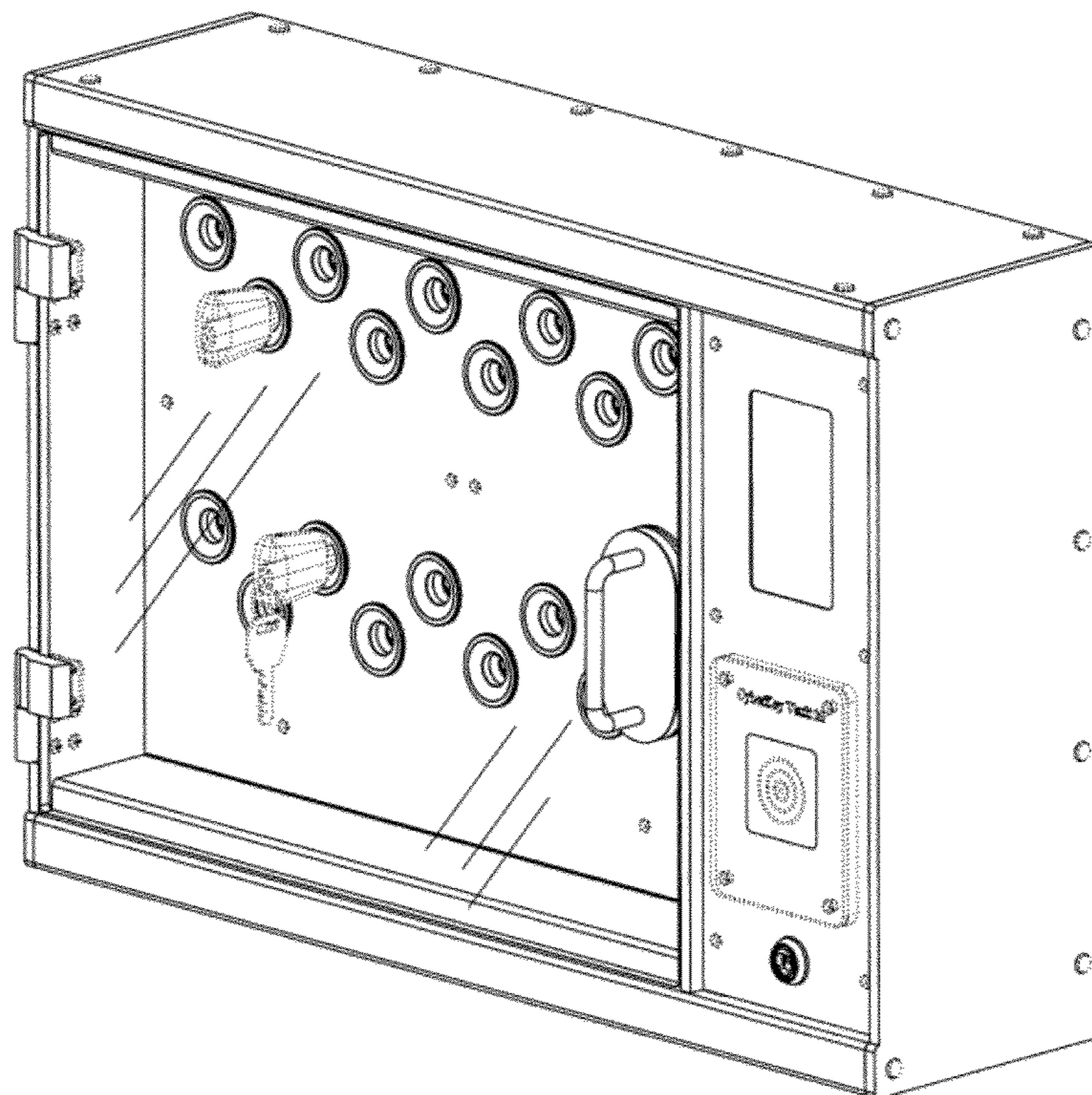
(57) **CLAIM**

The ornamental design for a key cabinet, as shown and described.

DESCRIPTION

FIG. 1 is a perspective view of a key cabinet, showing my new design;
 FIG. 2 is a front elevation view of the key cabinet shown in FIG. 1;
 FIG. 3 is a rear elevation view of the key cabinet shown in FIG. 1;
 FIG. 4 is a top plan view of the key cabinet shown in FIG. 1;
 FIG. 5 is a bottom plan view of the key cabinet shown in FIG. 1;
 FIG. 6 is a left side view of the key cabinet shown in FIG. 1;
 and,
 FIG. 7 is a right side view of the key cabinet shown in FIG. 1.
 The broken-line disclosure in the views is understood to represent portions of the article in which the claimed design is embodied, but which form no part of the claimed design.

1 Claim, 7 Drawing Sheets



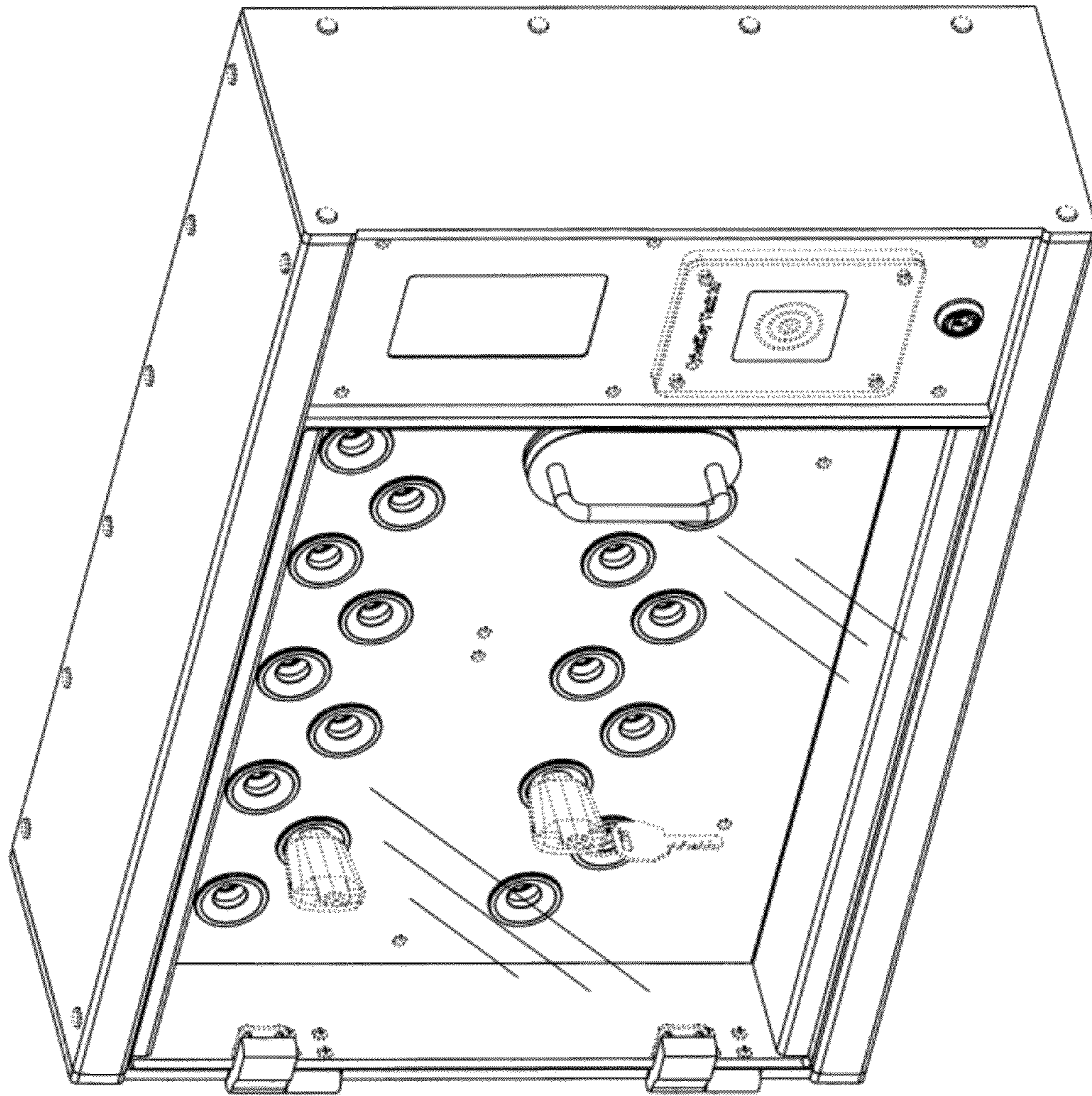


Fig. 1

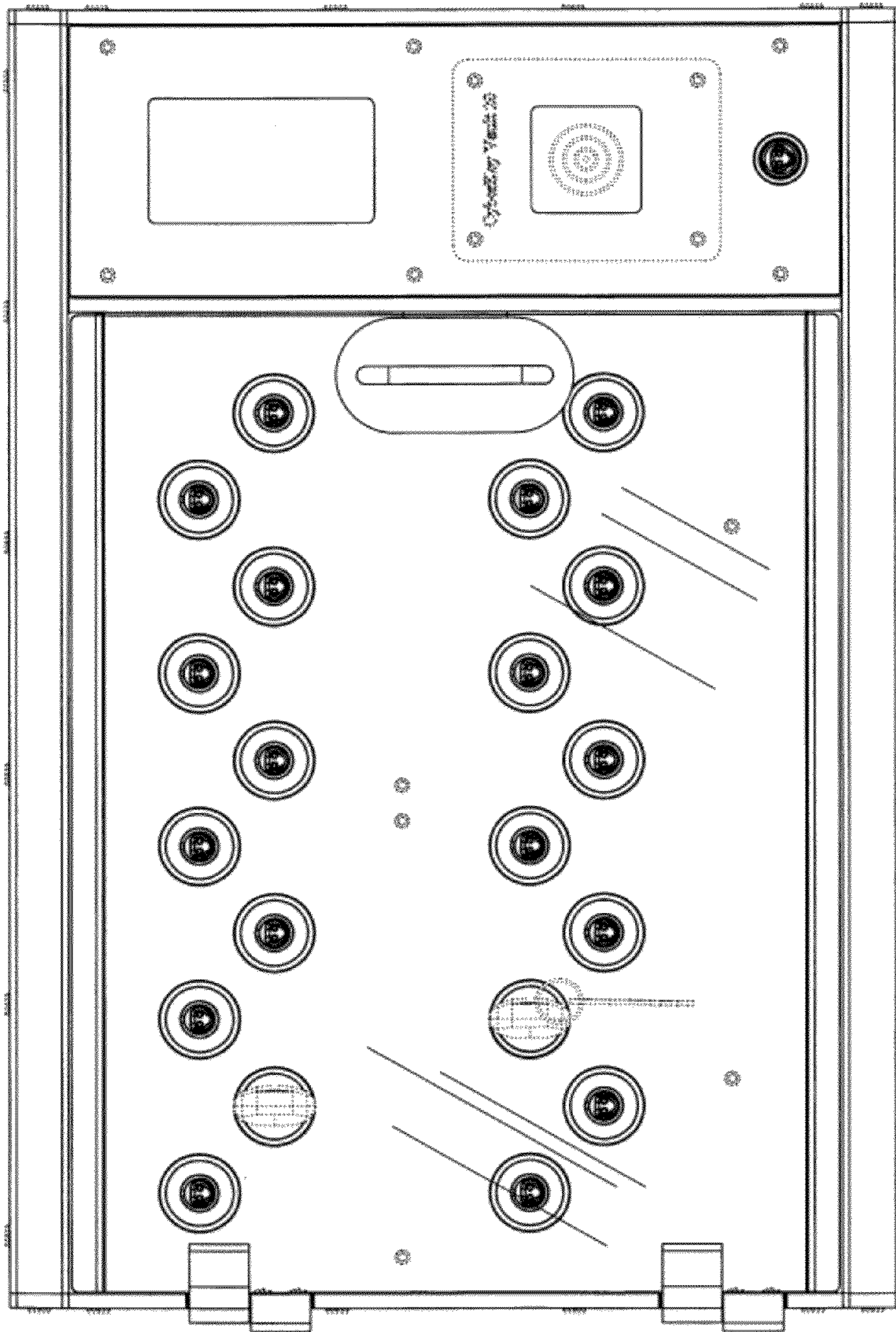


Fig. 2

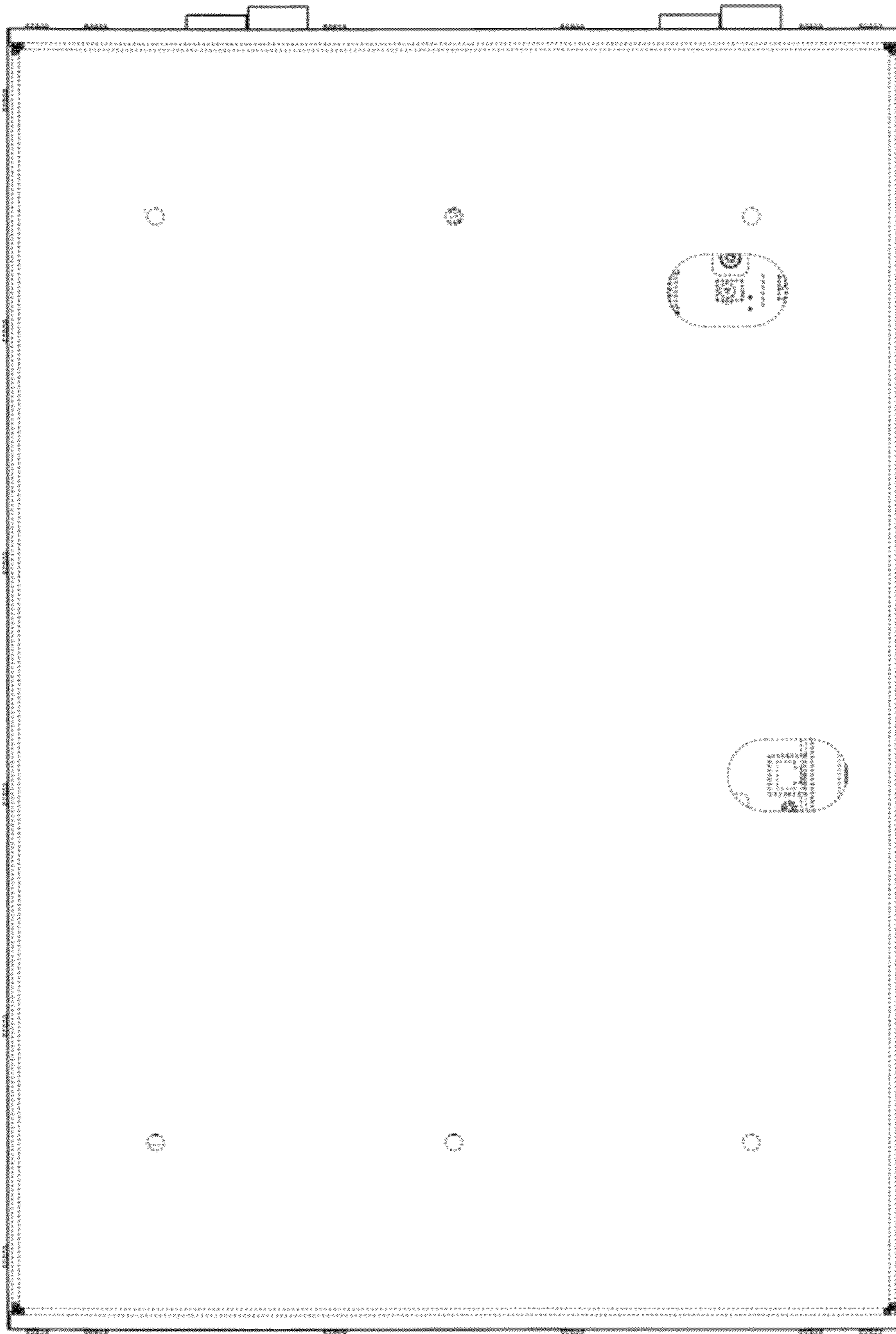


Fig. 3

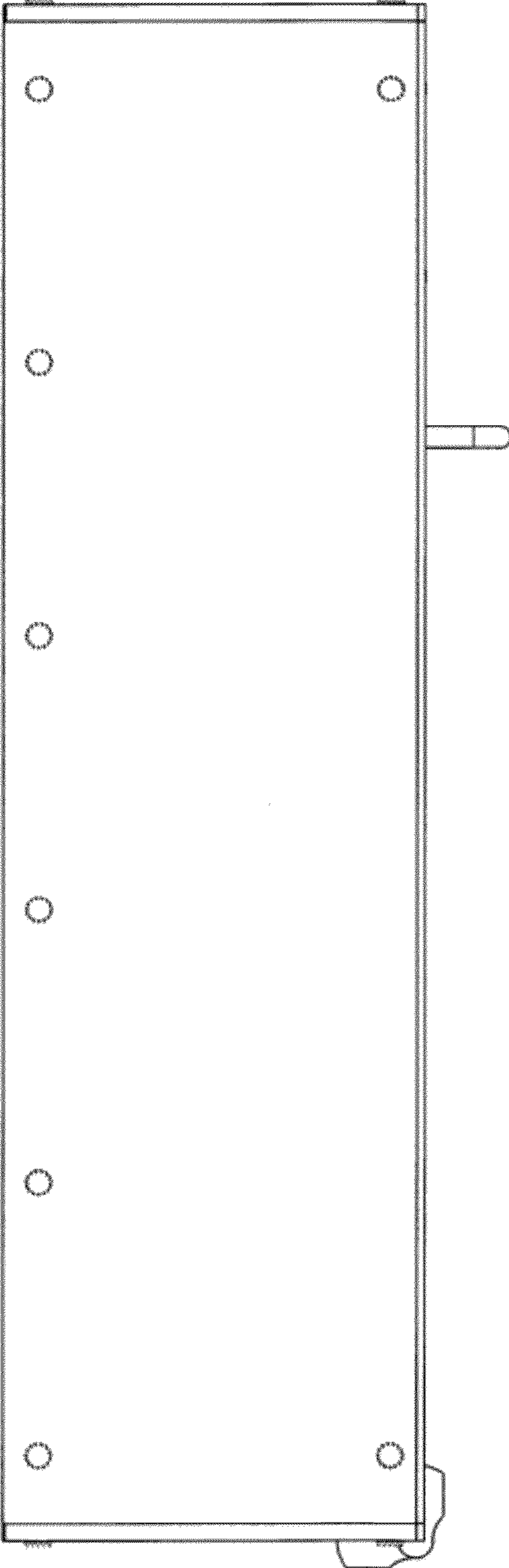


Fig. 4

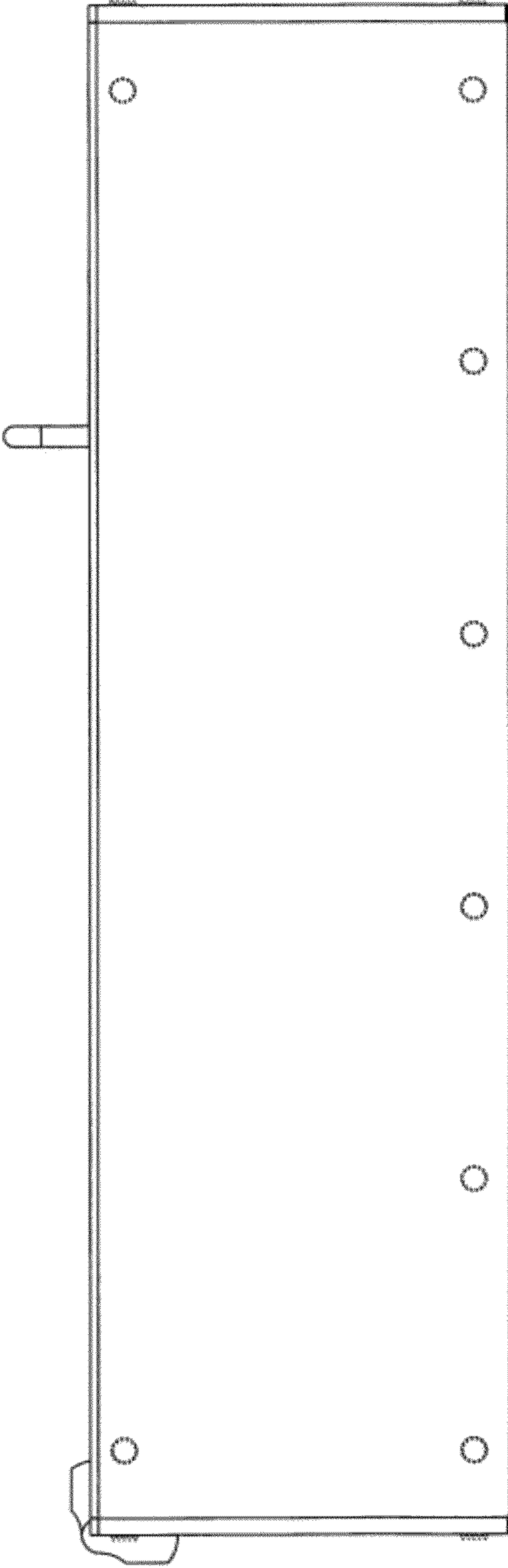


Fig. 5

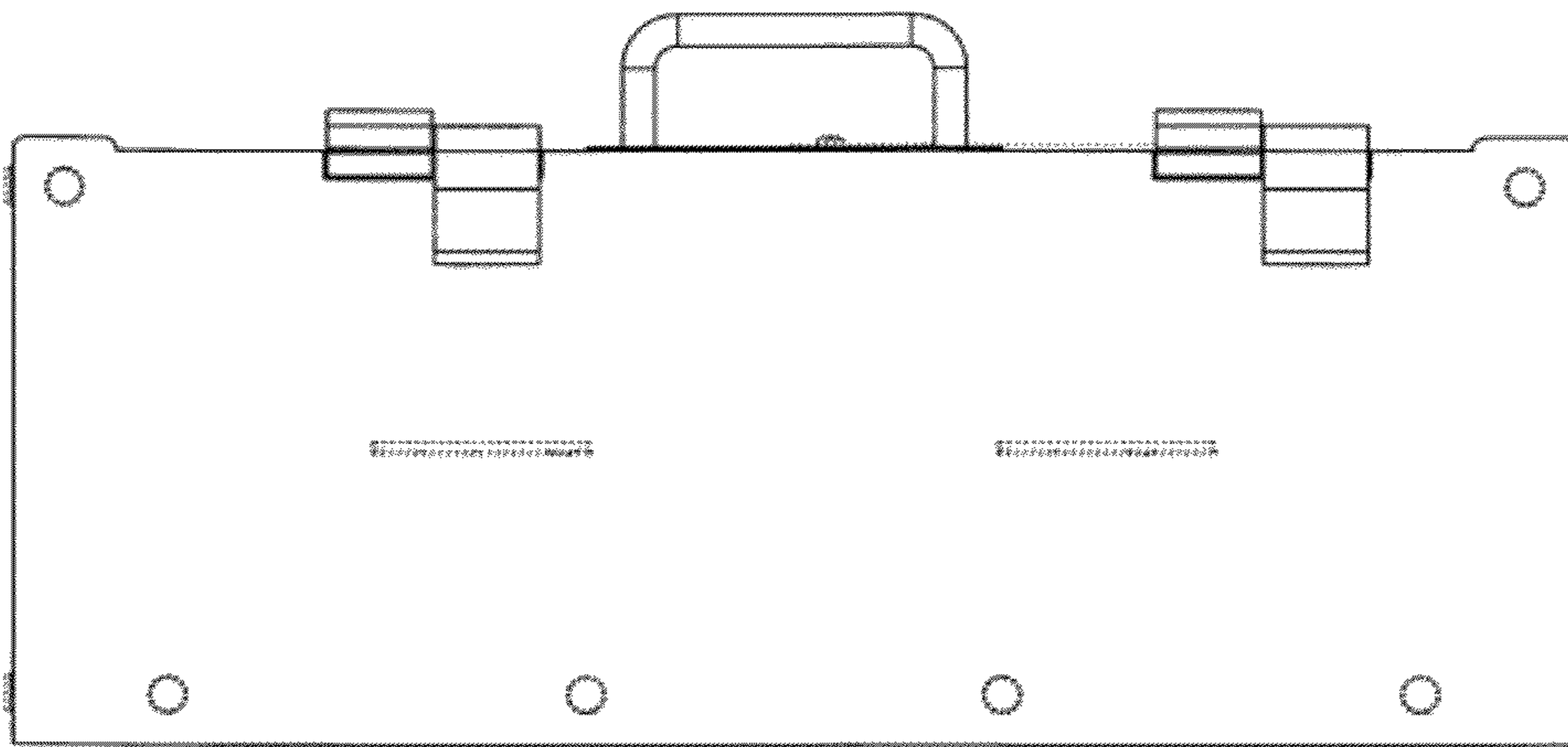


Fig. 6

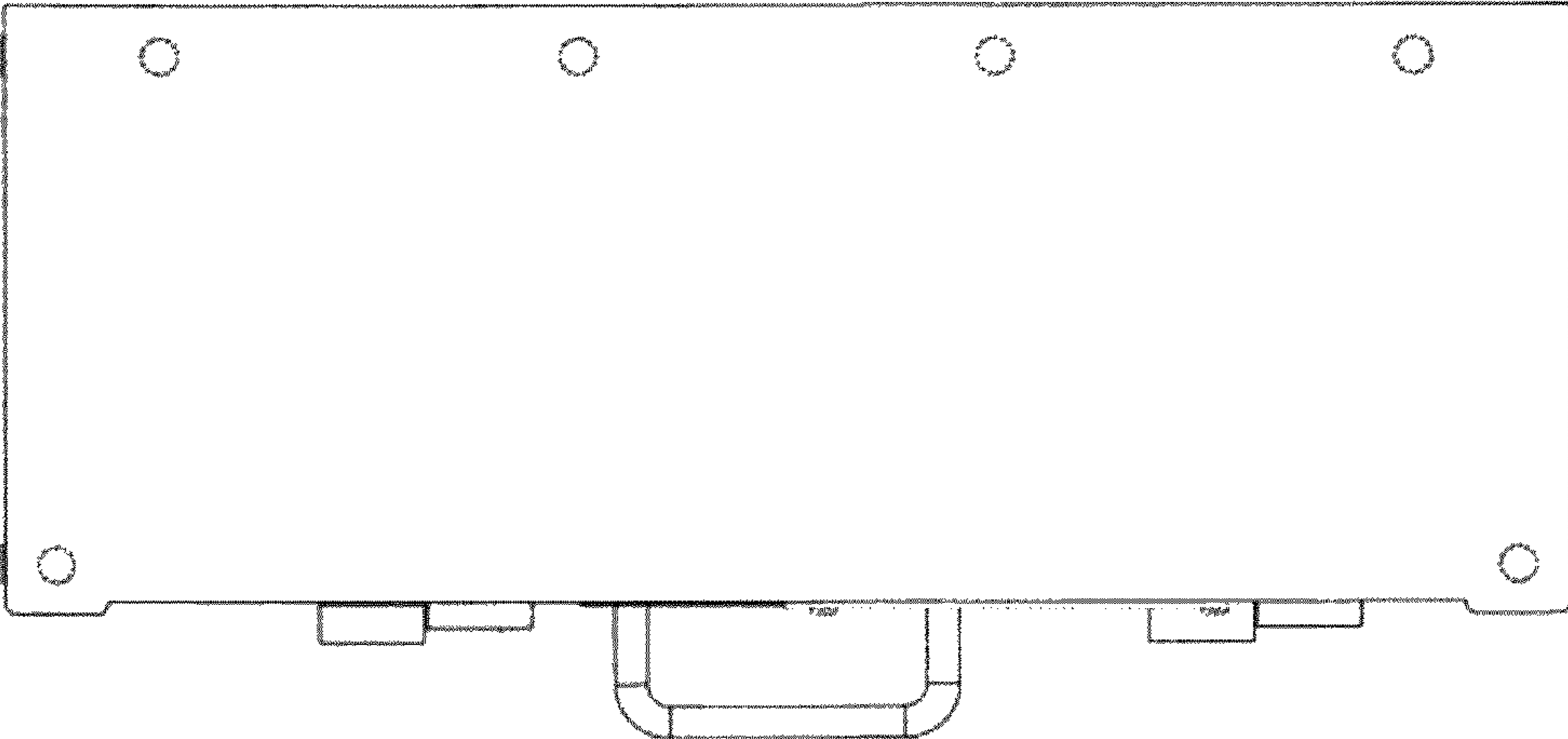


Fig. 7