

US00D663140S

(12) **United States Design Patent**  
**Habig et al.**

(10) **Patent No.:** **US D663,140 S**  
(45) **Date of Patent:** **\*\* Jul. 10, 2012**

(54) **CHAIR**

(75) Inventors: **Michael M. Habig**, Minneapolis, MN (US); **Mari L. Anderson**, Minneapolis, MN (US)

(73) Assignee: **Target Brands, Inc.**, Minneapolis, MN (US)

(\*\*) Term: **14 Years**

(21) Appl. No.: **29/376,558**

(22) Filed: **Oct. 8, 2010**

(51) **LOC (9) Cl.** ..... **06-01**

(52) **U.S. Cl.** ..... **D6/500**

(58) **Field of Classification Search** ..... D6/334–336,  
D6/358, 364–368, 372–380, 491, 498–502;  
297/16.2, 188.14, 300.5, 354.1, 369, 411.2,  
297/411.27, 411.36, 452.13, 452.21, 452.29,  
297/452.3, 452.35, 452.48

See application file for complete search history.

(56) **References Cited**

**U.S. PATENT DOCUMENTS**

5,893,605 A \* 4/1999 Chang ..... 297/188.14  
6,682,135 B2 \* 1/2004 Zheng ..... 297/16.2  
D503,554 S 4/2005 Kay  
6,899,383 B2 \* 5/2005 Hwang ..... 297/16.2

D507,892 S \* 8/2005 Zheng ..... D6/358  
D515,830 S \* 2/2006 Zheng ..... D6/358  
D516,825 S \* 3/2006 Zheng ..... D6/358  
D516,826 S \* 3/2006 Zheng ..... D6/358  
D517,819 S 3/2006 Zheng  
D565,868 S \* 4/2008 Matheus et al. .... D6/491  
D651,009 S \* 12/2011 Randall ..... D6/368  
D654,733 S \* 2/2012 Burke ..... D6/500  
2004/0036323 A1 \* 2/2004 Hwang ..... 297/16.2  
2004/0066075 A1 \* 4/2004 Yeh ..... 297/354.1  
2004/0113476 A1 \* 6/2004 Chang ..... 297/369

\* cited by examiner

*Primary Examiner* — Ricky Pham

(74) *Attorney, Agent, or Firm* — Leanne Taveggia Farrell;  
Westman, Champin & Kelly, P.A.

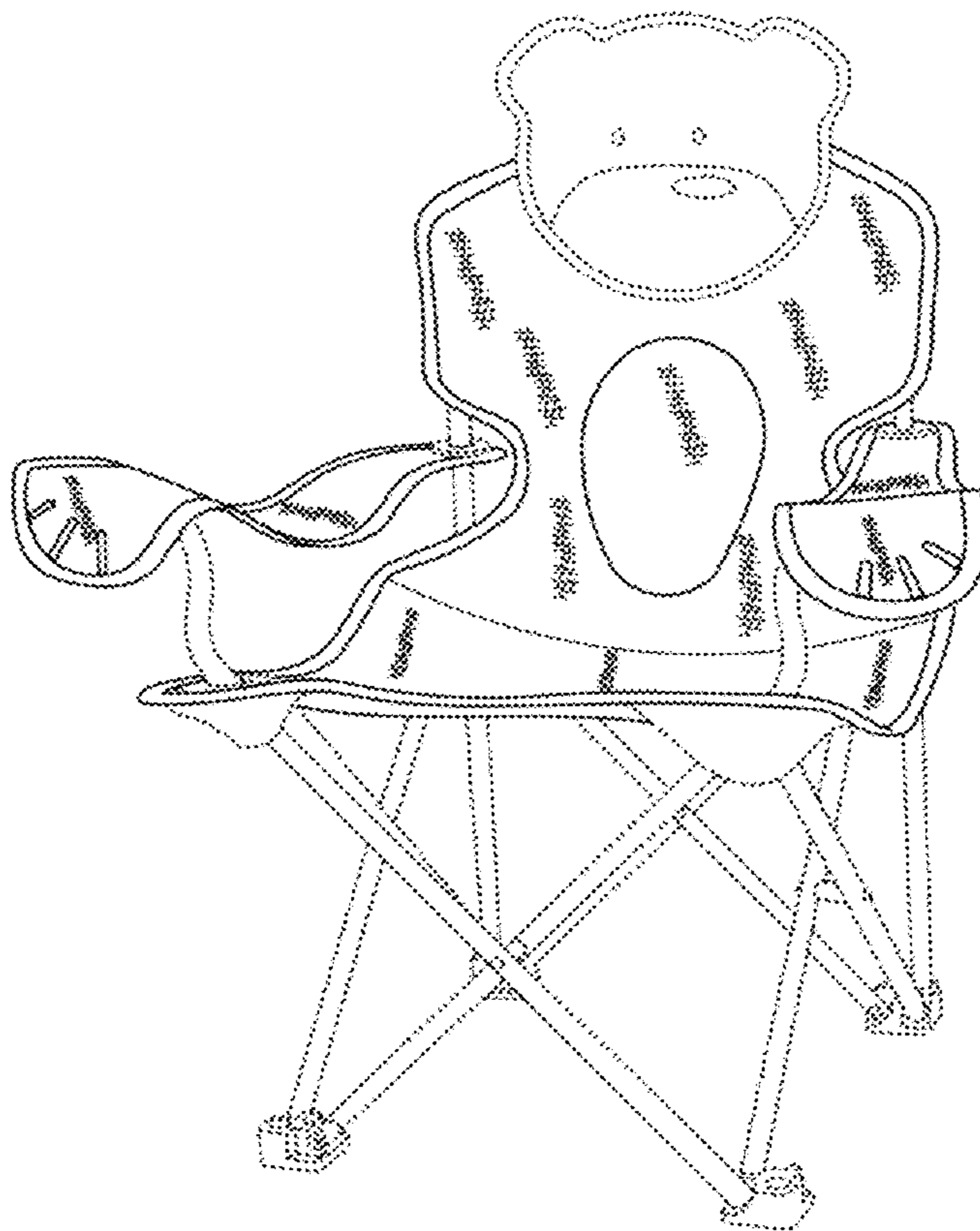
(57) **CLAIM**

The ornamental design for a chair, as shown and described.

**DESCRIPTION**

FIG. 1 is a perspective view of one embodiment of the chair. FIG. 2 is a front view of the chair embodiment of FIG. 1. FIG. 3 is a back view of the chair embodiment of FIG. 1. FIG. 4 is a left side view of the chair embodiment of FIG. 1. FIG. 5 is a right side view of the chair embodiment of FIG. 1. FIG. 6 is a top view of the chair embodiment of FIG. 1; and, FIG. 7 is a bottom view of the chair embodiment of FIG. 1. The broken lines shown in the drawings are for illustrative purposes only and form no part of the claimed design.

**1 Claim, 6 Drawing Sheets**



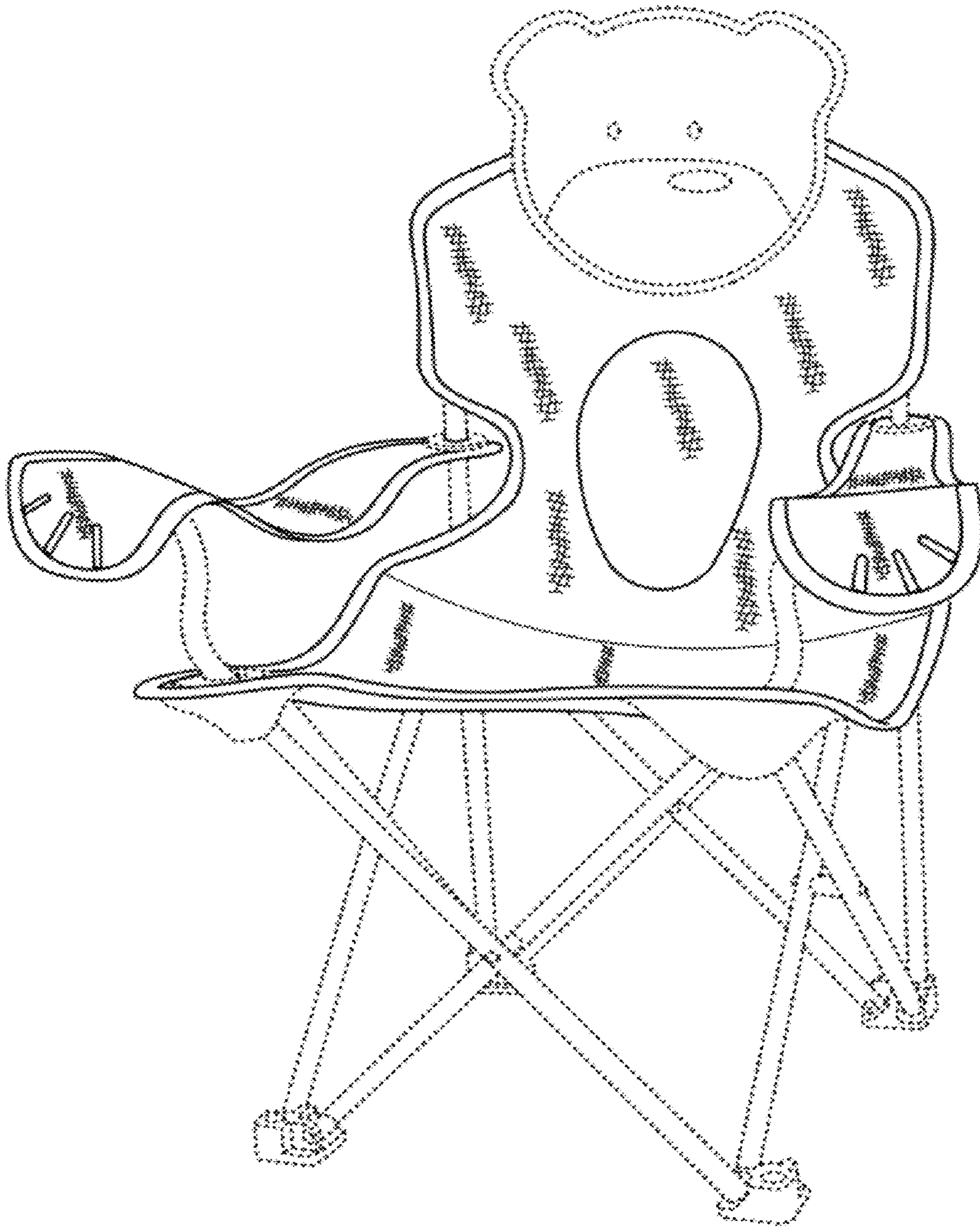
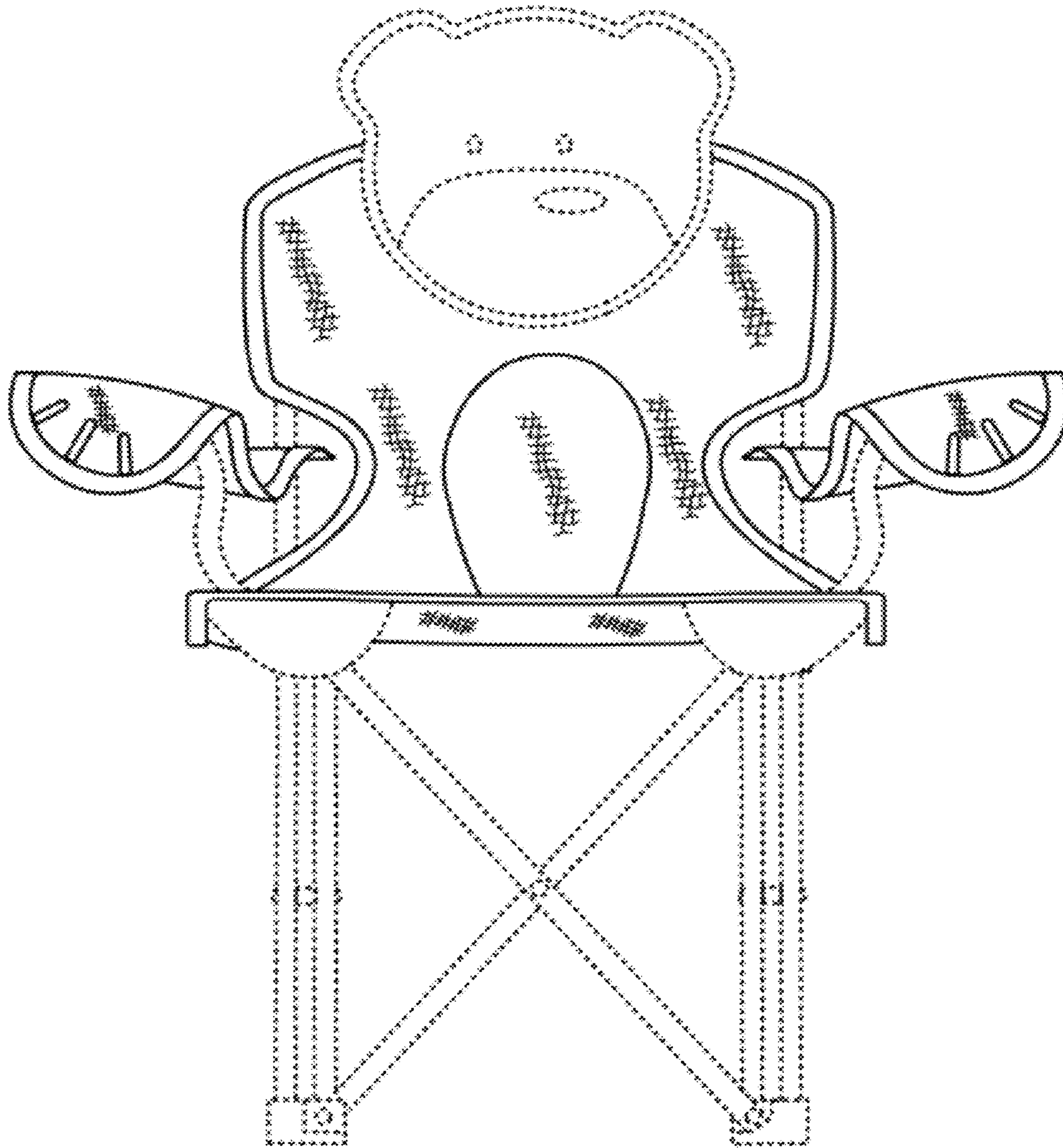
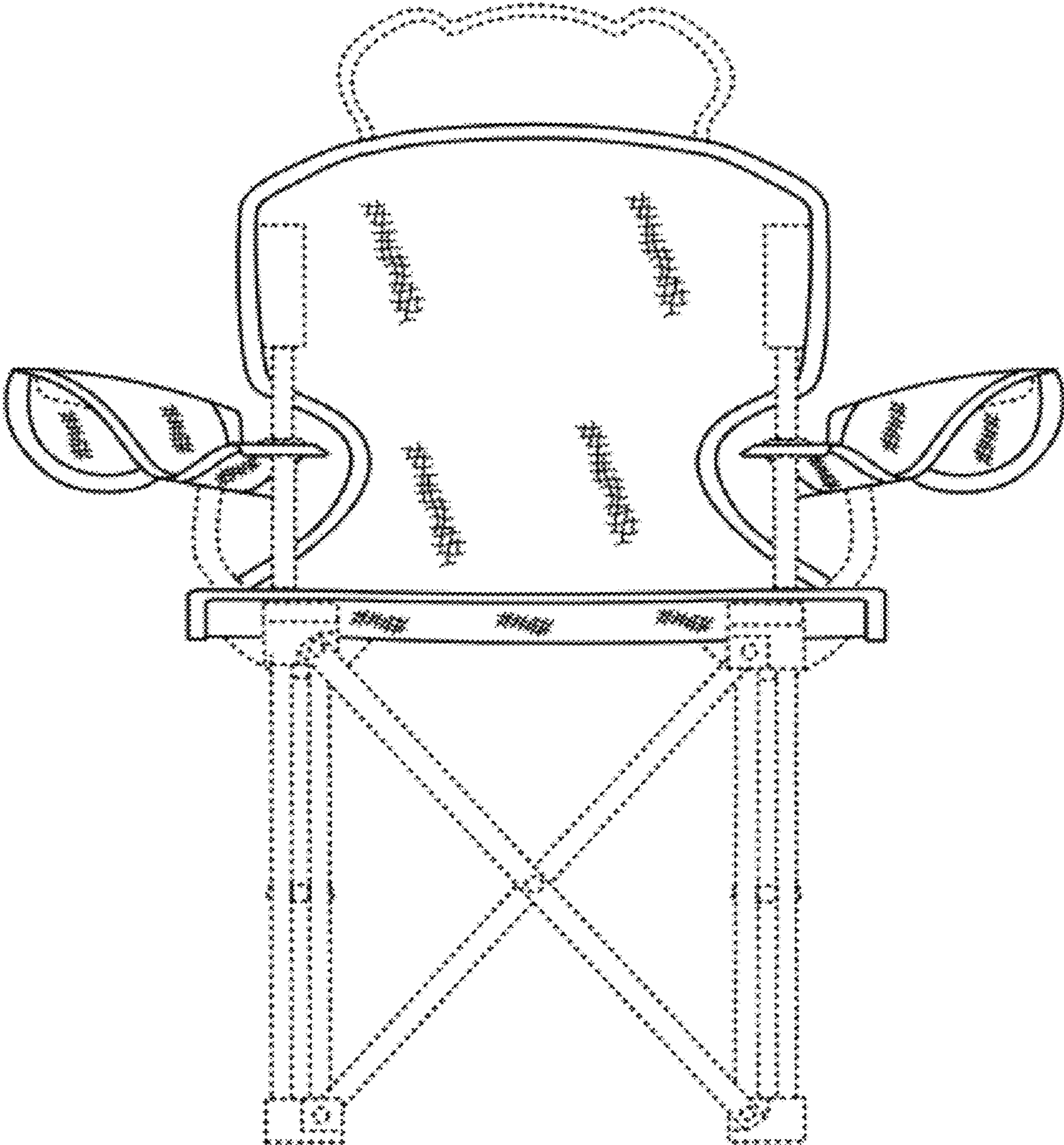


FIG. 1

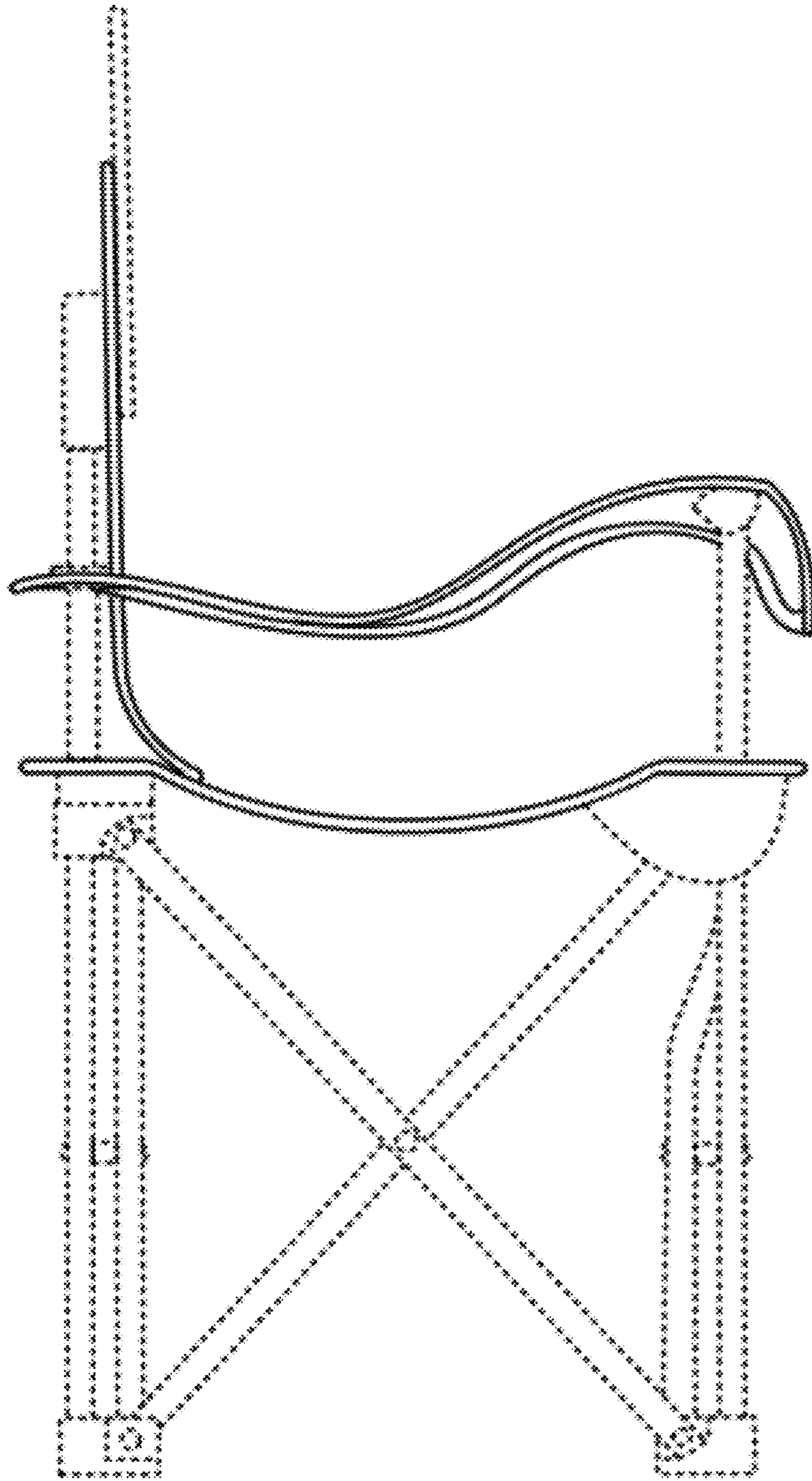




*FIG. 2*

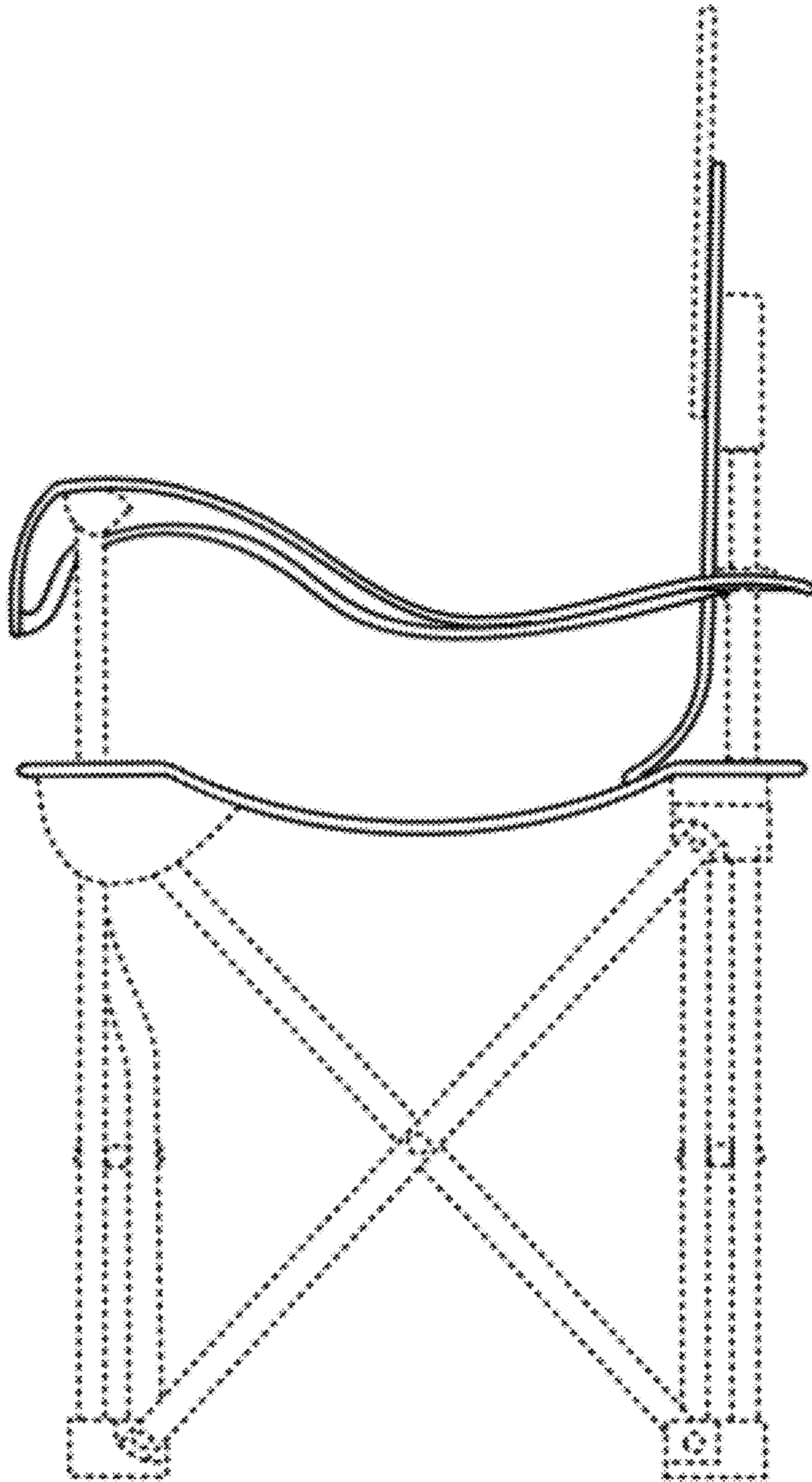


*FIG. 3*

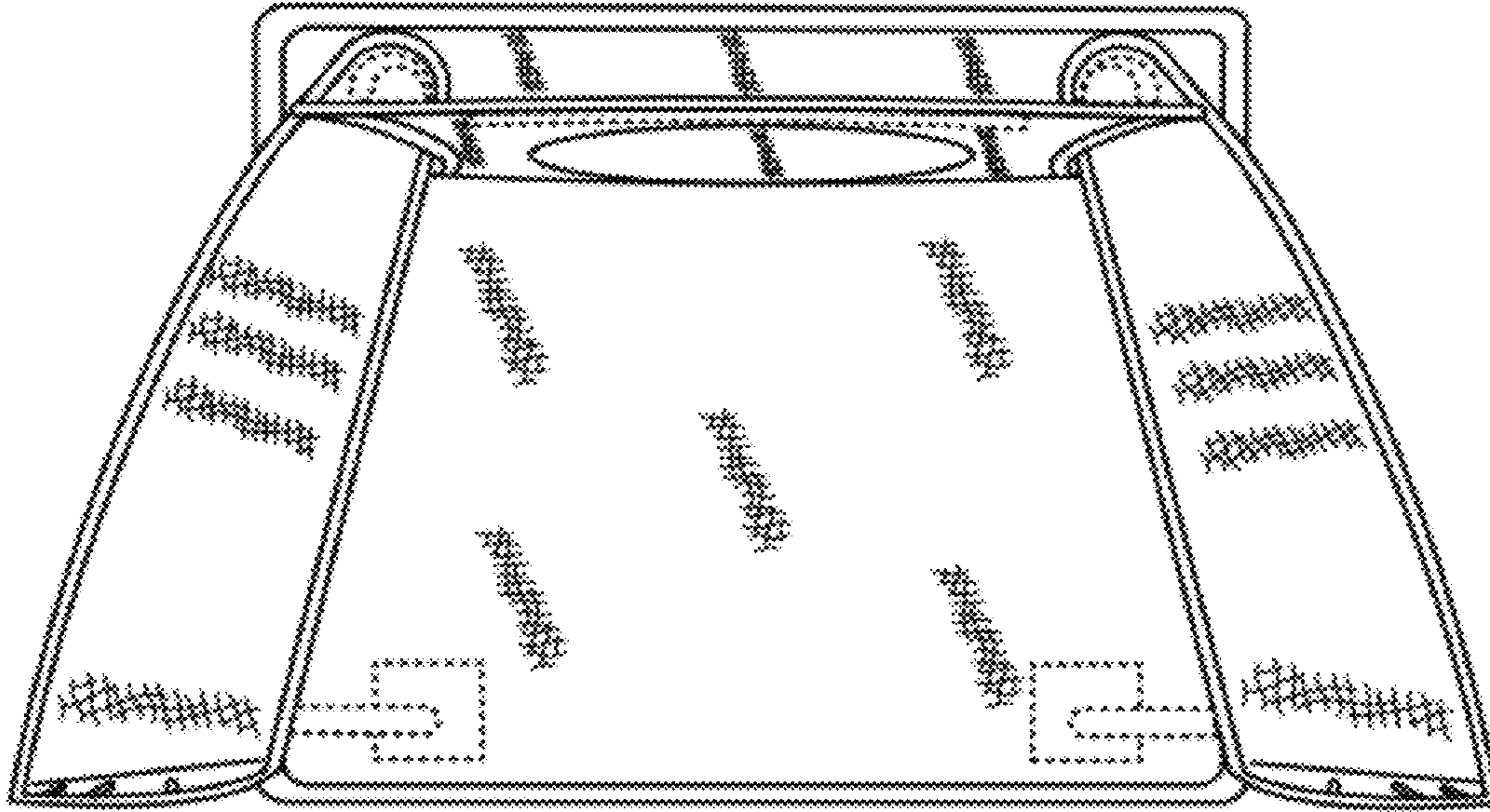


*FIG. 4*

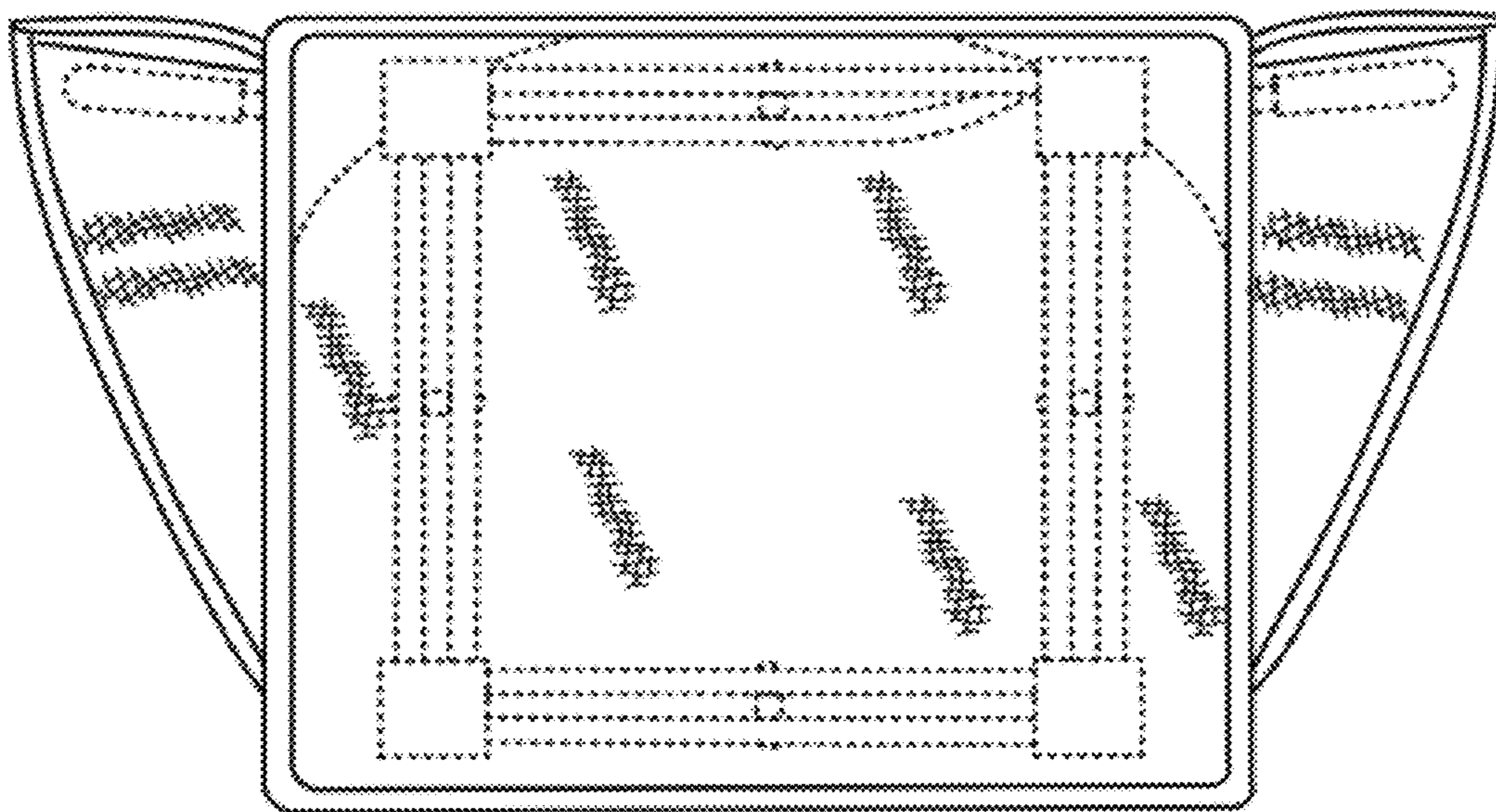




*FIG. 5*



*FIG. 6*



*FIG. 7*