



US00D663139S

(12) **United States Design Patent**
Zambelli

(10) **Patent No.:** **US D663,139 S**
(45) **Date of Patent:** **** Jul. 10, 2012**

(54) **AUDIO VIDEO SHELVING UNIT**

(75) Inventor: **Michael P. Zambelli**, Basking Ridge, NJ (US)

(73) Assignee: **Bell'O International Corp.**, Morganville, NJ (US)

(**) Term: **14 Years**

(21) Appl. No.: **29/382,387**

(22) Filed: **Jan. 3, 2011**

(51) **LOC (9) Cl.** **06-04**

(52) **U.S. Cl.** **D6/470**

(58) **Field of Classification Search** D6/432,
D6/436, 437, 438, 439, 445, 446, 448, 470-472,
D6/477, 478, 479; 312/7.2, 9.1, 109, 114,
312/117, 138.1, 204, 237, 257.1, 278, 279;
108/92, 96

See application file for complete search history.

(56) **References Cited**

U.S. PATENT DOCUMENTS

D454,731 S	3/2002	Niitsu et al.	
D458,053 S	6/2002	Luong	
D459,118 S	6/2002	Antonioni	
D472,073 S	3/2003	de Carolis	
D472,074 S	3/2003	de Carolis	
D472,075 S	3/2003	de Carolis	
D489,548 S	5/2004	Malizia et al.	
D491,748 S	6/2004	de Carolis	
D491,749 S	6/2004	Malizia et al.	
D491,750 S	6/2004	Bertoncini et al.	
D491,753 S	6/2004	de Carolis	
D492,860 S	7/2004	Bertoncini et al.	
D493,982 S	8/2004	de Carolis	
D496,807 S	10/2004	de Carolis	
D497,060 S	10/2004	Chang et al.	
D497,061 S	10/2004	Decarolis	
D499,274 S *	12/2004	Juneau et al. D6/436

D505,573 S	5/2005	Malizia
D506,329 S	6/2005	Sexton
D507,433 S	7/2005	Portnoy
D507,900 S	8/2005	Sexton
D508,172 S	8/2005	Malizia et al.
D515,337 S	2/2006	de Carolis
D515,849 S	2/2006	Niu
D516,838 S	3/2006	Portnoy
D516,840 S	3/2006	de Carolis
D516,847 S	3/2006	Stenhouse et al.
D519,757 S	5/2006	Portnoy
D524,080 S	7/2006	Stenhouse et al.
D524,578 S	7/2006	Stenhouse et al.

(Continued)

OTHER PUBLICATIONS

Bell'O 2005/06 Product Catalog.

Primary Examiner — Mimoso De

(74) *Attorney, Agent, or Firm* — Lerner, David, Littenberg, Krumholz & Mentlik, LLP

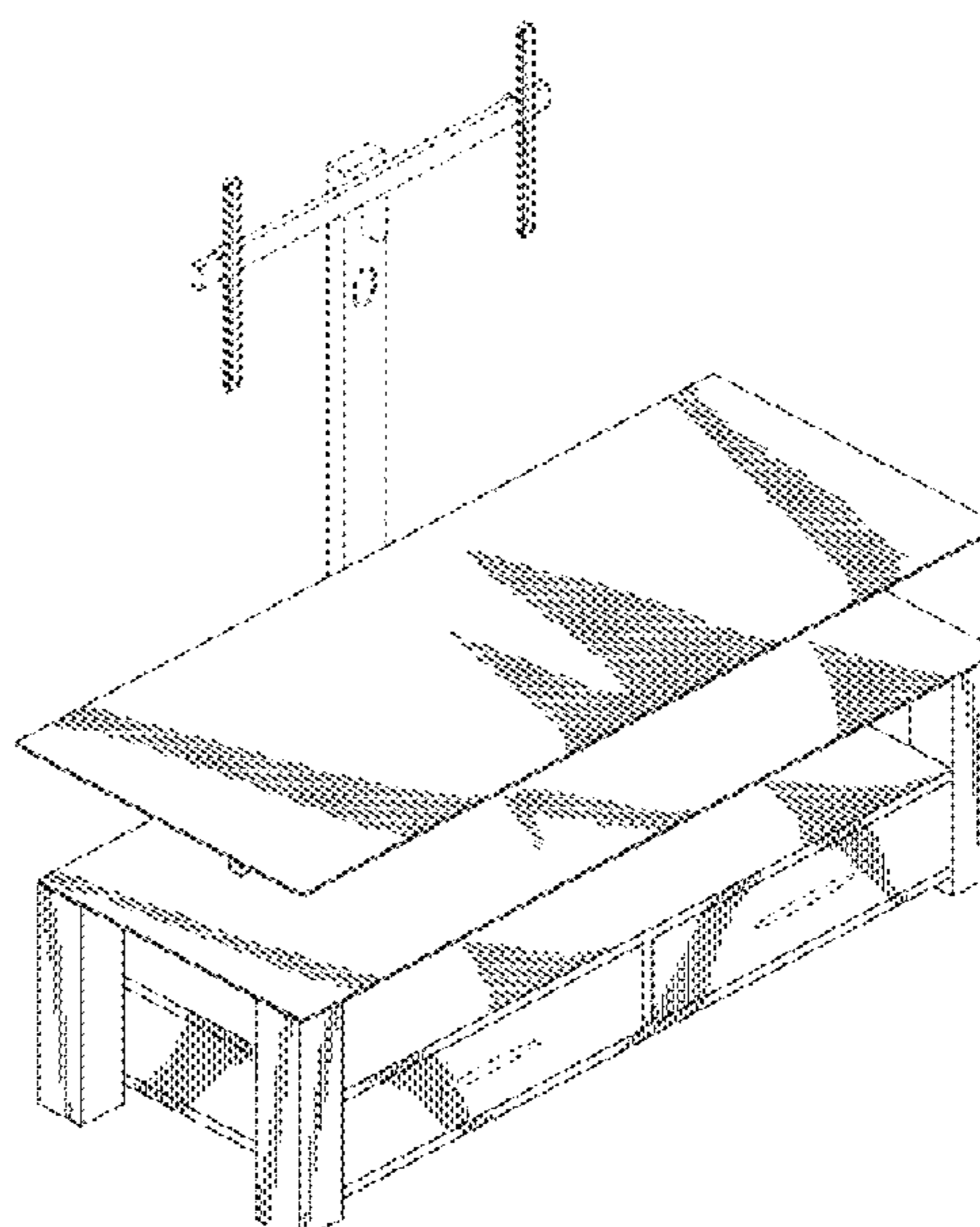
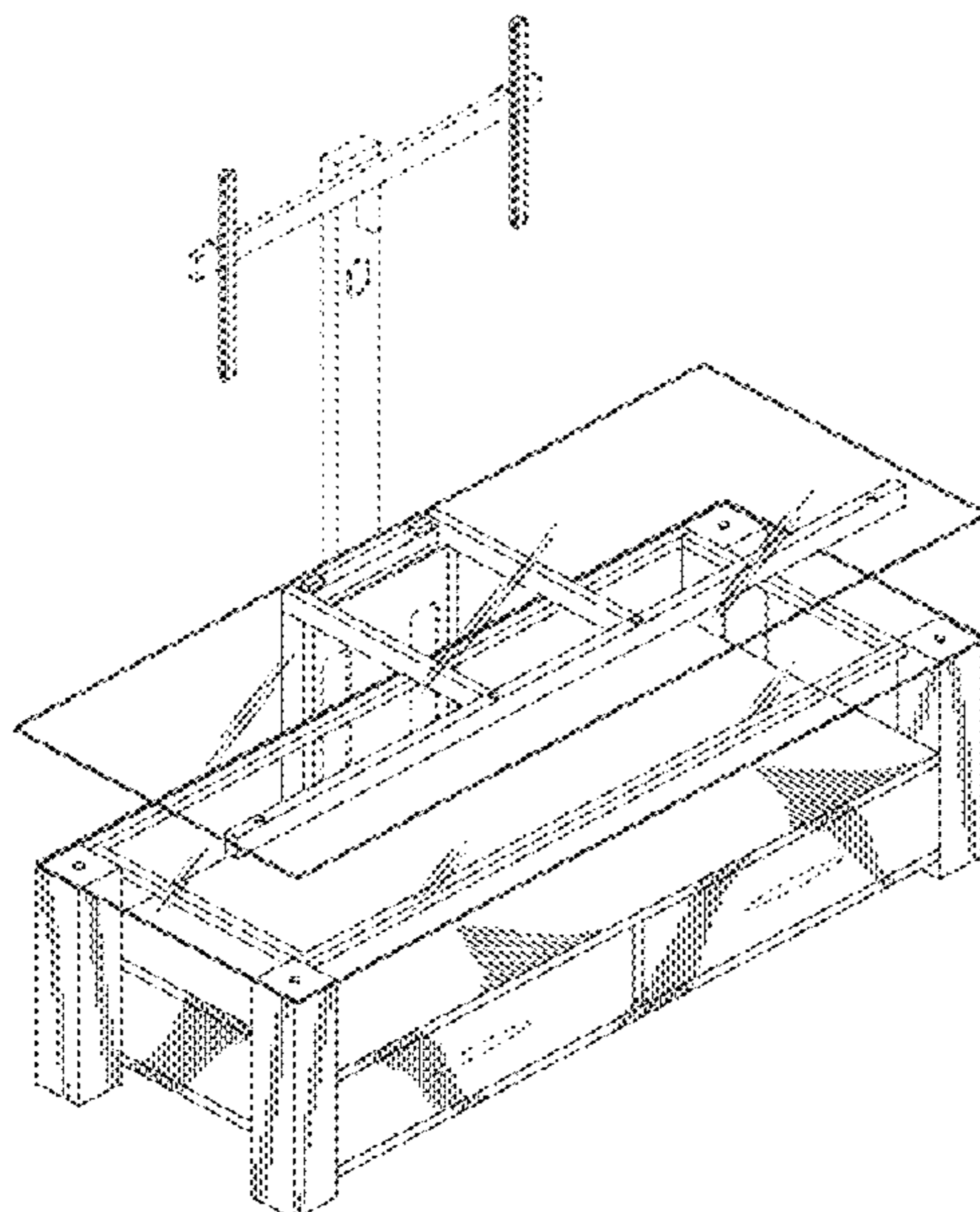
(57) **CLAIM**

The ornamental design for audio video shelving unit, as shown and described.

DESCRIPTION

FIG. 1 is a front perspective view of the subject audio video shelving unit;
FIG. 2 is a front view thereof;
FIG. 3 is a rear view thereof;
FIG. 4 is a right side view thereof (the left side view is a mirror image of the right side view); and
FIG. 5 is a top plan view thereof.
FIG. 6 is a front perspective view of a second embodiment of the subject audio video shelving unit; and,
FIG. 7 is a top plan view of the second embodiment.
The broken lines shown on the drawings are included for the purpose of illustration and form no part of the claimed design.

1 Claim, 7 Drawing Sheets



US D663,139 S

Page 2

U.S. PATENT DOCUMENTS

D525,052 S	7/2006	Malizia et al.	
D525,054 S	7/2006	Stenhouse et al.	
D527,208 S	8/2006	Malizia et al.	
D532,624 S	* 11/2006	Juneau	D6/436
D535,497 S	1/2007	Portnoy	
D537,656 S	3/2007	Stenhouse et al.	
D540,067 S	4/2007	Chung	
D542,059 S	5/2007	Moyle et al.	
D543,729 S	6/2007	Weatherly	
D546,095 S	* 7/2007	Sexton	D6/477
D549,991 S	9/2007	Stravitz	
D554,393 S	11/2007	Yalif	
D555,397 S	11/2007	Yalif	
D559,583 S	1/2008	Zambelli	
D559,584 S	1/2008	Zambelli	
D560,077 S	* 1/2008	Zambelli	D6/436
D560,401 S	1/2008	Hoglan et al.	
D562,593 S	2/2008	Zambelli	
D563,695 S	3/2008	Yamaguchi	
D564,260 S	3/2008	deCarolis	
D564,261 S	3/2008	Sculler	
D564,789 S	3/2008	deCarolis	
D564,796 S	3/2008	Zambelli	
D564,797 S	3/2008	Yamaguchi	
D586,584 S	* 2/2009	Hung	D6/470
D587,483 S	3/2009	Zambelli	
D587,496 S	3/2009	Weitz	
D587,497 S	3/2009	Zambelli	
D589,280 S	3/2009	Zambelli	
D590,636 S	4/2009	Ou Yang et al.	
D590,637 S	4/2009	Portnoy	
D592,428 S	5/2009	Zambelli	
D594,248 S	6/2009	Zambelli	
D595,978 S	7/2009	Portnoy et al.	
D599,584 S	9/2009	Zambelli	
D604,251 S	11/2009	Hwang	
D605,874 S	12/2009	Zambelli	
D610,836 S	3/2010	Kohler	

* cited by examiner

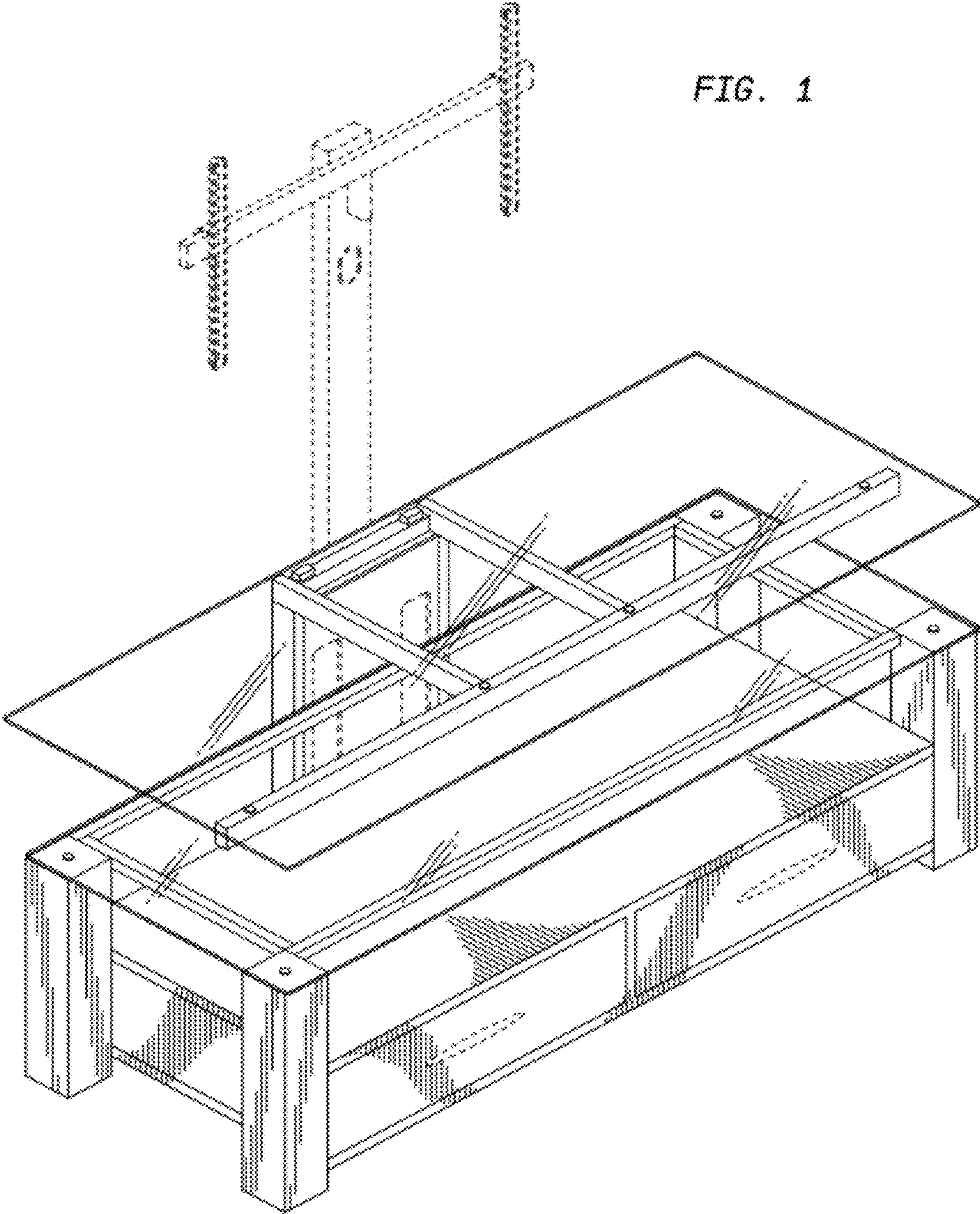


FIG. 1

FIG. 2

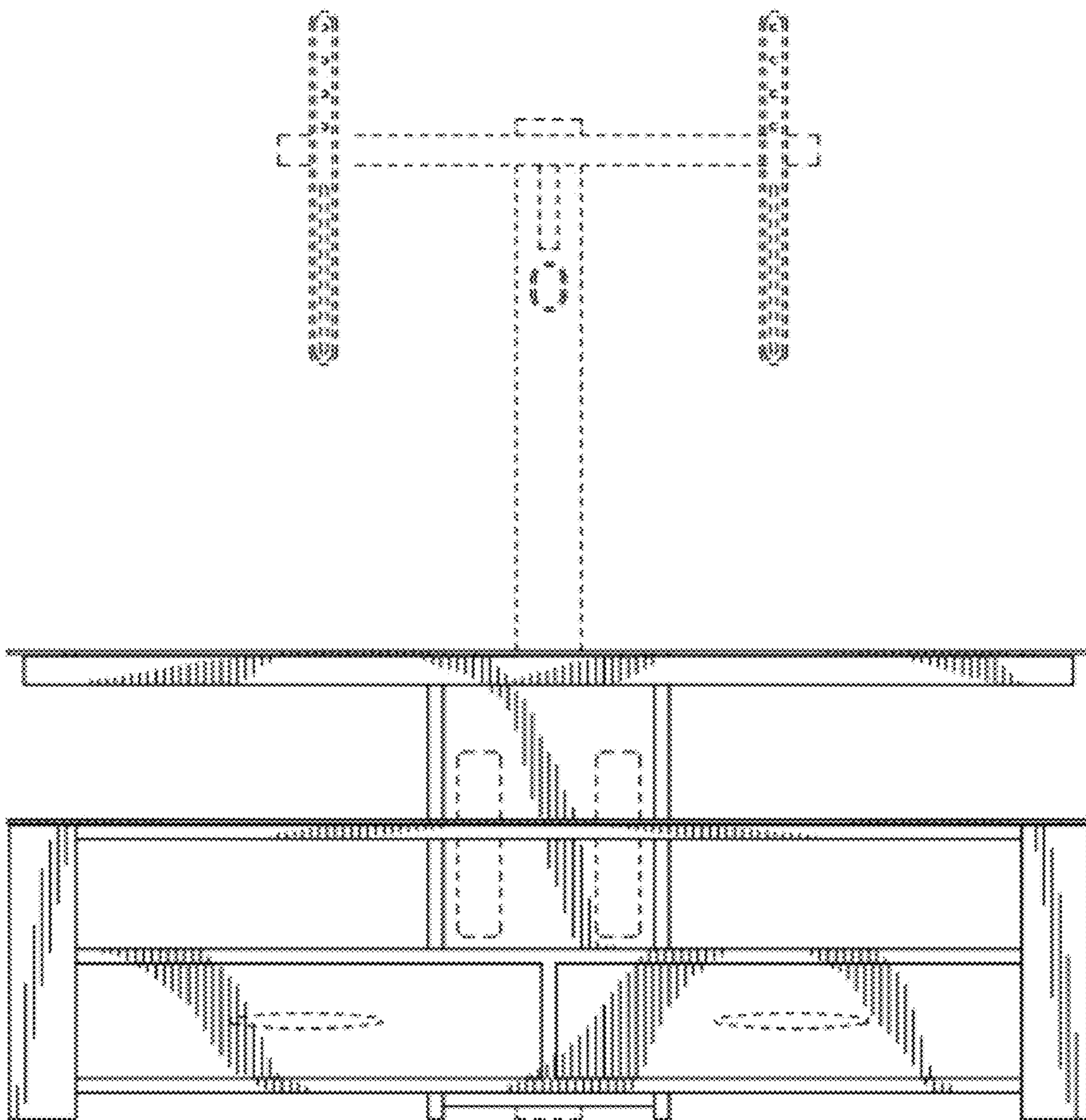


FIG. 3

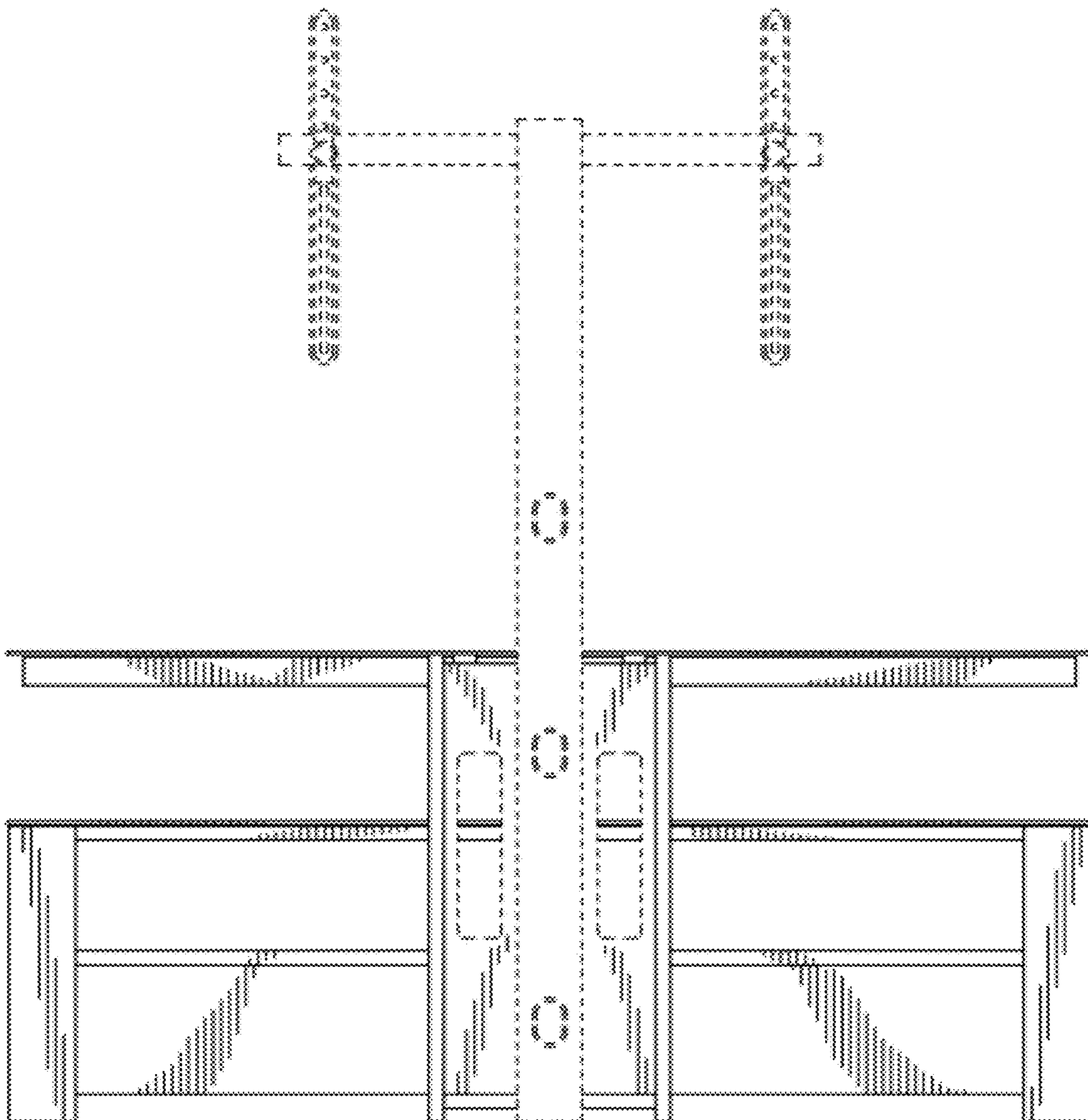


FIG. 4

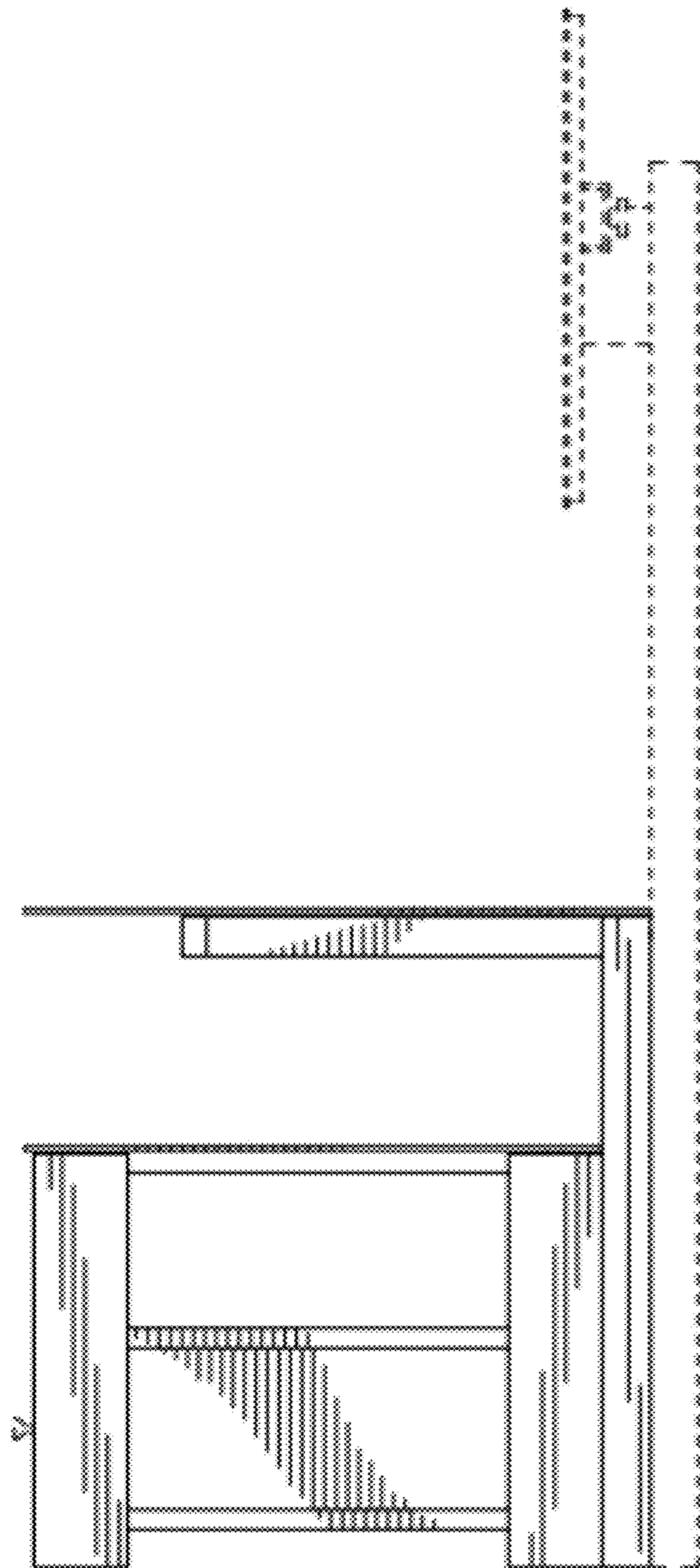
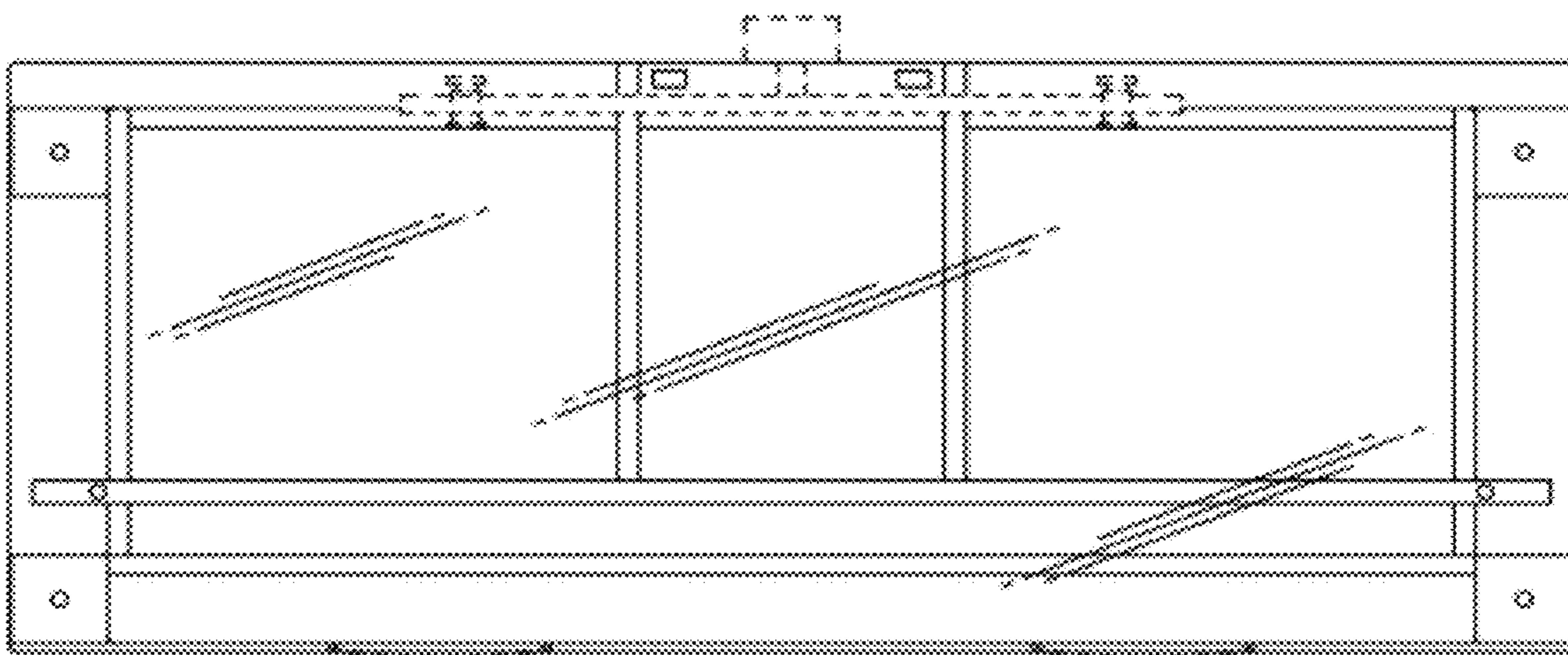


FIG. 5



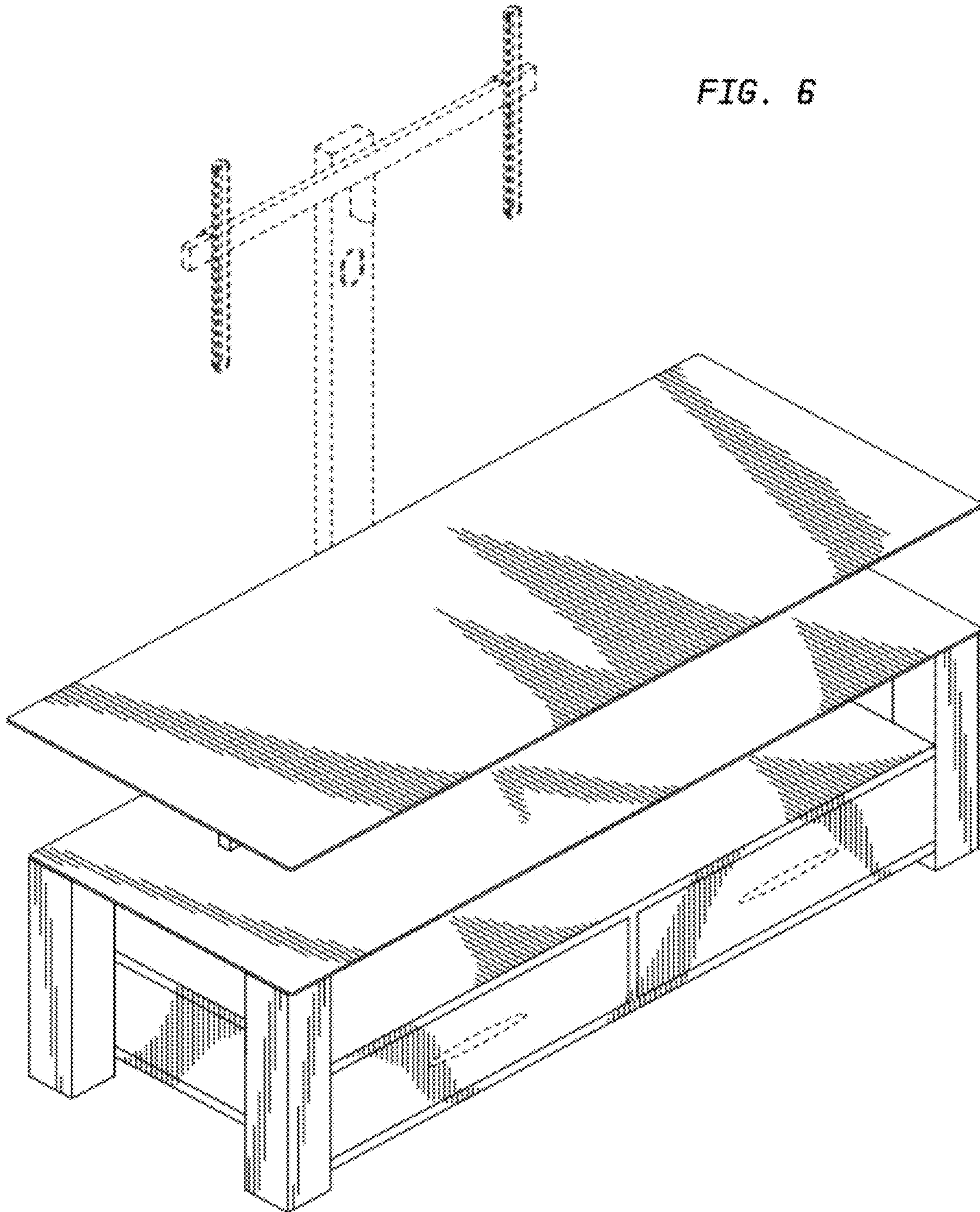


FIG. 6

FIG. 7

