

US00D663137S

(12) **United States Design Patent**  
**Andersen**

(10) **Patent No.:** **US D663,137 S**  
(45) **Date of Patent:** **\*\* Jul. 10, 2012**

- (54) **AUDIO VIDEO SHELVING UNIT**
- (75) Inventor: **Michael Andersen**, Montclair, NJ (US)
- (73) Assignee: **Bell'O International Corp.**,  
Morganville, NJ (US)
- (\*\*) Term: **14 Years**
- (21) Appl. No.: **29/382,379**
- (22) Filed: **Jan. 3, 2011**
- (51) **LOC (9) Cl.** ..... **06-04**
- (52) **U.S. Cl.** ..... **D6/470**
- (58) **Field of Classification Search** ..... D6/432,  
D6/436, 437, 438, 439, 445, 446, 448, 470,  
D6/477, 478, 479; 312/7.2, 9.1, 109, 114,  
312/117, 138.1, 204, 237, 257.1, 278, 279  
See application file for complete search history.

- D506,329 S 6/2005 Sexton
- D507,428 S \* 7/2005 Weatherly ..... D6/437
- D507,433 S 7/2005 Portnoy
- D507,900 S 8/2005 Sexton
- D508,172 S 8/2005 Malizia et al.
- D515,337 S 2/2006 deCarolis
- D516,838 S 3/2006 Portnoy
- D516,840 S 3/2006 deCarolis
- D516,847 S 3/2006 Stenhouse et al.
- D519,757 S 5/2006 Portnoy
- D524,080 S 7/2006 Stenhouse et al.
- D525,052 S 7/2006 Malizia et al.
- D525,054 S 7/2006 Stenhouse et al.
- D527,208 S 8/2006 Malizia et al.
- D535,497 S 1/2007 Portnoy
- D537,656 S 3/2007 Stenhouse et al.
- D548,488 S \* 8/2007 Weatherly ..... D6/470
- D549,991 S 9/2007 Stravitz
- D554,393 S 11/2007 Yalif

(Continued)

*Primary Examiner* — Mimosa De  
(74) *Attorney, Agent, or Firm* — Lerner, David, Littenberg,  
Krumholz & Mentlik, LLP

(56) **References Cited**

U.S. PATENT DOCUMENTS

- D193,516 S \* 9/1962 Deaton ..... D6/436
- D244,820 S \* 6/1977 Freeman ..... D6/434
- D398,788 S \* 9/1998 Schubert ..... D6/436
- D446,047 S \* 8/2001 Stone et al. .... D6/445
- D454,731 S 3/2002 Niitsu et al.
- D458,053 S 6/2002 Luong
- D472,073 S 3/2003 de Carolis
- D472,074 S 3/2003 de Carolis
- D472,075 S 3/2003 de Carolis
- D489,548 S 5/2004 Malizia et al.
- D491,748 S 6/2004 deCarolis
- D491,749 S 6/2004 Malizia et al.
- D491,750 S 6/2004 Bertoncini et al.
- D491,753 S 6/2004 deCarolis
- D492,860 S 7/2004 Bertoncini et al.
- D493,982 S 8/2004 deCarolis
- D496,807 S 10/2004 deCarolis
- D497,060 S 10/2004 Chang et al.
- D497,061 S 10/2004 Decarolis
- D505,573 S 5/2005 Malizia

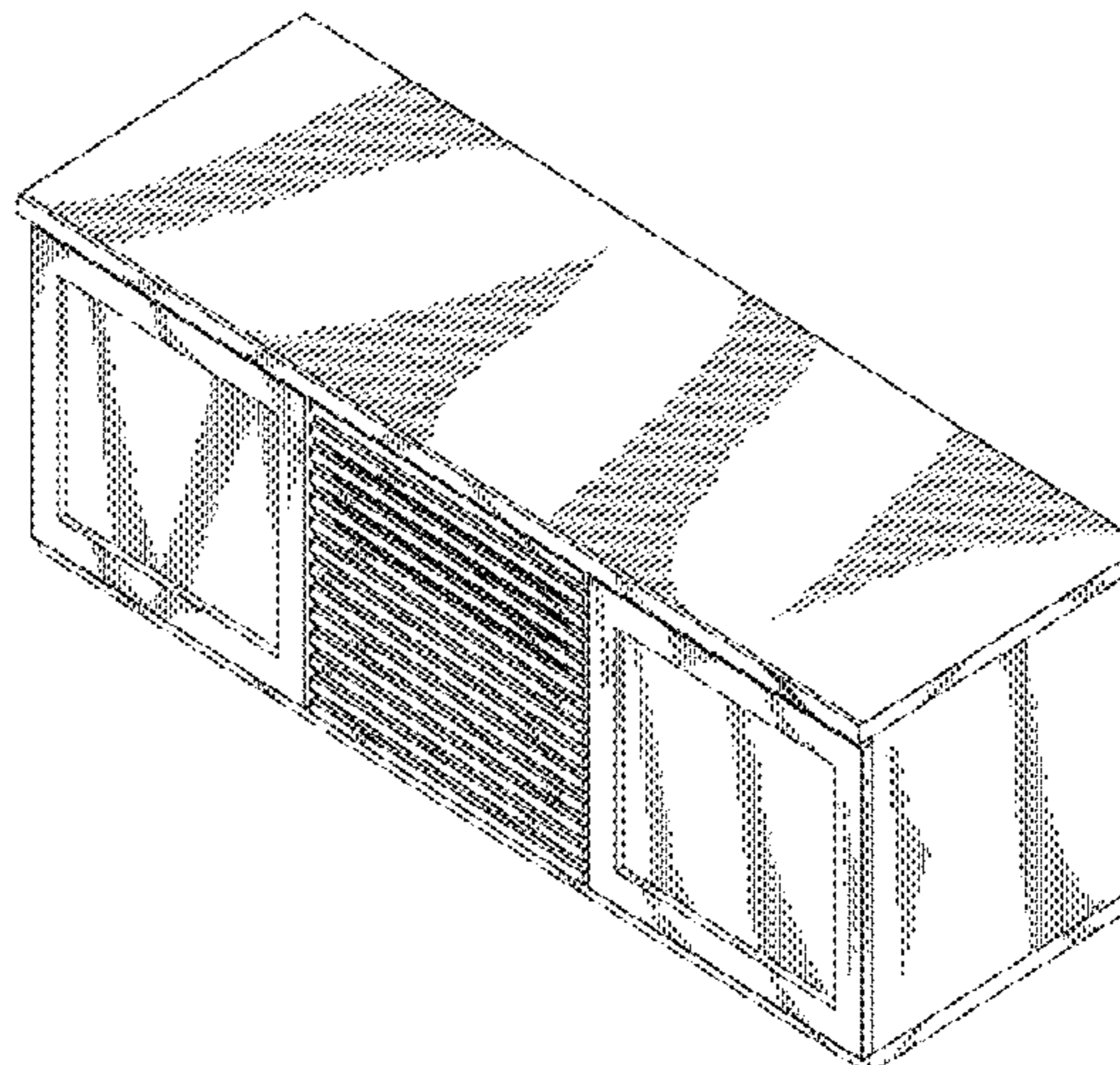
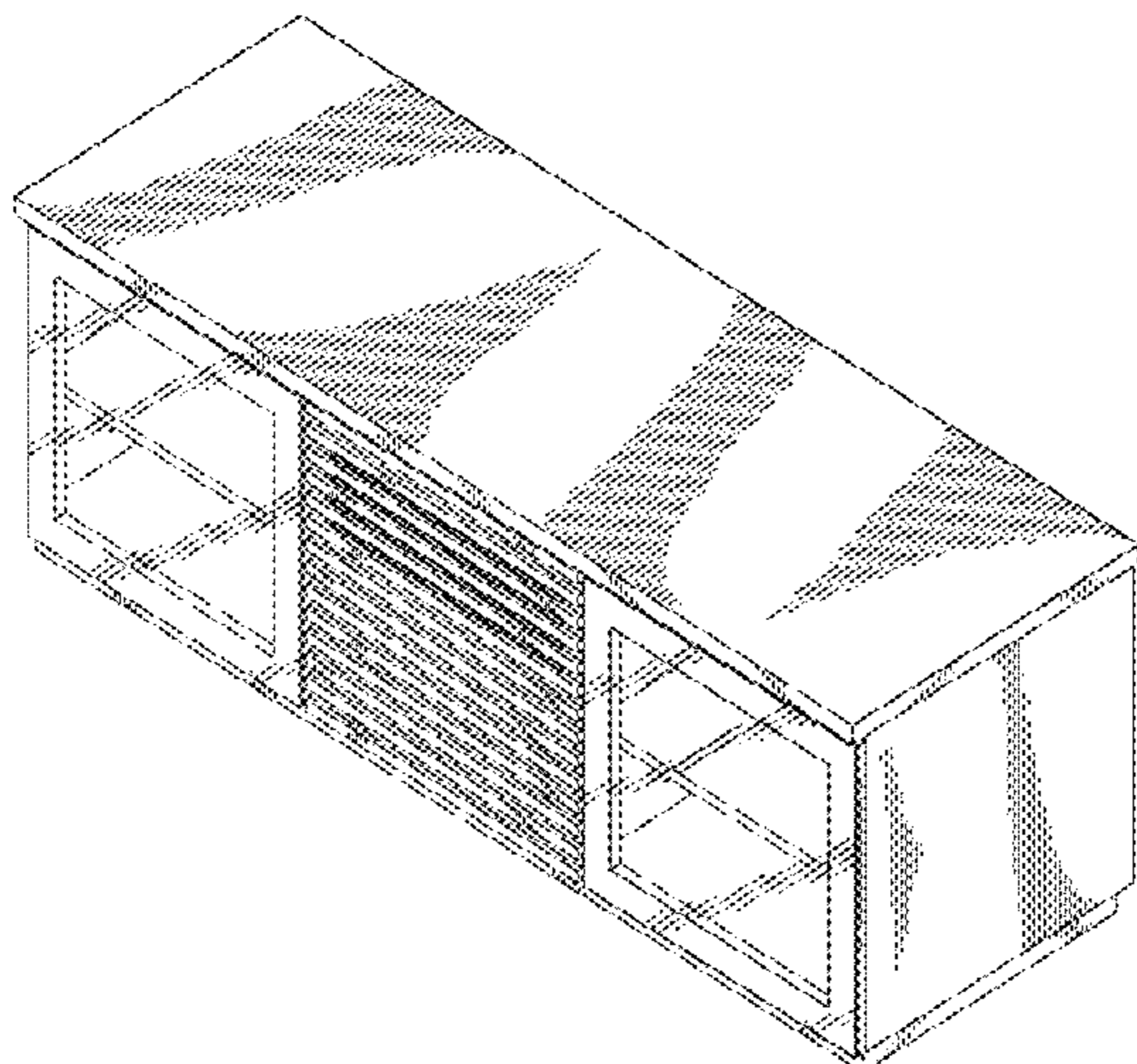
(57) **CLAIM**

The ornamental design for audio video shelving unit, as shown and described.

**DESCRIPTION**

FIG. 1 is a front perspective view of the subject audio video shelving unit;  
FIG. 2 is a front view thereof;  
FIG. 3 is a rear view thereof;  
FIG. 4 is a top plan view thereof;  
FIG. 5 is a right side view thereof (the left side view is a mirror image of the right side view); and,  
FIG. 6 is a front perspective view of a second embodiment of the subject audio video shelving unit.  
The broken lines shown on the drawings are included for the purpose of illustration and form no part of the claimed design.

**1 Claim, 6 Drawing Sheets**



# US D663,137 S

Page 2

---

## U.S. PATENT DOCUMENTS

D555,397 S	11/2007	Yalif		D562,593 S	2/2008	Zambelli	
D559,583 S	1/2008	Zambelli		D564,260 S	3/2008	deCarolis	
D559,584 S	1/2008	Zambelli		D564,789 S	3/2008	deCarolis	
D559,585 S *	1/2008	Lara .....	D6/436	D564,796 S	3/2008	Zambelli	
D560,077 S	1/2008	Zambelli		D588,835 S *	3/2009	Domack et al. ....	D6/445
D560,929 S *	2/2008	Woodward et al. ....	D6/446	D630,453 S *	1/2011	Rafieha .....	D6/436
D560,930 S *	2/2008	Woodward et al. ....	D6/446	D632,902 S *	2/2011	Rafieha .....	D6/470
D560,931 S *	2/2008	Woodward et al. ....	D6/446				

\* cited by examiner

FIG. 1

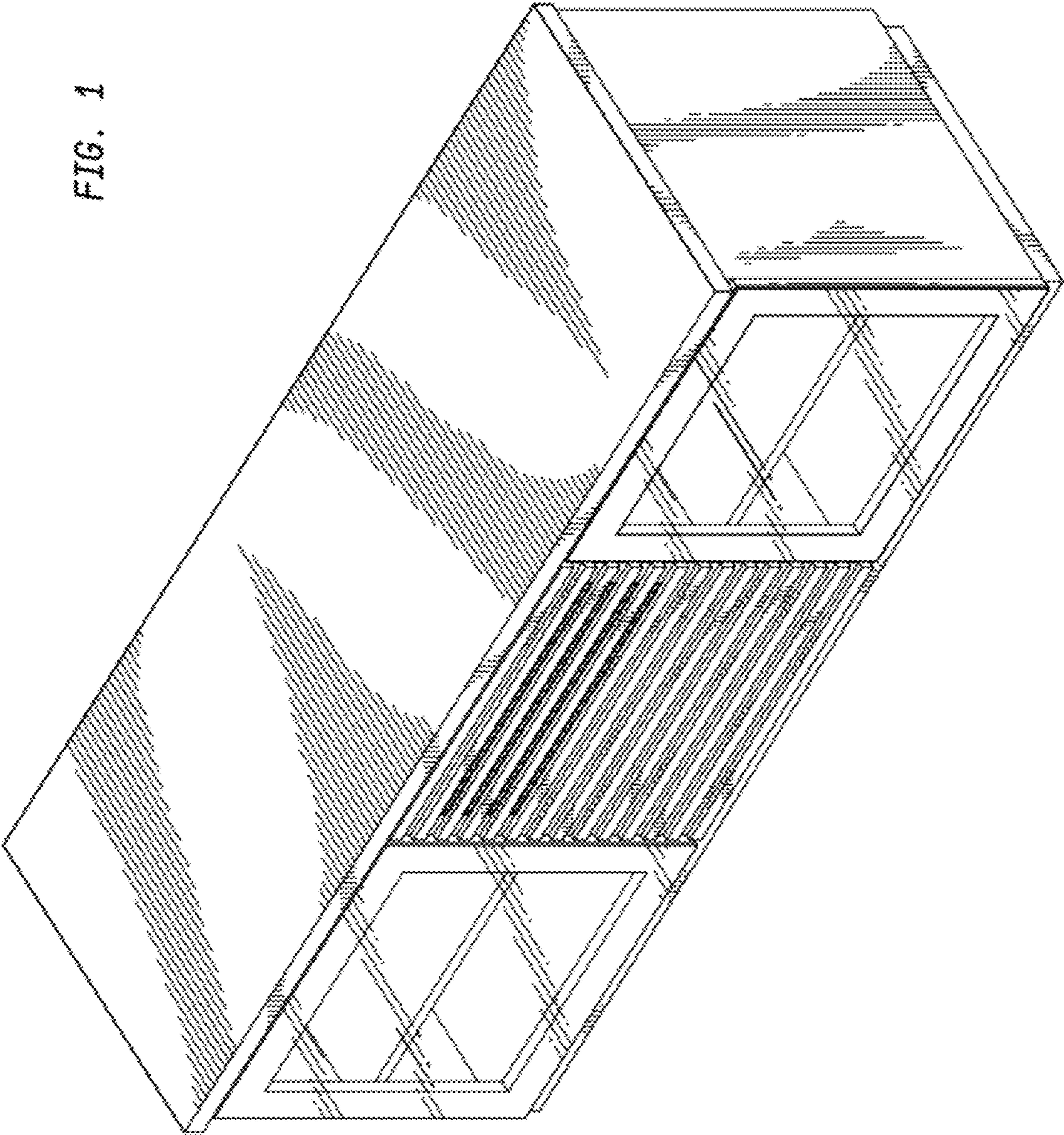


FIG. 2

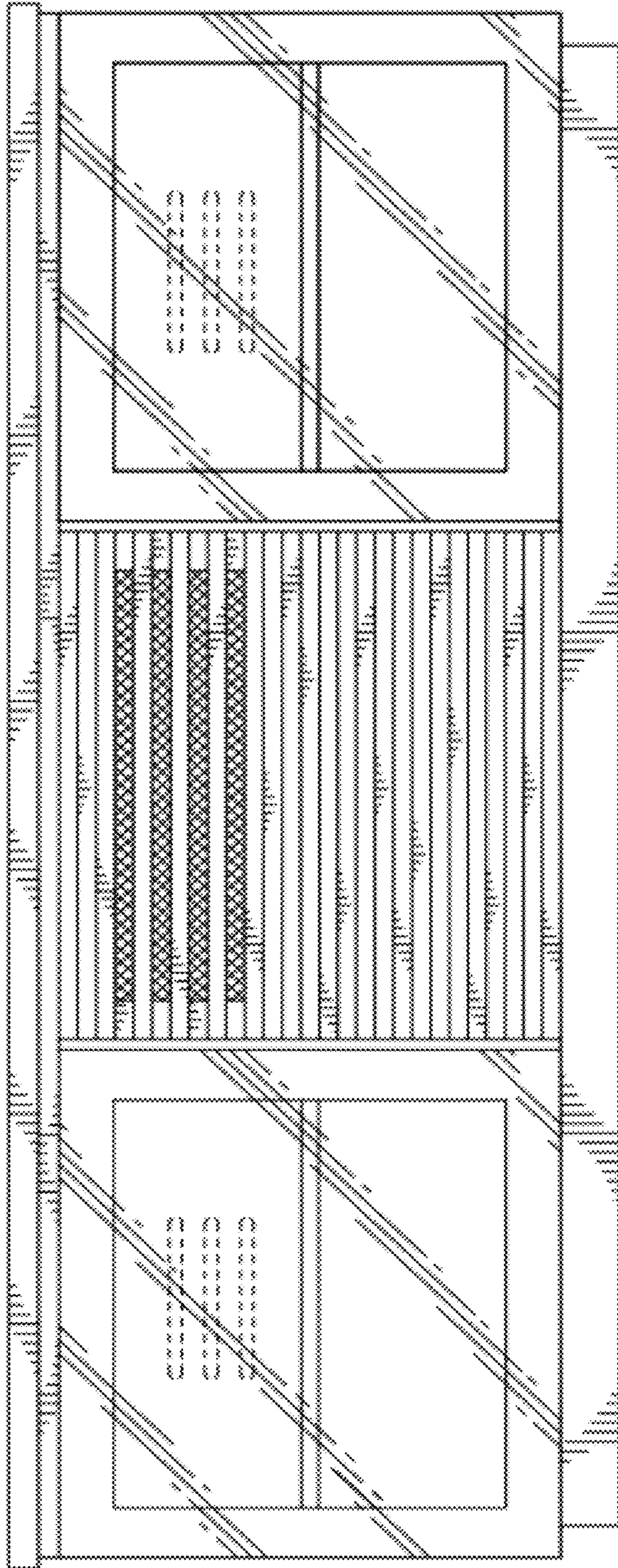


FIG. 3

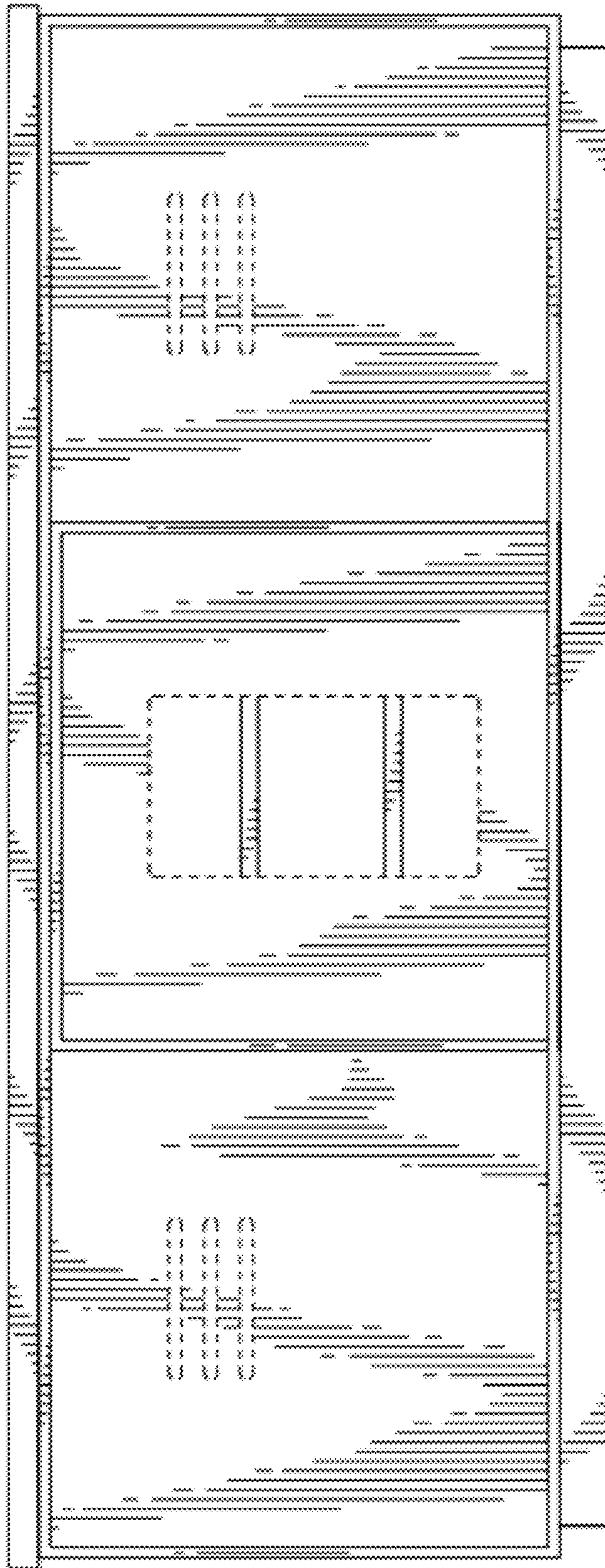


FIG. 4



FIG. 5

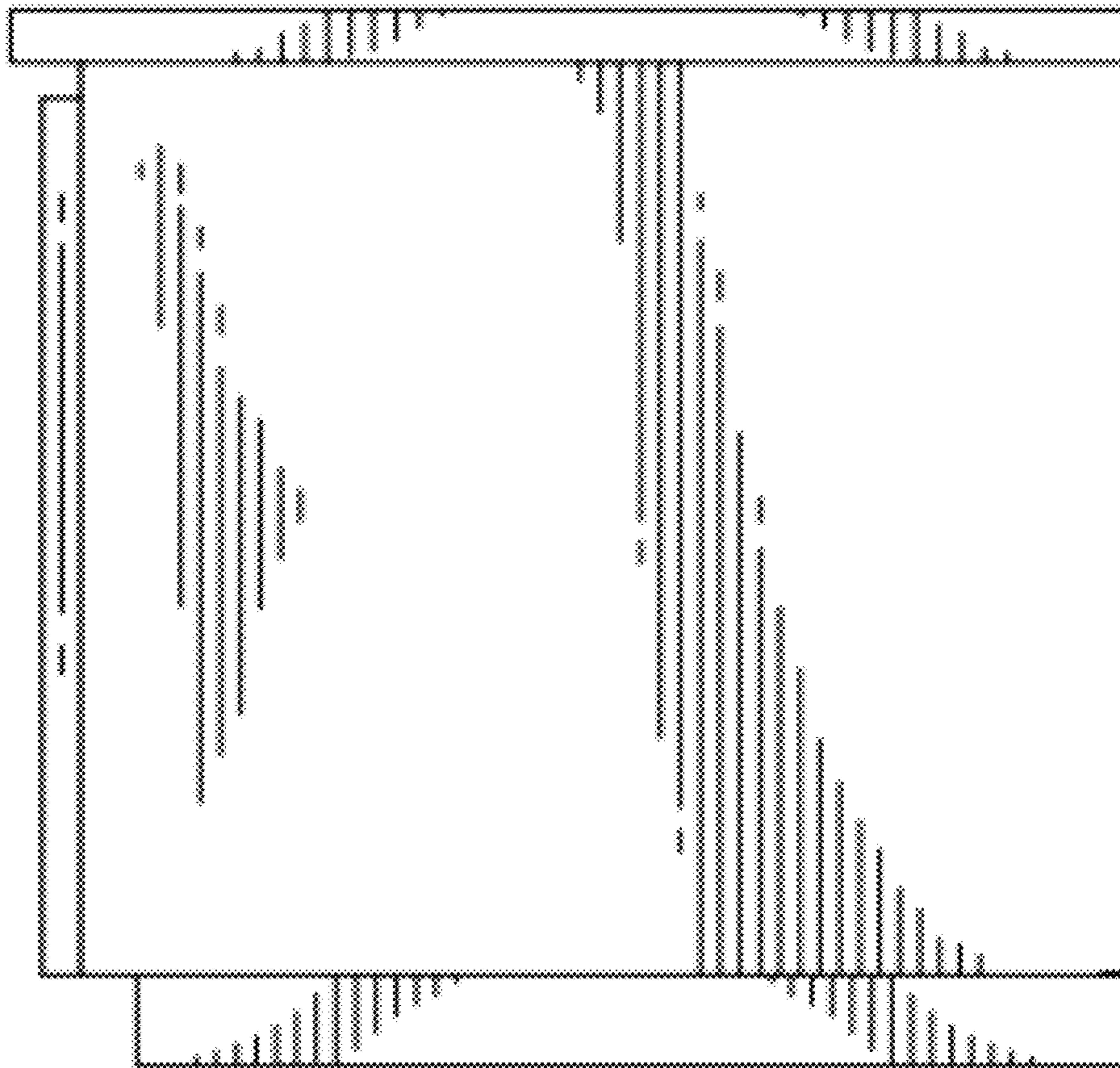


FIG. 6

