



US00D663133S

(12) **United States Design Patent**
Pelikan

(10) **Patent No.:** **US D663,133 S**

(45) **Date of Patent:** **** Jul. 10, 2012**

(54) **TABLE**

(75) Inventor: **Alexander Pelikan**, Eindhoven (NL)

(73) Assignee: **Broadview Holding B.V.** (NL)

(**) Term: **14 Years**

(21) Appl. No.: **29/392,487**

(22) Filed: **May 23, 2011**

(30) **Foreign Application Priority Data**

Jan. 18, 2011 (EM) 001806845

(51) **LOC (9) Cl.** **06-03**

(52) **U.S. Cl.** **D6/429; D6/480**

(58) **Field of Classification Search** D6/480-489,
D6/495-499, 429, 511; 108/150, 153.1,
108/156, 157.1, 161, 115, 124, 125, 129;
248/188, 188.1, 188.7, 188.8

See application file for complete search history.

(56) **References Cited**

U.S. PATENT DOCUMENTS

D179,900 S * 3/1957 Jones et al. D6/480

D470,349 S * 2/2003 Risdall D6/495

D593,769 S * 6/2009 Jeup D6/430

* cited by examiner

Primary Examiner — Janice Seeger

(74) *Attorney, Agent, or Firm* — Miller & Martin PLLC

(57) **CLAIM**

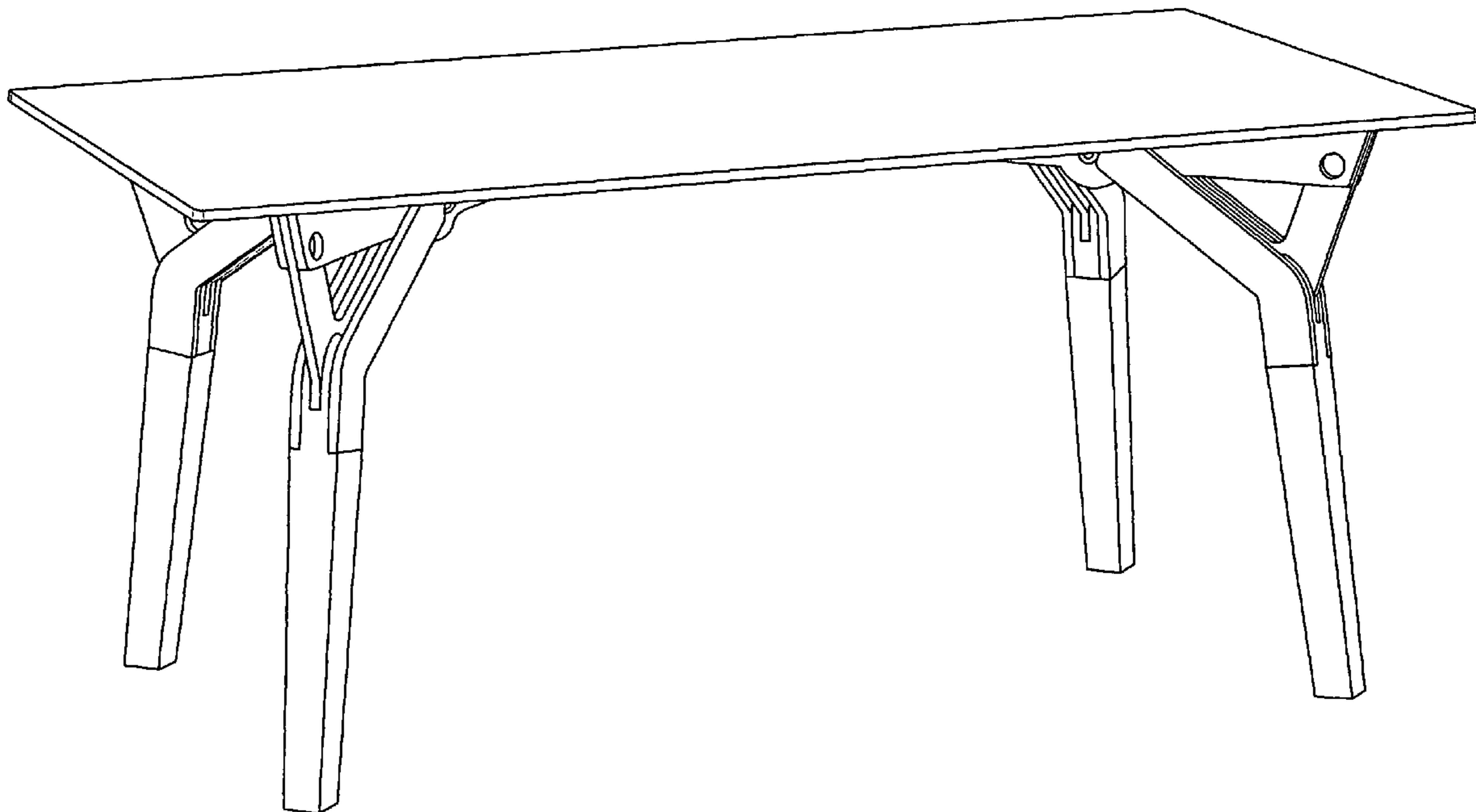
The ornamental design for the table, as shown and described.

DESCRIPTION

FIG. 1 is a top perspective view of the table;
FIG. 2 is a front plan view of the table shown in FIG. 1, the rear plan view being a mirror image thereof;
FIG. 3 is a left plan view of the table shown in FIG. 1, the right plan view being a mirror image thereof;
FIG. 4 is a top plan view of the table shown in FIG. 1;
FIG. 5 is a bottom plan view of the table shown in FIG. 1; and,
FIG. 6 is an inverted quarter angle plan view of the table, turned 45° counter-clockwise from the view of the table shown in FIG. 3, shown with one table leg partially folded, the inverted quarter-angle plan view, turned 45° clockwise from the view of the table shown in FIG. 3, being a mirror image thereof.

The broken lines in FIG. 1 through FIG. 6 are for environmental purposes only and form no part of the claimed design.

1 Claim, 6 Drawing Sheets



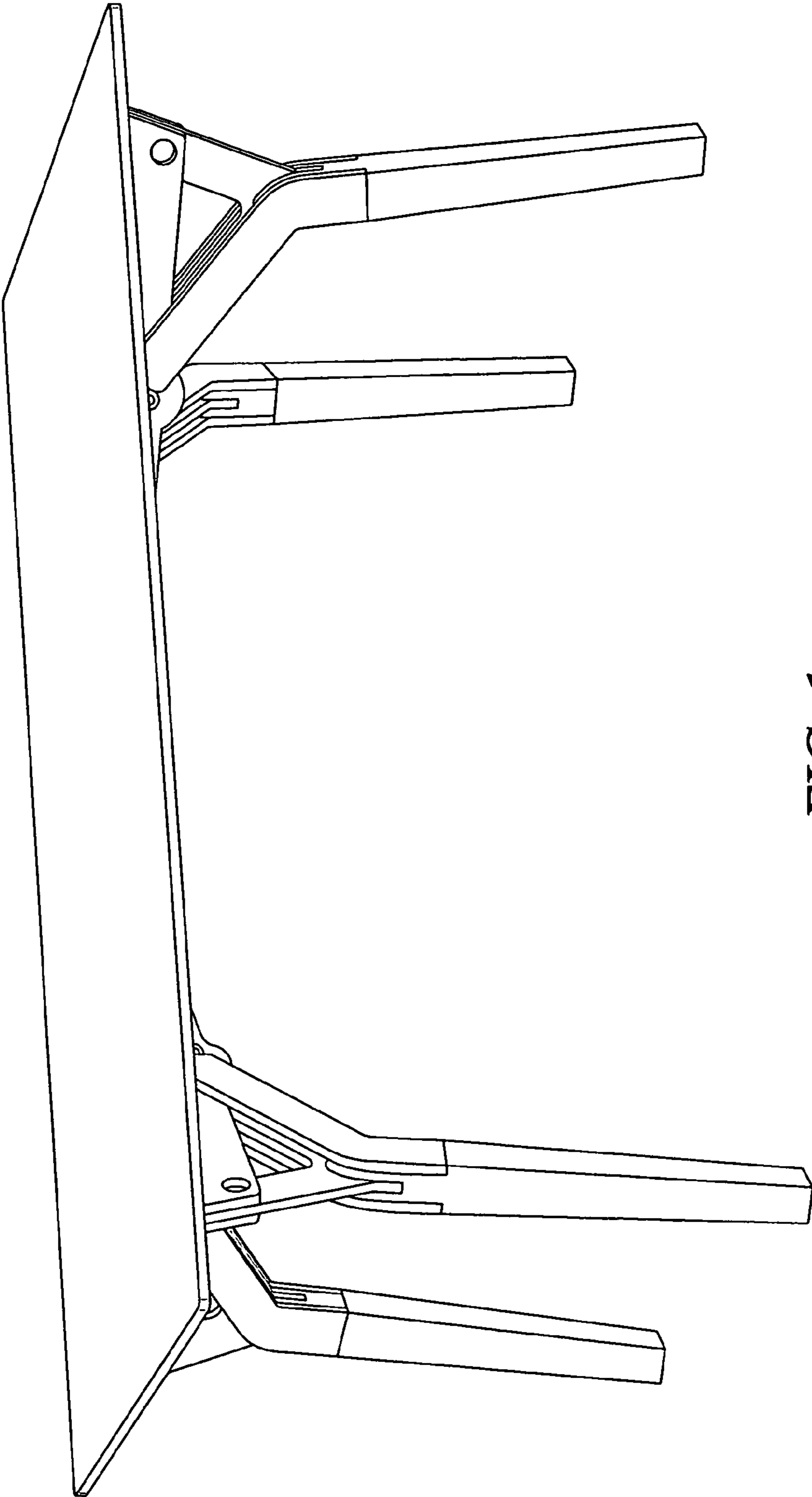


FIG. 1

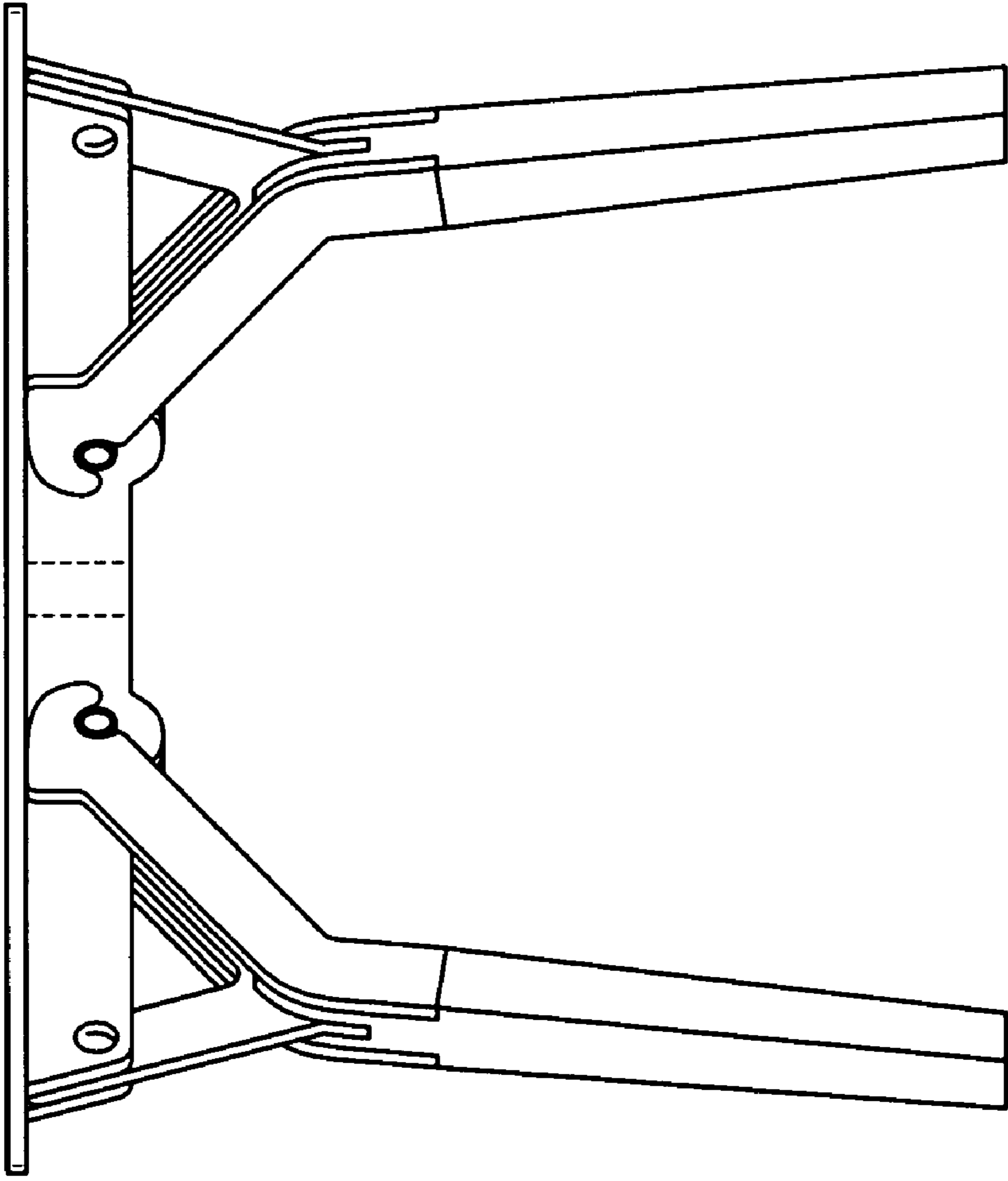


FIG. 2

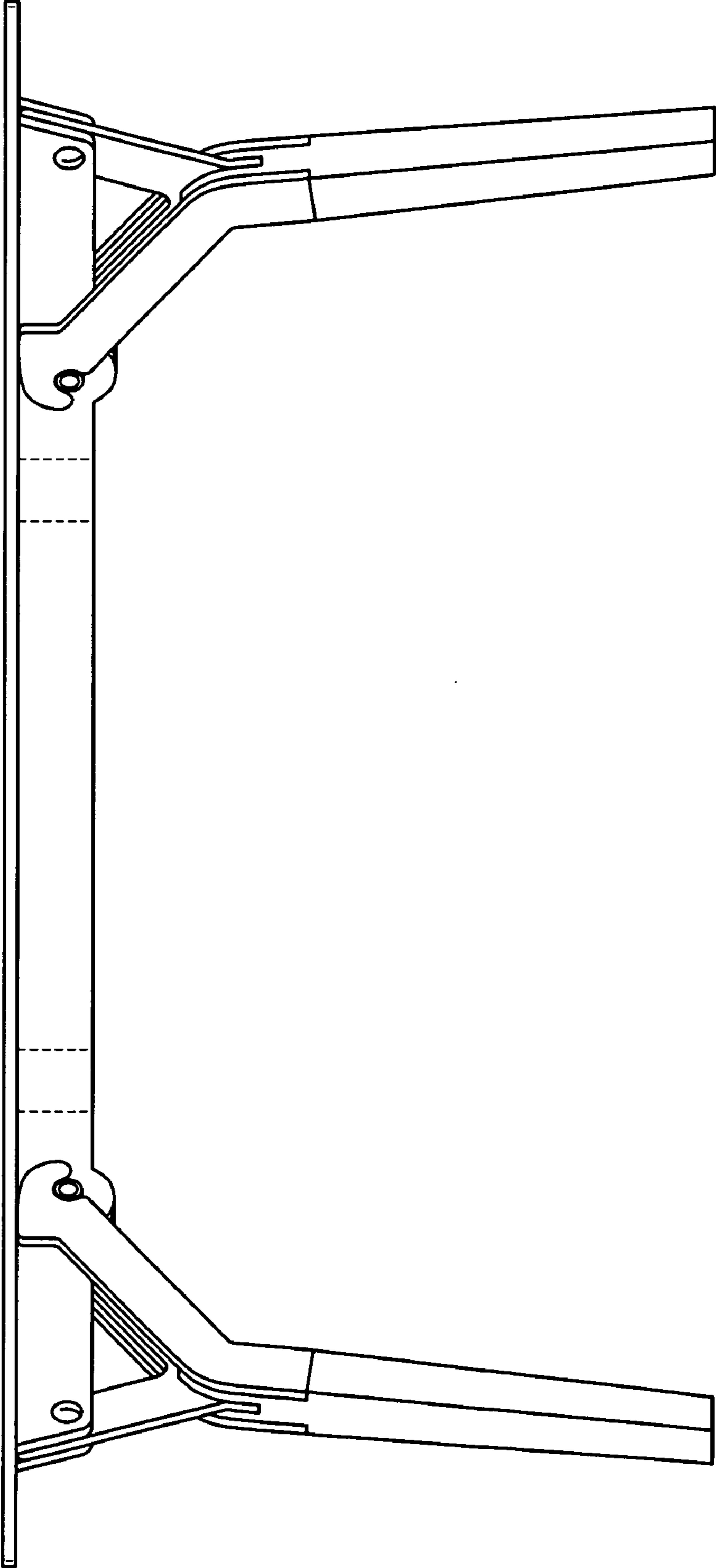


FIG. 3

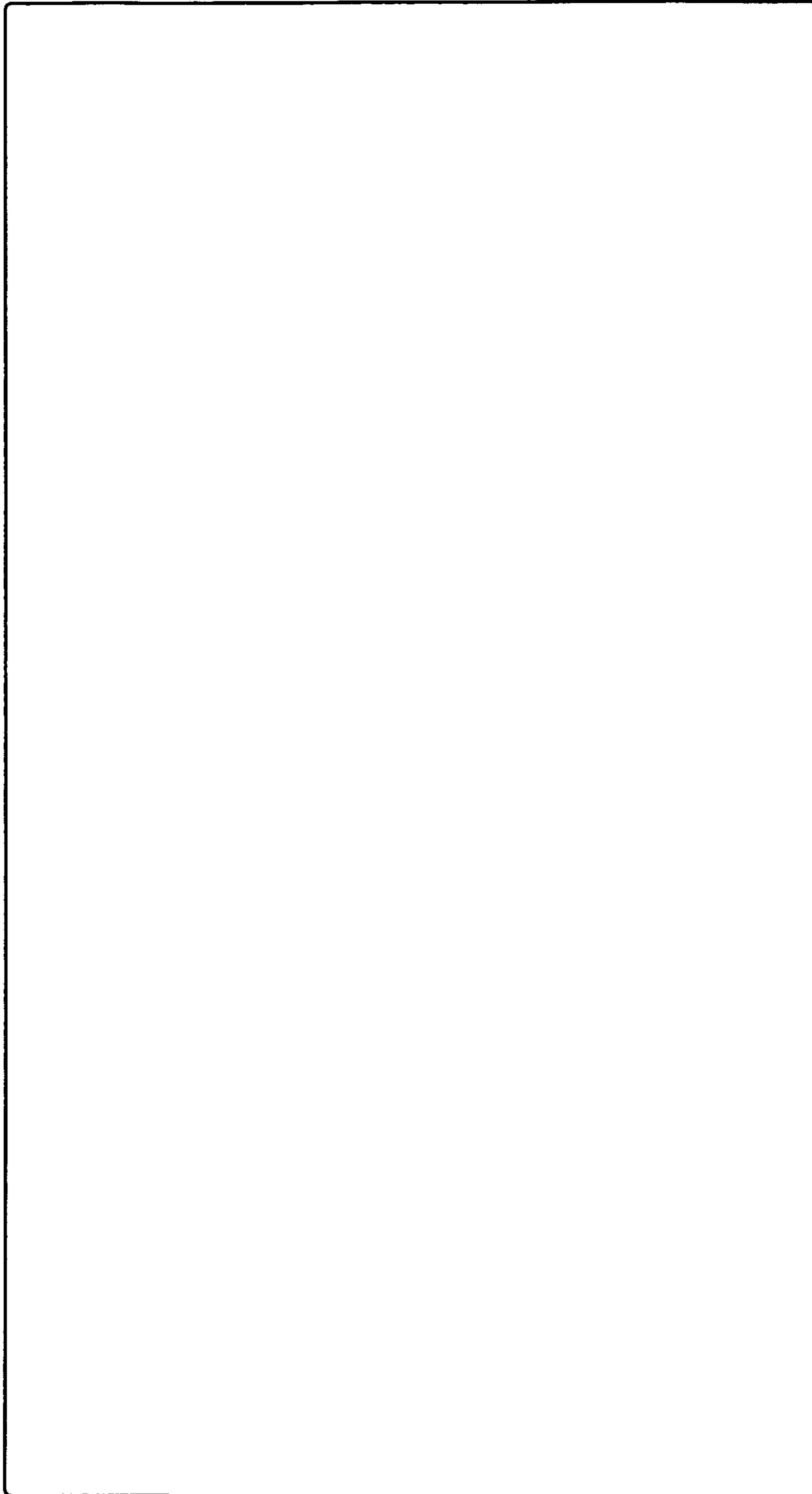


FIG. 4

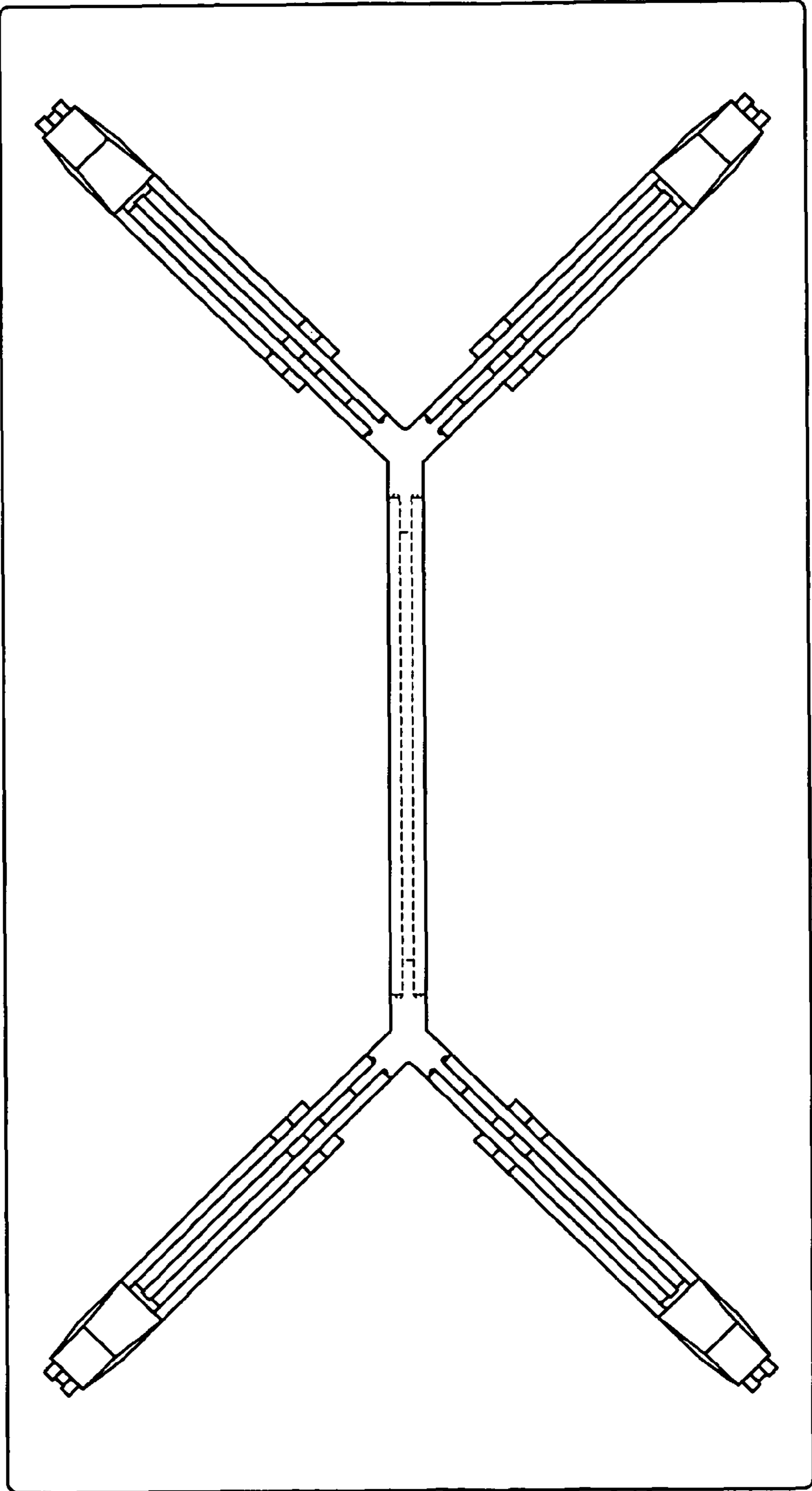


FIG. 5



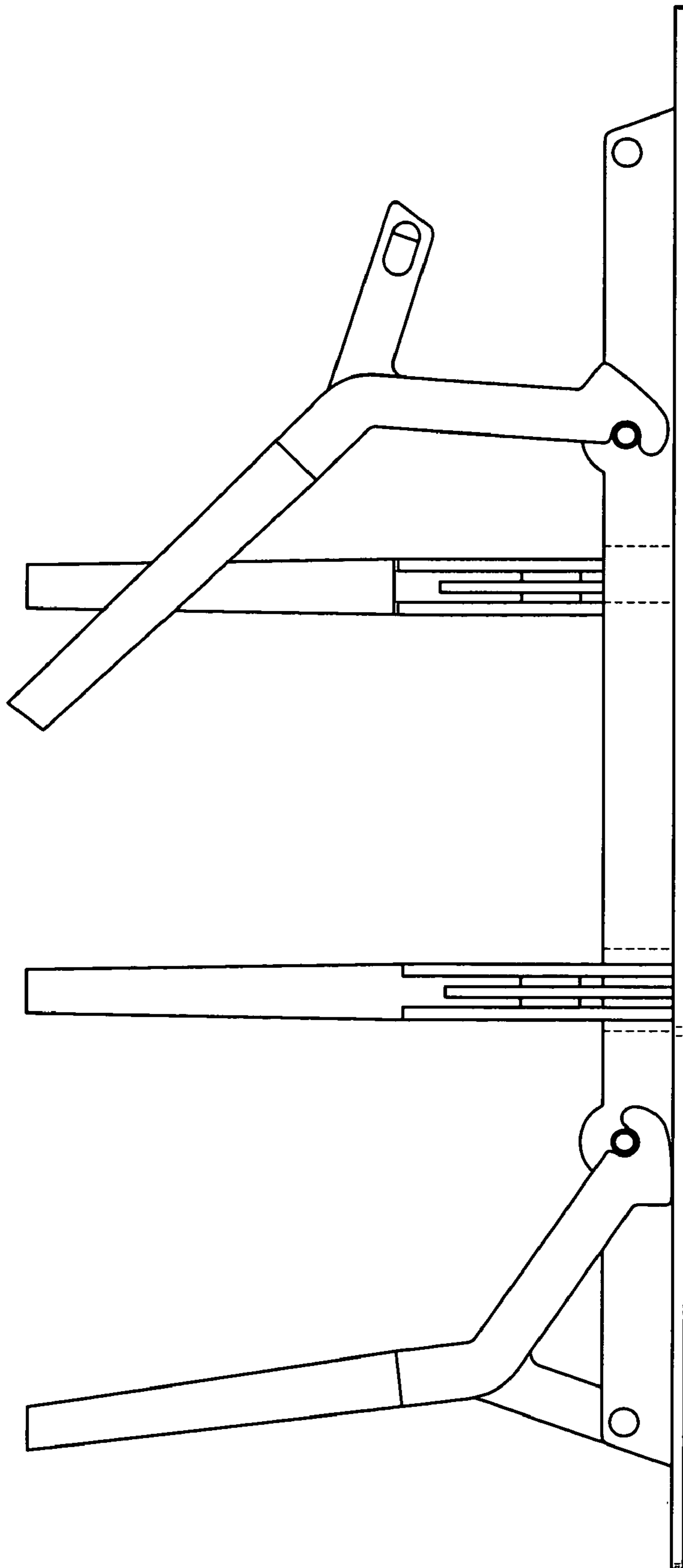


FIG. 6