



US00D663131S

(12) **United States Design Patent**  
**Barefoot et al.**

(10) **Patent No.:** **US D663,131 S**  
(45) **Date of Patent:** **\*\* Jul. 10, 2012**

(54) **CHAIR**

(75) Inventors: **James E. Barefoot**, Winston Salem, NC (US); **David H. Miller**, Grand Rapids, MI (US); **Christopher R. Pabst**, Marne, MI (US); **Daniel J. Gramza**, Rockford, MI (US)

(73) Assignee: **Grand Rapids Chair Company**, Grand Rapids, MI (US)

(\*\*) Term: **14 Years**

(21) Appl. No.: **29/393,962**

(22) Filed: **Jun. 10, 2011**

(51) **LOC (9) Cl.** ..... **06-01**

(52) **U.S. Cl.** ..... **D6/374**

(58) **Field of Classification Search** ..... D6/334-336,  
D6/374-376, 381, 500-502; 297/445.1,  
297/446.1, 446.2, 447.1, 447.2, 448.1, 411.43,  
297/411.44

See application file for complete search history.

(56) **References Cited**

**U.S. PATENT DOCUMENTS**

2,134,639 A 10/1938 McGowen  
(Continued)

**OTHER PUBLICATIONS**

Commonly assigned co-pending U.S. Appl. No. 29/361,773, filed May 14, 2010, entitled Chair.

(Continued)

*Primary Examiner* — Kelley Donnelly

(74) *Attorney, Agent, or Firm* — Gardner, Linn, Burkhart & Flory, LLP

(57) **CLAIM**

The ornamental design for the chair, substantially as shown and described.

**DESCRIPTION**

FIG. 1 is a perspective view of a first embodiment of a chair of the present invention;

FIG. 2 is a left-side elevation view of the chair of FIG. 1;

FIG. 3 is a front elevation view of the chair of FIG. 1;

FIG. 4 is a rear elevation view of the chair of FIG. 1;

FIG. 5 is a right-side elevation view of the chair of FIG. 1;

FIG. 6 is a top plan view of the chair of FIG. 1;

FIG. 7 is a bottom plan view of the chair of FIG. 1;

FIG. 8 is a perspective view of a second embodiment of a chair of the present invention;

FIG. 9 is a left-side elevation view of the chair of FIG. 8;

FIG. 10 is a front elevation view of the chair of FIG. 8;

FIG. 11 is a rear elevation view of the chair of FIG. 8;

FIG. 12 is a top plan view of the chair of FIG. 8;

FIG. 13 is a bottom plan view of the chair of FIG. 8;

FIG. 14 is a left-side elevation view of the chair of FIG. 8;

FIG. 15 is a perspective view of a third embodiment of a chair of the present invention;

FIG. 16 is a left-side elevation view of the chair of FIG. 15;

FIG. 17 is a front elevation view of the chair of FIG. 15;

FIG. 18 is a rear elevation view of the chair of FIG. 15;

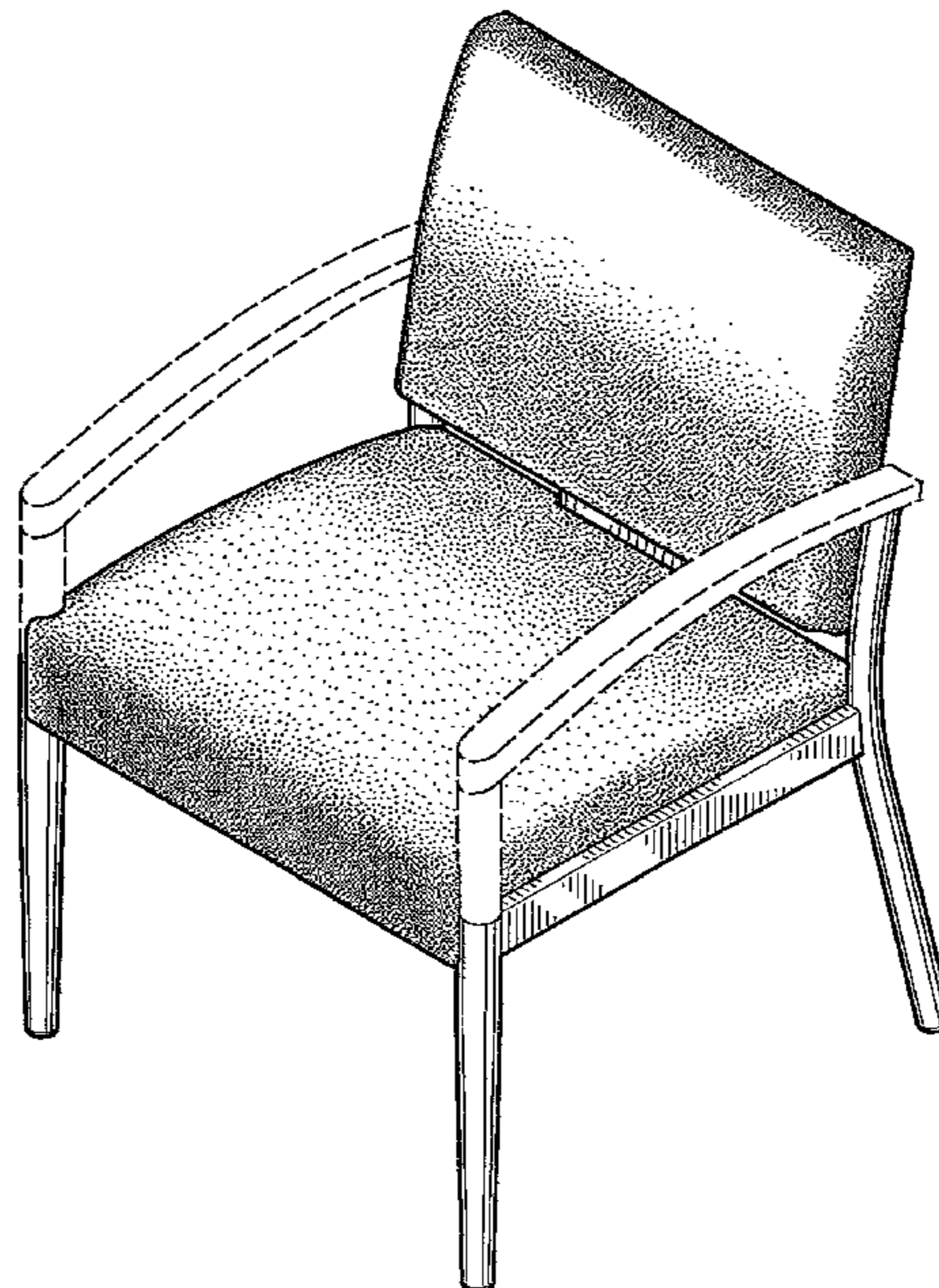
FIG. 19 is a top plan view of the chair of FIG. 15;

FIG. 20 is a bottom plan view of the chair of FIG. 15; and,

FIG. 21 is a left-side elevation view of the chair of FIG. 15.

The broken lines showing is included for the purpose of illustrating environment of the design and forms no part of the claimed design.

**1 Claim, 9 Drawing Sheets**



# US D663,131 S

Page 2

## U.S. PATENT DOCUMENTS

2,806,515	A	9/1957	Burst	
D182,426	S	4/1958	McCarthy et al.	
4,054,317	A	10/1977	Stumpf	
4,913,496	A	4/1990	Oke	
D312,005	S *	11/1990	Snodgrass	D6/379
5,154,474	A	10/1992	Desanta	
D341,045	S	11/1993	Barile	
5,297,851	A	3/1994	Van Hekken	
D345,869	S *	4/1994	Grosfillex	D6/381
D349,818	S *	8/1994	Noll	D6/344
D358,041	S *	5/1995	Watts	D6/379
D382,150	S	8/1997	Balderi et al.	
D409,408	S *	5/1999	James et al.	D6/379
D410,802	S *	6/1999	Olson	D6/379
D411,699	S	6/1999	Bond et al.	
D413,216	S	8/1999	Regan et al.	
6,135,562	A	10/2000	Infanti	
D444,956	S *	7/2001	Martin	D6/375
D446,958	S *	8/2001	Olson	D6/379
D454,715	S *	3/2002	Olson	D6/379
D464,209	S *	10/2002	Piretti	D6/380
D464,494	S *	10/2002	Gasca Burges	D6/374
6,471,293	B2	10/2002	Ware et al.	
D469,621	S	2/2003	Kita	
D474,904	S *	5/2003	Ciabatti	D6/370
D477,471	S *	7/2003	Brooks	D6/379
D485,084	S *	1/2004	Bales	D6/379
6,679,551	B2	1/2004	Ware et al.	
D491,382	S *	6/2004	Caldwell	D6/379
D494,375	S	8/2004	Starck	
D496,173	S	9/2004	Starck	
D496,547	S	9/2004	Gasser	
6,820,934	B2	11/2004	Ware et al.	
D502,331	S	3/2005	Socha, Jr. et al.	
D506,338	S	6/2005	Gasser	
D515,340	S	2/2006	Gasser	
D516,832	S *	3/2006	Schweikarth et al.	D6/379
D517,357	S	3/2006	Gasser	
D517,824	S *	3/2006	Pensi	D6/379
7,014,268	B2	3/2006	Socha, Jr. et al.	
D521,264	S	5/2006	Ware et al.	
D537,263	S *	2/2007	Berry et al.	D6/381
D540,559	S *	4/2007	Neil	D6/379
D542,046	S *	5/2007	Pesso	D6/379
D543,373	S *	5/2007	Schweikarth et al.	D6/379

D544,227	S	6/2007	Bartlmae	
D544,228	S	6/2007	Bartlmae	
D544,229	S	6/2007	Bartlmae	
D544,234	S *	6/2007	Olano	D6/379
D544,236	S	6/2007	Swy et al.	
D547,963	S *	8/2007	Olano	D6/379
D548,477	S *	8/2007	Olano	D6/379
D549,979	S *	9/2007	Kane et al.	D6/374
D558,480	S *	1/2008	Olano Jauregui	D6/379
D559,004	S *	1/2008	Chipman	D6/381
D571,119	S *	6/2008	Leonetti et al.	D6/379
D572,935	S *	7/2008	Sargent	D6/379
D574,641	S	8/2008	Bongaerts	
D579,052	S *	10/2008	Ciani et al.	D6/379
D579,226	S *	10/2008	Pinaffo et al.	D6/379
D581,180	S *	11/2008	Chi	D6/380
D581,686	S	12/2008	Miller et al.	
D581,688	S	12/2008	Miller et al.	
D586,145	S *	2/2009	Guinochet	D6/381
D587,477	S *	3/2009	Neil	D6/379
D597,335	S *	8/2009	Tseng	D6/379
D598,669	S *	8/2009	Schweikarth et al.	D6/379
D602,268	S *	10/2009	Viererbl	D6/334
D602,278	S	10/2009	Kubryk	
D604,519	S *	11/2009	Beckley et al.	D6/334
D606,770	S *	12/2009	Figuroa	D6/372
D610,816	S *	3/2010	Keichel et al.	D6/334
D615,782	S *	5/2010	Beckley et al.	D6/501
D634,560	S *	3/2011	Lewis	D6/379
D644,849	S	9/2011	Sienkowski et al.	
D648,556	S *	11/2011	Frinier	D6/369
D648,557	S *	11/2011	Frinier	D6/369
D653,469	S *	2/2012	Carrere	D6/368
D654,285	S *	2/2012	Ballendat	D6/379
D655,528	S *	3/2012	Neil	D6/379
2003/0164639	A1	9/2003	Infanti	

## OTHER PUBLICATIONS

Commonly assigned co-pending U.S. Appl. No. 29/361,884, filed May 17, 2010, entitled Chair.  
 Commonly assigned co-pending U.S. Appl. No. 29/355,748, filed Feb. 12, 2010, entitled Chair.  
 A-1: Drawing dated Sep. 12, 2009, of a prior art chair design marketed by the present Assignee.

\* cited by examiner

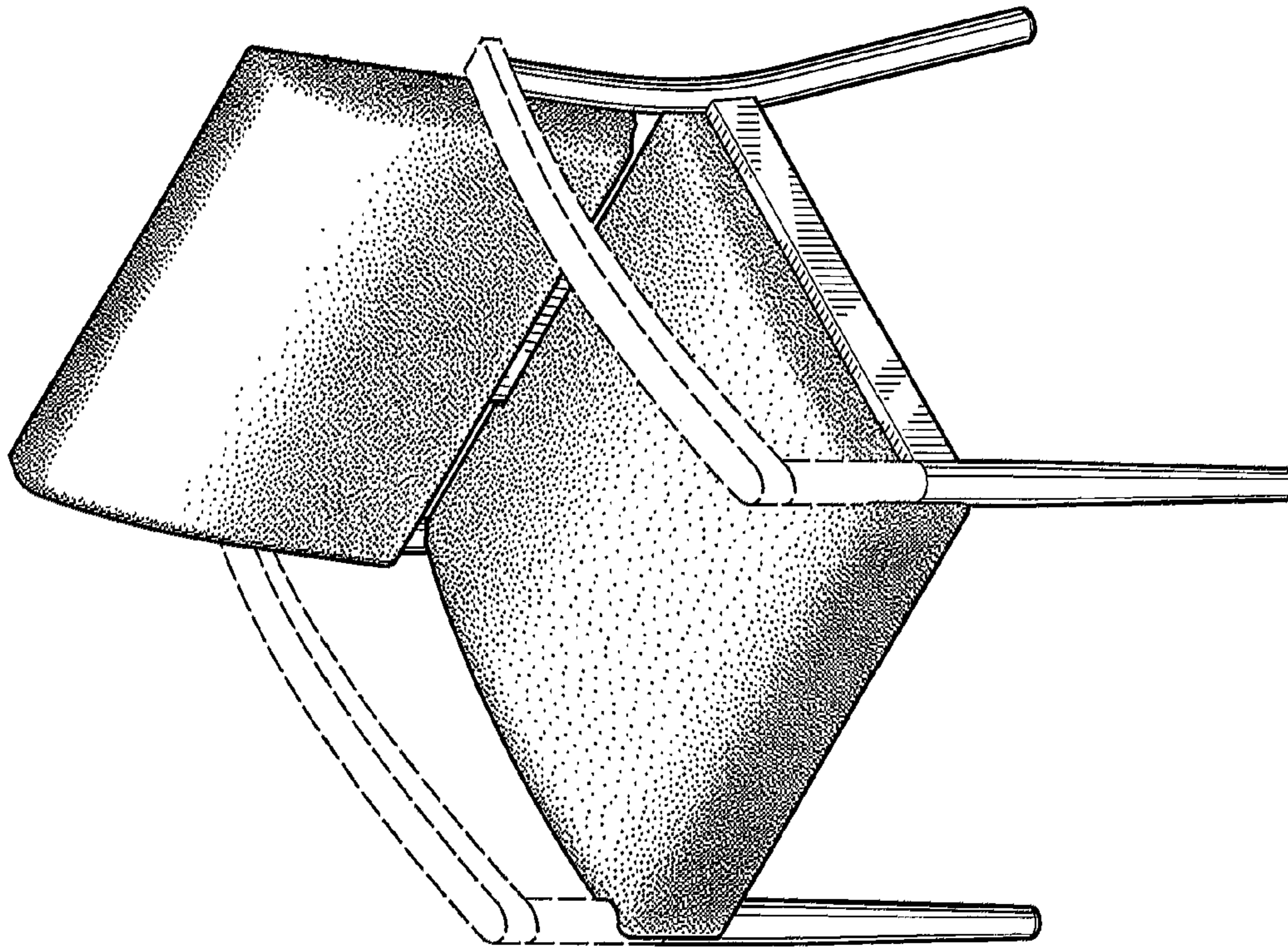


Fig. 1

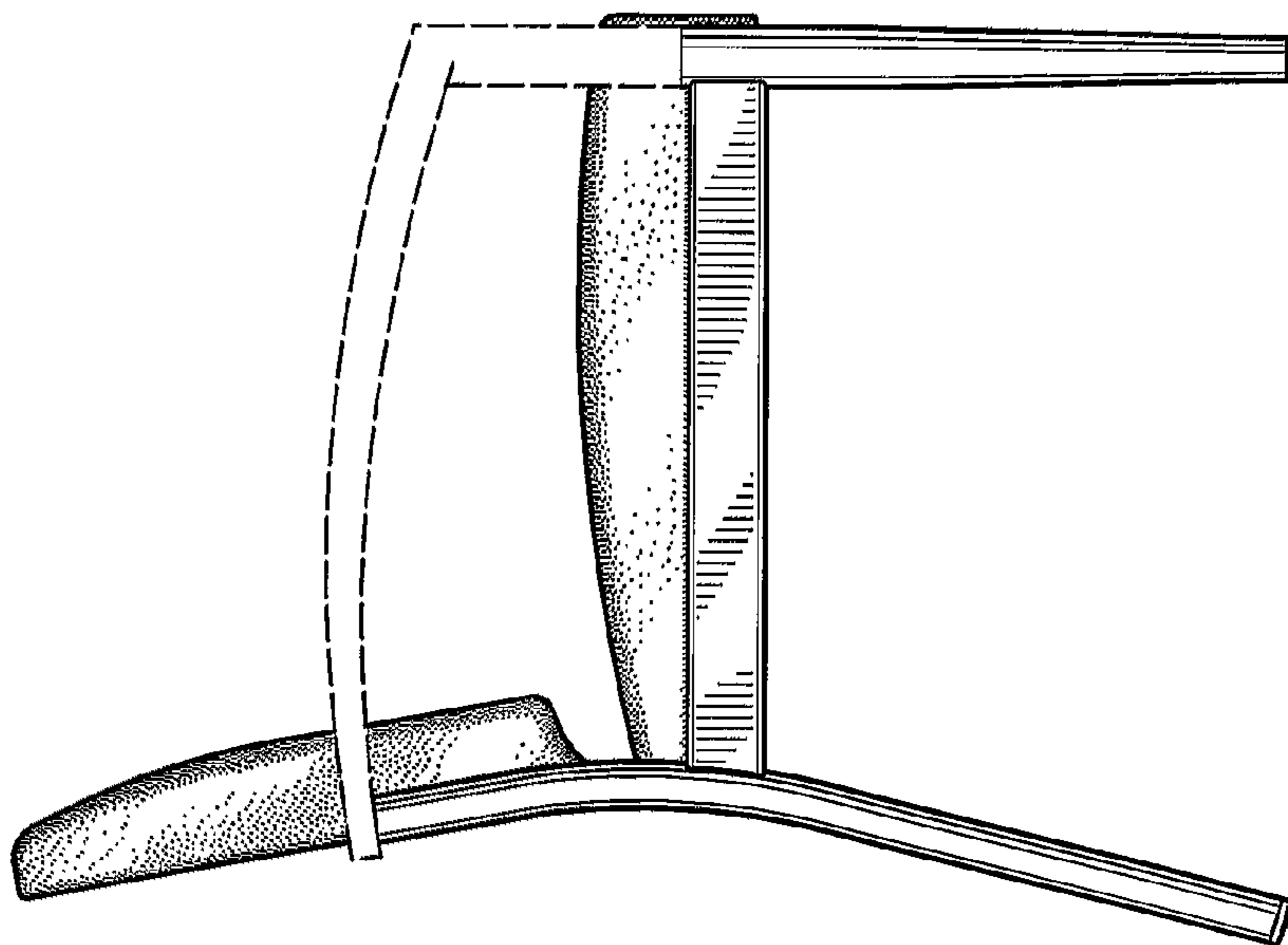


Fig. 2

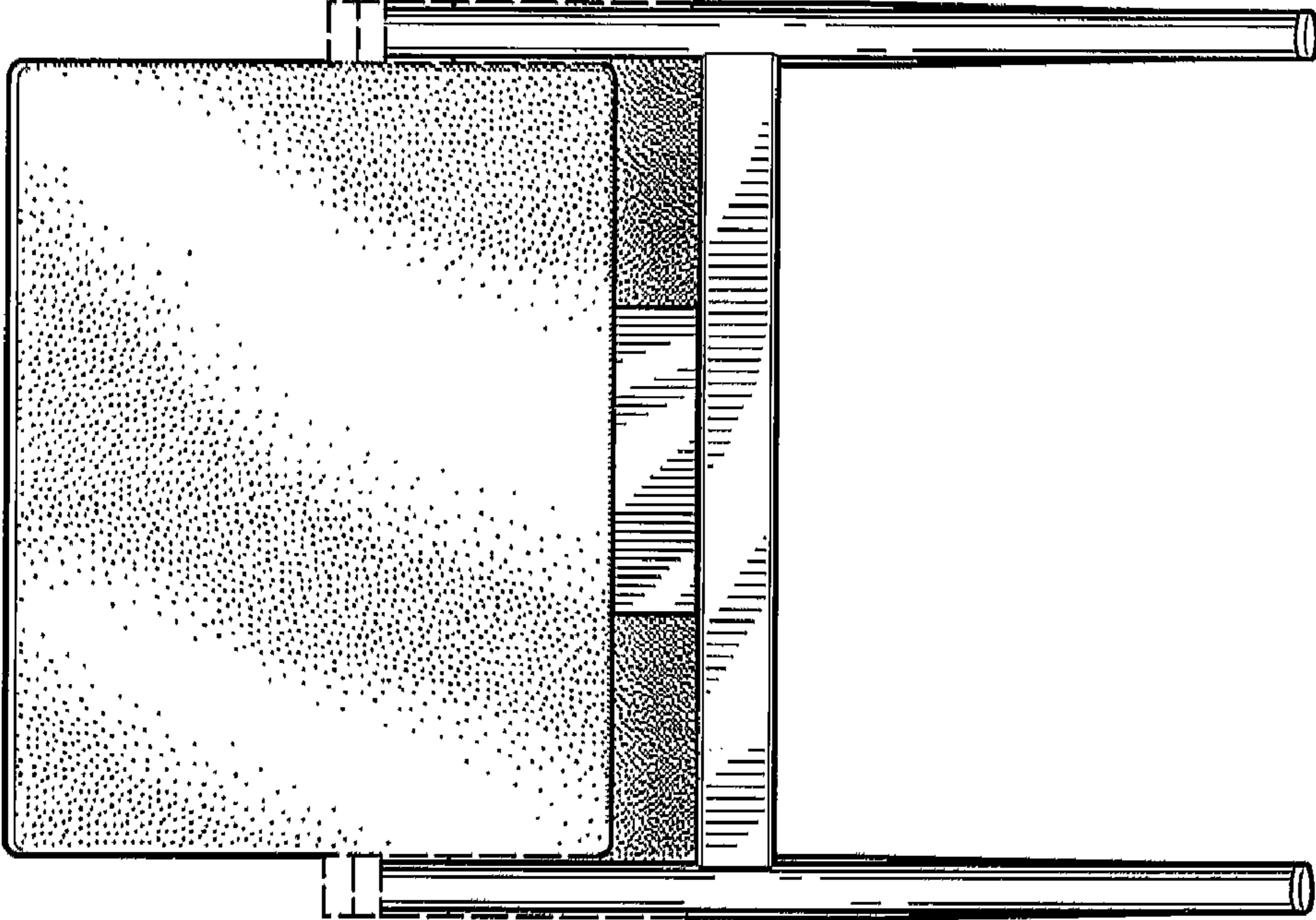


Fig. 3

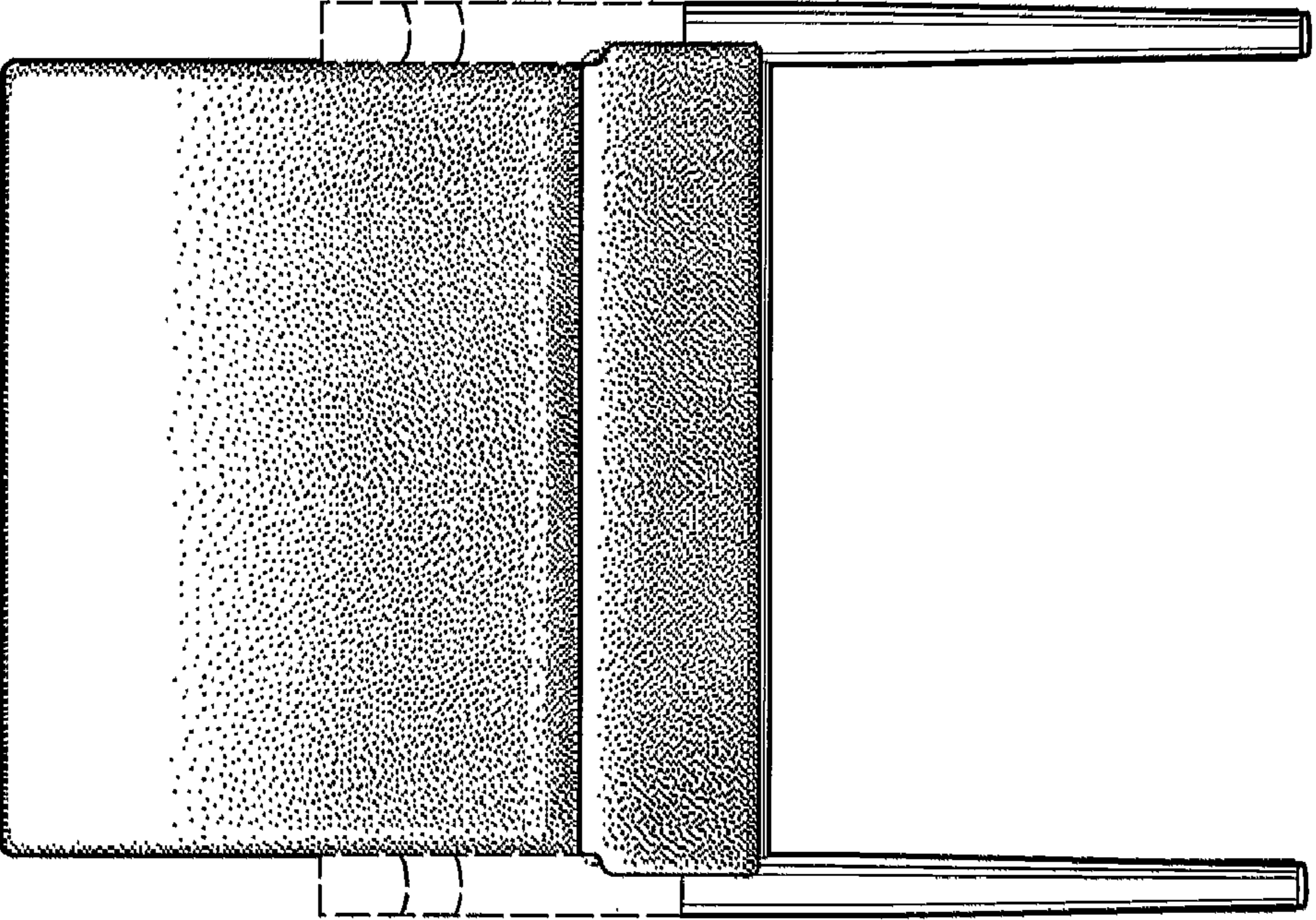


Fig. 4

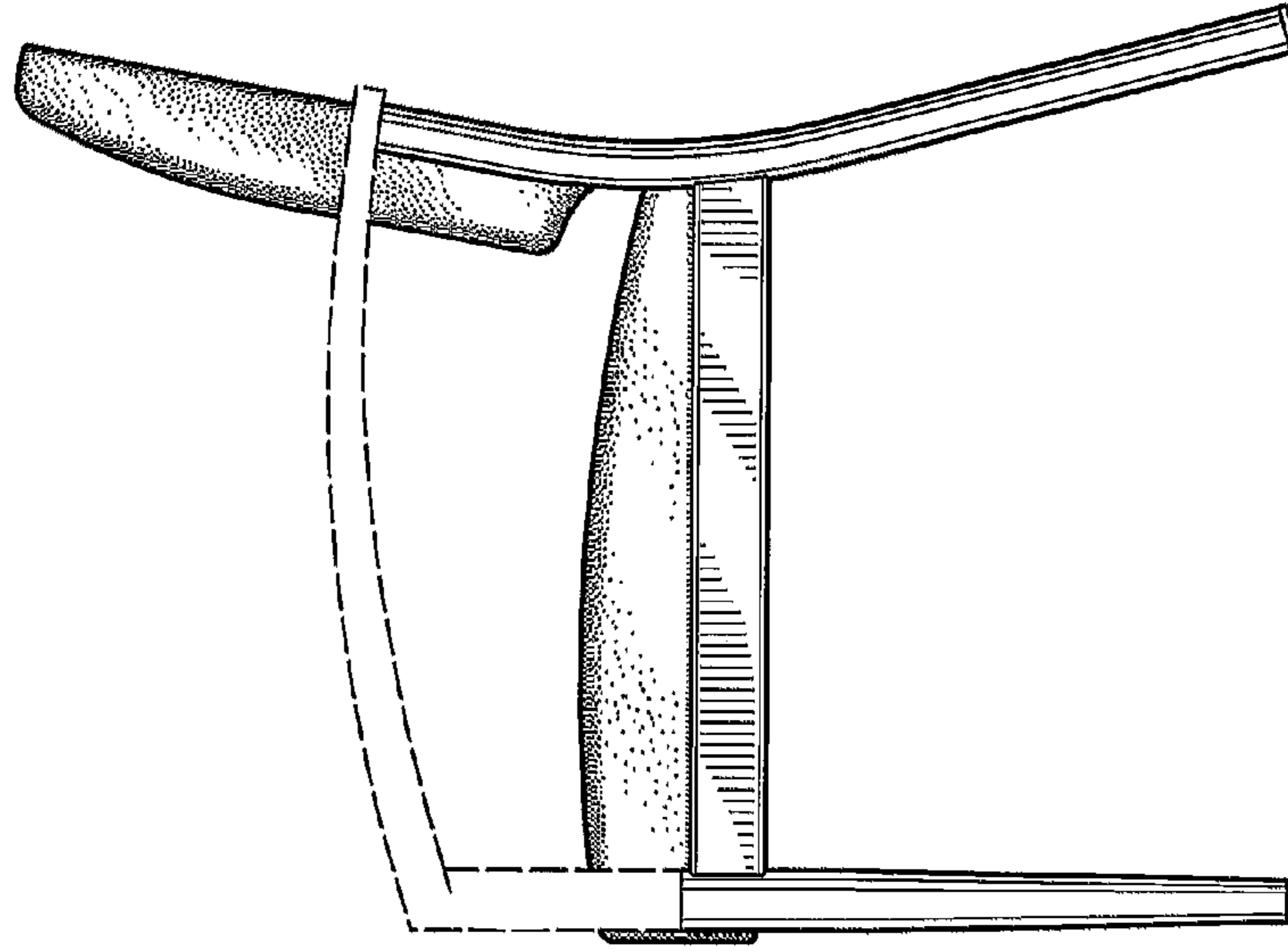


Fig. 5

Fig. 6

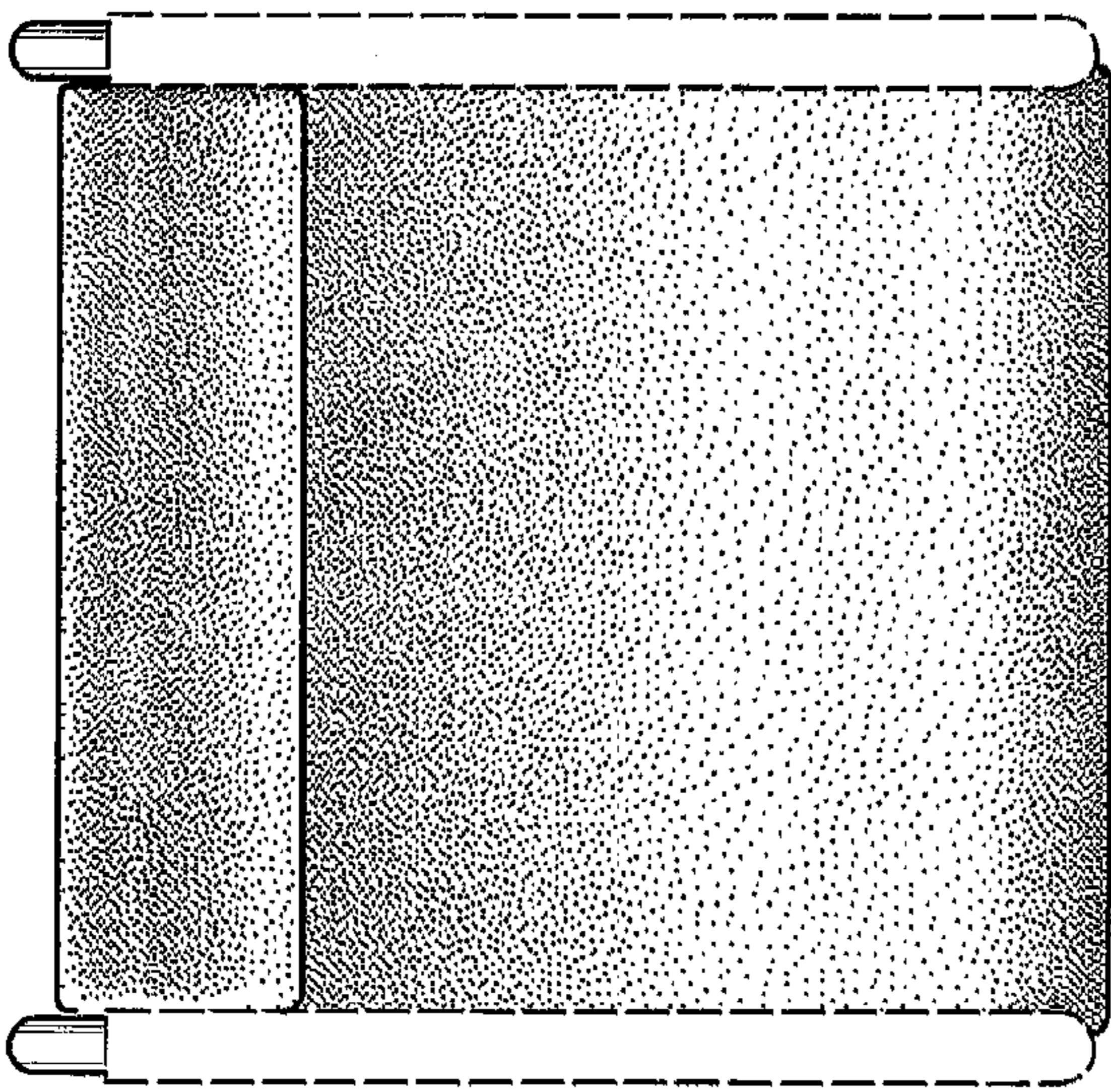
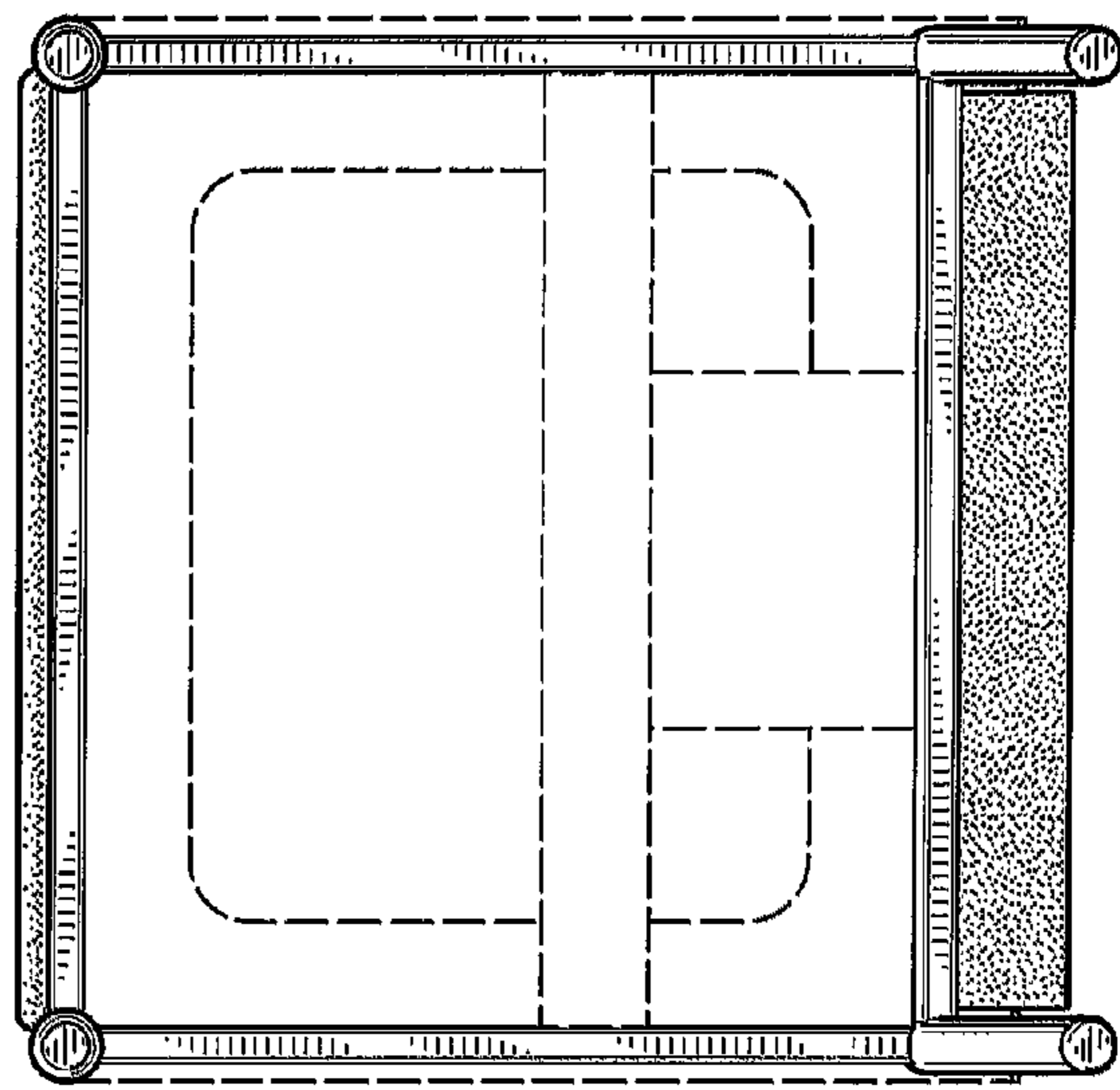


Fig. 7



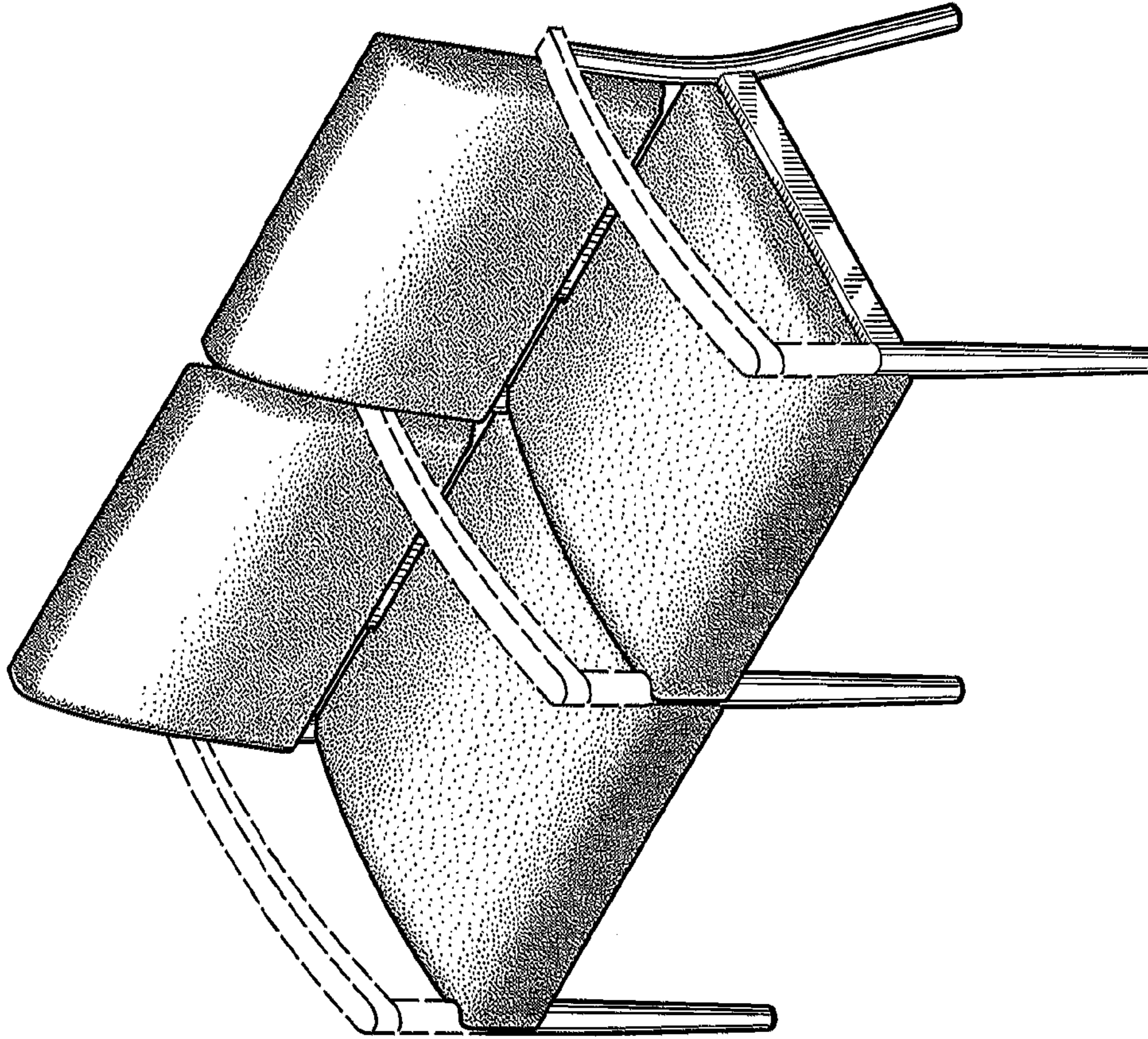


Fig. 8

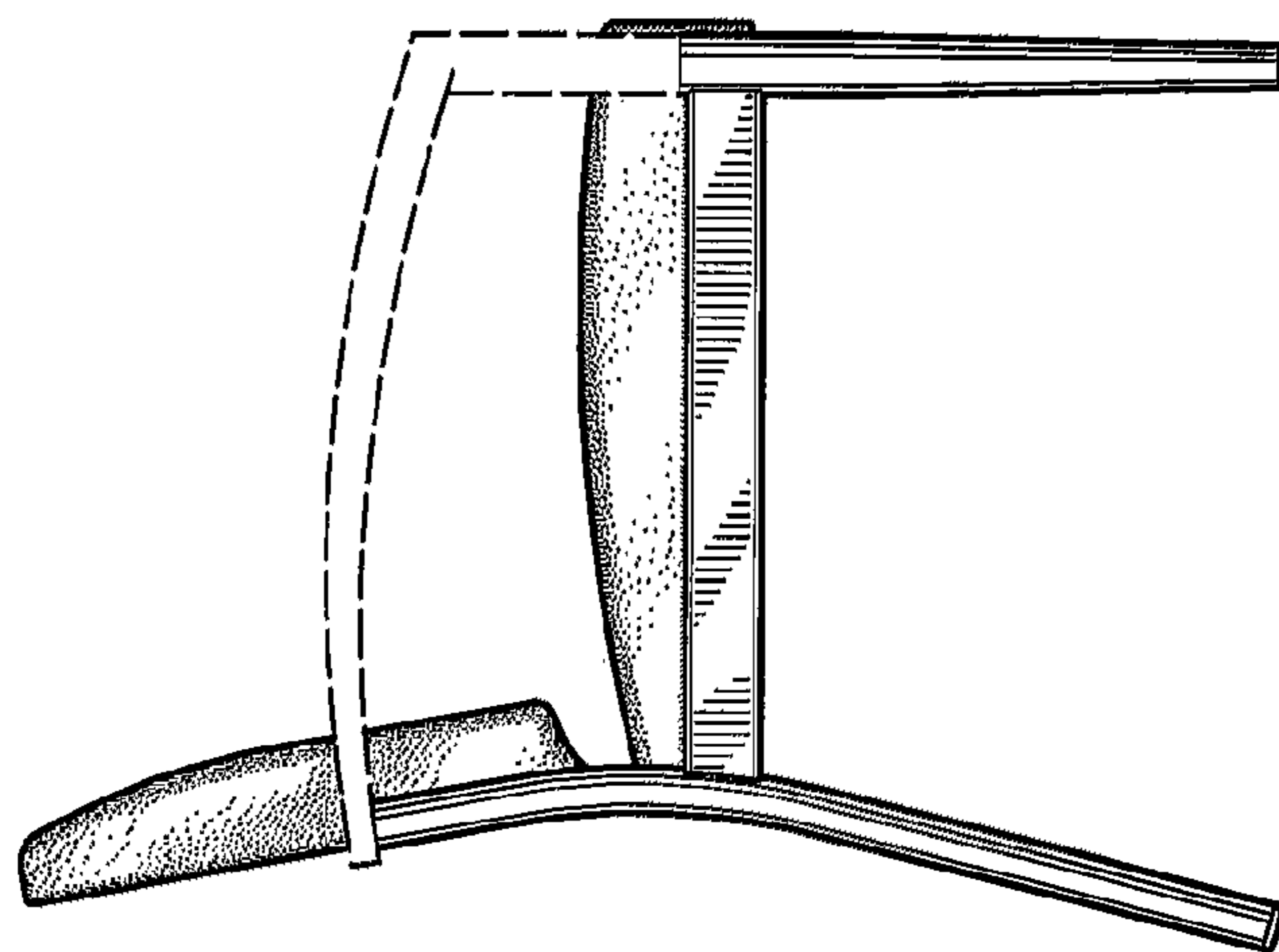


Fig. 9

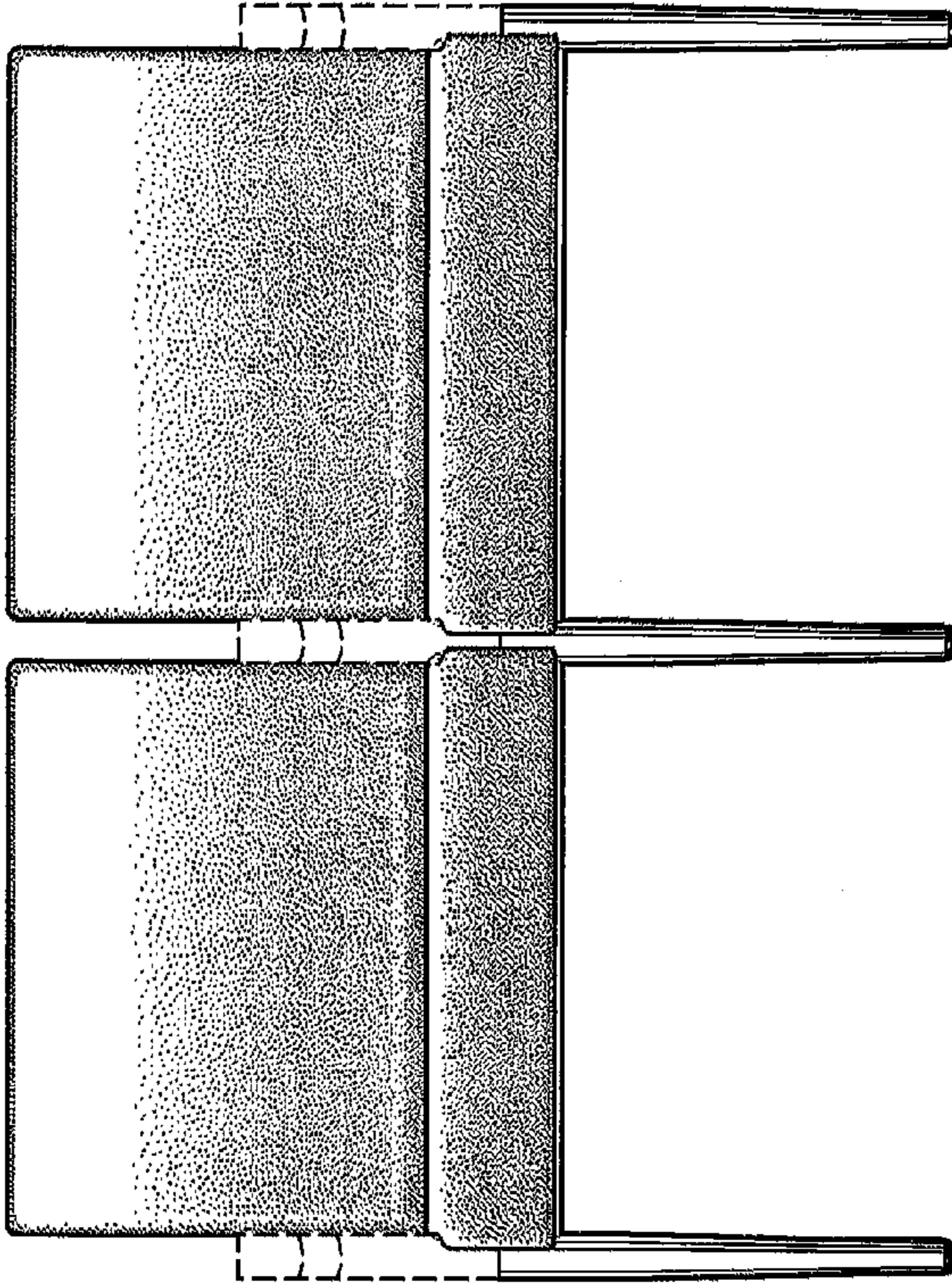


Fig. 10

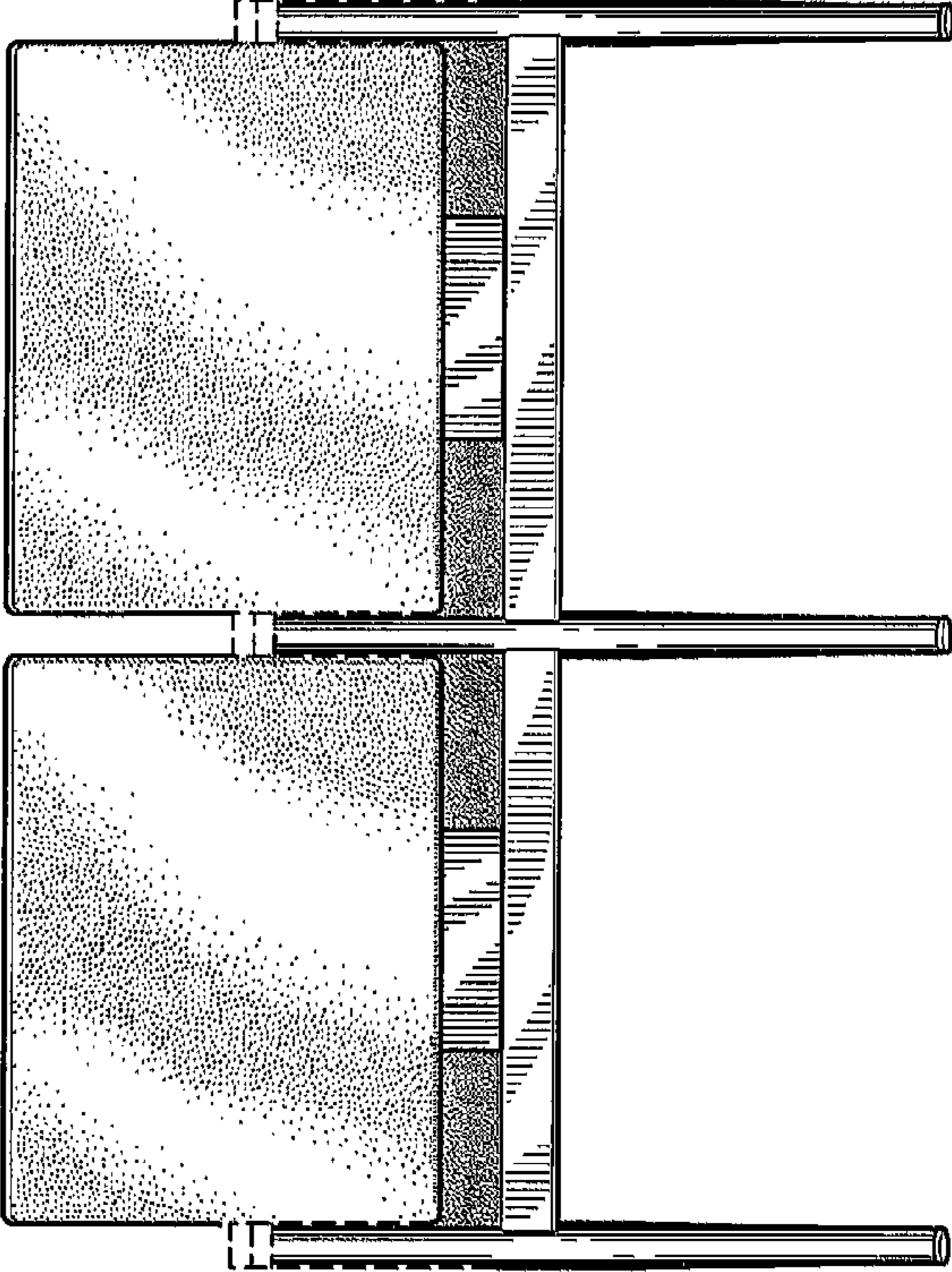


Fig. 11

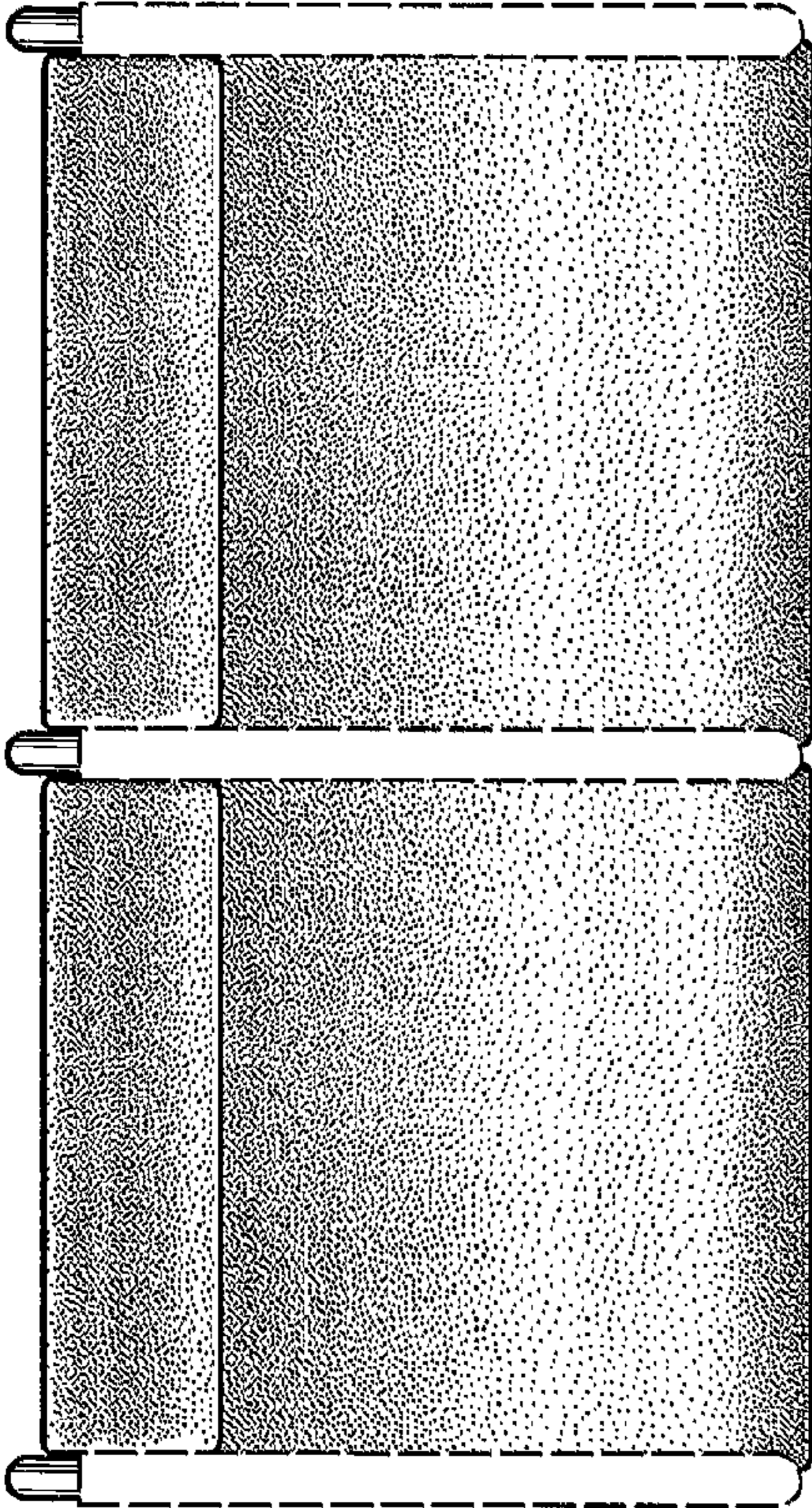


Fig. 12

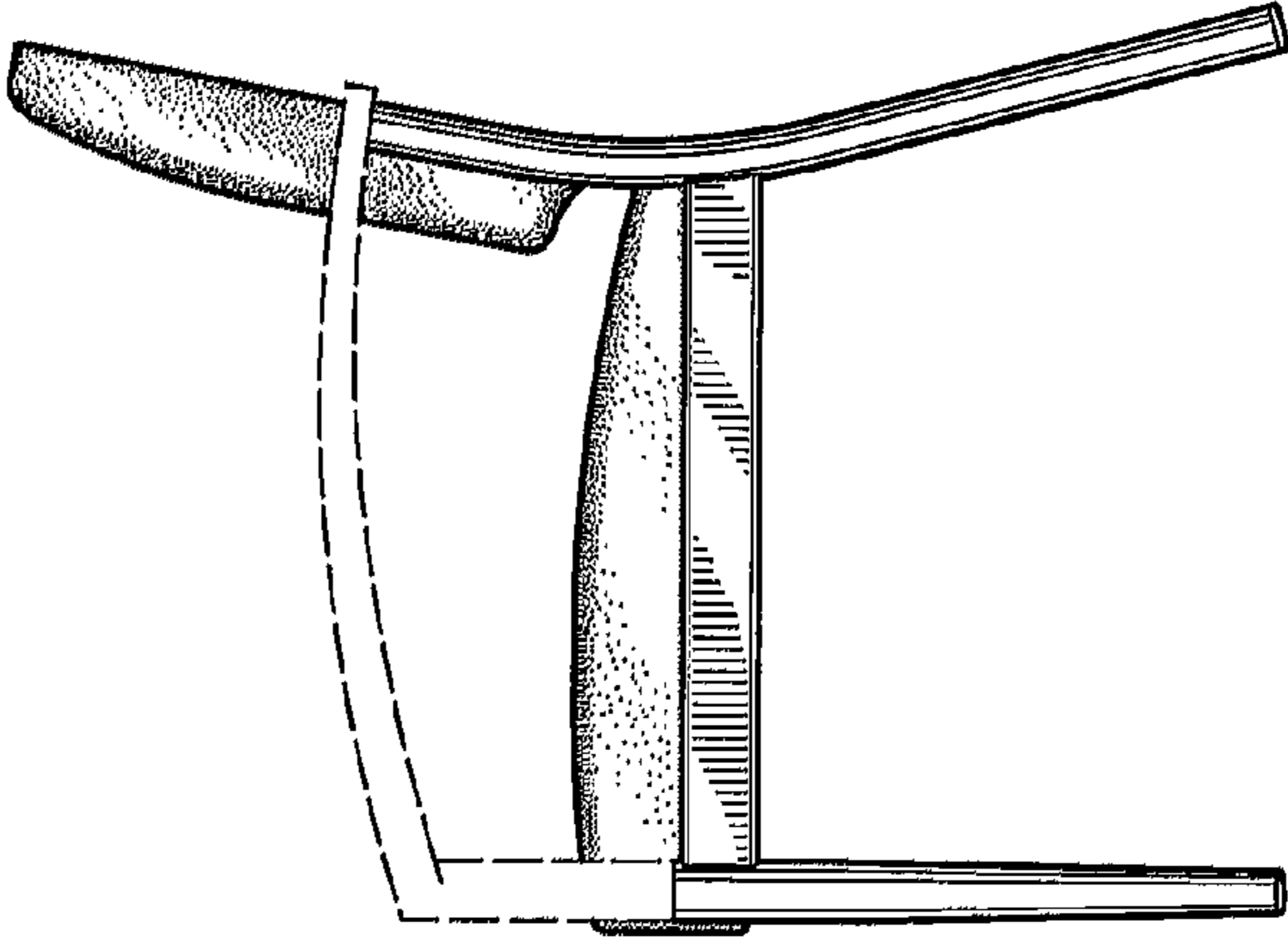


Fig. 14

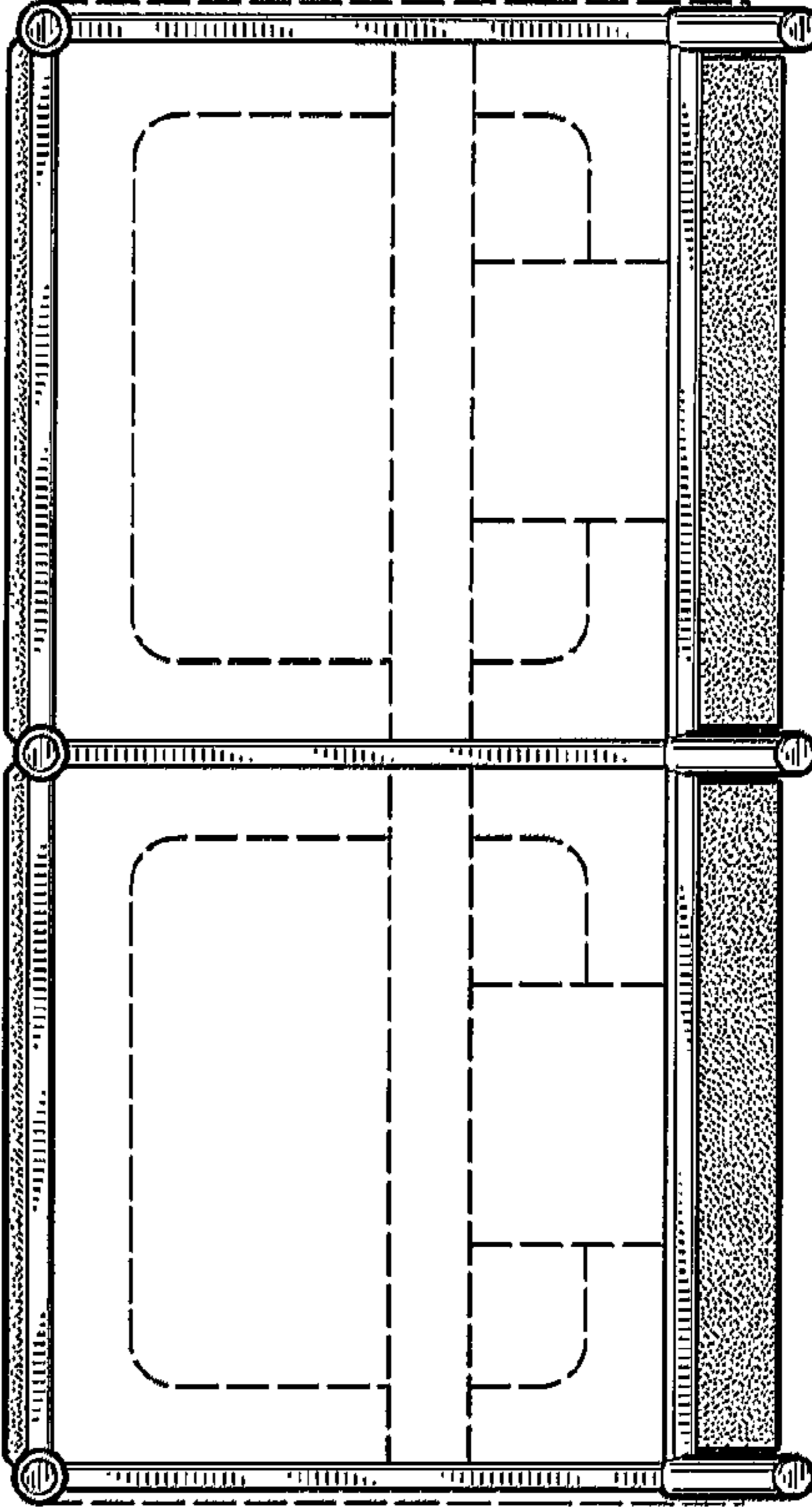


Fig. 13



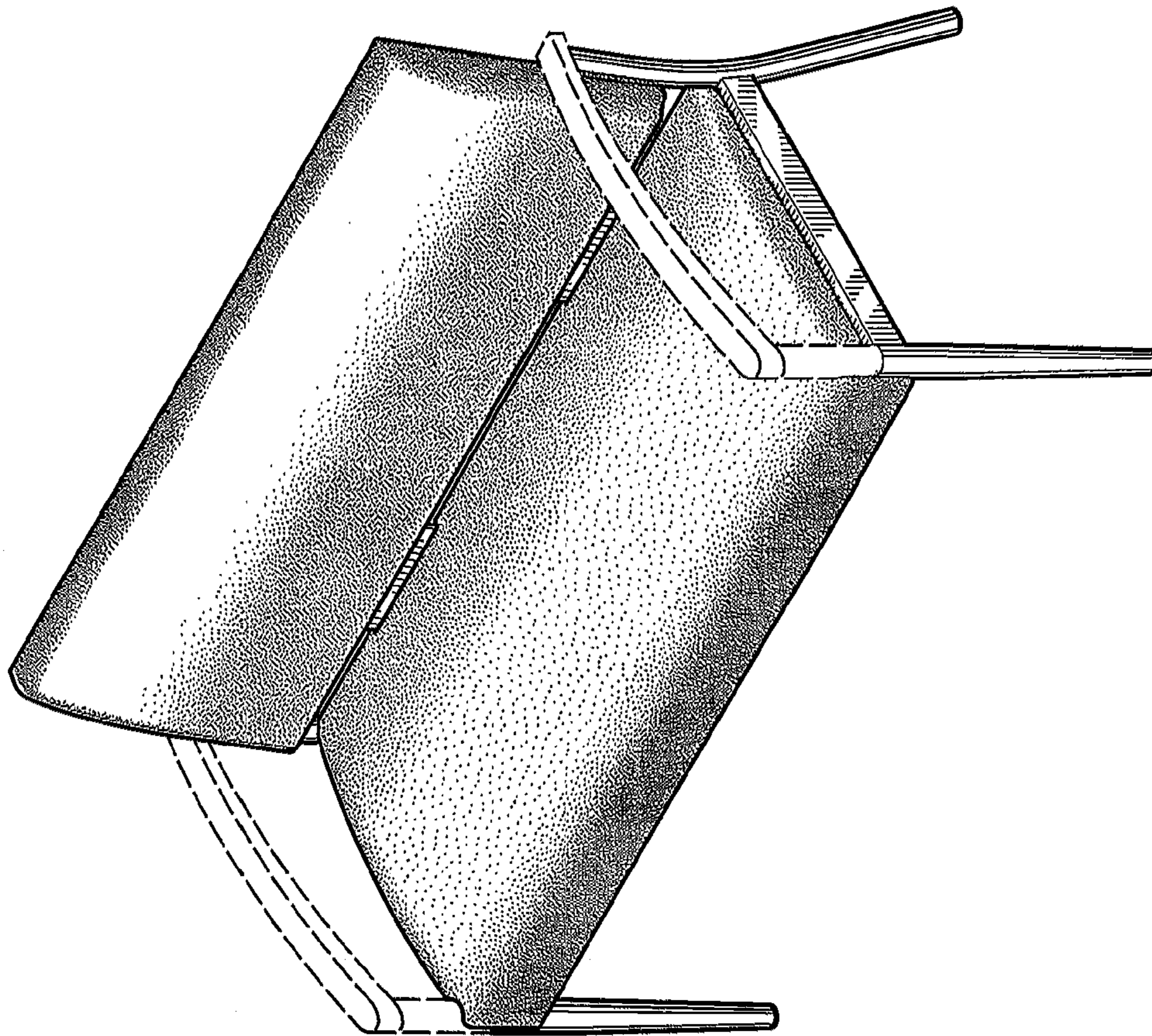


Fig. 15

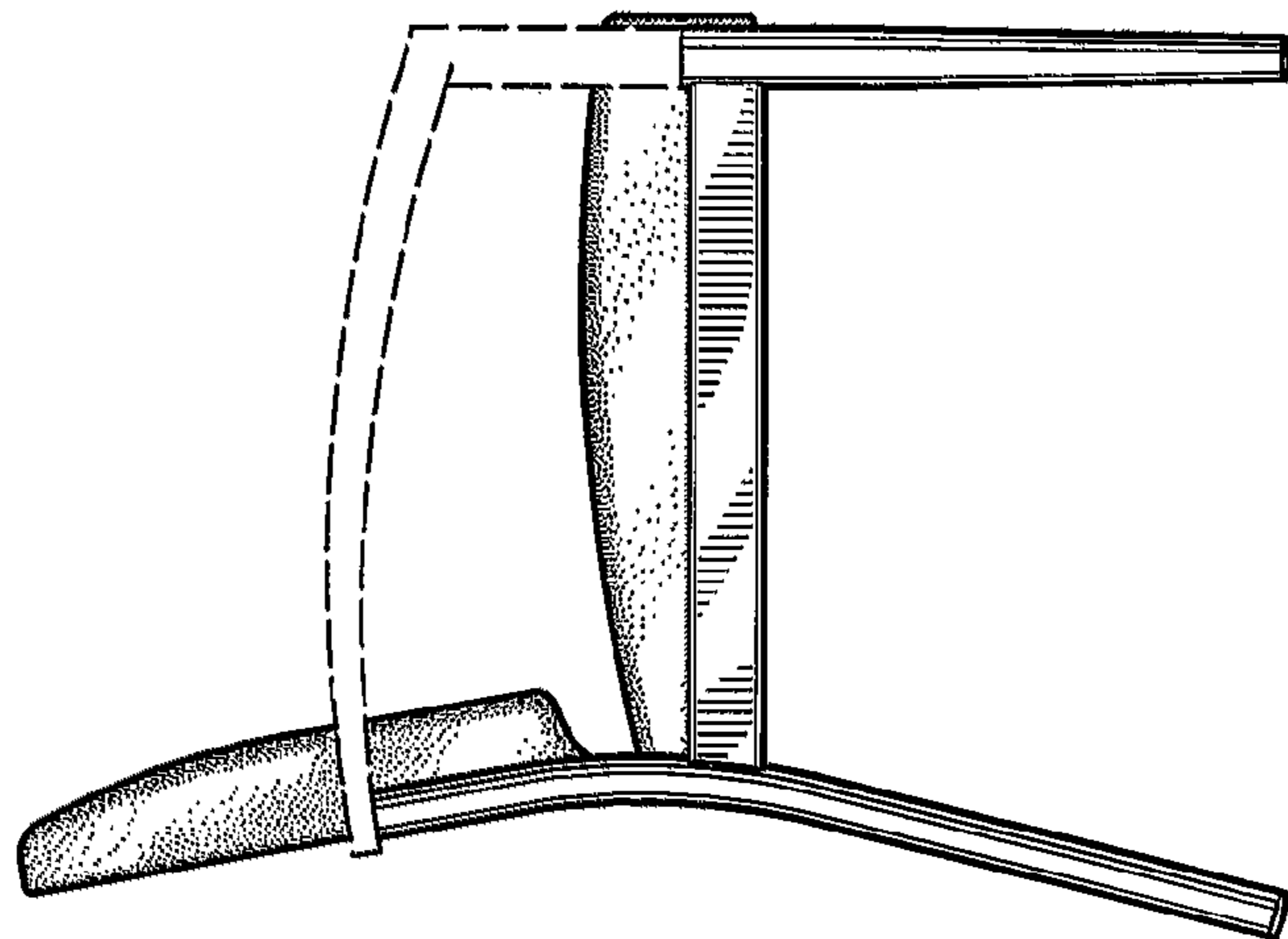


Fig. 16

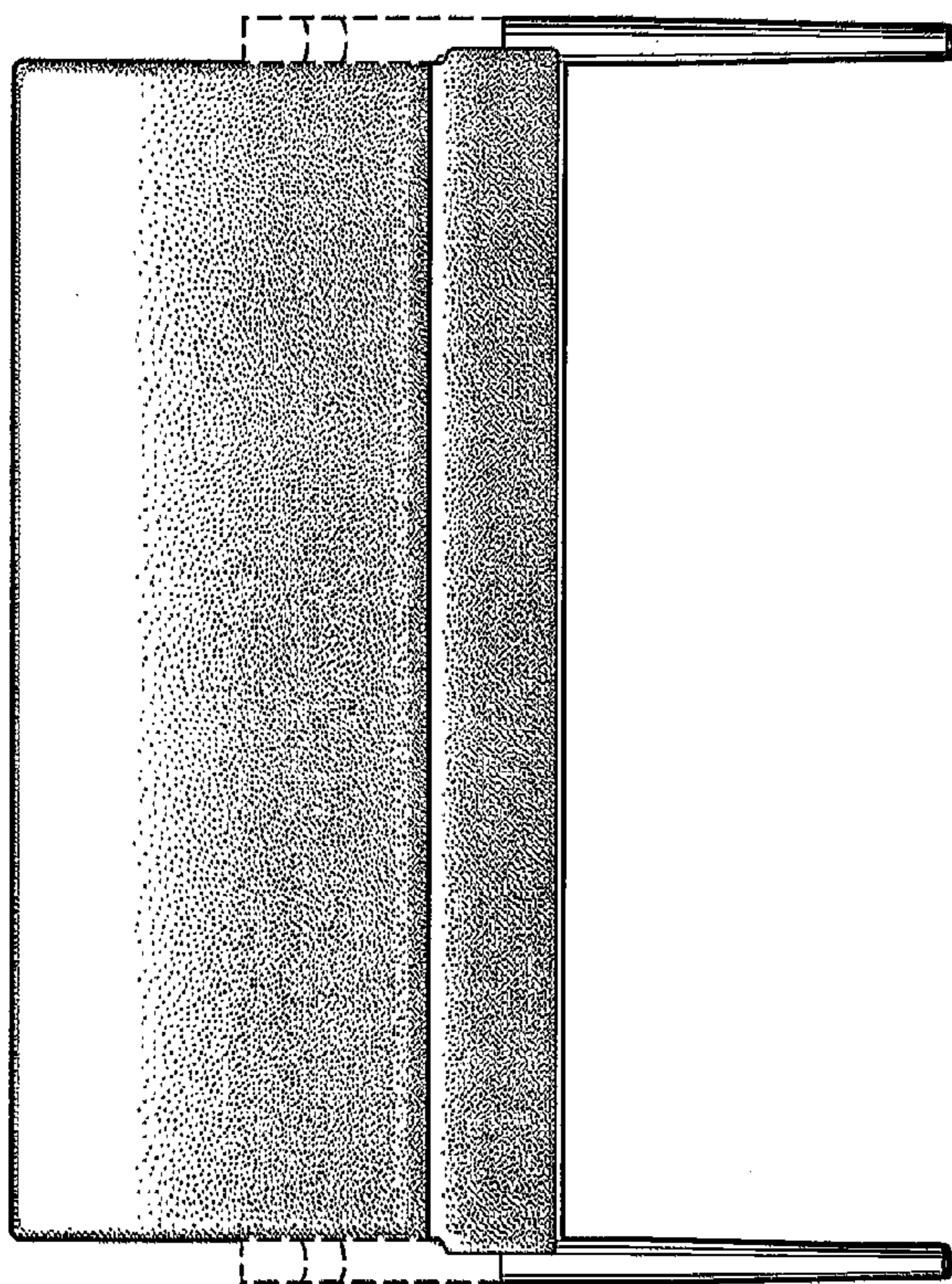


Fig. 17

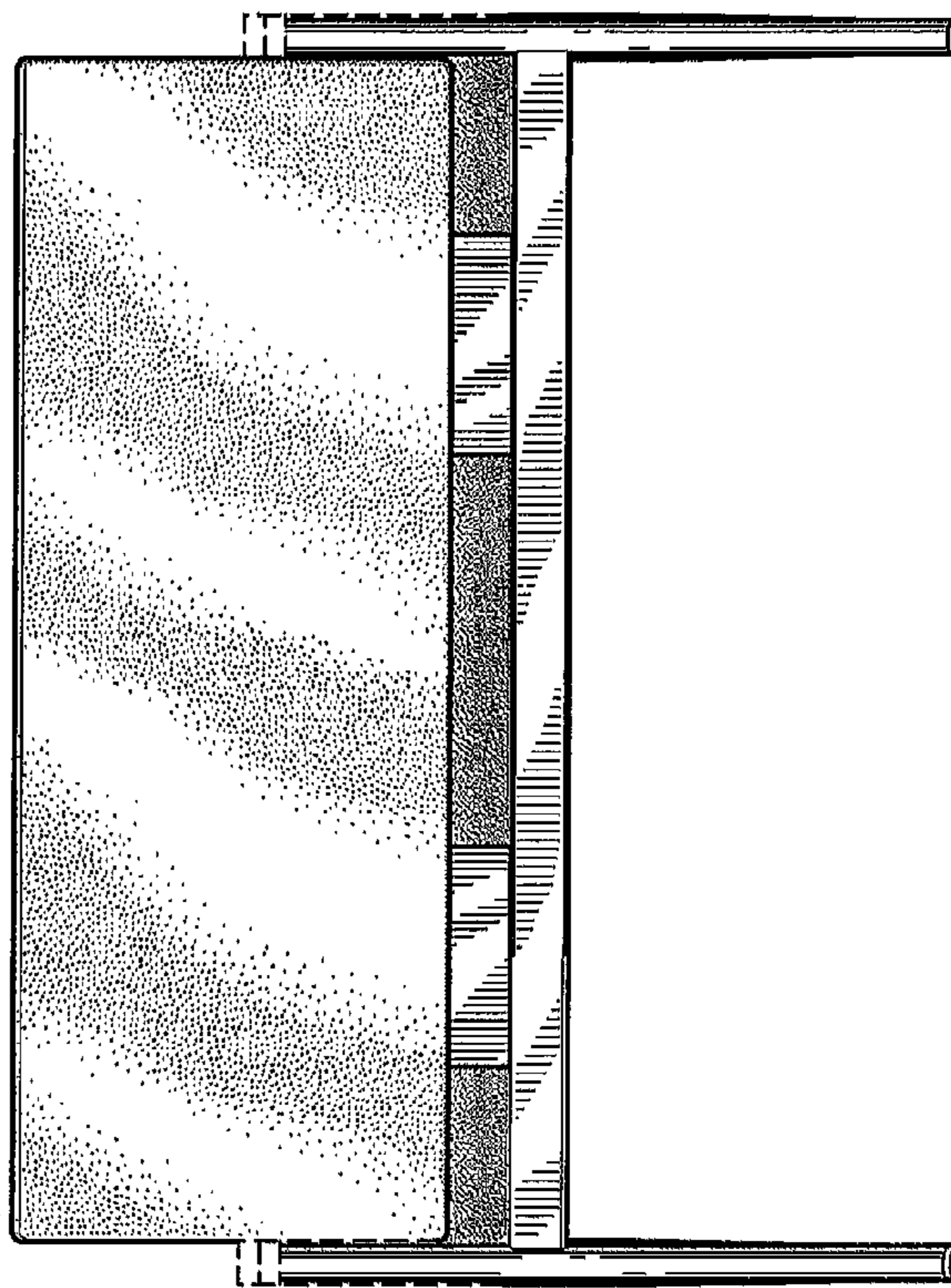


Fig. 18

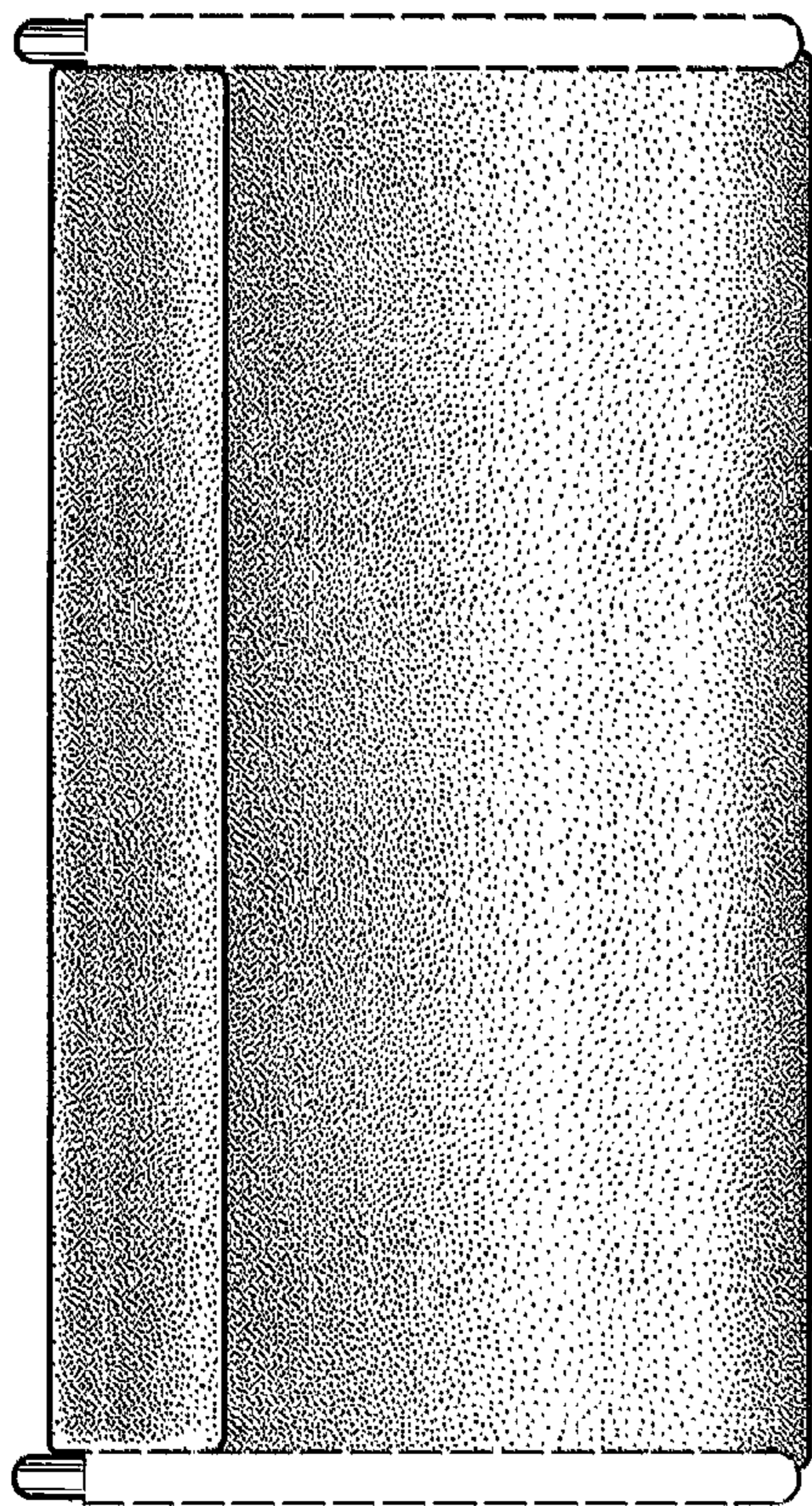


Fig. 19

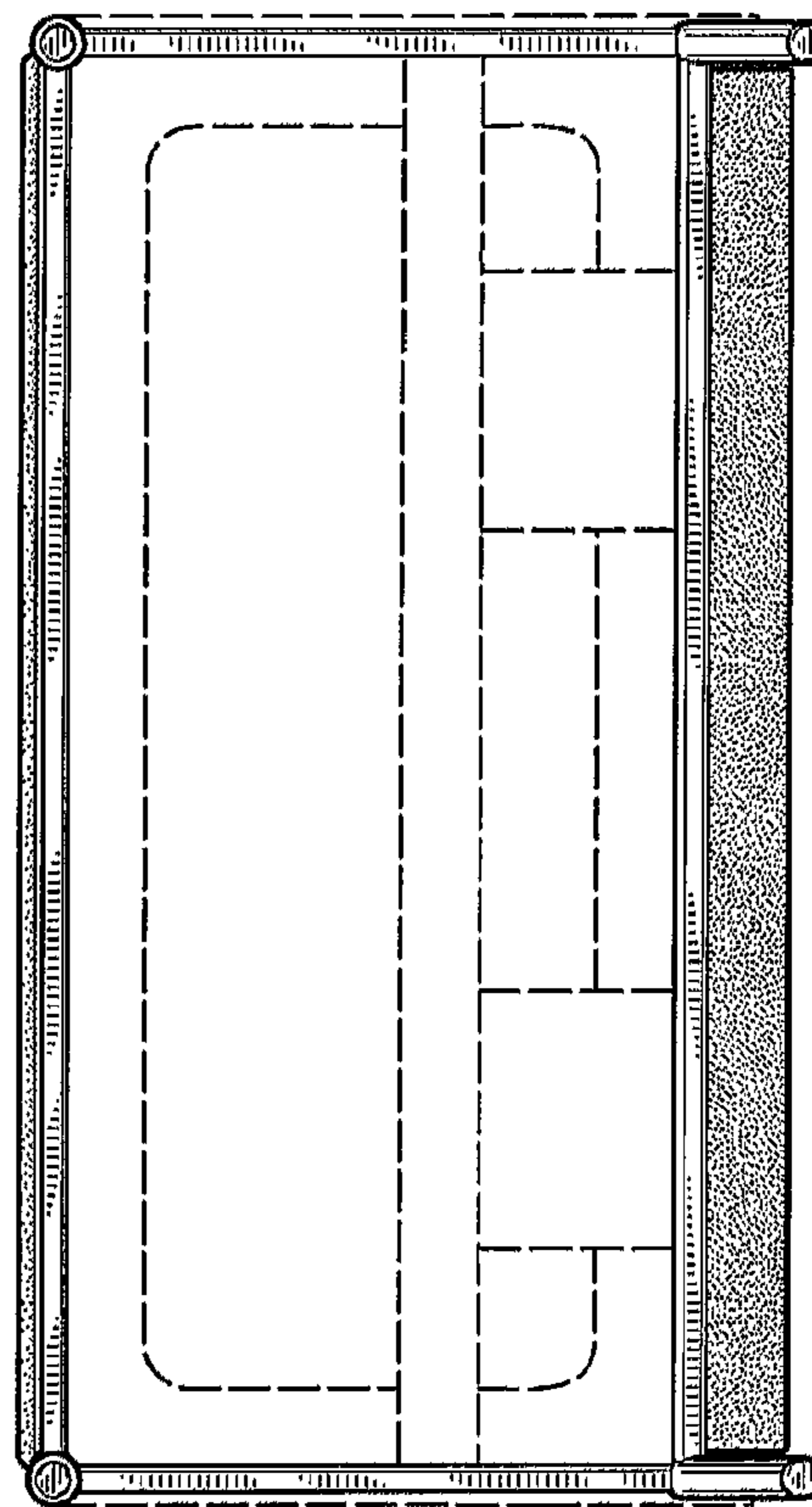


Fig. 20

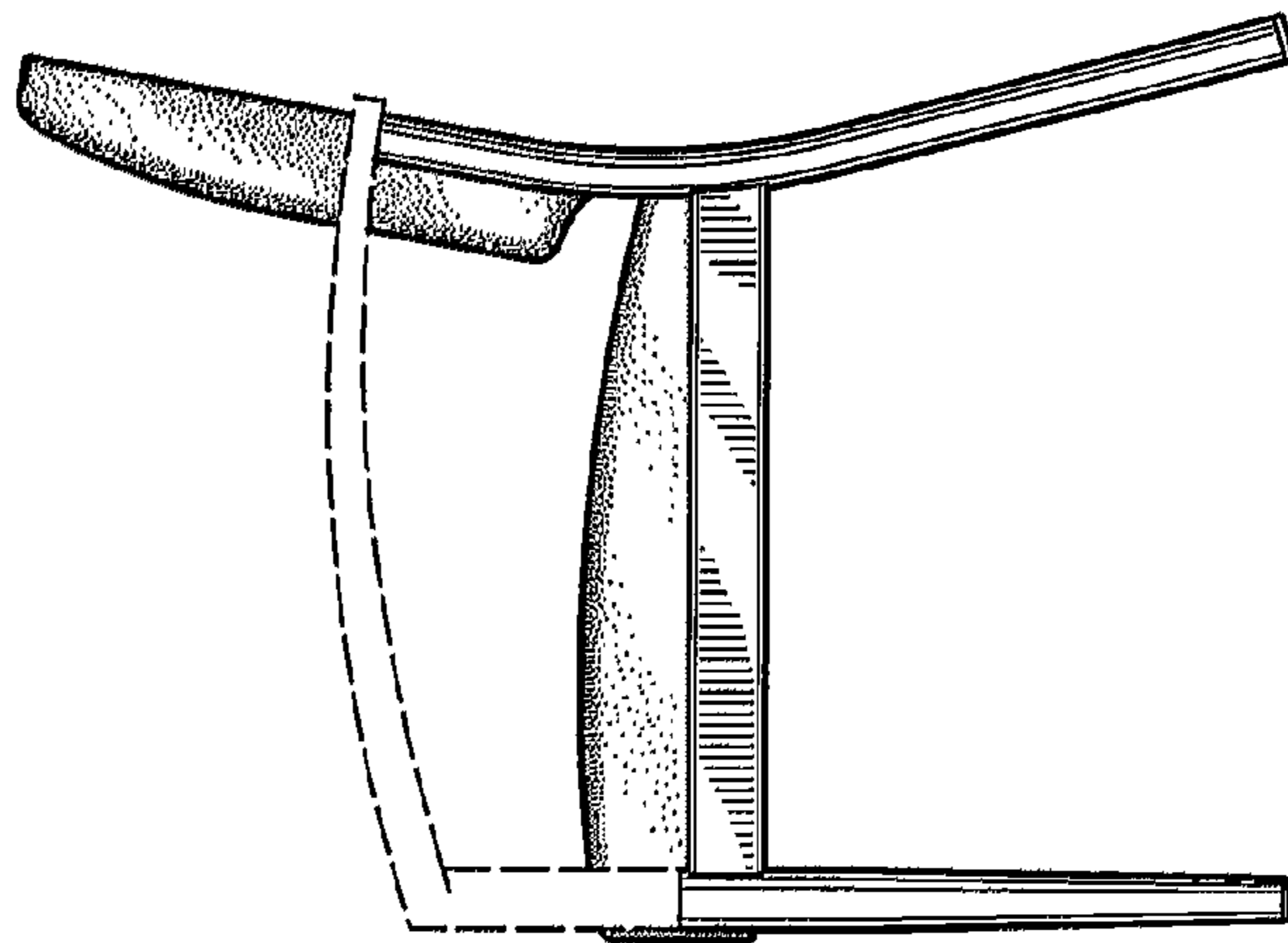


Fig. 21