

US00D663129S

(12) **United States Design Patent**
Greutmann

(10) **Patent No.:** **US D663,129 S**
(45) **Date of Patent:** **** Jul. 10, 2012**

(54) **CHAIR**

(75) Inventor: **Urs Greutmann, Zuerich (CH)**

(73) Assignee: **Stoll Giroflex AG, Koblenz (CH)**

(**) Term: **14 Years**

(21) Appl. No.: **29/375,763**

(22) Filed: **Sep. 27, 2010**

(30) **Foreign Application Priority Data**

Mar. 31, 2010 (WO) DM/073 538

(51) **LOC (9) Cl.** **06-01**

(52) **U.S. Cl.** **D6/366**

(58) **Field of Classification Search** D6/334-336,
D6/364, 365, 366, 367, 371, 372, 373, 374,
D6/376, 379, 380, 498, 500-502; 297/411.28,
297/411.31, 411.36, 445.1, 446.1, 452.21,
297/452.29, 452.3, 452.48

See application file for complete search history.

(56) **References Cited**

U.S. PATENT DOCUMENTS

D394,961 S * 6/1998 Fancelli D6/366
D395,175 S * 6/1998 Fancelli D6/372

D445,613 S * 7/2001 Ginat D6/500
D451,723 S * 12/2001 Grove D6/500
D496,812 S * 10/2004 Chu D6/500
D517,820 S * 3/2006 Citterio D6/366
D544,720 S * 6/2007 Berbegal Perez D6/366
D545,076 S * 6/2007 Dallmann et al. D6/366
D548,993 S * 8/2007 Fancelli D6/366
D562,574 S * 2/2008 Dallmann et al. D6/334
D571,569 S * 6/2008 Fancelli D6/366
D652,647 S * 1/2012 Schaack D6/366

* cited by examiner

Primary Examiner — Mimoso De

(74) *Attorney, Agent, or Firm* — Greenblum & Bernstein,
P.L.C.

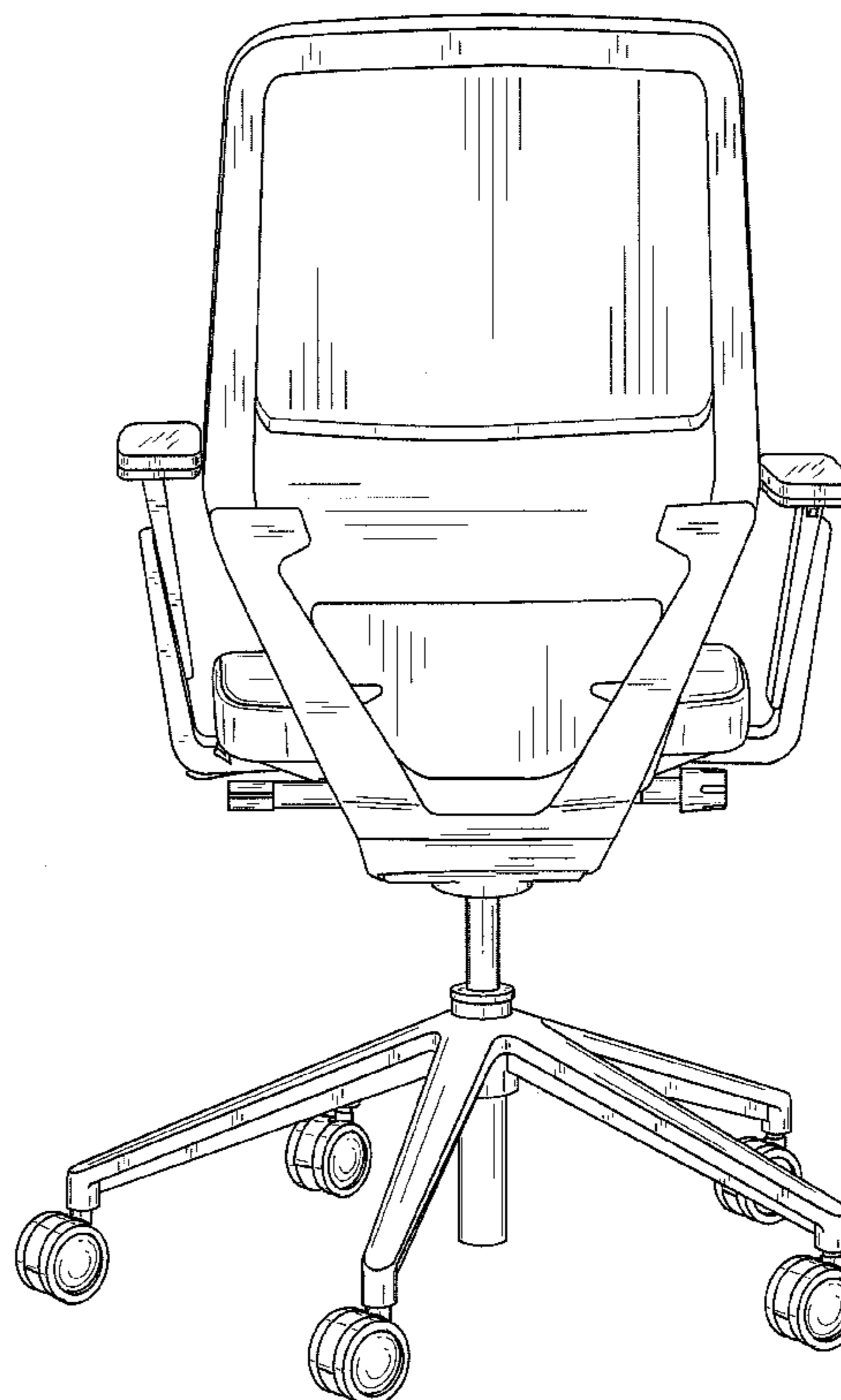
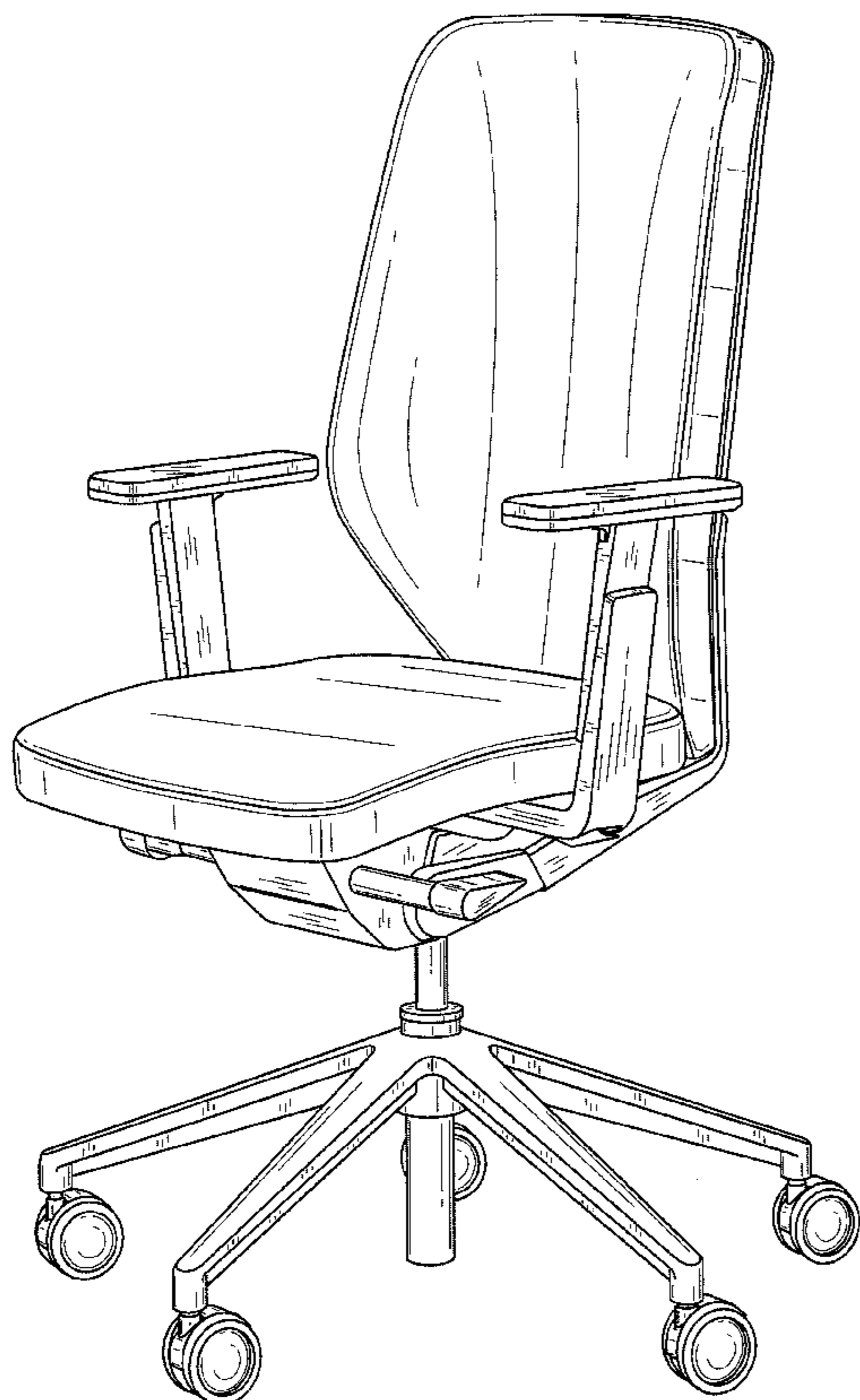
(57) **CLAIM**

I claim the ornamental design for a chair, as shown and described.

DESCRIPTION

FIG. 1 is a front and right side perspective view of a chair showing my new design;
FIG. 2 is a front view thereof;
FIG. 3 is a rear view thereof;
FIG. 4 is a left side view thereof;
FIG. 5 is a right side view thereof;
FIG. 6 is a top view thereof; and,
FIG. 7 is a bottom view thereof.

1 Claim, 7 Drawing Sheets



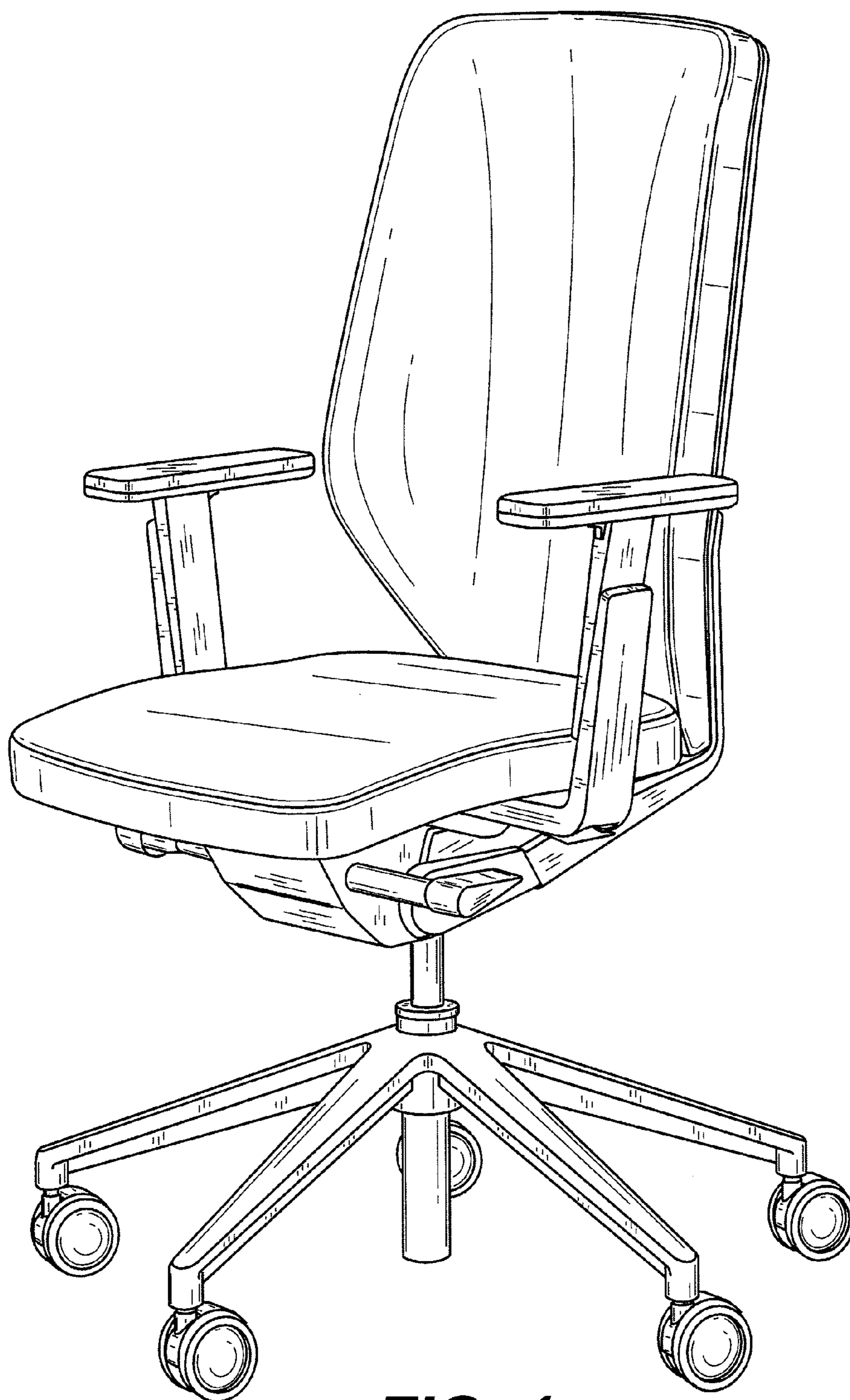


FIG. 1

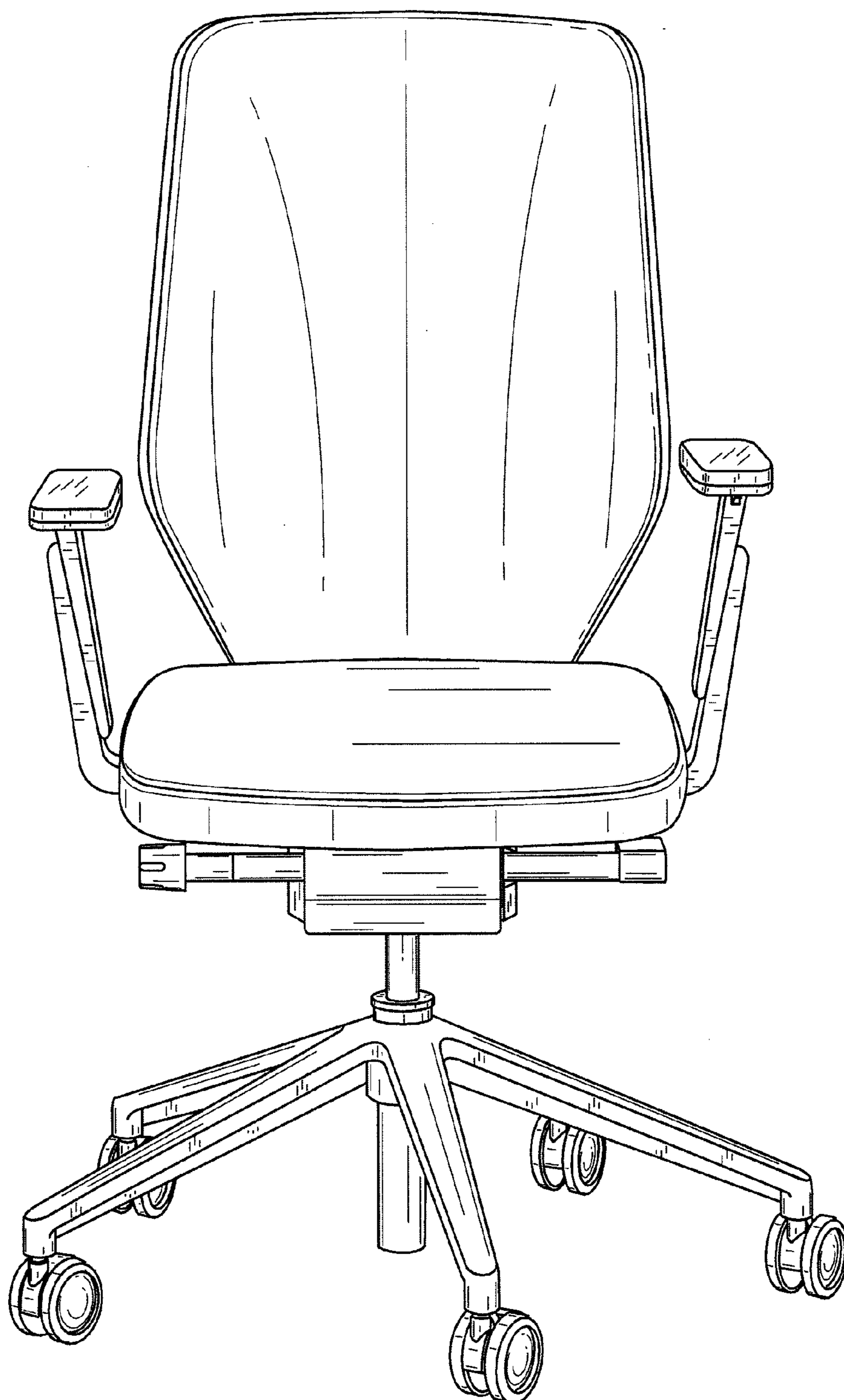


FIG. 2

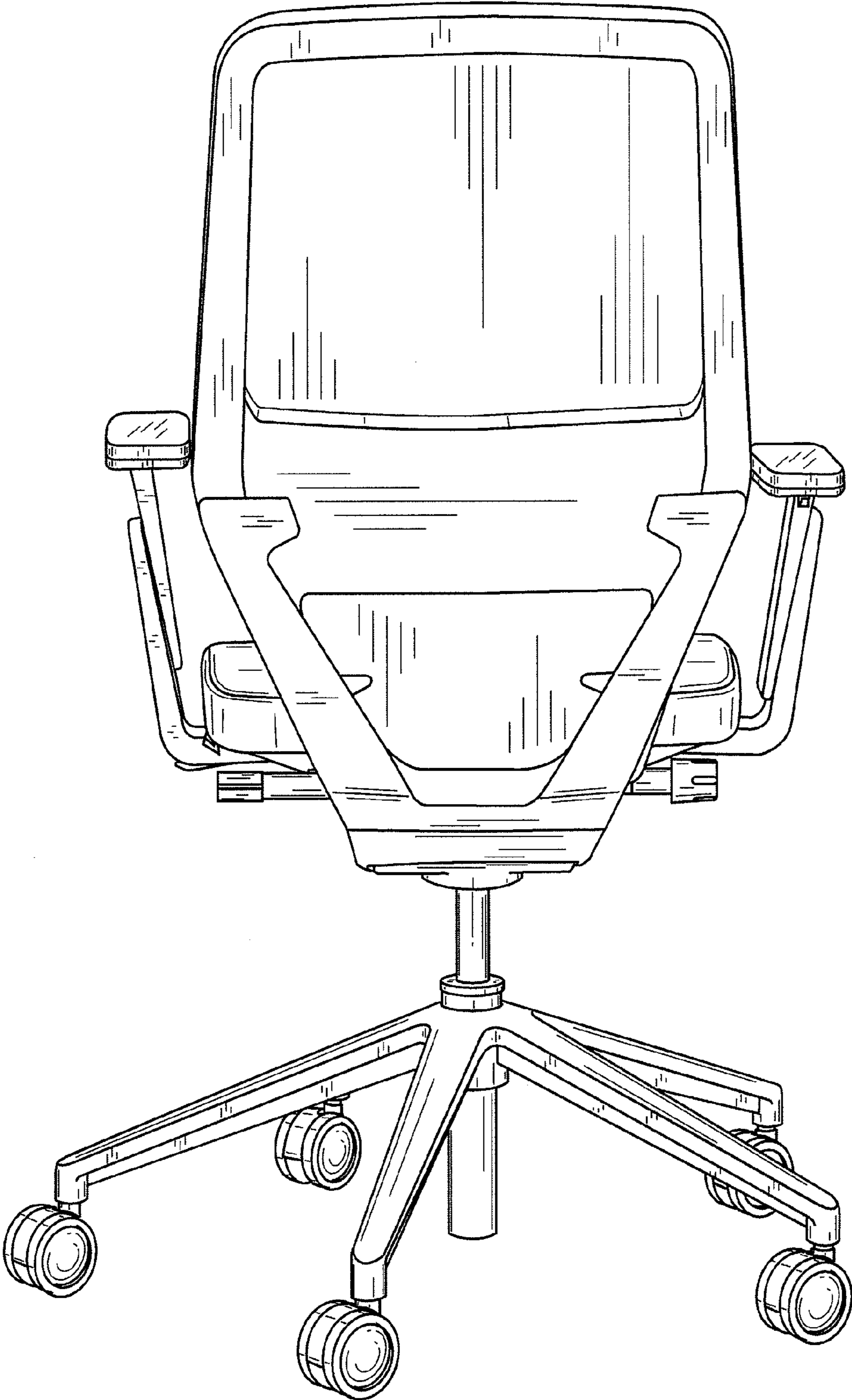


FIG. 3

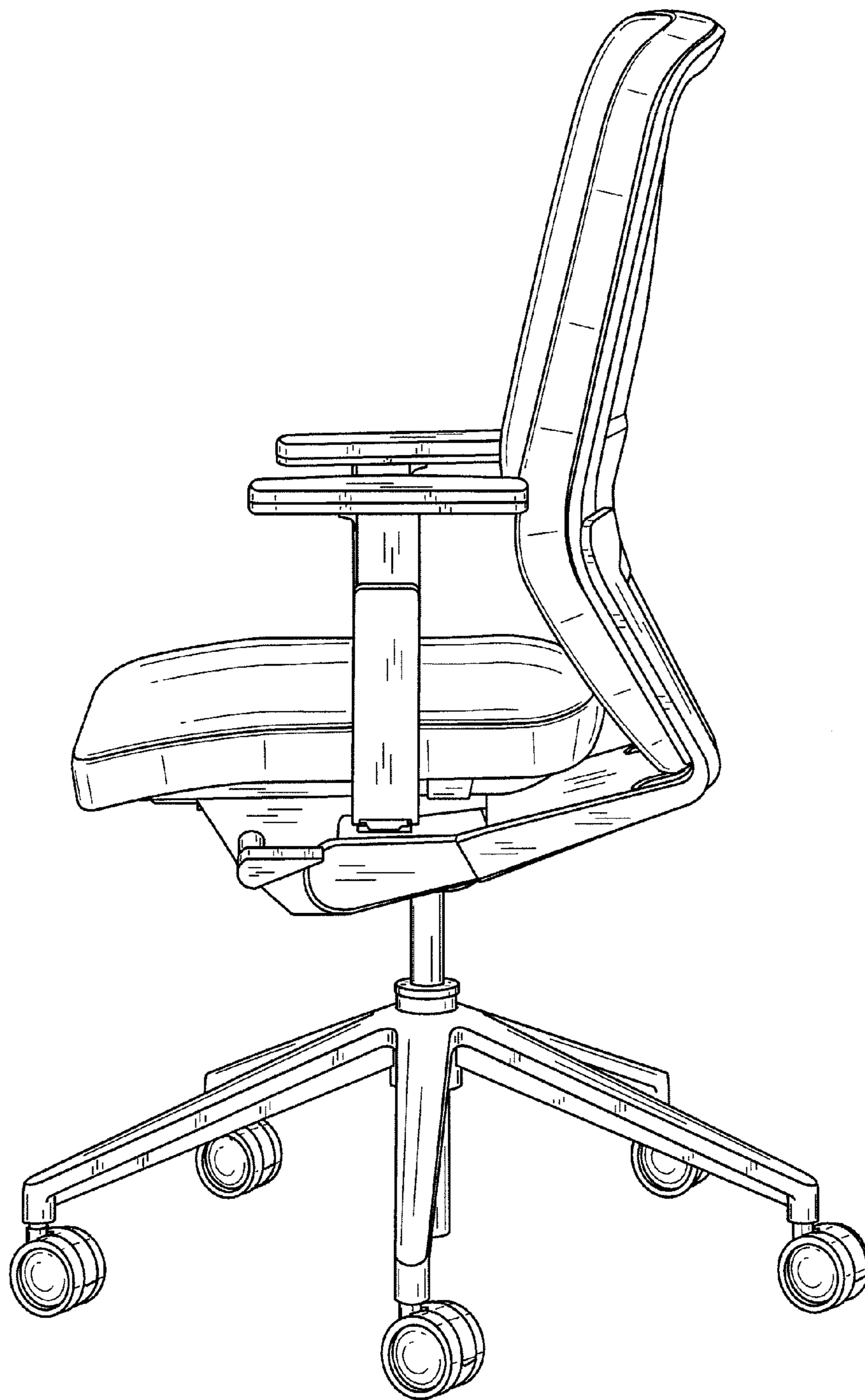


FIG. 4

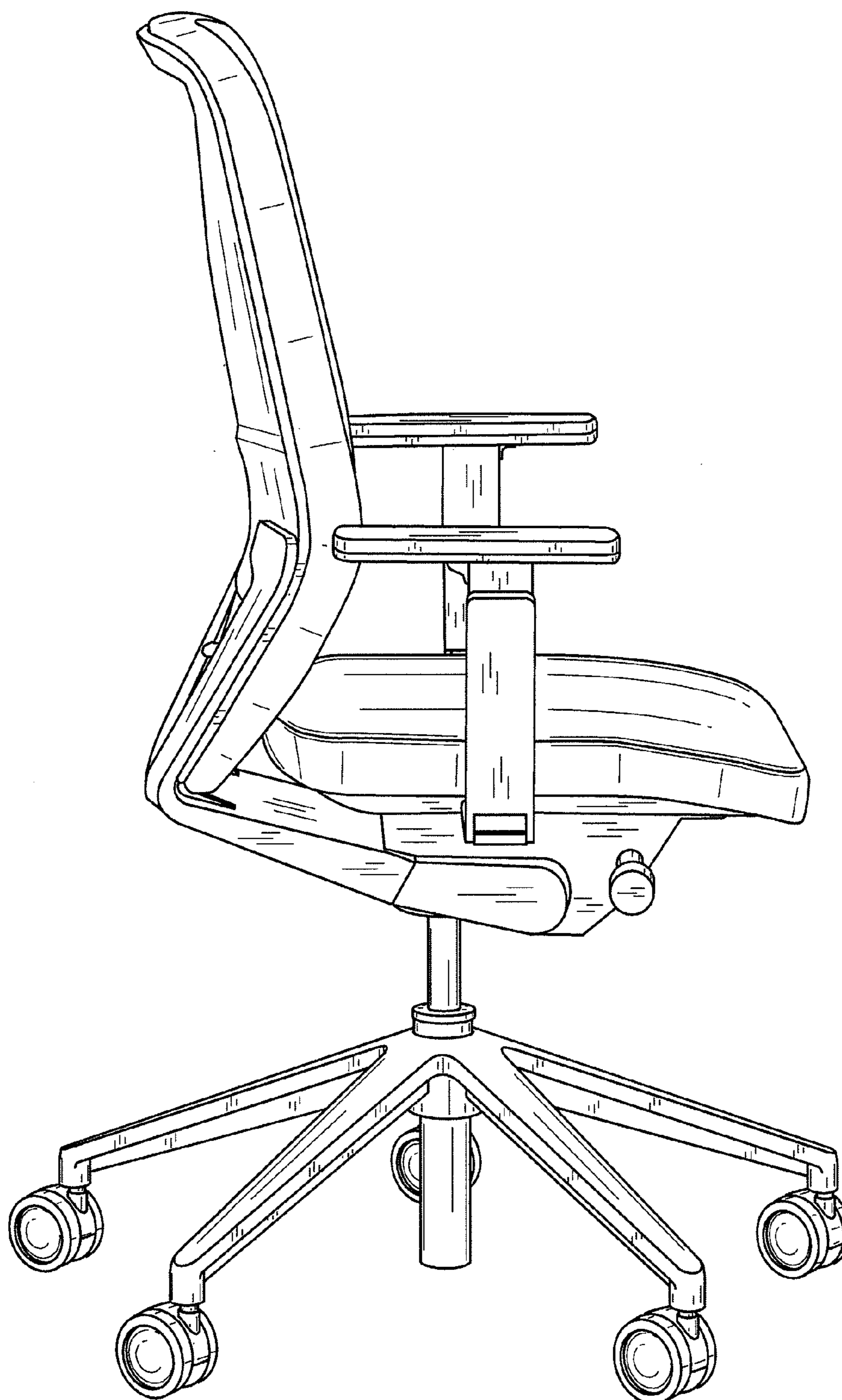


FIG. 5

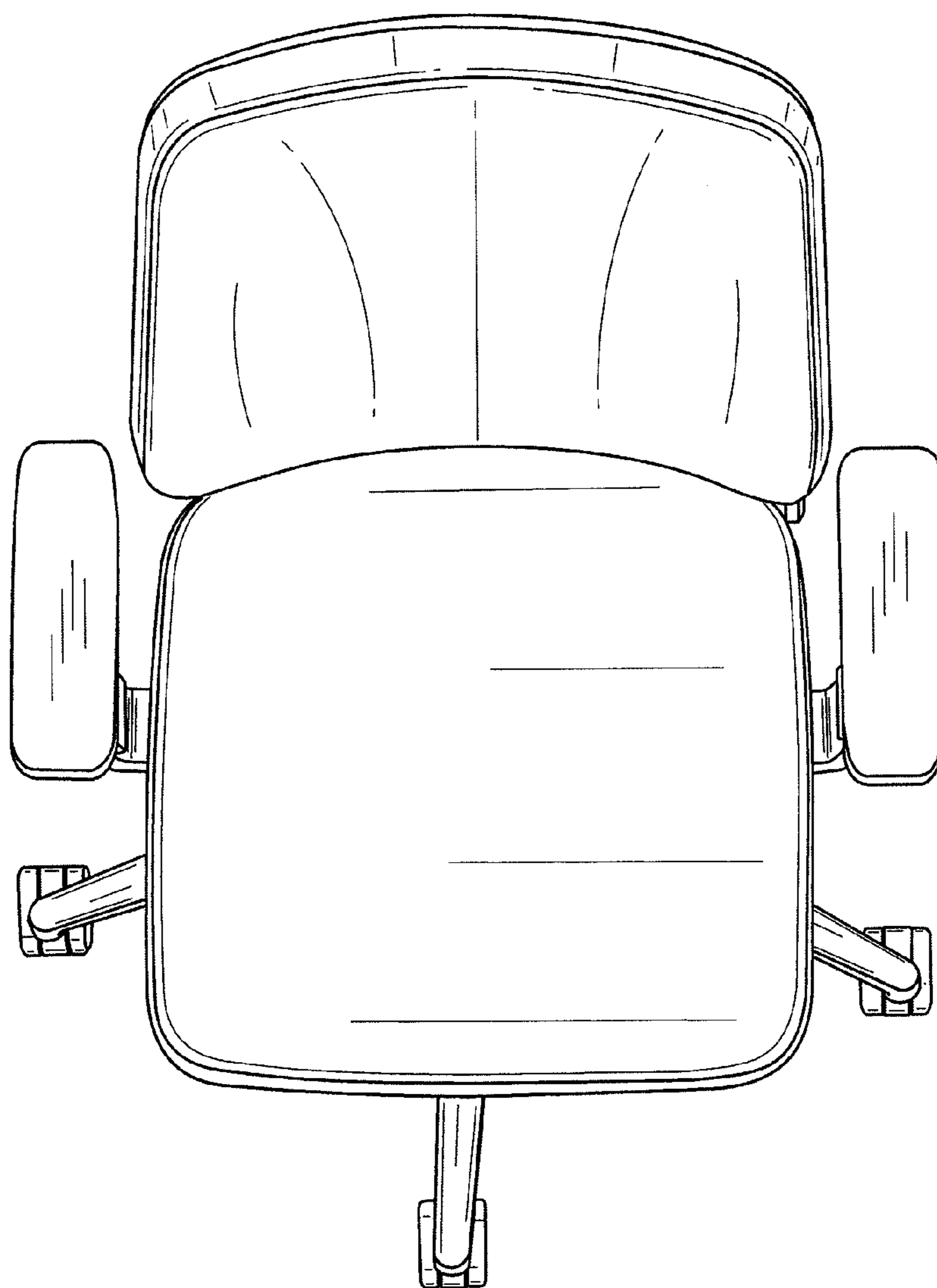


FIG. 6

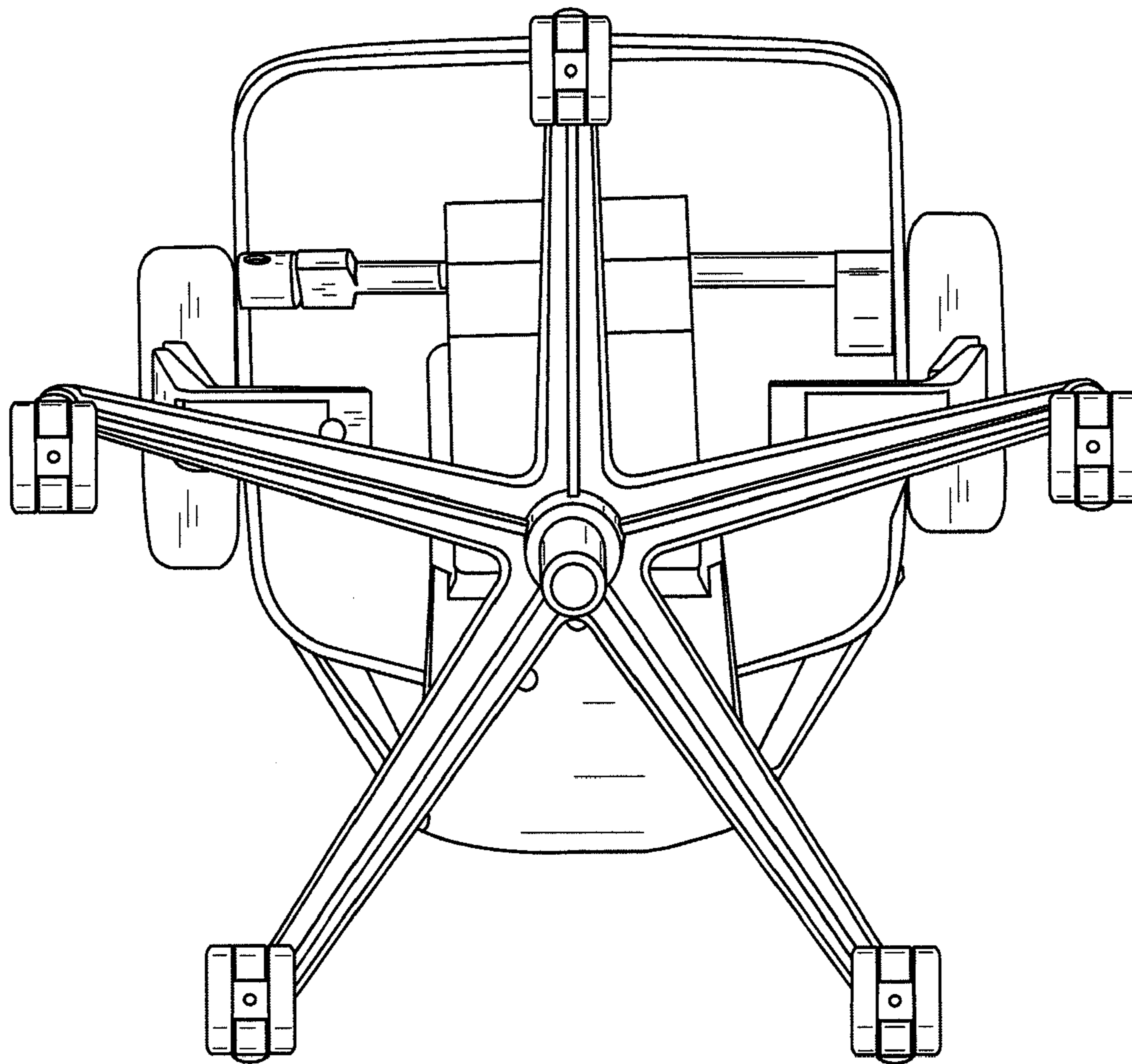


FIG. 7