

US00D663128S

(12) **United States Design Patent**
Joly

(10) **Patent No.:** **US D663,128 S**

(45) **Date of Patent:** **** *Jul. 10, 2012**

(54) **TUBULAR OTTOMAN**

(75) Inventor: **Sylvain Joly**, Marolles En Brie (FR)

(73) Assignee: **Chateau d'Ax S.p.A.**, Milan (IT)

(*) Notice: This patent is subject to a terminal disclaimer.

(**) Term: **14 Years**

(21) Appl. No.: **29/377,360**

(22) Filed: **Oct. 20, 2010**

(51) **LOC (9) Cl.** **06-01**

(52) **U.S. Cl.** **D6/349**

(58) **Field of Classification Search** D6/340,
D6/349-354, 355, 491, 492, 500-502; 297/16.1,
297/16.2, 175, 181, 186, 187, 195.1, 215.16,
297/440.12, 461, 462, DIG. 2

See application file for complete search history.

(56) **References Cited**

U.S. PATENT DOCUMENTS

2,164,715	A *	7/1939	Krainbill	297/115
2,696,870	A *	12/1954	Mende	297/105
2,822,861	A *	2/1958	Parent	248/394
D184,081	S *	12/1958	Belz	D6/336

D290,559	S *	6/1987	Raftery	D6/381
D290,788	S *	7/1987	Raftery	D6/355
D382,124	S *	8/1997	Chandler	D6/349
D597,328	S *	8/2009	Schweikarth et al.	D6/355
D614,876	S *	5/2010	Metcalf et al.	D6/349
D618,935	S *	7/2010	Metcalf et al.	D6/484

* cited by examiner

Primary Examiner — Sandra Snapp

(74) *Attorney, Agent, or Firm* — Curtis, Mallet-Prevost, Colt & Mosle, LLP

(57) **CLAIM**

The ornamental design for the tubular ottoman, as shown and described.

DESCRIPTION

FIG. 1 is a perspective view of the new ornamental tubular ottoman of the present invention.

FIG. 2 is a front view thereof.

FIG. 3 is a rear view thereof.

FIG. 4 is a left view thereof.

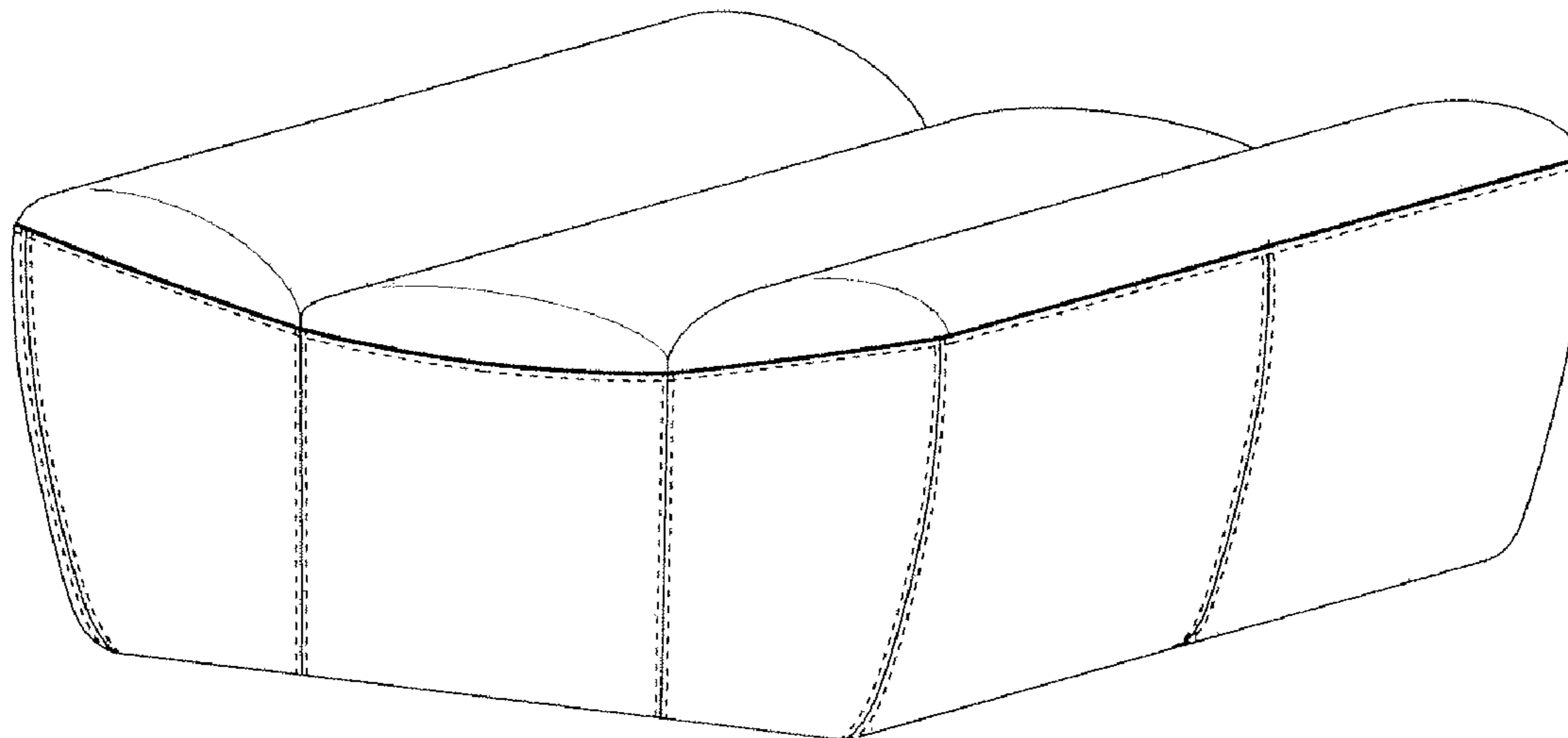
FIG. 5 is a right view thereof.

FIG. 6 is a top view thereof; and,

FIG. 7 is a bottom view thereof.

The broken lines shown in the drawings are understood to represent stitching.

1 Claim, 5 Drawing Sheets



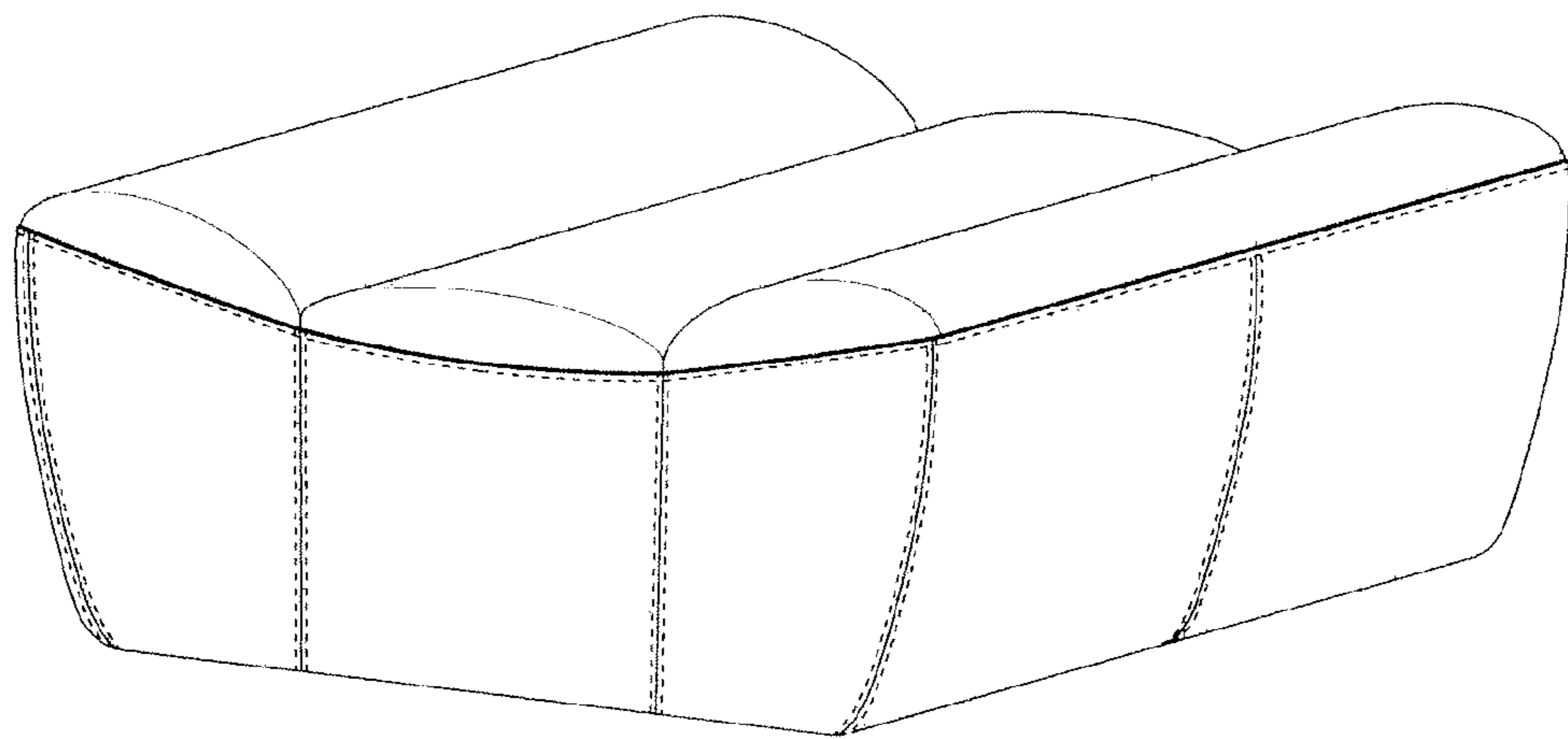


FIG. 1

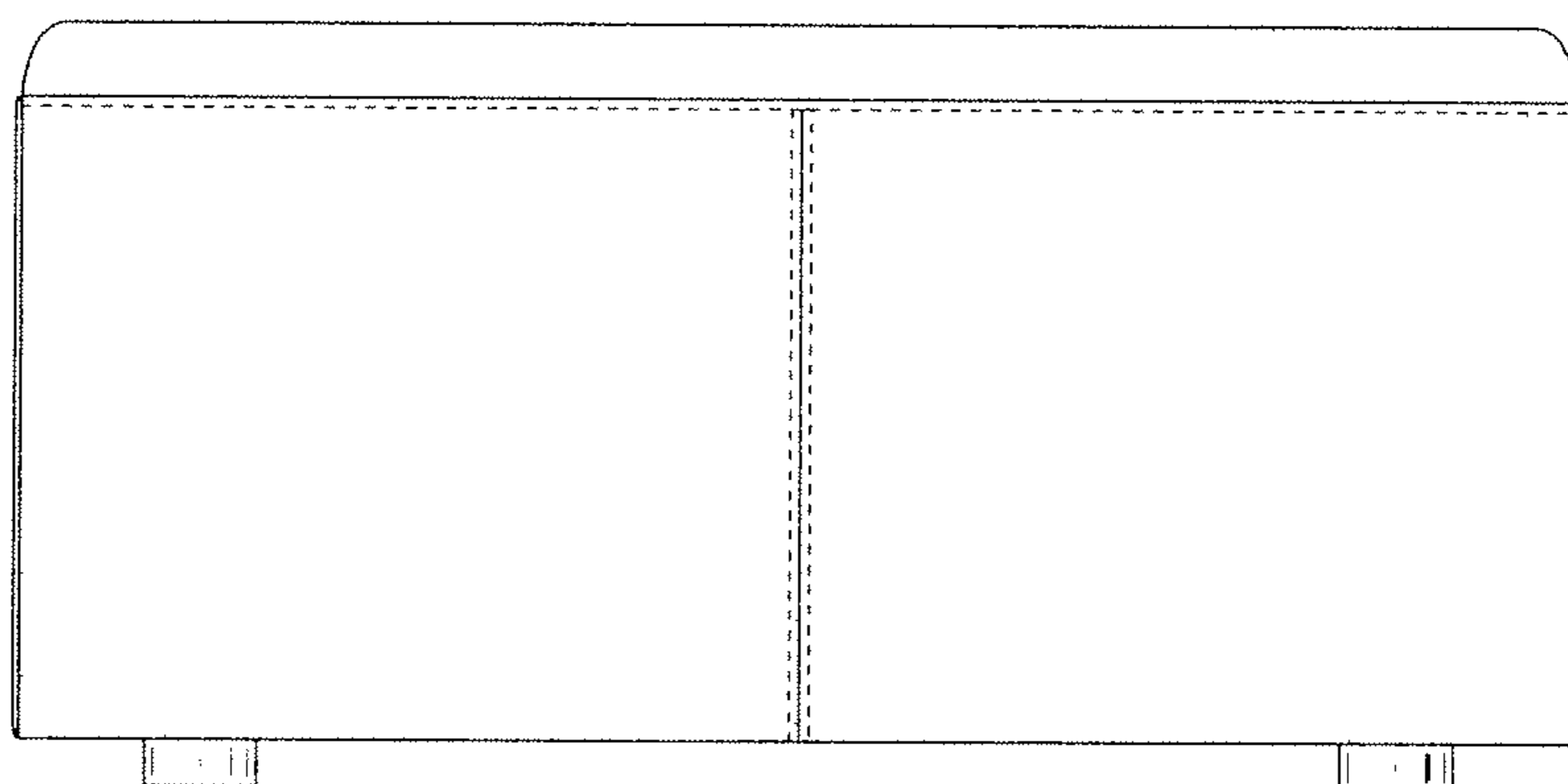


FIG. 2

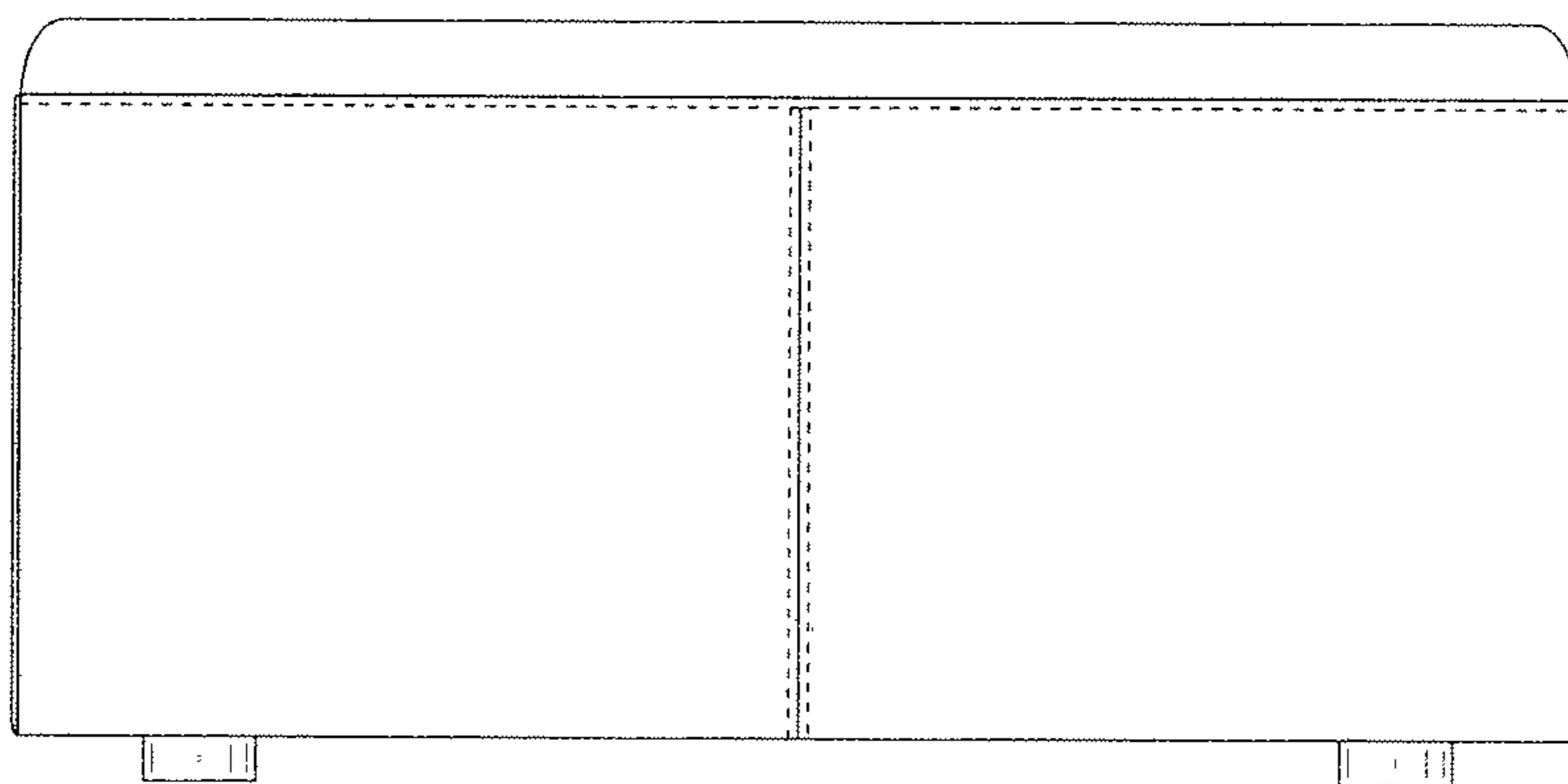


FIG. 3

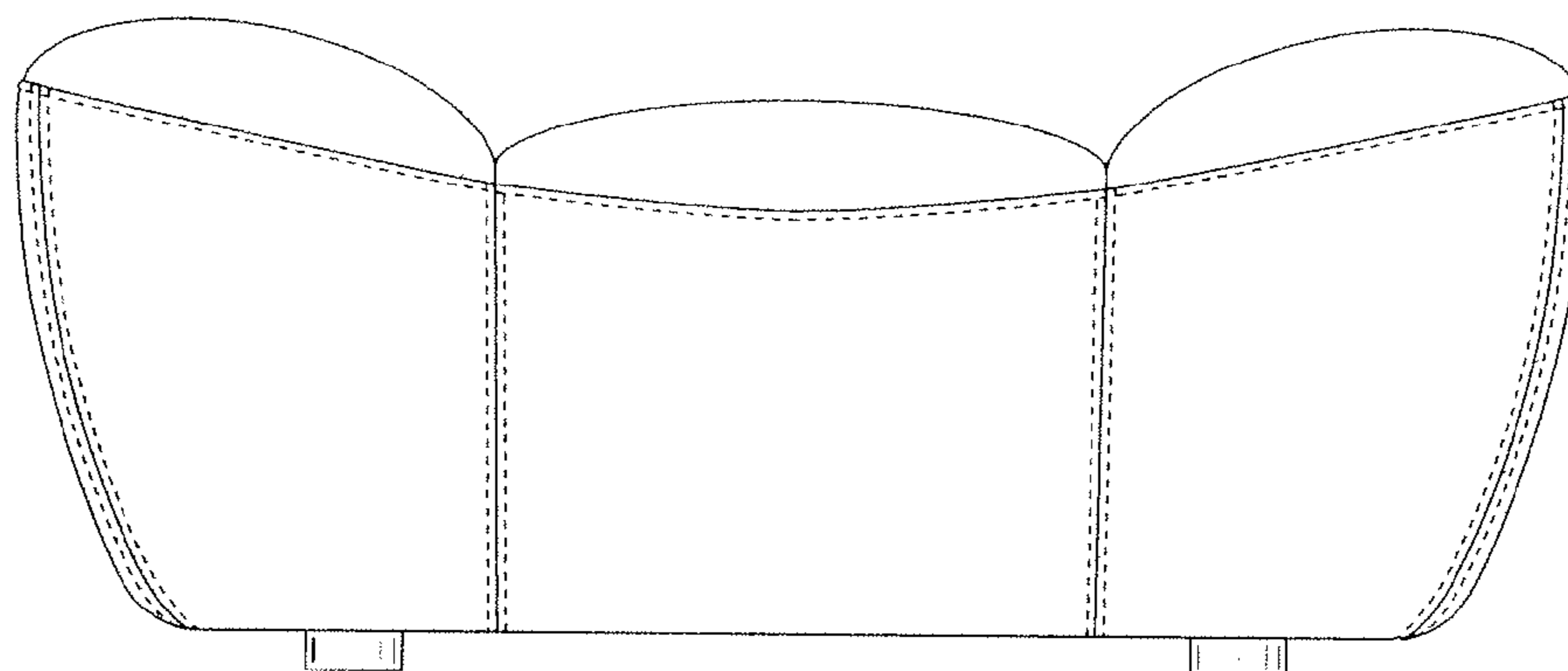


FIG. 4

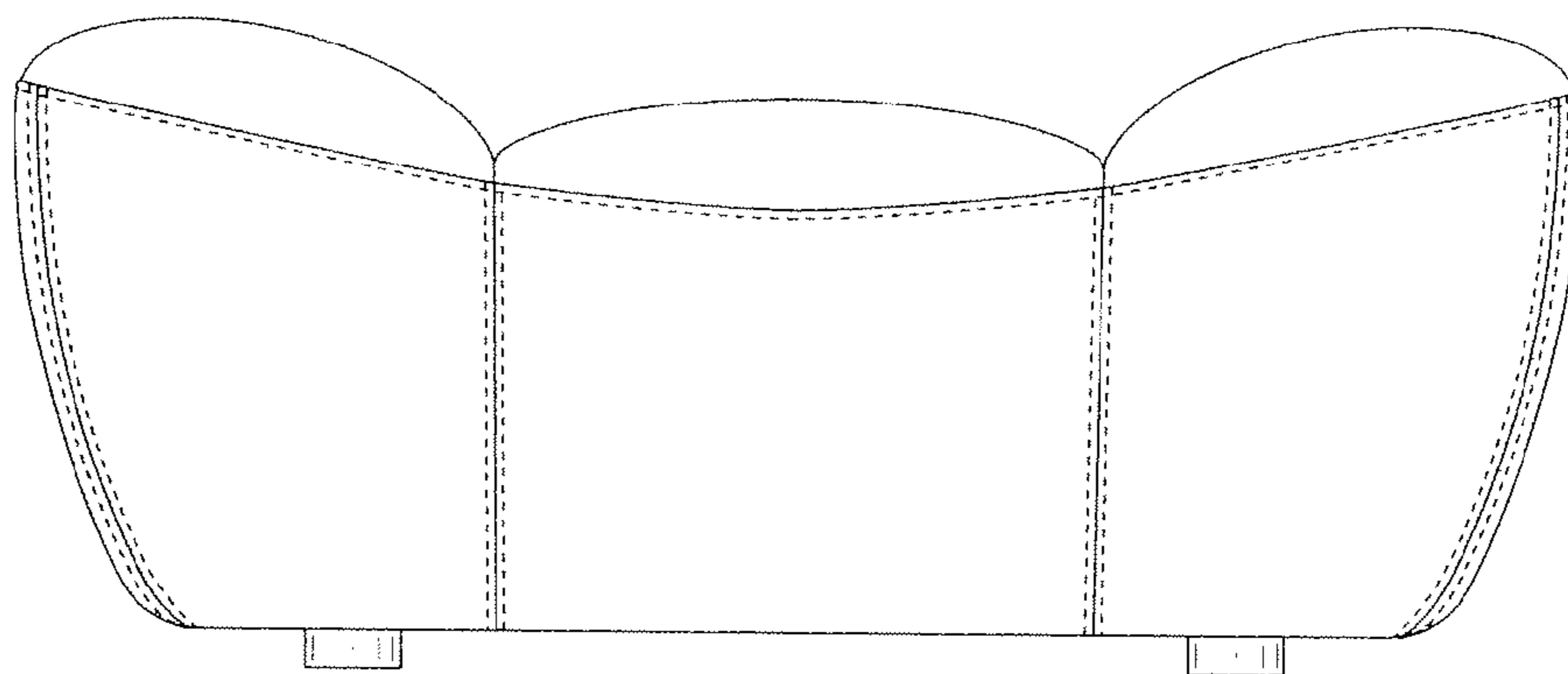


FIG. 5

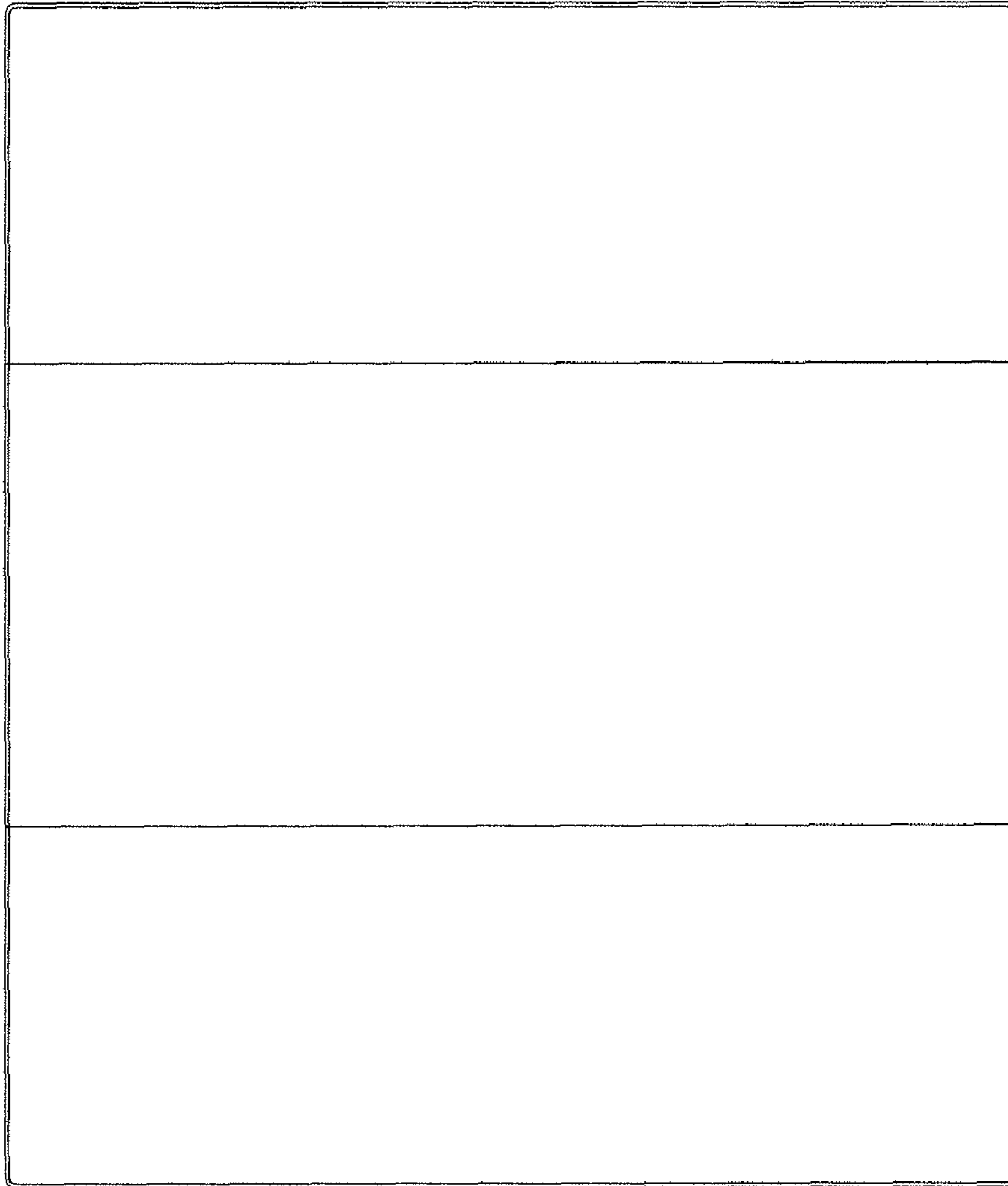


FIG. 6

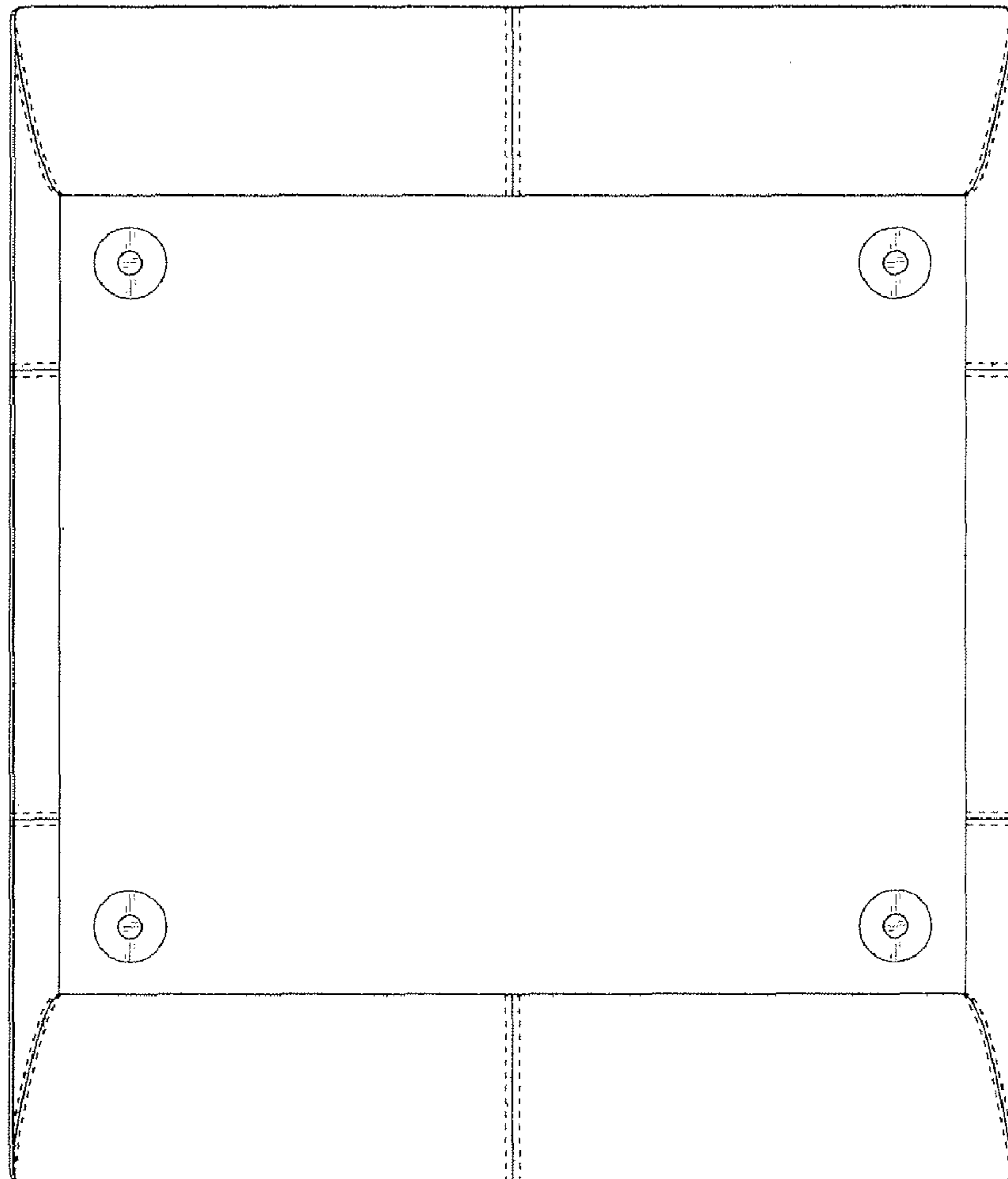


FIG. 7