



US00D663125S

(12) **United States Design Patent**  
**Zemel**

(10) **Patent No.:** **US D663,125 S**  
(45) **Date of Patent:** **\*\* Jul. 10, 2012**

(54) **GRILL BRUSH**

(75) Inventor: **Marc Zemel**, Melville, NY (US)

(73) Assignee: **Mr. BAR-B-Q-, Inc.**, Old Bethpage, NY (US)

(\*\*) Term: **14 Years**

(21) Appl. No.: **29/417,698**

(22) Filed: **Apr. 6, 2012**

(51) **LOC (9) Cl.** ..... **04-01**

(52) **U.S. Cl.** ..... **D4/131**

(58) **Field of Classification Search** ..... D4/119,  
D4/120, 131, 132, 134, 114, 118; 15/159.1,  
15/160, 106, 114, 118, 206

See application file for complete search history.

(56) **References Cited**

**U.S. PATENT DOCUMENTS**

2,186,832	A *	1/1940	Hertzberg	.....	15/114
4,146,943	A *	4/1979	Wertheimer et al.	.....	15/111
D307,077	S *	4/1990	Bryant	.....	D4/138
D358,491	S *	5/1995	Hoagland	.....	D4/138
D366,962	S *	2/1996	Whitaker	.....	D4/116
D400,328	S *	10/1998	Zemel	.....	D32/49
D429,889	S *	8/2000	Fielding	.....	D4/118
D459,586	S *	7/2002	Cummings et al.	.....	D4/118
6,438,784	B1 *	8/2002	Yu	.....	15/106
D468,107	S *	1/2003	Shen	.....	D4/118
D502,323	S *	3/2005	Zemel	.....	D4/120
D589,705	S *	4/2009	Zemel	.....	D4/119
D601,345	S *	10/2009	Wales	.....	D4/118
D601,346	S *	10/2009	Wales	.....	D4/119

D601,347	S *	10/2009	Wales	.....	D4/122
D601,350	S *	10/2009	Wales	.....	D4/199
D601,808	S *	10/2009	Wales	.....	D4/119
D632,088	S *	2/2011	Zemel	.....	D4/131
D652,629	S *	1/2012	Zemel	.....	D4/131
D653,037	S *	1/2012	Enders et al.	.....	D4/116
D654,272	S *	2/2012	Zemel	.....	D4/131
D655,511	S *	3/2012	Zemel	.....	D4/131
D658,894	S *	5/2012	Zemel	.....	D4/131

\* cited by examiner

*Primary Examiner* — Austin Murphy

(74) *Attorney, Agent, or Firm* — Carter, DeLuca, Farrell & Schmidt LLP

(57) **CLAIM**

The ornamental design for a grill brush, as shown and described.

**DESCRIPTION**

FIG. 1 is a front side perspective view of a grill brush in accordance with the present design;

FIG. 2 is a right side elevational view thereof;

FIG. 3 is a left side elevational view thereof;

FIG. 4 is a front elevational view thereof;

FIG. 5 is a rear elevational view thereof;

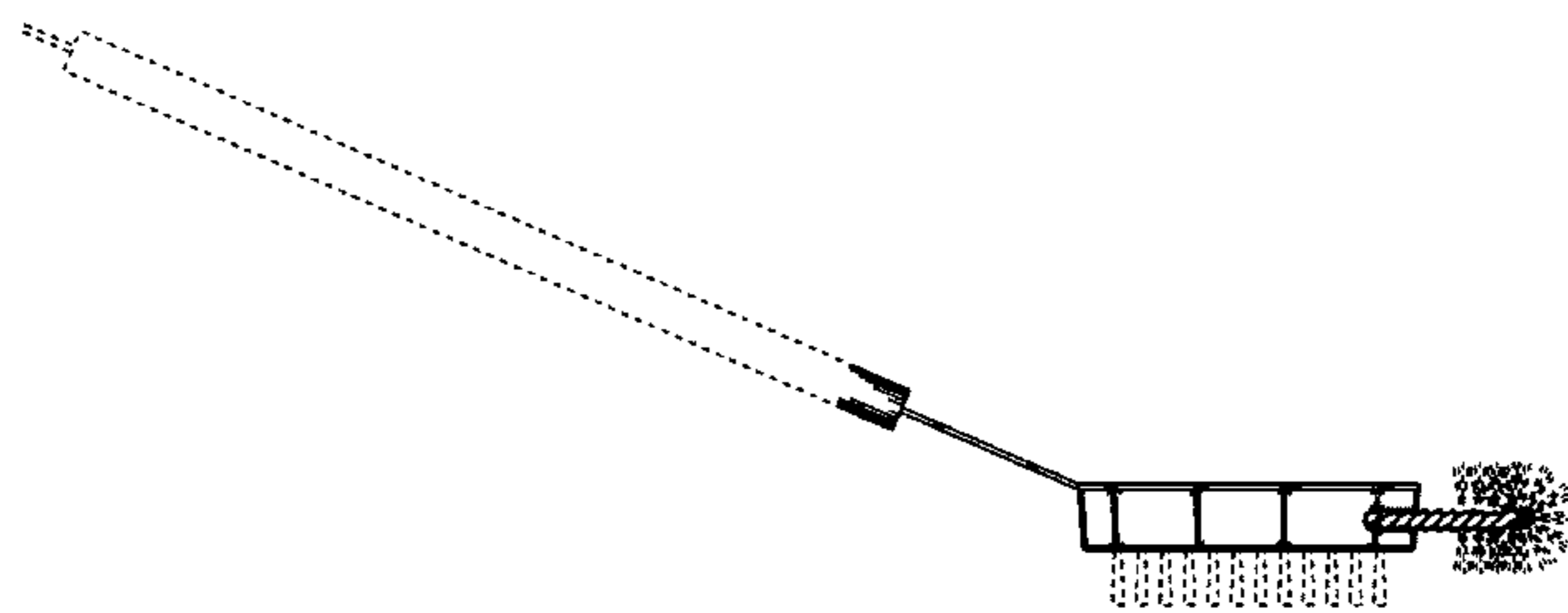
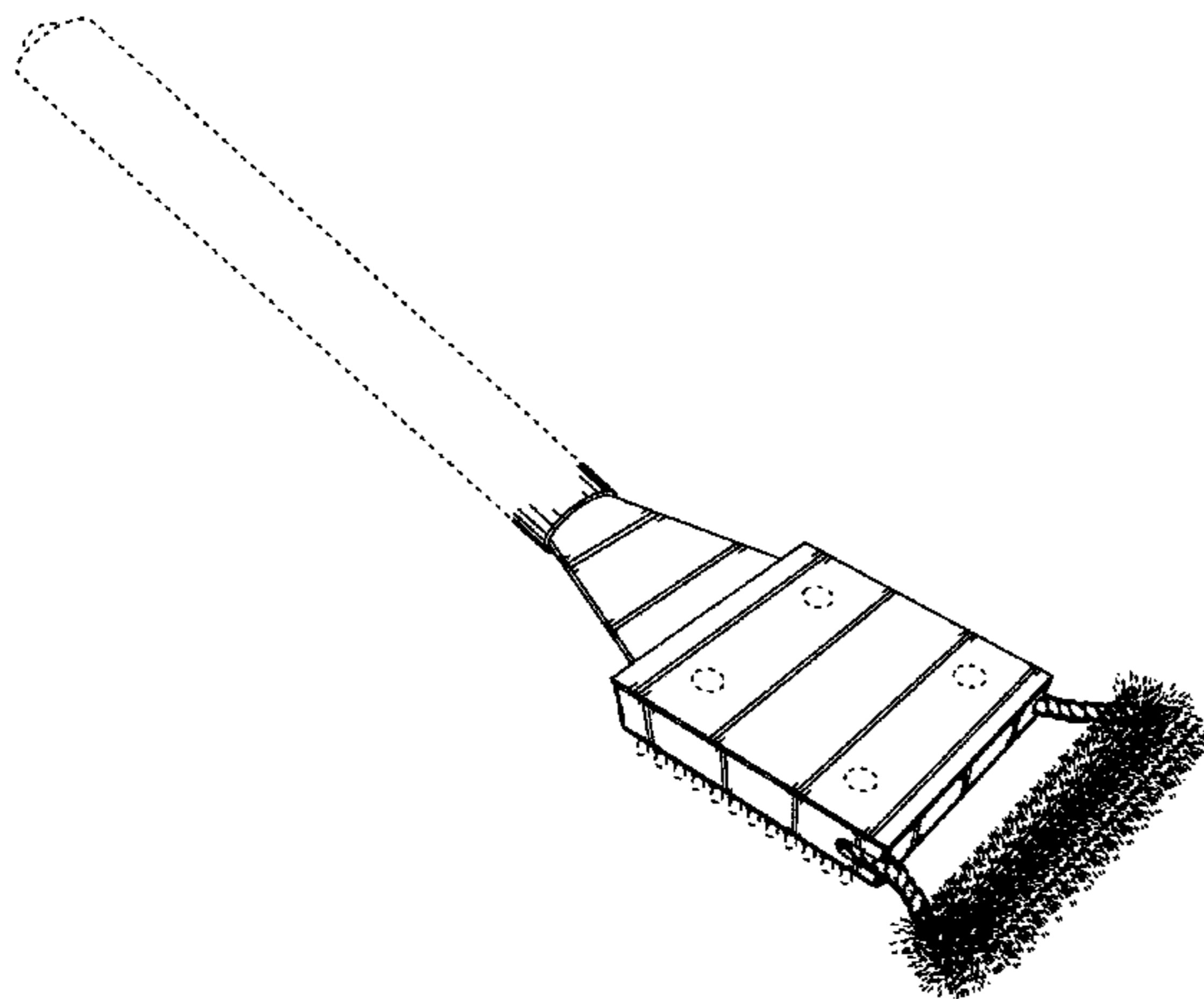
FIG. 6 is a top plan view thereof; and,

FIG. 7 is a bottom plan view thereof.

The broken lines shown are included for the purpose of illustrating a portion of the grill brush that forms no part of the claimed design.

The stippling in the drawings is for shading purposes only.

**1 Claim, 5 Drawing Sheets**



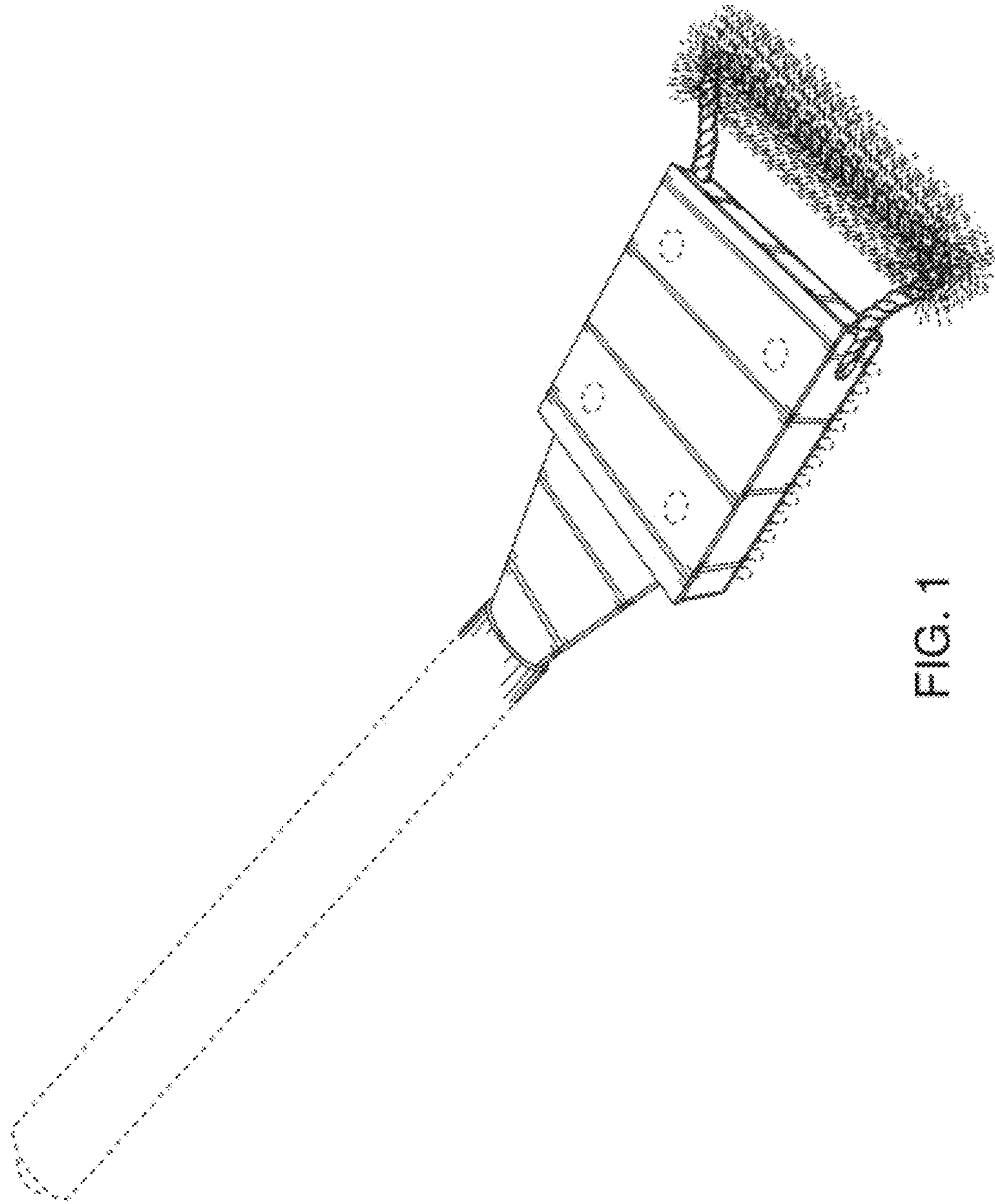


FIG. 1

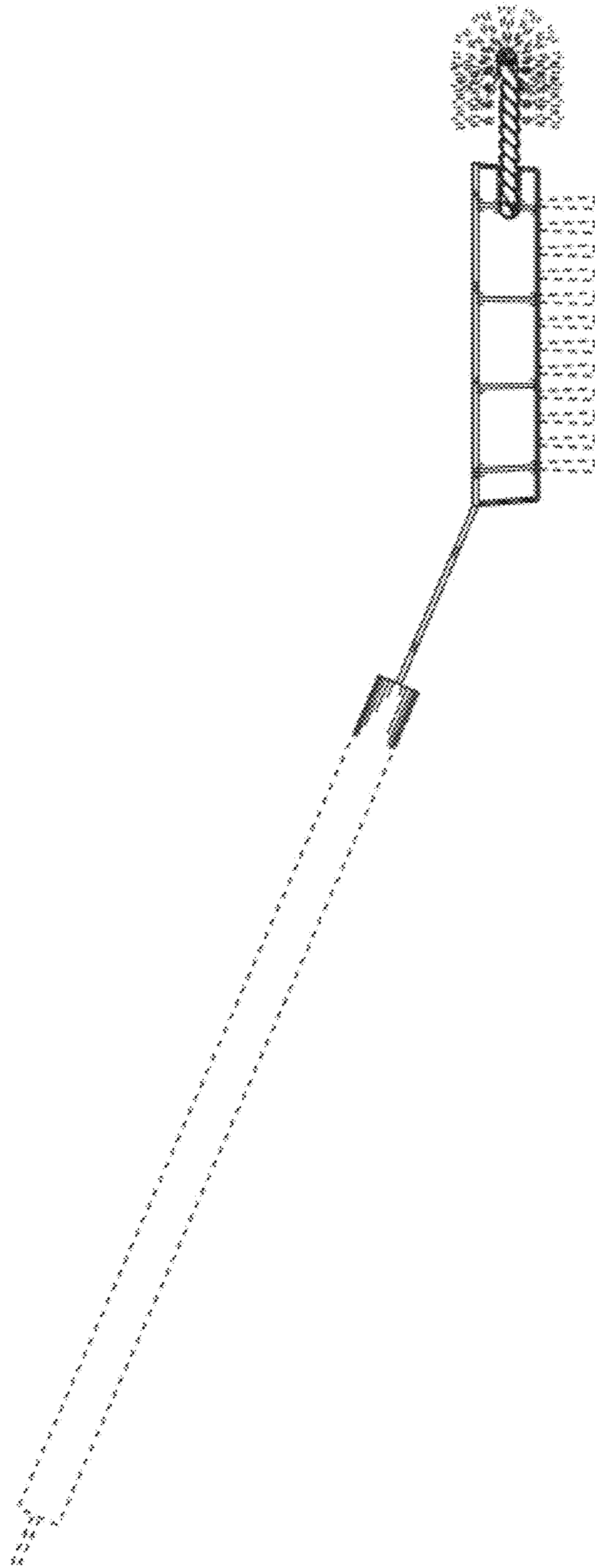


FIG. 2

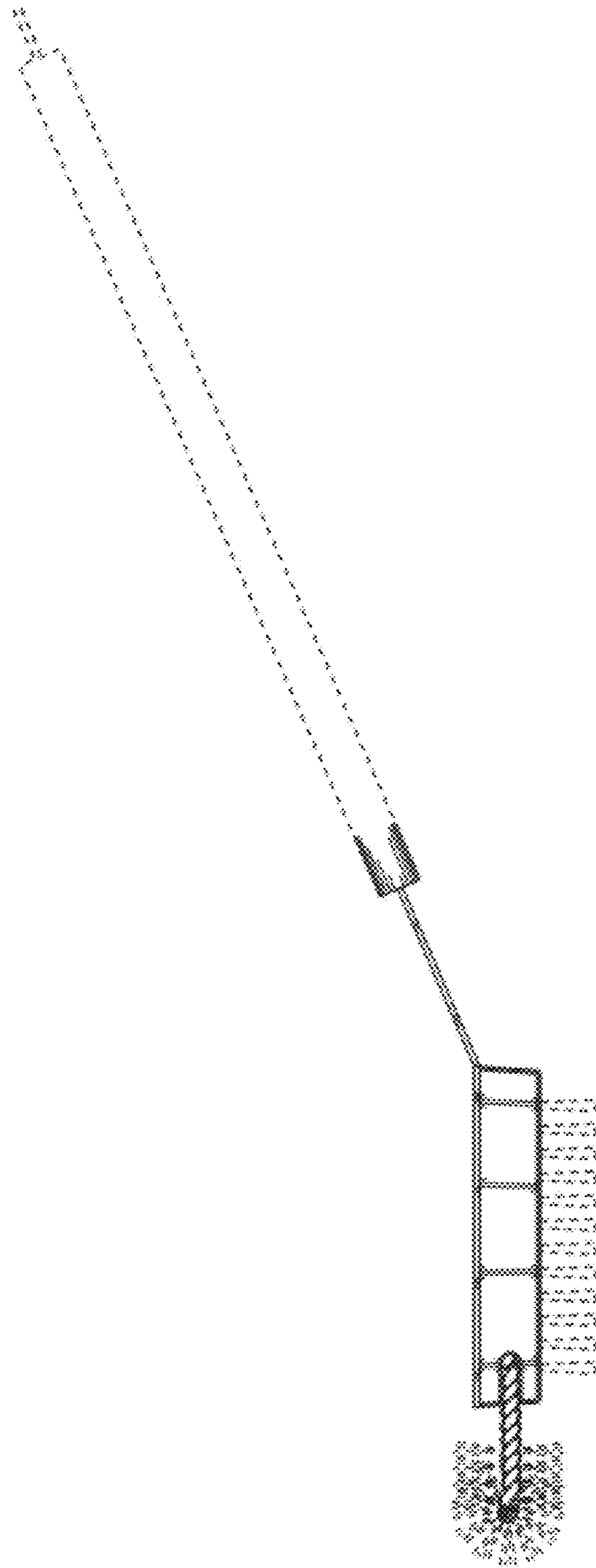


FIG. 3

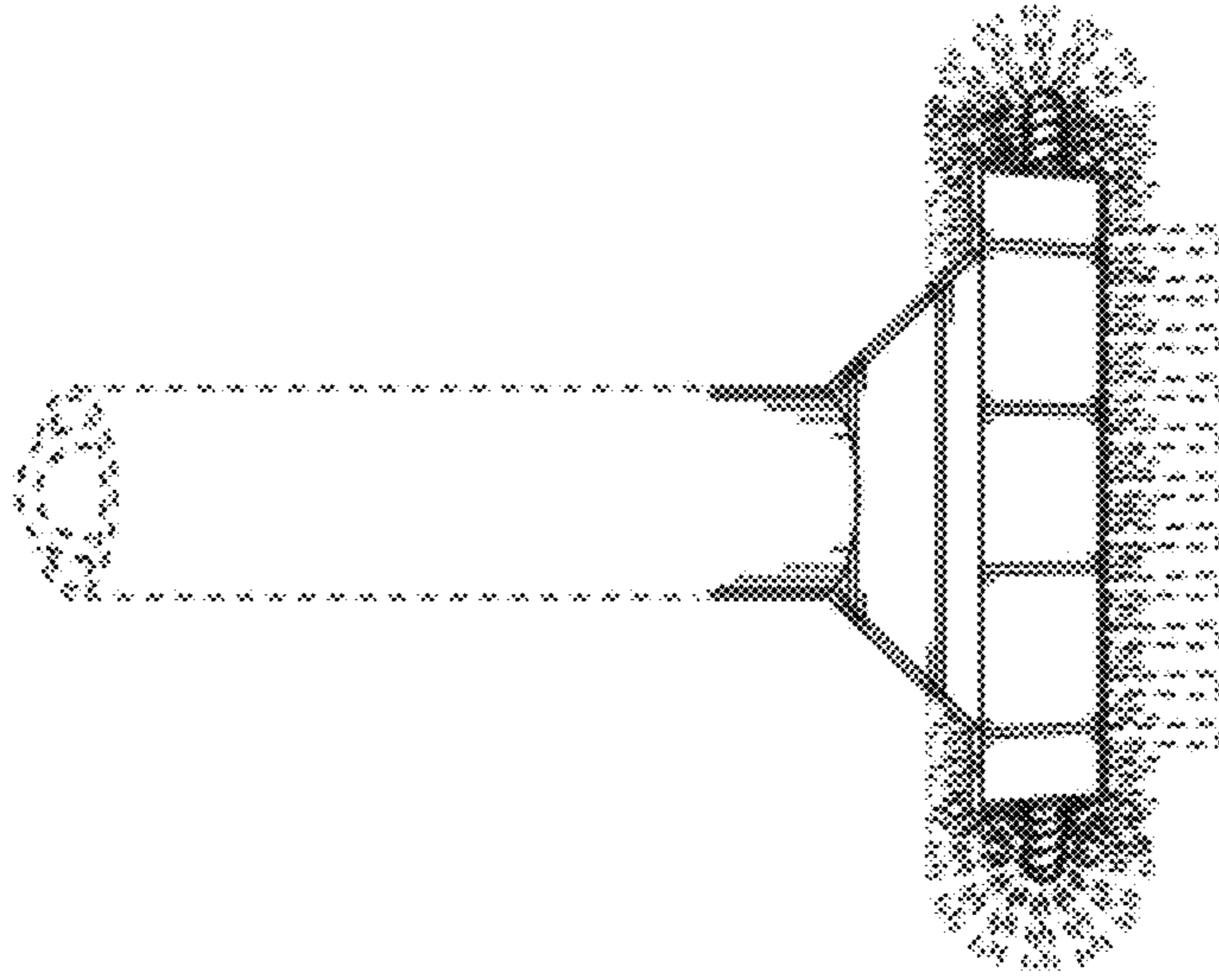


FIG. 5

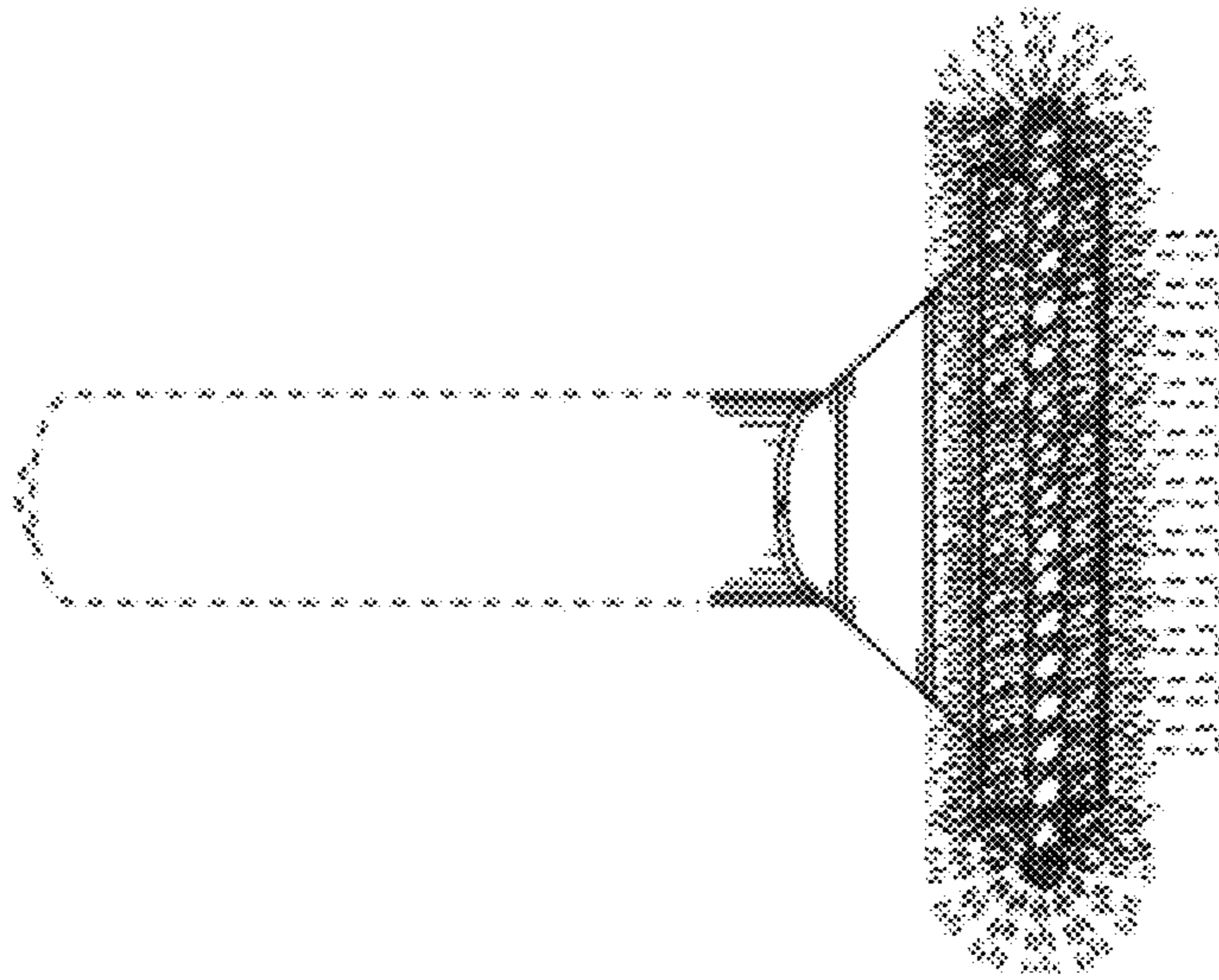


FIG. 4

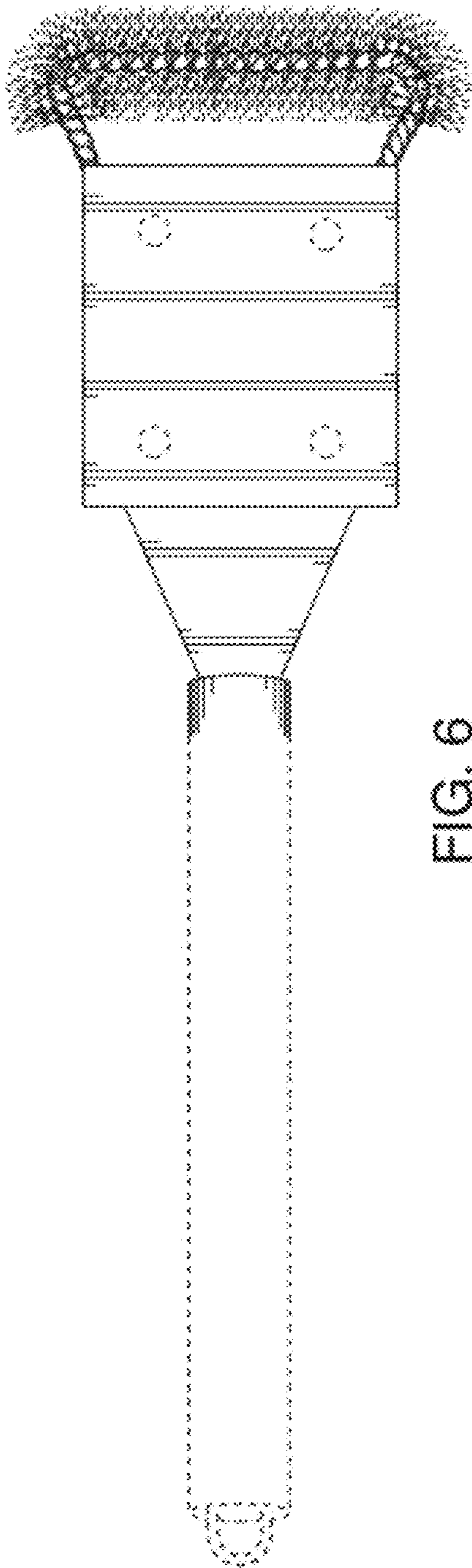


FIG. 6

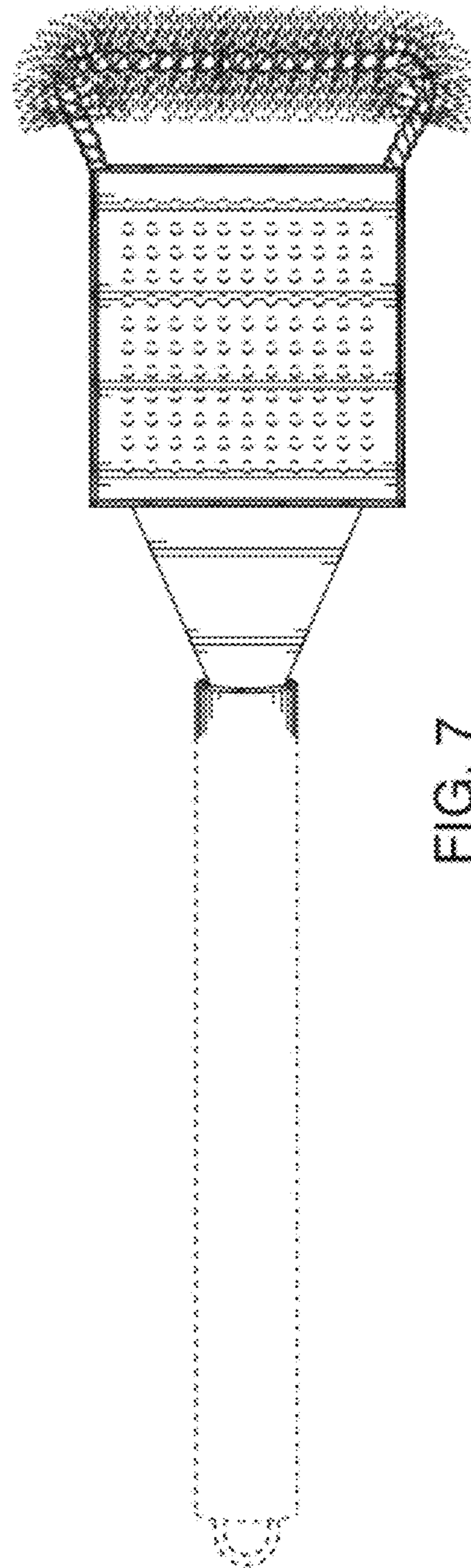


FIG. 7