

US00D663124S

(12) **United States Design Patent**  
**Prince**

(10) **Patent No.:** **US D663,124 S**  
(45) **Date of Patent:** **\*\* Jul. 10, 2012**

(54) **COMBINED KEYBOARD BRUSH HANDLE AND BASE**

(76) Inventor: **Michael D. Prince**, Chicago, IL (US)

(\*\*) Term: **14 Years**

(21) Appl. No.: **29/366,872**

(22) Filed: **Jul. 30, 2010**

(51) **LOC (9) Cl.** ..... **04-01**

(52) **U.S. Cl.** ..... **D4/116; D4/138**

(58) **Field of Classification Search** ..... D4/116,  
D4/121, 128, 131, 138; D6/551; D7/393,  
D7/395, 401.2; D8/107; 206/209, 209.1,  
206/361, 362.2, 362.3; 211/65, 69.5; 248/110,  
248/111; 15/104.92, 143.1, 159.1, 160, 206,  
15/257.05, 145, 184, 191.1, 192, 193; 16/110.1,  
16/422, 430

See application file for complete search history.

(56) **References Cited**

**U.S. PATENT DOCUMENTS**

D19,030 S	4/1889	Lee	
581,323 A *	4/1897	Wright	15/257.05
D49,548 S *	8/1916	Richard, Jr.	D7/649
2,703,898 A *	3/1955	Kellett	15/257.05
4,600,328 A	7/1986	Clements	
4,864,677 A	9/1989	Levy	
5,299,341 A	4/1994	Wakao	
D377,121 S *	1/1997	Lee	D4/111
D400,408 S *	11/1998	Schulze	D7/665
6,298,514 B1	10/2001	Lazich et al.	
D454,254 S	3/2002	Hellinger et al.	
D454,804 S	3/2002	Zuniga	
D484,879 S	1/2004	Jones	
D485,269 S	1/2004	Jones et al.	
D489,069 S	4/2004	Lin	
D494,571 S	8/2004	Polito	
D499,086 S	11/2004	Polito	
D504,020 S *	4/2005	Willette	D4/131
D518,907 S	4/2006	Leung	
D536,529 S *	2/2007	Antler	D4/111

(Continued)

**OTHER PUBLICATIONS**

DE 40306802-0001 Registered Design Application (Oral-Prevent Handelsgesellschaft mbH) Feb. 25, 2004, [online], [retrieved on Nov. 20, 2011]. Retrieved from the Designs Register of the German Patent and Trade Mark Office using the Internet: <URL: http://register.dmpa.de>.\*

(Continued)

*Primary Examiner* — Cathron Brooks

*Assistant Examiner* — Lavone D Tabor

(74) *Attorney, Agent, or Firm* — Klintworth & Rozenblat IP LLC

(57) **CLAIM**

The ornamental design for a combined keyboard brush handle and base, as shown and described.

**DESCRIPTION**

FIG. 1 is an exploded front perspective view of a combined keyboard brush handle and base showing my new design.

FIG. 2 is an assembled front perspective view thereof.

FIG. 3 is a front elevational view of the design as shown in FIG. 2.

FIG. 4 is a rear elevational view of the design as shown in FIG. 2.

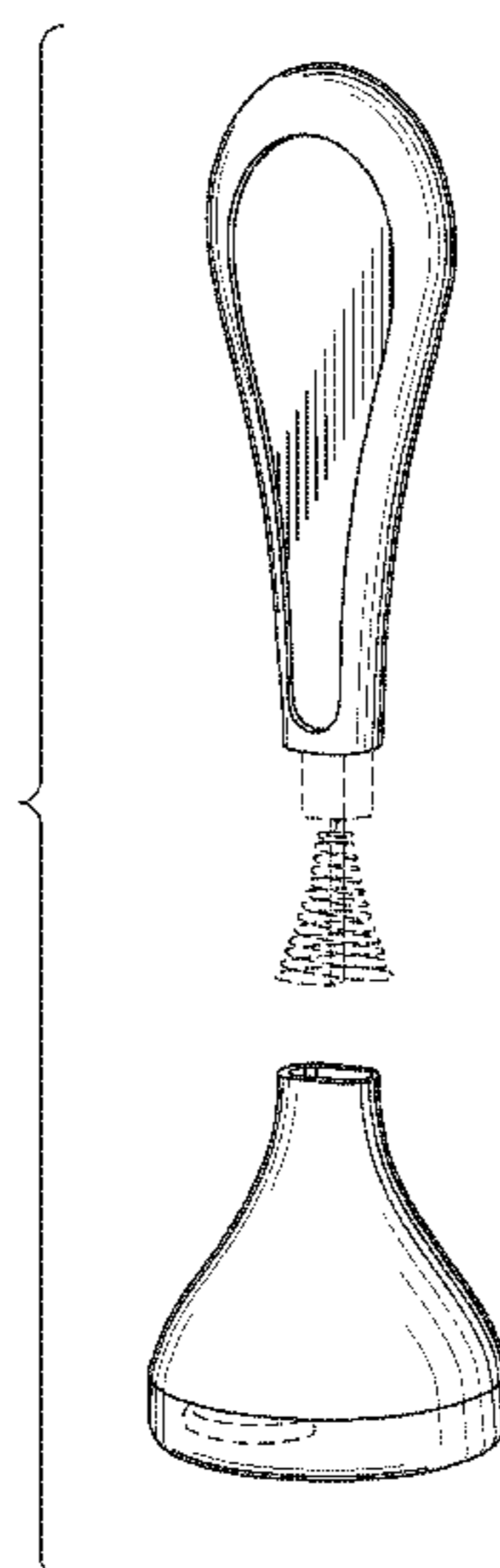
FIG. 5 is a right side elevational view of the design as shown in FIG. 2.

FIG. 6 is a left side elevational view of the design as shown in FIG. 2.

FIG. 7 is a top plan view of the design as shown in FIG. 2; and, FIG. 8 is a bottom plan view of the design as shown in FIG. 2.

The broken lines shown in the figures are included for the purpose of illustrating environmental structure of the combined keyboard brush handle and base and form no part of the claimed design.

**1 Claim, 4 Drawing Sheets**



U.S. PATENT DOCUMENTS

D544,480	S	6/2007	Murakami	
D564,231	S *	3/2008	Huang	D4/121
D568,050	S	5/2008	Huang	
D615,985	S	5/2010	Landry et al.	
7,766,572	B2	8/2010	Tranchant et al.	
D628,579	S	12/2010	Landry et al.	
7,845,041	B2	12/2010	Gatzemeyer et al.	
D631,053	S	1/2011	Bailey	
D639,243	S	6/2011	Gharib et al.	
2004/0129580	A1 *	7/2004	Cochran et al.	206/15.2
2006/0090289	A1	5/2006	Kuang	
2007/0277342	A1	12/2007	Chen	
2010/0220451	A1	9/2010	Zaitz et al.	
2010/0319145	A1	12/2010	Neyer et al.	

OTHER PUBLICATIONS

Dentek “DenTek Easy Brush 10-count (Pack of 6)” <http://www.amazon.com/DenTek-Easy-Brush-10-count-Pack/dp/B002WTCK3M> (Accessed May 13, 2011).

Butler “Butler Go Between Cleanrs Wide, Proxabrush, Size 8” [http://www.amazon.com/Butler-Between\\_Cleanrs-Wide-Proxabrush/dp/B0047NJD8Q/ref=sr\\_1\\_1?ie=UTF8&s=hpc&qid=1302627421&sr=1-1](http://www.amazon.com/Butler-Between_Cleanrs-Wide-Proxabrush/dp/B0047NJD8Q/ref=sr_1_1?ie=UTF8&s=hpc&qid=1302627421&sr=1-1) (Accessed May 13, 2011).

Sunstar “Gum? Proxabrush? Snap-Ons Refills Cylindrical—8 Count (622R)” <http://www.google.com/products/catalog?q=sunstar+interdental+brush&hl=en&um=1&ie=UTF-8&cid=16173157891432604808&sa=X&ei=noWkTdWhLtCP0QGn0KjxBA&ved=0CGAQ8wIwAA#> (Accessed May 13, 2011).

Sunstar.Butler “Butler Go Betweens Angled Interdental Brush” [http://www.kleenteeth.com/mycategory.php?do=list&bname=GUM.Sunstar.Butler&cname=InterDental\\_Brushes](http://www.kleenteeth.com/mycategory.php?do=list&bname=GUM.Sunstar.Butler&cname=InterDental_Brushes) (Accessed May 13, 2011).

Sunstar “Proxabrush Trav-Ler-GUM-Butler-interdental brush-Dental” [http://compare.ebay.com/like/270700820831?var=lv&ltvp=AllFixedPriceItemTypes&var=sbar&rvr\\_id=224641738506&crp=1\\_263602\\_309572&UA=WV18&GUID=ddc7ecb112d0a0645c766336fef96efb&itemid=270700820831&ff4=263602\\_309572](http://compare.ebay.com/like/270700820831?var=lv&ltvp=AllFixedPriceItemTypes&var=sbar&rvr_id=224641738506&crp=1_263602_309572&UA=WV18&GUID=ddc7ecb112d0a0645c766336fef96efb&itemid=270700820831&ff4=263602_309572) (Accessed May 13, 2011).

Butler “Snap-On Handles and Refills” <http://sale.dentist.net/products/butler-gum-proxabrush-snap-on-handles-and-refills> (Accessed May 13, 2011).

Sunstar “Gum Go-Betweens Proxabrush Cleaners, Tight, 8 count” [http://www.planetrx.com/p/Gum-Go-Betweens-Proxabrush-Cleaners-Tight-8-count/224421.html?utm\\_source=frg&utm\\_medium=feed&utm\\_campaign=product&zmap=1000941&zmas=26&zmac=106&zmap=224421](http://www.planetrx.com/p/Gum-Go-Betweens-Proxabrush-Cleaners-Tight-8-count/224421.html?utm_source=frg&utm_medium=feed&utm_campaign=product&zmap=1000941&zmas=26&zmac=106&zmap=224421) (Accessed May 13, 2011).

Butler “Proxabrush Trav-Ler, Tapered pocket-sized-Butler Dental” [http://compare.ebay.com/like/270700820832?var=lv&ltyp=AllFixedPriceItemTypes&var=sbar&rvr\\_id=224637081481&crp=1\\_263602\\_309572&UA=WV18&GUID=ddc7ecb112d0a0645c766336fef96efb&itemid=270700820832&ff4=263602\\_309572](http://compare.ebay.com/like/270700820832?var=lv&ltyp=AllFixedPriceItemTypes&var=sbar&rvr_id=224637081481&crp=1_263602_309572&UA=WV18&GUID=ddc7ecb112d0a0645c766336fef96efb&itemid=270700820832&ff4=263602_309572) (Accessed Apr. 12, 2011).

Computer Cleaner, Italy, picture taken Apr. 2011.

Eric Beare Design Catalog, p. 14, Computer Accessories, [online], [retrieved on Oct. 22, 2009]. Retrieved from the Internet <URL: <http://www.ericbaere.com/catalogue.aspx>>.

\* cited by examiner

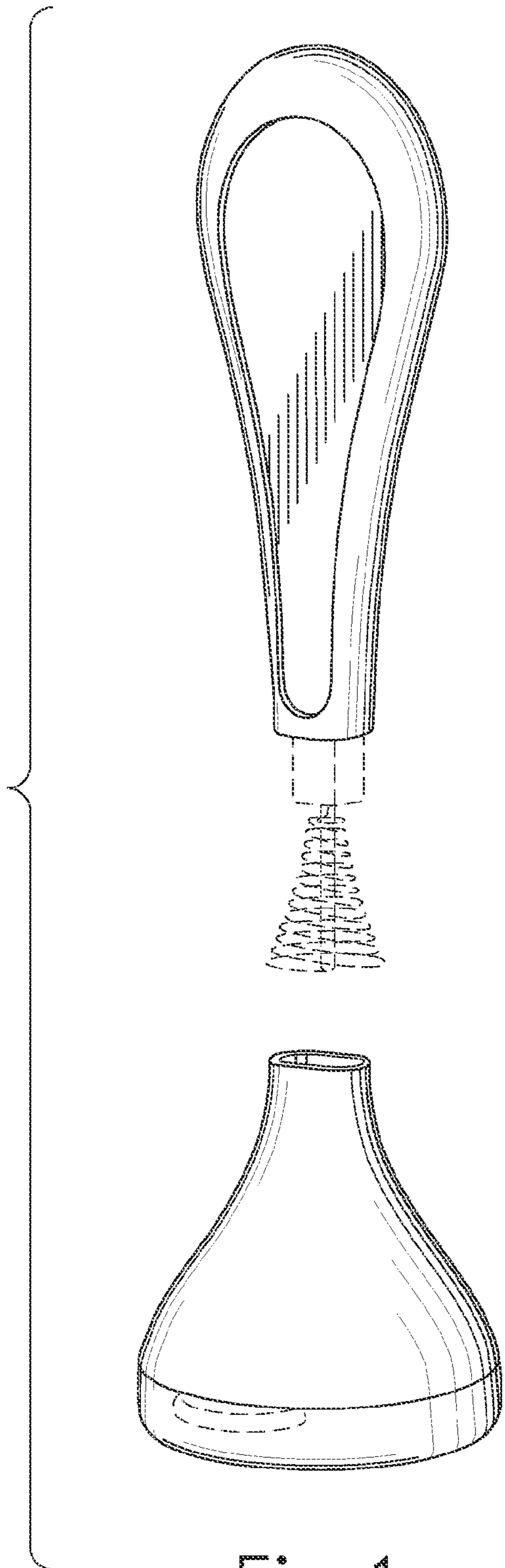


Fig. 1

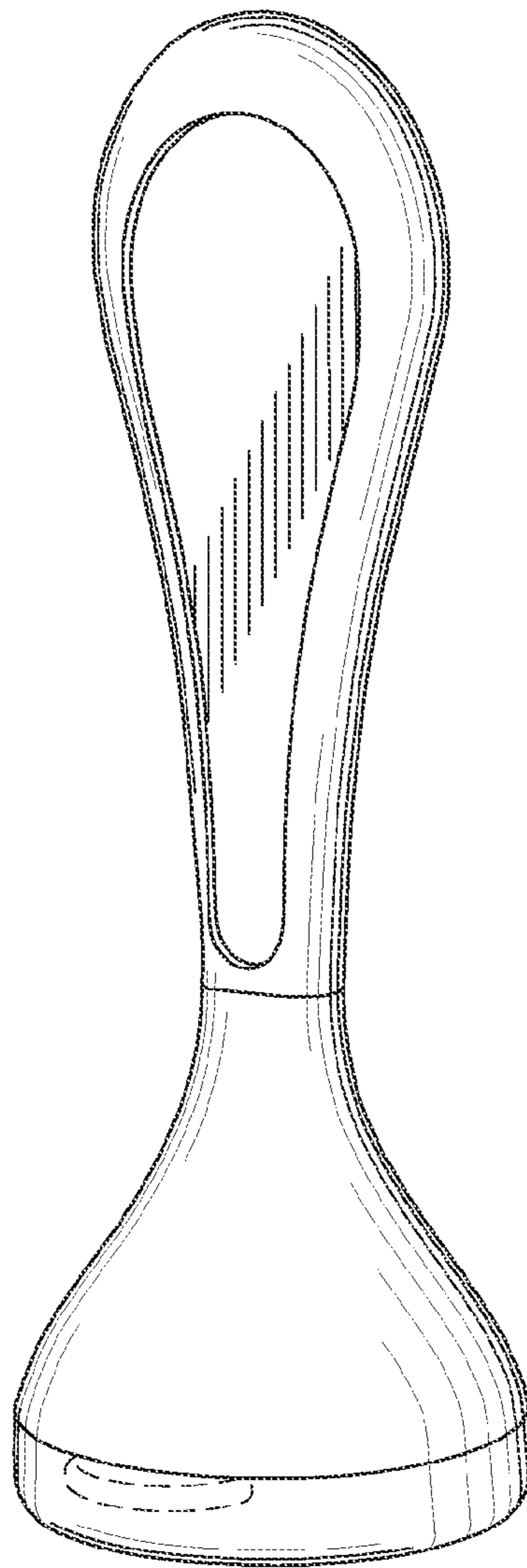


Fig. 2

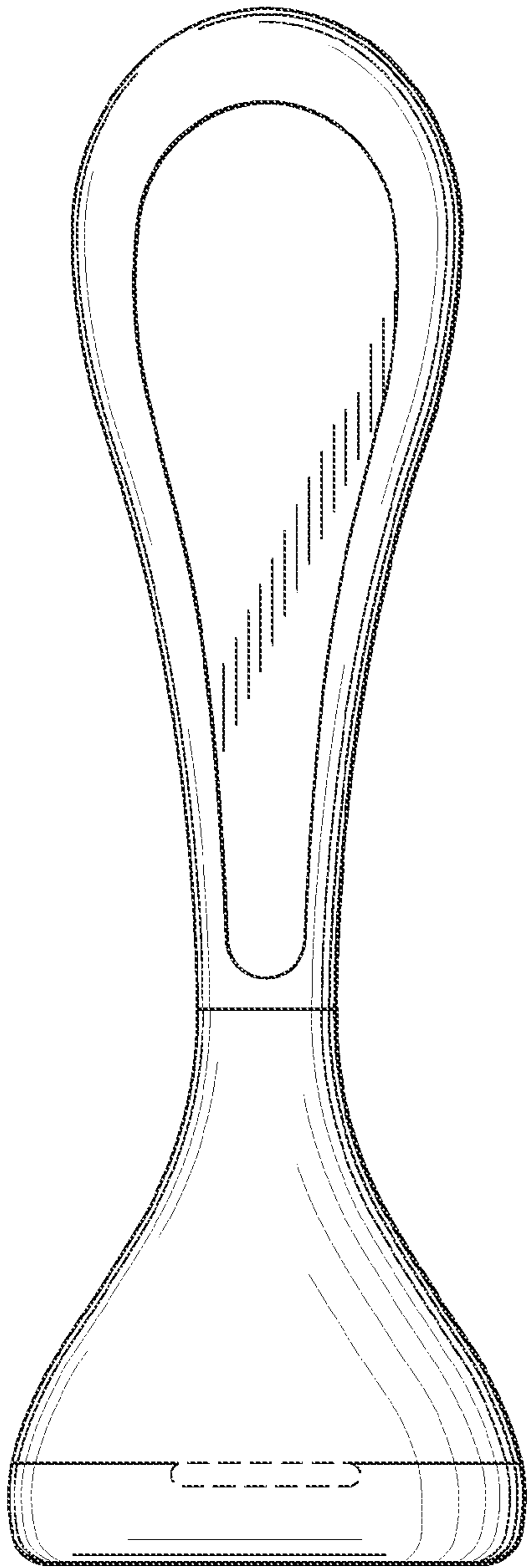


Fig. 3

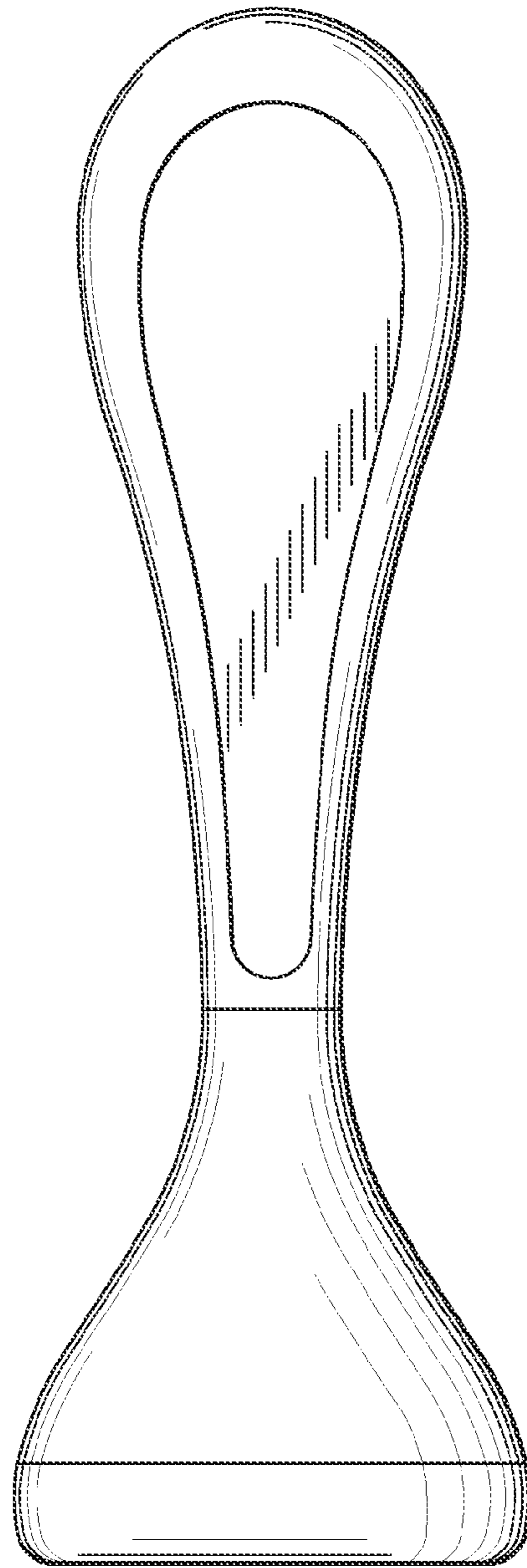


Fig. 4

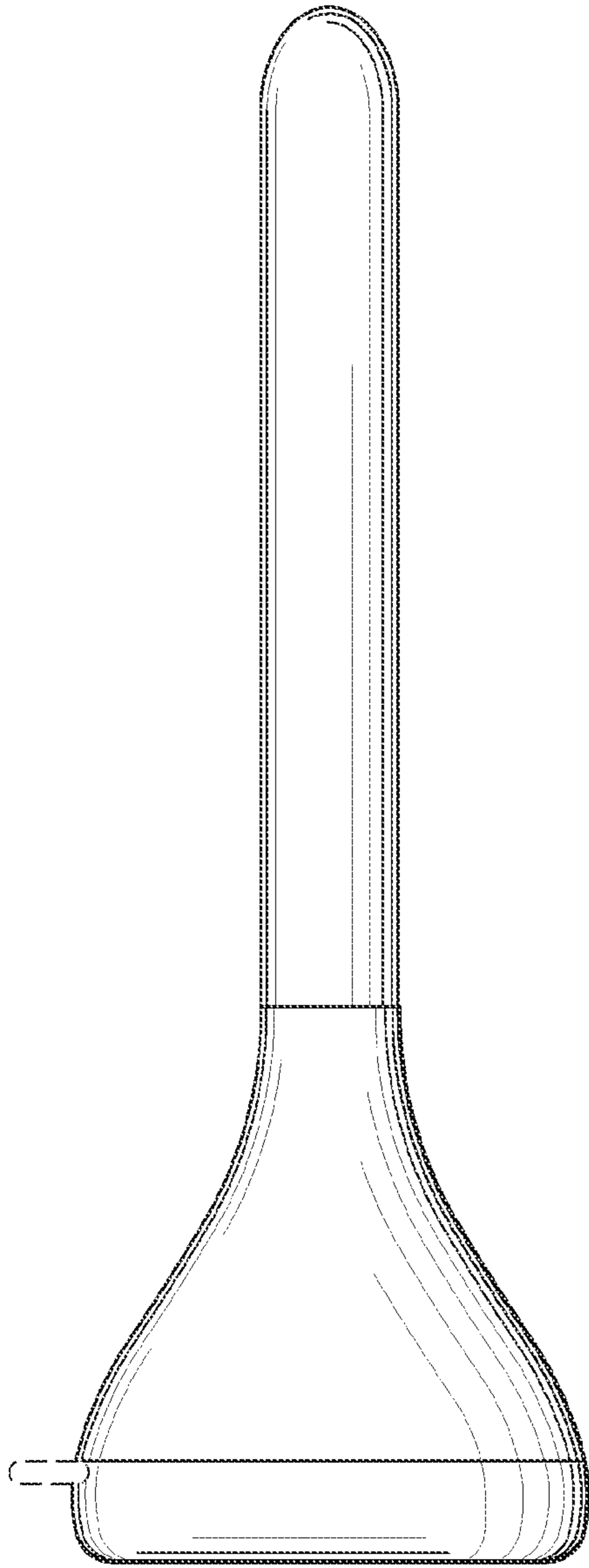


Fig. 5

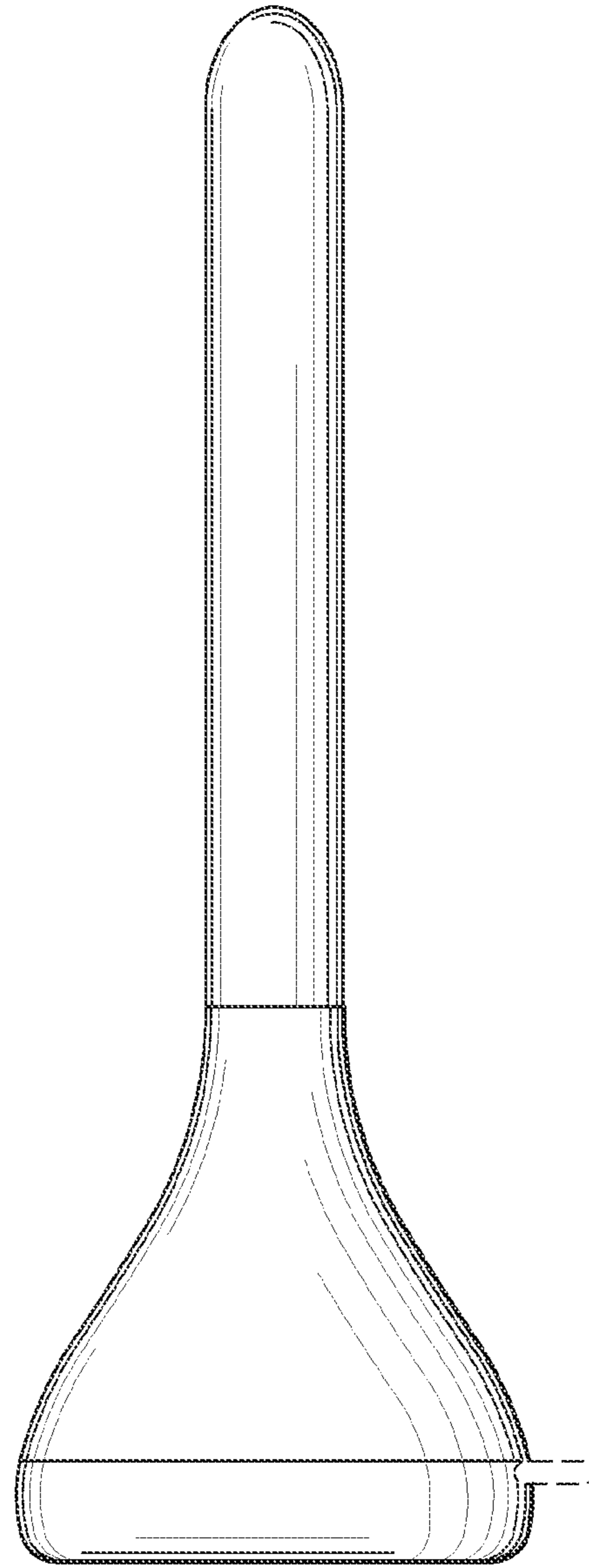


Fig. 6

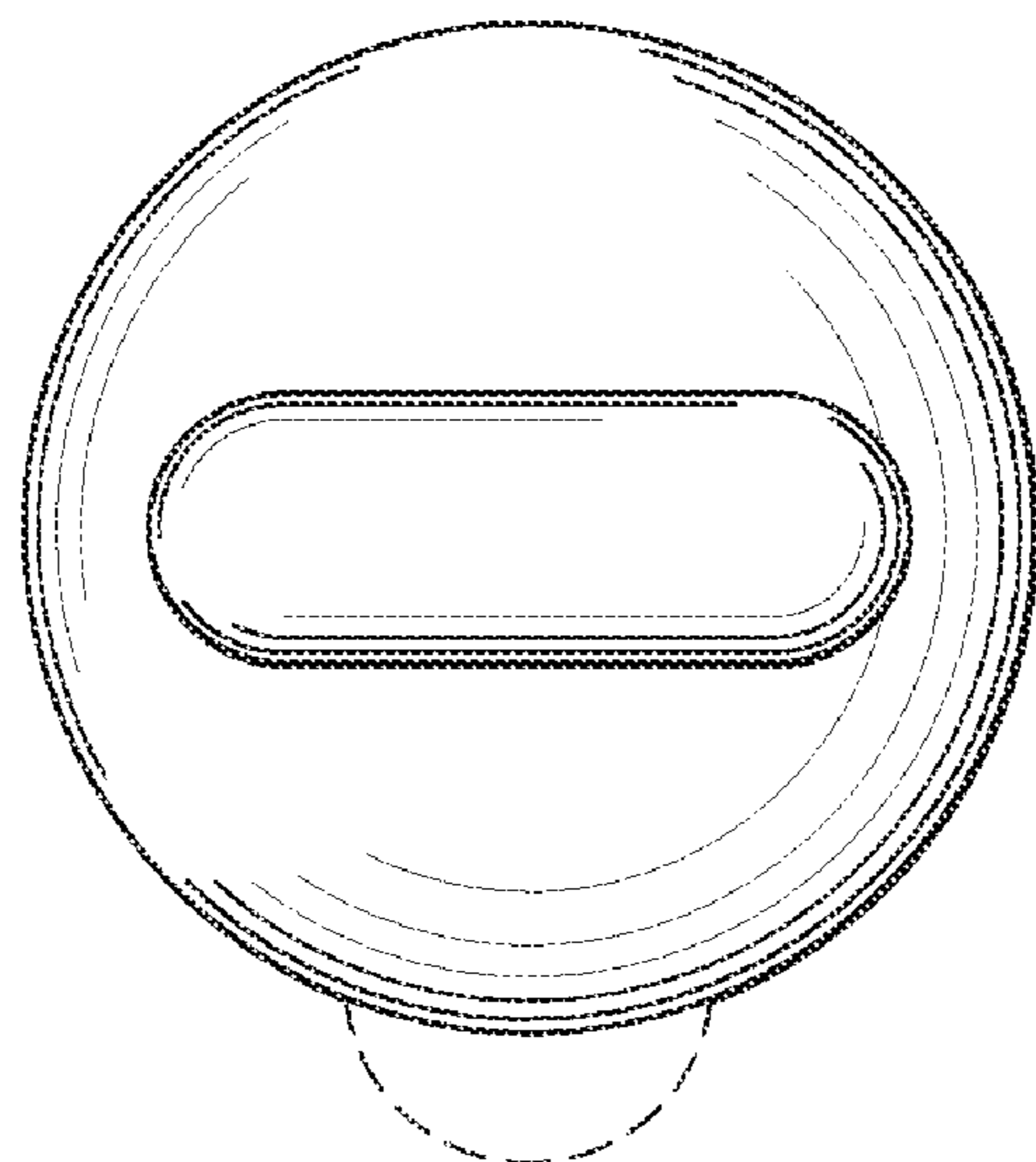


Fig. 7

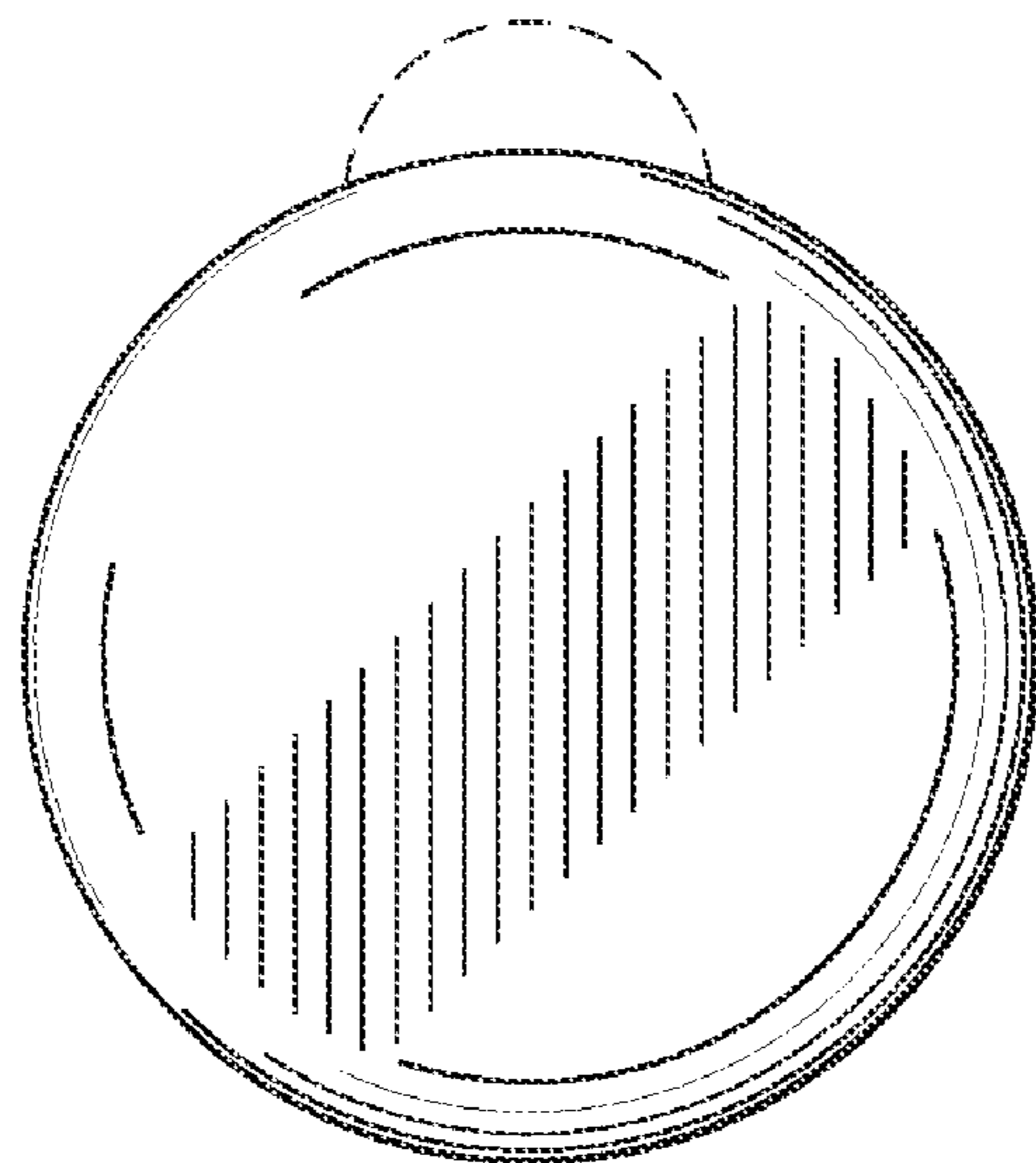


Fig. 8