



US00D663120S

(12) **United States Design Patent**
Dow et al.

(10) **Patent No.:** **US D663,120 S**
(45) **Date of Patent:** **** Jul. 10, 2012**

(54) **PILL CRUSHER POUCH**

(75) Inventors: **Rosie A. Dow**, Grayslake, IL (US);
Kenneth S. Chua, Glenview, IL (US);
John Henry Kutsch, Mundelein, IL (US)

(73) Assignee: **Medline Industries, Inc.**, Mundelein, IL (US)

(**) Term: **14 Years**

(21) Appl. No.: **29/393,776**

(22) Filed: **Jun. 9, 2011**

(51) **LOC (9) Cl.** **03-01**

(52) **U.S. Cl.** **D3/303**

(58) **Field of Classification Search** D3/303,
D3/201, 203.5, 205–206, 218–218, 222, 224,
D3/226–227; D9/711, 703, 702; 241/301,
241/DIG. 27; 224/240, 222, 219, 267, 673–674,
224/904, 908–909

See application file for complete search history.

(56) **References Cited**

U.S. PATENT DOCUMENTS

D268,146	S	*	3/1983	Rock	D9/703
D497,543	S		10/2004	Buckley		
D528,781	S	*	9/2006	Leyshon et al.	D3/203.2
D545,688	S	*	7/2007	Donovan	D9/703
D547,674	S	*	7/2007	Donovan	D9/707
7,252,254	B1		8/2007	Engel et al.		
D551,989	S	*	10/2007	Engel et al.	D9/703
7,347,394	B2		3/2008	Buckley		
7,364,102	B2		4/2008	Engel et al.		
7,407,124	B1		8/2008	Layshon et al.		
7,413,137	B2		8/2008	Donovan		
7,416,143	B1		8/2008	Layshon et al.		

D579,119	S	*	10/2008	Engel et al.	D24/220
D595,147	S	*	6/2009	Noble	D9/702
D596,043	S	*	7/2009	Noble	D9/702
7,637,449	B1	*	12/2009	Leyshon et al.	241/301
D609,010	S	*	2/2010	Hofer et al.	D3/303
D620,259	S	*	7/2010	Fahrendorff et al.	D3/303
D648,520	S	*	11/2011	Fahrendorff et al.	D3/201

* cited by examiner

Primary Examiner — Sheryl Lane

(74) *Attorney, Agent, or Firm* — David S. Noskowitz; Philip H. Burrus, IV

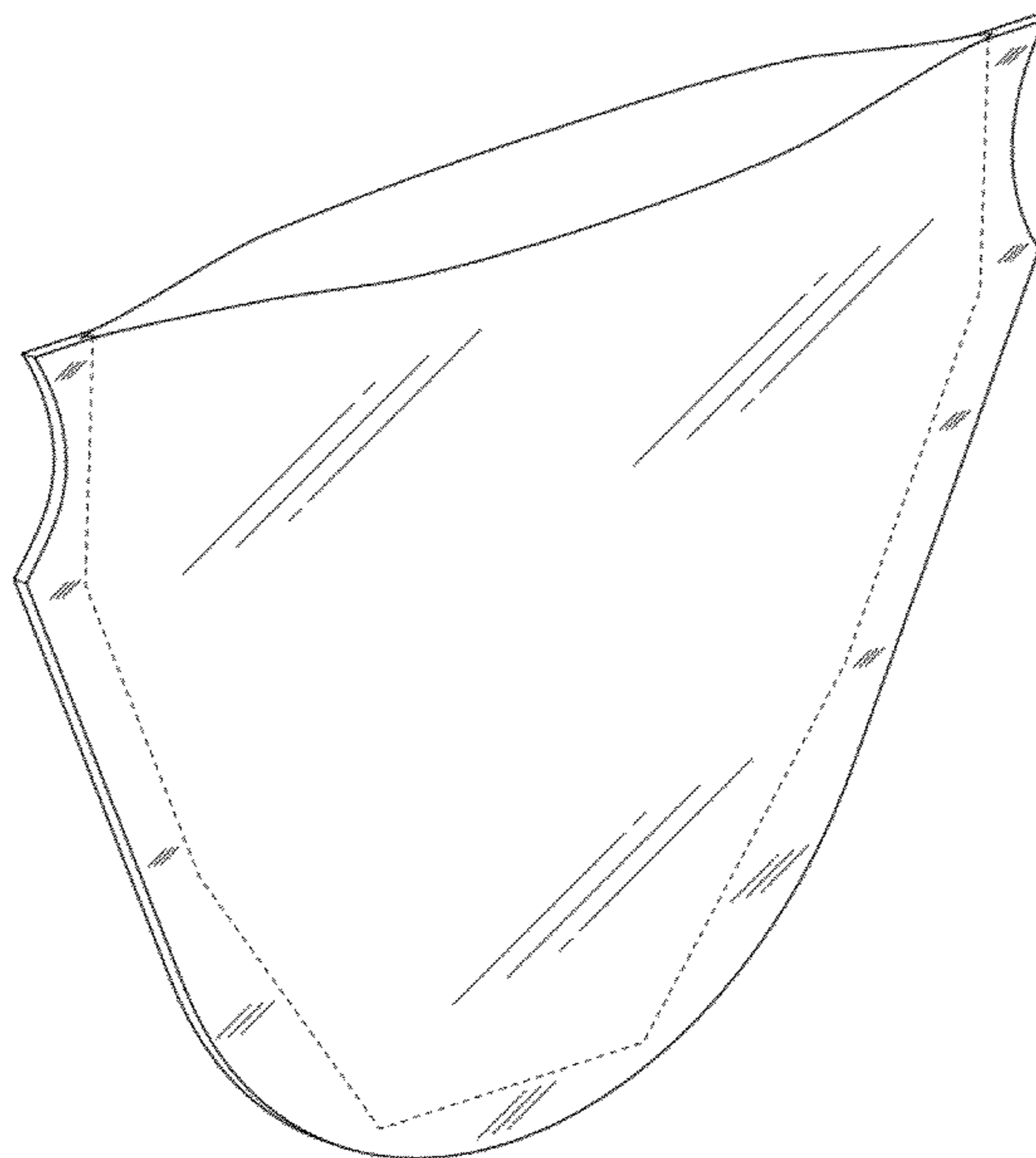
(57) **CLAIM**

The ornamental design for a pill crusher pouch, as shown and described.

DESCRIPTION

FIG. 1 is a perspective view of a pill crusher pouch in an open position showing our new design;
 FIG. 2 is a perspective view of the pill crusher pouch in a closed position view thereof;
 FIG. 3 is a front elevation view of the pill crusher pouch in the closed position;
 FIG. 4 is a rear elevation view of the pill crusher pouch in the closed position;
 FIG. 5 is a right elevation view of the pill crusher pouch in a partially open position;
 FIG. 6 is a left elevation view of the pill crusher pouch in the partially open position;
 FIG. 7 is a bottom plan view of the pill crusher pouch in the partially open position; and,
 FIG. 8 is a top plan view of the pill crusher pouch in the partially open position.
 The broken line showing of the seam of the pouch is included for the purpose of showing portions of the article and form no part of the claimed design.

1 Claim, 6 Drawing Sheets



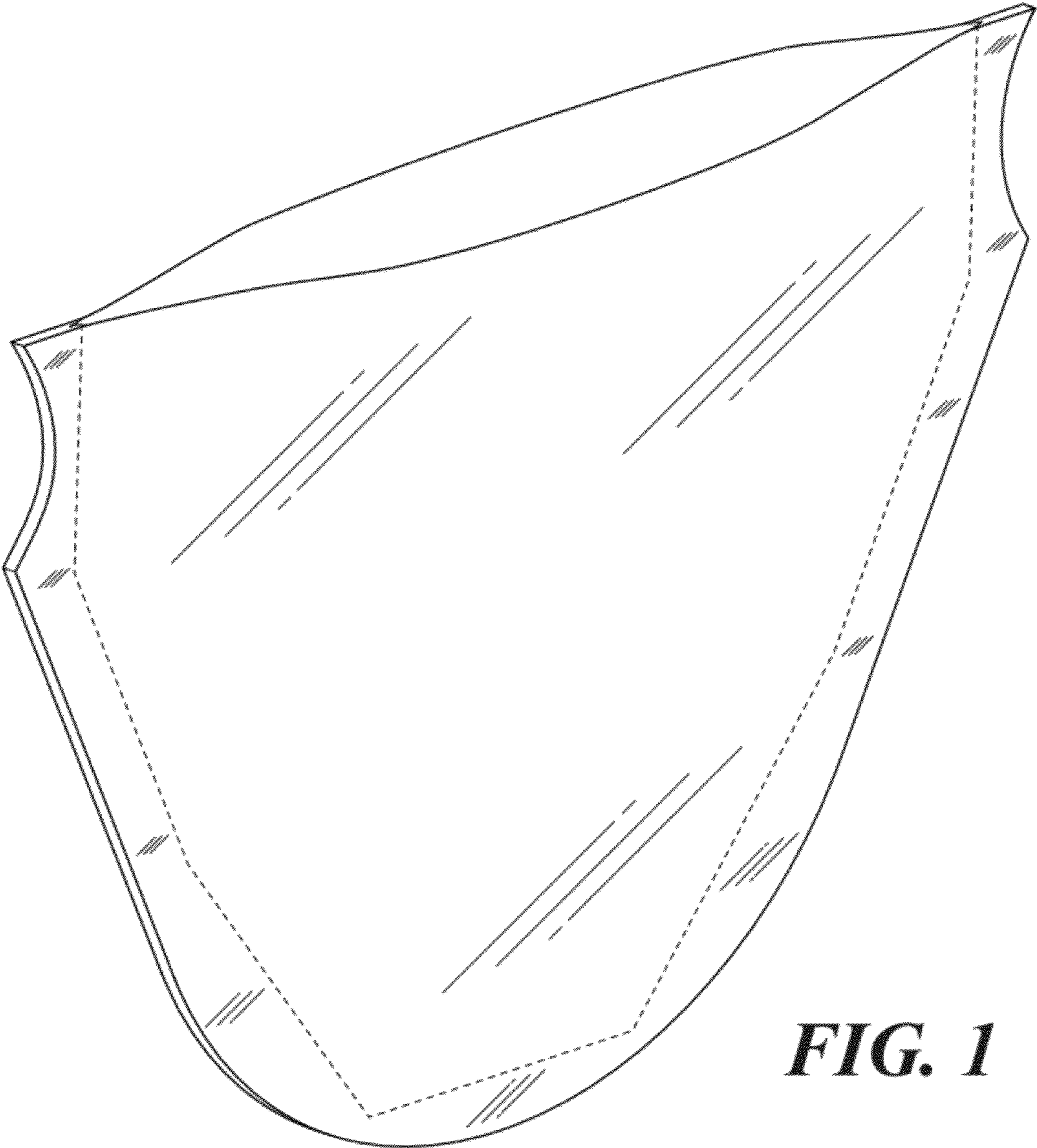


FIG. 1

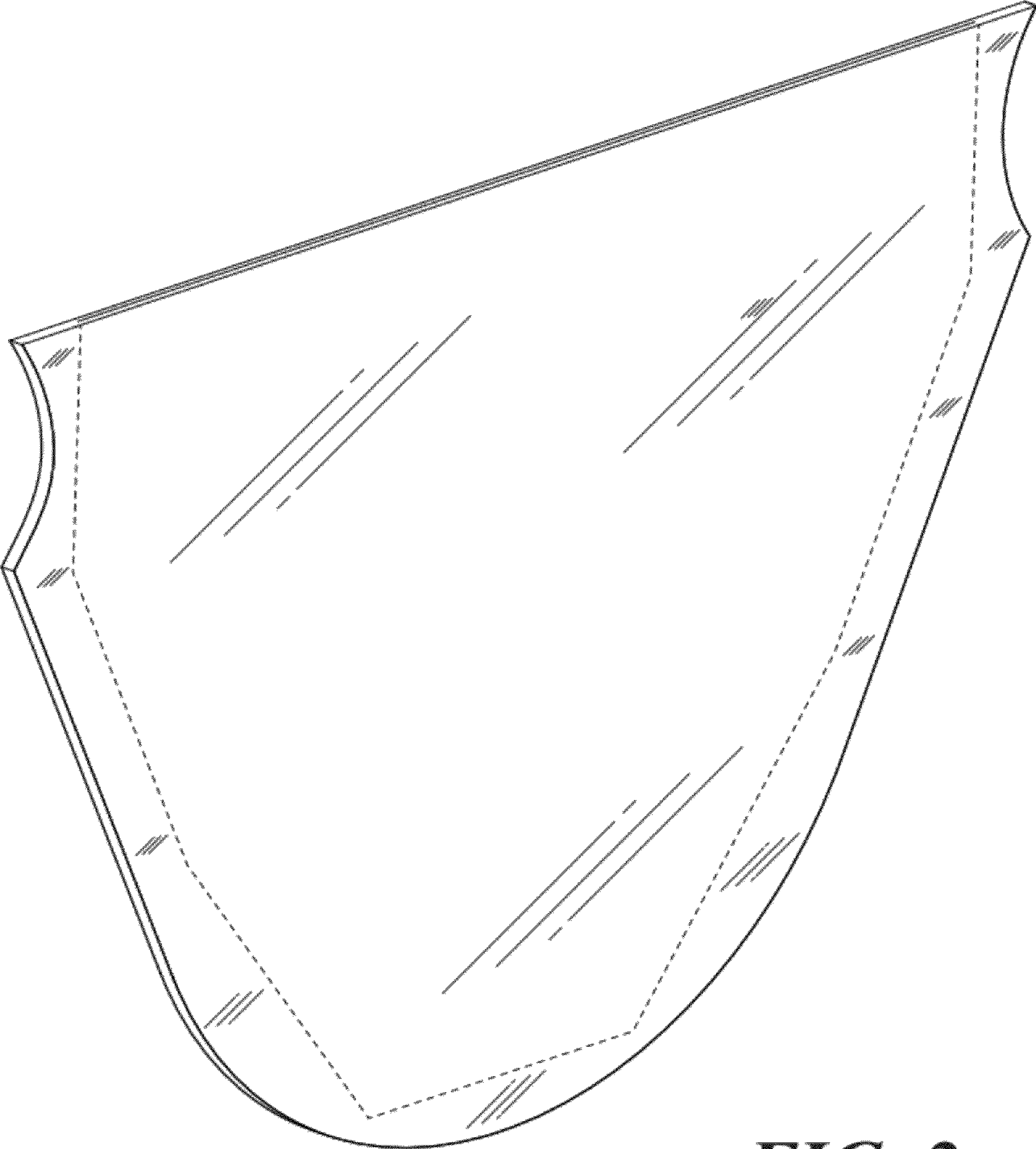


FIG. 2

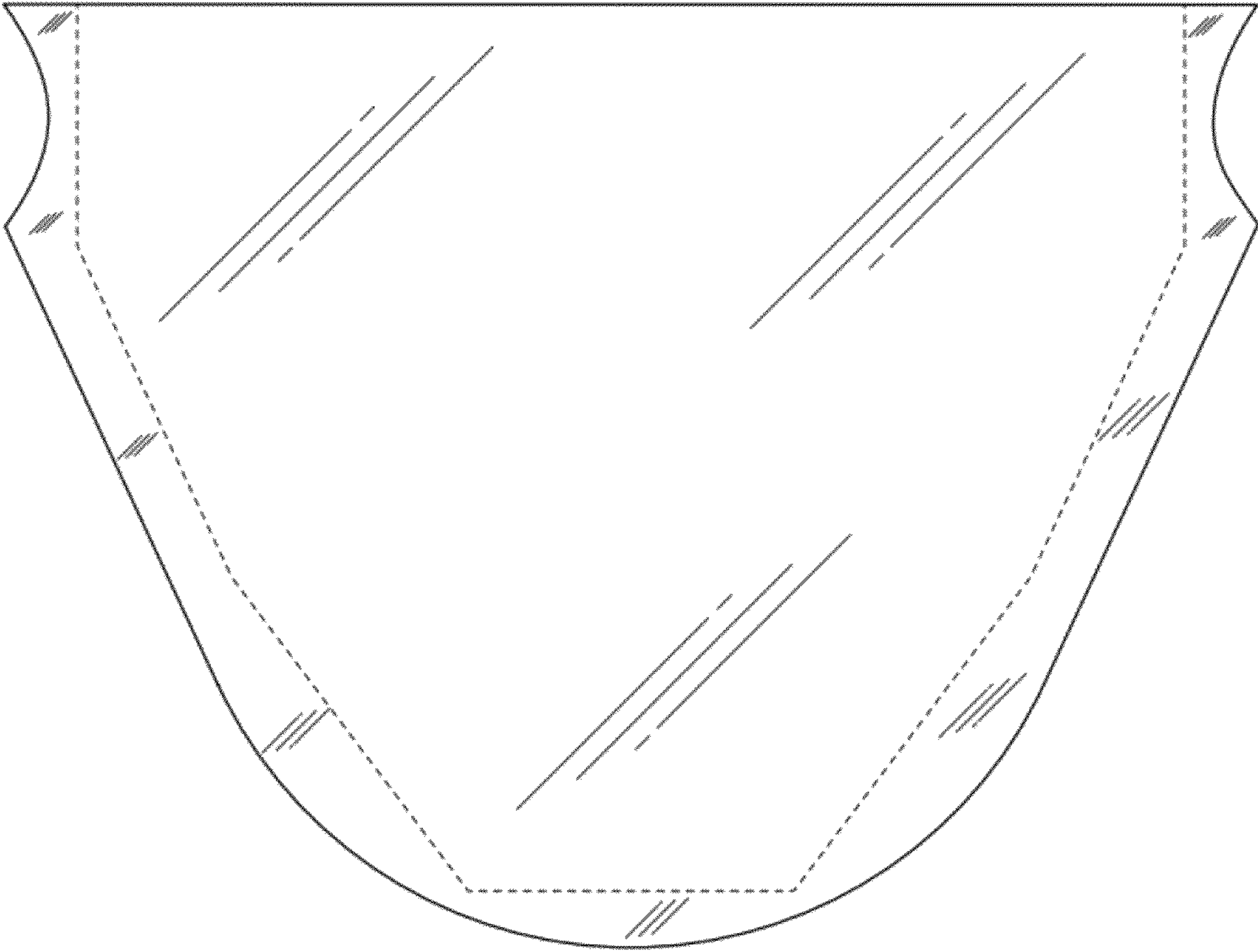


FIG. 3

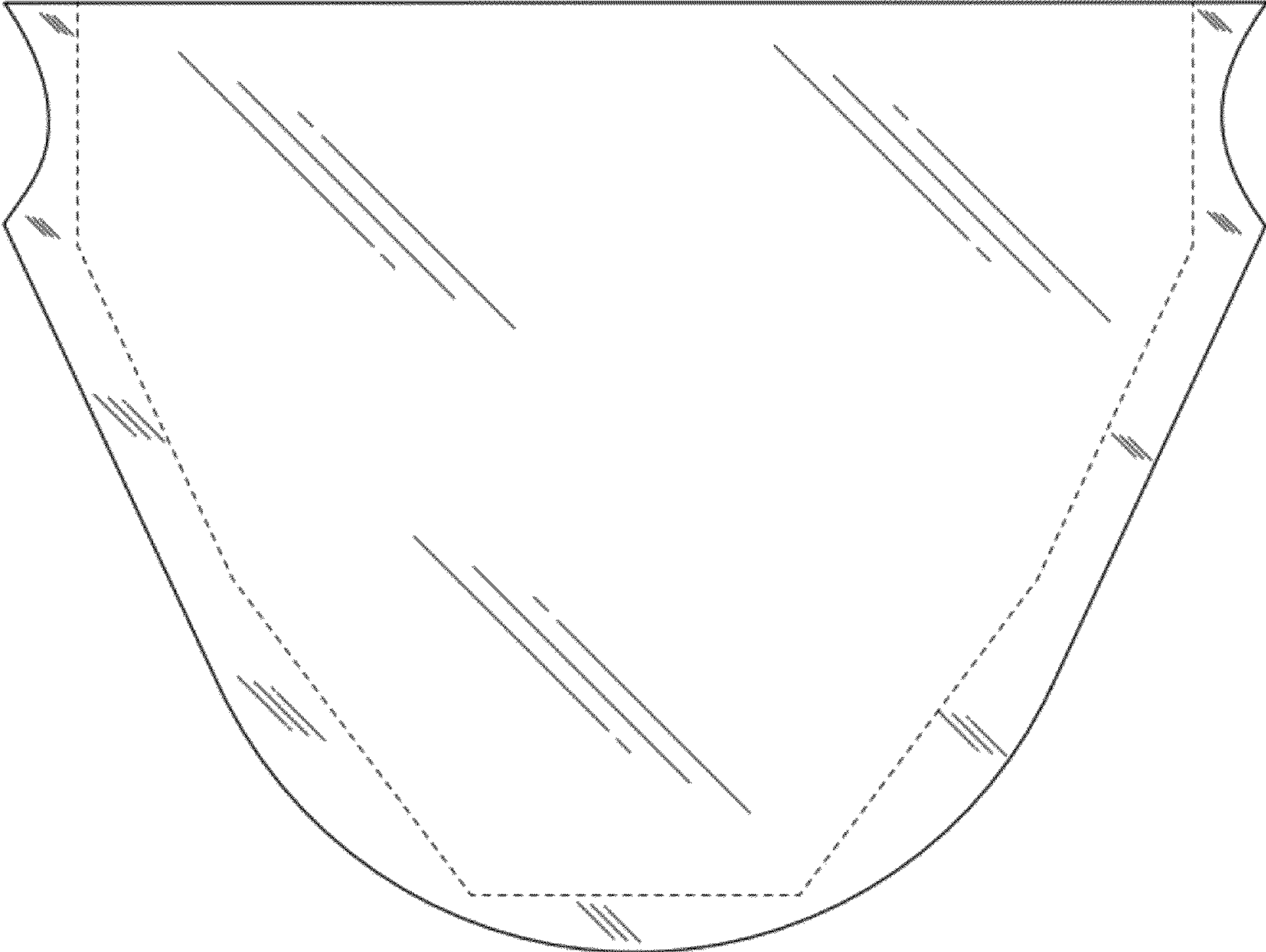


FIG. 4

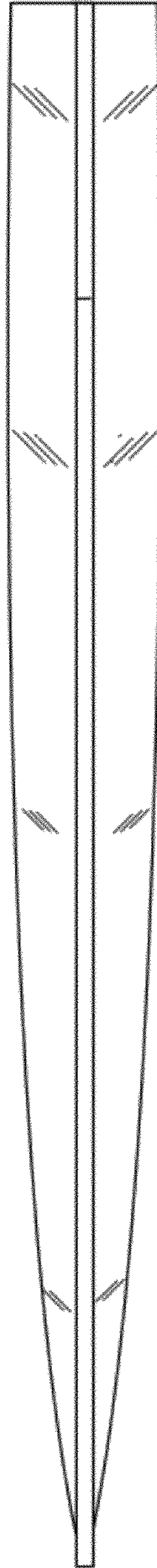


FIG. 5

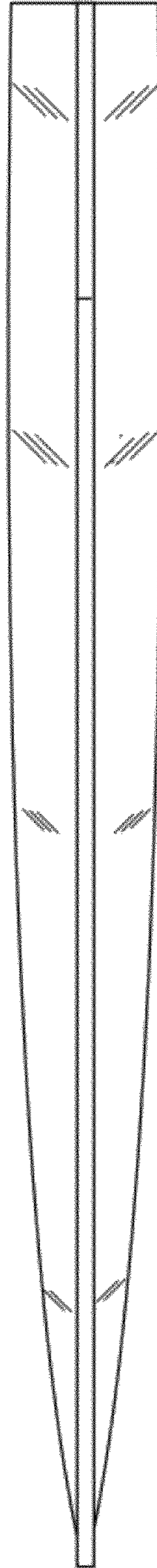


FIG. 6

FIG. 7

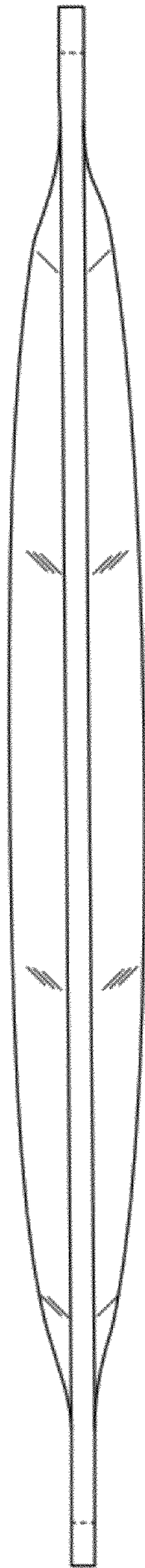


FIG. 8

