

US00D663118S

(12) **United States Design Patent**
Zalewski et al.

(10) **Patent No.:** **US D663,118 S**
(45) **Date of Patent:** **** Jul. 10, 2012**

(54) **STORAGE UNIT**

(75) Inventors: **Kevin Zalewski**, Rochester Hills, MI (US); **Dirk Ahlgrim**, Cambridge, MA (US); **Jared Judson**, Medford, MA (US); **Monica Kuznik**, Padua (IT); **Samuel Palmer**, Arlington, MA (US); **Gretchen Wustrack**, San Francisco, CA (US)

(73) Assignee: **Target Brands, Inc.**, Minneapolis, MN (US)

(**) Term: **14 Years**

(21) Appl. No.: **29/378,520**

(22) Filed: **Nov. 5, 2010**

Related U.S. Application Data

(62) Division of application No. 29/368,567, filed on Aug. 25, 2010, now Pat. No. Des. 632,892, which is a division of application No. 29/333,915, filed on Mar. 17, 2009, now Pat. No. Des. 622,959.

(51) **LOC (9) Cl.** **03-01**

(52) **U.S. Cl.** **D3/273**

(58) **Field of Classification Search** D3/203.1, D3/272, 273, 283, 304-315, 319, 320, 335, D3/336, 396; D6/397, 449, 475, 476, 510; D9/414, 418, 432, 433, 499; D19/90; 206/515, 206/527, 784, 825; 220/9.1, 9.3, 62, 475, 220/639, 641, 646, 647, 890, 913; 229/100, 229/117.01, 117.07, 120, 120.1; D30/133

See application file for complete search history.

(56) **References Cited**

U.S. PATENT DOCUMENTS

1,076,116 A 10/1913 Hatfield
(Continued)

FOREIGN PATENT DOCUMENTS

AU B69962/91 10/1991
(Continued)

OTHER PUBLICATIONS

“iCube, my cube, my space™”, materials publicly provided in an offer to sell the associated product at least as early as Apr. 23, 2008, 22 pages.

(Continued)

Primary Examiner — Susan Bennett Hattan

Assistant Examiner — Barbara B Lohr

(74) *Attorney, Agent, or Firm* — Griffiths & Seaton PLLC

(57) **CLAIM**

The ornamental design for a storage unit, as shown and described.

DESCRIPTION

The present application also is related to pending U.S. Utility patent application Ser. No. 11/851,165, filed Sep. 6, 2007; pending U.S. Utility application Ser. No. 12/554,028, filed Sep. 4, 2009; and pending U.S. Utility application Ser. No. 12/554,034, filed Sep. 4, 2009; all of which are incorporated by reference.

All of the material from the U.S. Applications that is essential to the claimed design is included herein. Any material in the related U.S. Applications that is not present herein forms no part of the claimed design.

FIG. 1 is a perspective view of a storage unit, according to the invention;

FIG. 2 is a front view thereof;

FIG. 3 is a back view thereof;

FIG. 4 is a top view thereof;

FIG. 5 is a bottom view thereof;

FIG. 6 is a right view thereof;

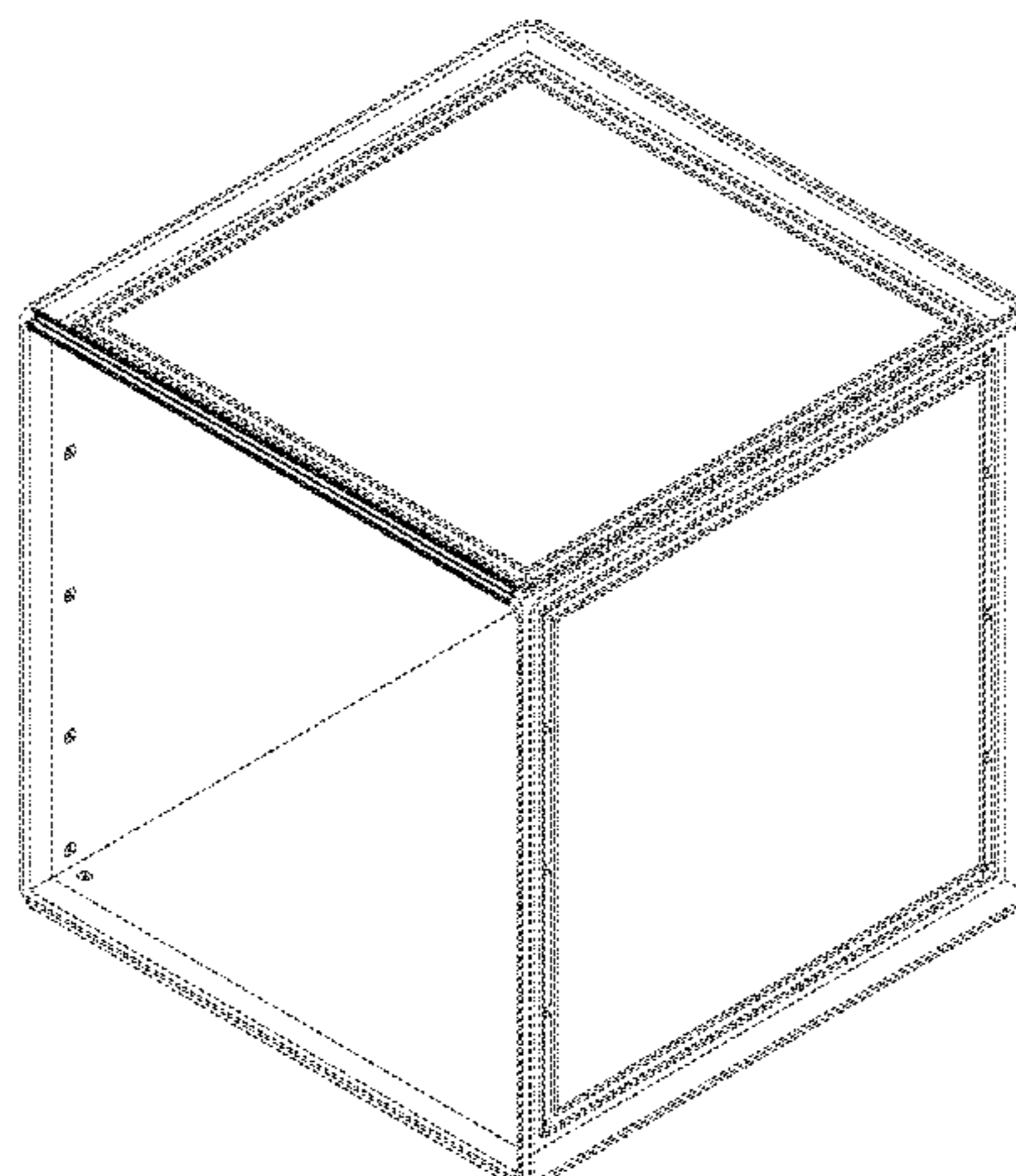
FIG. 7 is a supplemental, enlarged, right side view thereof with all broken lines (other than boundary lines) removed for clarity;

FIG. 8 is a left side view thereof; and,

FIG. 9 is a supplemental, enlarged, left side view with all broken lines (other than boundary lines) removed for clarity.

In the figures, any broken lines consisting of alternating length (i.e., short, long, etc.) line segments indicate boundaries of the claimed design. All other broken lines shown in the figures indicate unclaimed environmental subject matter.

1 Claim, 9 Drawing Sheets



US D663,118 S

U.S. PATENT DOCUMENTS							
1,694,487	A	12/1928	Ringer	5,588,726	A	12/1996	Lee
1,799,831	A	4/1931	Pauls	5,615,797	A	4/1997	Ripamonti
2,121,190	A	6/1938	Fellowes	5,647,649	A	7/1997	Kao
2,257,536	A	9/1941	Roycroft	5,664,856	A	9/1997	Pacetti
2,299,766	A	10/1942	Rosenthal	5,680,744	A	10/1997	Kramedjian et al.
2,364,083	A	12/1944	Lindsay	D387,559	S	12/1997	Williamson
D158,479	S	5/1950	Long	5,716,116	A	2/1998	Carlson et al.
2,663,449	A	12/1953	Smart	5,720,547	A	2/1998	Baird
2,697,631	A	12/1954	Miller	5,775,046	A	7/1998	Fanger et al.
3,027,045	A	3/1962	Wilson	D396,566	S	8/1998	Albrecht
D197,311	S	1/1964	Spaak	D404,571	S	1/1999	Evans
3,117,692	A	1/1964	Carpenter et al.	5,888,114	A	3/1999	Slocum et al.
3,170,594	A	2/1965	Nascher	5,902,025	A	5/1999	Yu
3,254,440	A	6/1966	Duggar	5,913,580	A	6/1999	Liu
3,254,786	A	6/1966	Melville	5,921,646	A	7/1999	Hwang
3,279,873	A	10/1966	Gronquist	5,941,616	A	8/1999	Billingham
3,468,591	A	9/1969	Wodli	6,024,626	A	2/2000	Mendelsohn
3,506,321	A	4/1970	Hampel	D421,678	S	3/2000	Levy
3,552,579	A	1/1971	Simon et al.	6,039,202	A	3/2000	Olstad et al.
3,563,624	A	2/1971	Stice	D427,769	S	7/2000	Zimmerman
3,583,780	A	6/1971	Berkowitz	6,113,203	A	9/2000	Chen
3,655,065	A	4/1972	Yellin	D431,907	S	10/2000	Andujar et al.
3,661,434	A	5/1972	Alster	D437,706	S	2/2001	Alcala et al.
D225,815	S	1/1973	Torrey	6,193,340	B1	2/2001	Schenker et al.
3,722,704	A	3/1973	Piretti	6,209,976	B1	4/2001	Shear
3,722,971	A	3/1973	Zeischegg	D454,454	S	3/2002	Hamilton et al.
3,743,372	A	7/1973	Ruggerone	6,352,323	B1	3/2002	Rives
3,822,924	A	7/1974	Lust	D455,292	S	4/2002	Hardy et al.
D232,812	S	9/1974	Ogle	6,488,346	B2	12/2002	Chen
3,836,217	A	9/1974	Shiina	6,508,021	B2	1/2003	Ong
3,836,218	A	9/1974	Hallal	6,536,856	B2	3/2003	Pelizzari et al.
3,853,367	A	12/1974	Jamison et al.	6,557,955	B2	5/2003	Saravis
3,856,147	A	12/1974	Piretti	6,698,853	B2	3/2004	Chen et al.
3,874,753	A	4/1975	Naito et al.	D495,248	S	8/2004	Krebs et al.
3,885,845	A	5/1975	Krieks	6,820,950	B1	11/2004	Sun
D238,051	S	12/1975	Fler, Jr.	6,834,920	B2	12/2004	Landsberger et al.
3,975,877	A	8/1976	Walton	6,848,758	B1	2/2005	Yeh et al.
4,047,773	A	9/1977	Semany	6,938,966	B1	9/2005	Rouwhorst
4,050,604	A	9/1977	Flanders	6,942,306	B2	9/2005	Youngs et al.
D246,872	S	1/1978	White	RE38,836	E	10/2005	Krause et al.
D251,480	S	4/1979	Cherry	6,962,262	B2	11/2005	Toma
4,192,562	A	3/1980	Bishoff et al.	6,966,450	B2	11/2005	Askew
4,196,948	A	4/1980	Gavel et al.	6,971,529	B1	12/2005	Shapiro
D256,196	S	8/1980	Kates	6,991,115	B2	1/2006	Chow et al.
4,261,627	A	4/1981	Felsenthal	7,048,346	B2	5/2006	Saravis
D268,622	S	4/1983	Wolters et al.	D540,039	S	4/2007	van Beuningen
4,403,554	A	9/1983	Valentine et al.	7,231,740	B2	6/2007	Jirele
4,448,463	A	5/1984	Amos	7,261,219	B2	8/2007	Tucker et al.
4,470,647	A	9/1984	Bishoff et al.	7,472,969	B2	1/2009	Saravis
4,593,816	A	6/1986	Langenbeck	7,507,136	B2	3/2009	Patton
4,673,087	A	6/1987	Webb	D594,657	S	6/2009	McAlpine
4,704,313	A	11/1987	Maier	7,588,162	B2	9/2009	Dube et al.
4,707,038	A	11/1987	Voegeli	7,621,421	B2	11/2009	Ohayon
4,717,214	A	1/1988	Moore et al.	D622,959	S *	9/2010	Zalewski et al. D3/273
4,742,931	A	5/1988	Bennett	7,866,769	B2	1/2011	Ahlgrim
4,782,637	A	11/1988	Eriksson et al.	D632,892	S *	2/2011	Zalewski et al. D3/273
4,782,972	A	11/1988	Wenkman et al.	D633,712	S *	3/2011	Everette D3/203.1
4,863,222	A	9/1989	Posso	7,984,820	B2	7/2011	Dancyger
D323,296	S	1/1992	Schoenthaler	D657,920	S *	4/2012	Rivera, Sr. D30/133
D326,345	S	5/1992	Mandell et al.	2002/0093272	A1	7/2002	Saravis
5,119,610	A	6/1992	Birkeland et al.	2002/0109442	A1	8/2002	Hsu
5,147,120	A	9/1992	Ray	2002/0185941	A1	12/2002	Ferraro et al.
D330,161	S	10/1992	Schuh	2003/0184199	A1	10/2003	Jananji
5,176,435	A	1/1993	Pipkens	2003/0193274	A1	10/2003	Saravis
D349,646	S	8/1994	Dickinson	2003/0222545	A1	12/2003	Stravitz
5,356,031	A	10/1994	Jondelius	2004/0164653	A1	8/2004	Winkless
5,357,728	A	10/1994	Duncanson	2004/0217677	A1	11/2004	Durand et al.
D360,898	S	8/1995	Hureto et al.	2005/0006991	A1	1/2005	Saravis
D361,203	S	8/1995	Regnier	2005/0077805	A1	4/2005	Dalebout et al.
5,464,295	A	11/1995	Dailiot	2005/0088068	A1	4/2005	Chang
5,466,058	A	11/1995	Chan	2005/0104483	A1	5/2005	Saravis
5,477,594	A	12/1995	LePage	2005/0168116	A1	8/2005	Chuang
5,486,041	A	1/1996	Sykes	2005/0264147	A1	12/2005	Norris et al.
5,492,399	A	2/1996	Tillack	2006/0080928	A1	4/2006	Kichijo et al.
5,497,888	A	3/1996	Michaels et al.	2006/0244348	A1	11/2006	Richied et al.
5,562,224	A	10/1996	Pascal et al.	2006/0250052	A1	11/2006	Davis et al.
D376,259	S	12/1996	Dickinson et al.	2007/0052330	A1	3/2007	Chang
5,584,412	A	12/1996	Wang	2007/0158347	A1	7/2007	Ohayon
				2008/0011697	A1	1/2008	Berg

2008/0017596 A1 1/2008 Brock
 2008/0040982 A1 2/2008 Durand et al.
 2008/0074013 A1 3/2008 Ahlgrim et al.
 2008/0128428 A1 6/2008 Beckerman
 2008/0258593 A1 10/2008 Berger
 2010/0237754 A1 9/2010 Zalewski et al.
 2010/0237755 A1 9/2010 Zalewski et al.
 2011/0074255 A1 3/2011 Ahlgrim et al.

FOREIGN PATENT DOCUMENTS

DE 3020836 A 12/1981
 DE 3302105 7/1983
 DE 3933611 4/1991
 DE 4313330 9/1994
 DE 19735185 2/1999
 DE 19949849 2/2001
 DE 20309712 U 8/2003
 EP 0270495 6/1988
 EP 0614017 9/1994
 EP 0801912 10/1997
 FR 2316679 1/1977
 FR 2376677 8/1978
 FR 2862356 5/2005
 GB 2101202 A 1/1983
 GB 2206280 1/1989
 GB 2231820 A 11/1990
 GB 2355672 5/2001
 GB 2370239 A 6/2002
 WO 8700406 1/1987
 WO 9920153 4/1999
 WO 0127395 4/2001

OTHER PUBLICATIONS

Egan Visual, Inc., "Modular Storage . . . configured to your requirements," 2004, 2 pages.

Egan Visual, Inc., "Finish Schedule," Price and Specification Guide, Jul. 2002, 11 pages.
 Egan Visual, Inc., "Finish Schedule," Price and Specification Guide, Jul. 2002, 3 pages.
 Egan Visual, Inc., "Mobile Task Carts & Lockers—Product Design Rationale," 2004, 2 pages.
 Moduline Modular Aluminum Cabinets, "Moduline Pro-Series Combinations—Trailer Cabinets Organize With Style!—Modular Aluminum Storage Cabinets," printed from www.modulinecabinets.com in May 2006, 3 pages.
 "elfa® Platinum Garage System," printed from www.organize.com in May 2006, 2 pages.
 "The Cube Storage System," printed from www.organize.com in May 2006, 2 pages.
 "Storage Cubes: A Unique 5 Piece Modular Storage System—Cherry," printed from www.organize.com in May 2006, 2 pages.
 "elfa® Basic 9' Double Hang Closet," printed from www.organize.com in May 2006, 2 pages.
 "Closits Modular Furniture System—Maple," printed from www.target.com in May 2006, 3 pages.
 "QBO Storage Solution," www.topdeq.com/topdeq/product.do?catid=us_75&prodid=pp_QBO, printed in May 2006, 2 pages.
 "Cubo Modular Storage," www.topdeq.com/topdeq/product.do?catid=us_75&prodid=pp_CUBIC, printed in May 2006, 3 pages.
 Storage Member publicly available in Ikea stores at least as early as Jan. 2000.
 Shopwiki, "Organizer Bins-Lockers-Locker Organizers-Magnetic Storage Bins," http://www.shopwiki.com/_Organizer+Bins+-+Lockers+-+Locker+Organizers+-+Magnetic+Storage+Bins, printed on Aug. 2, 2009, 2 pages.

* cited by examiner

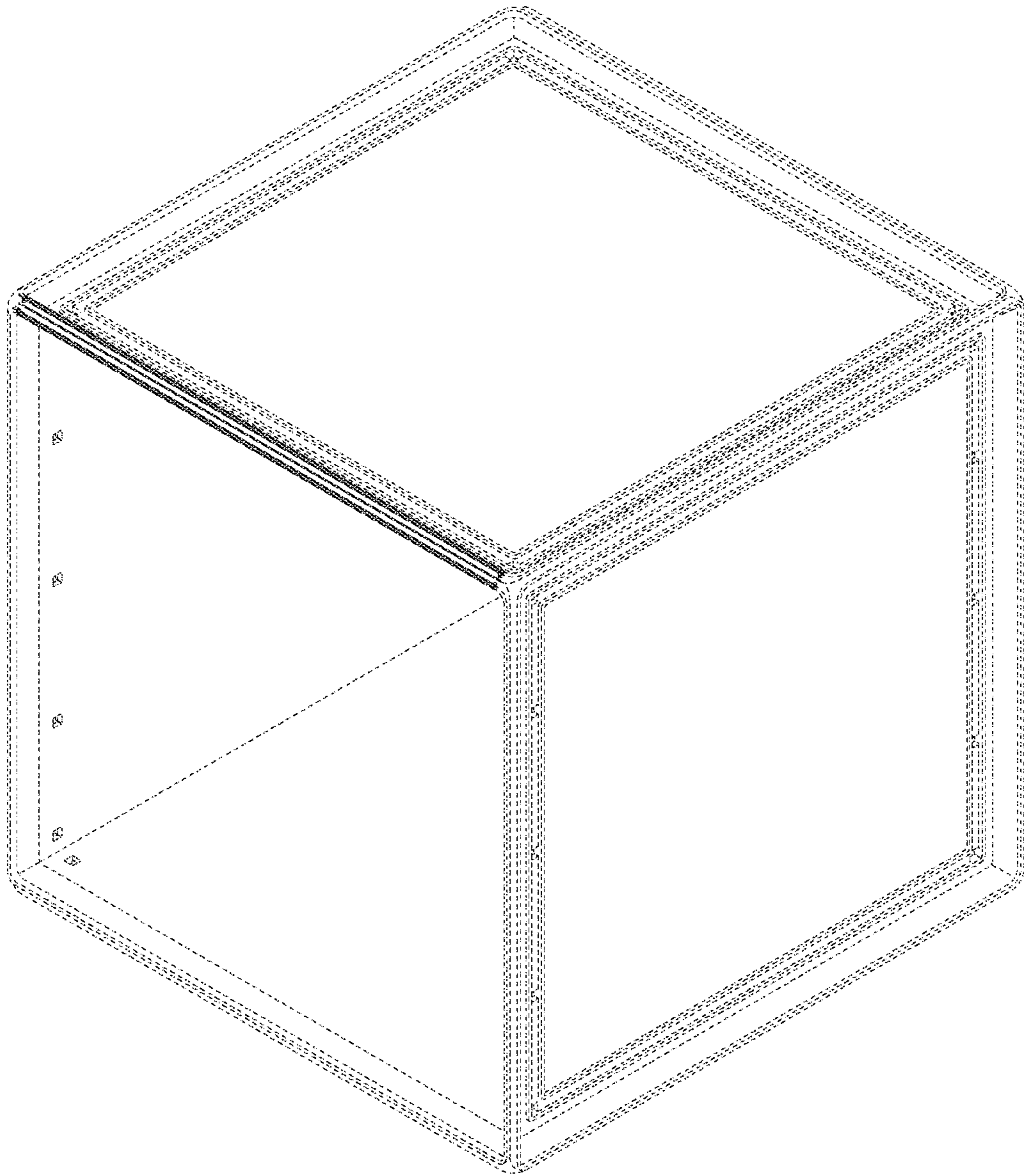


Fig. 1

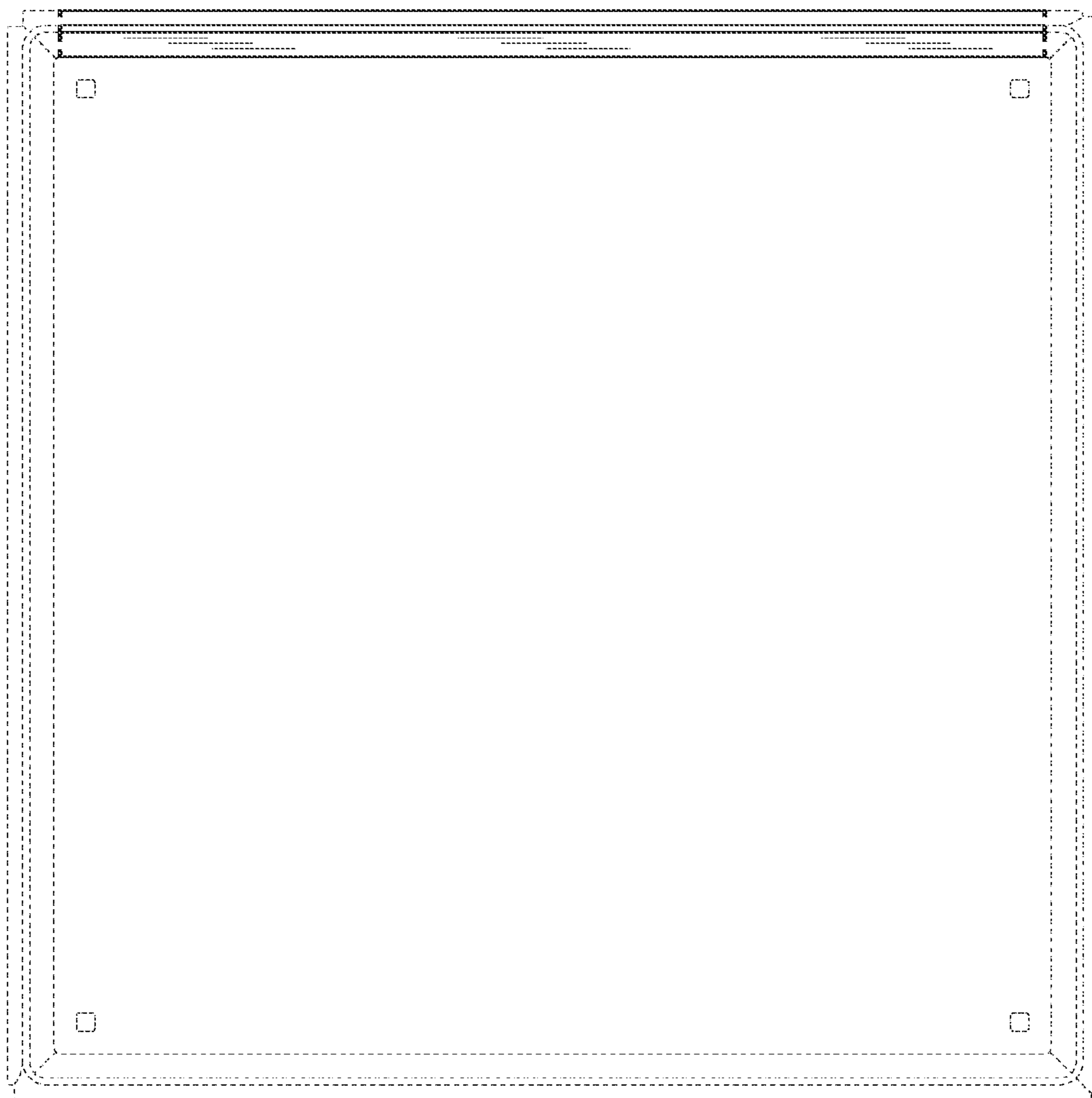


Fig. 2

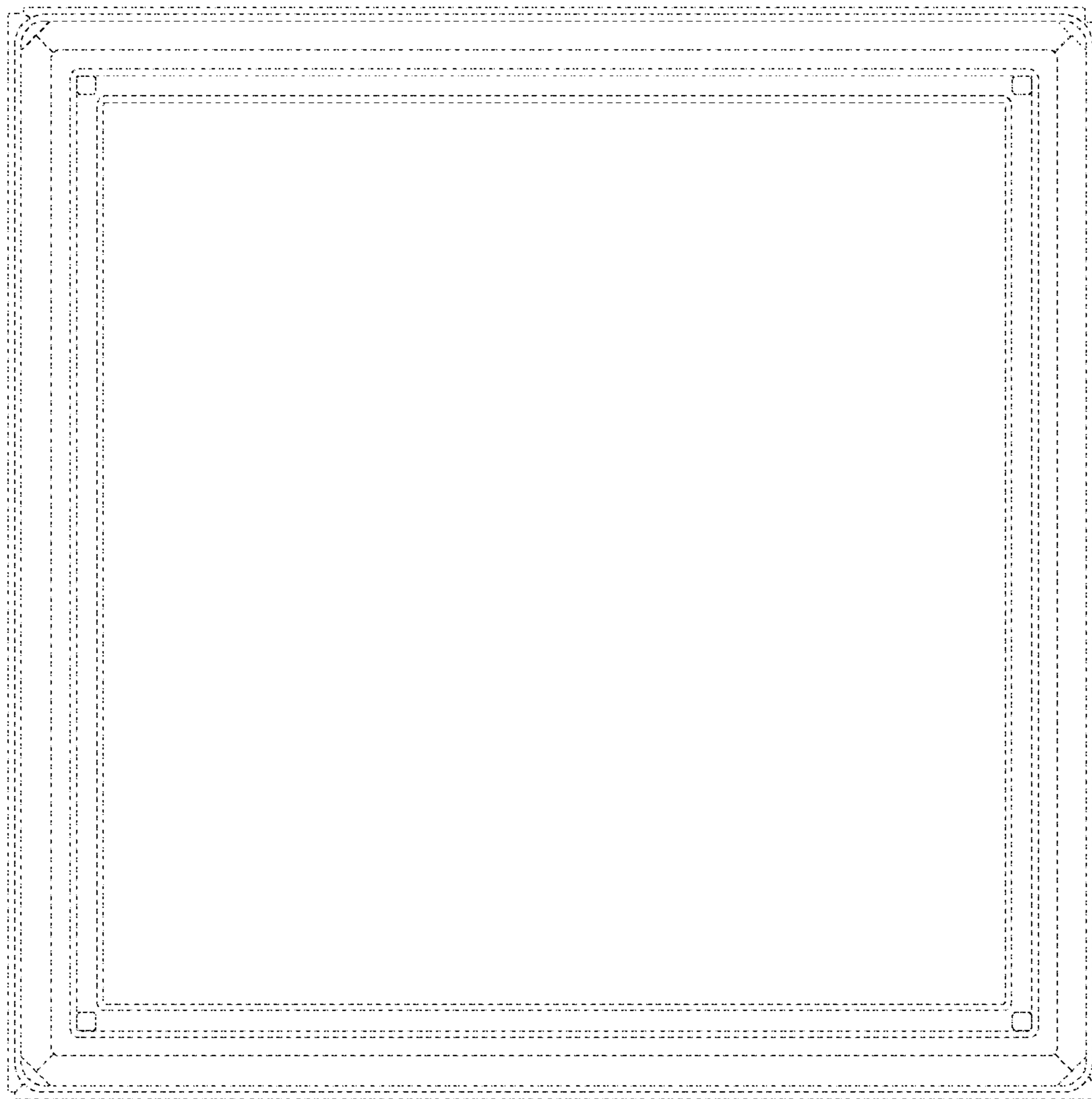


Fig. 3

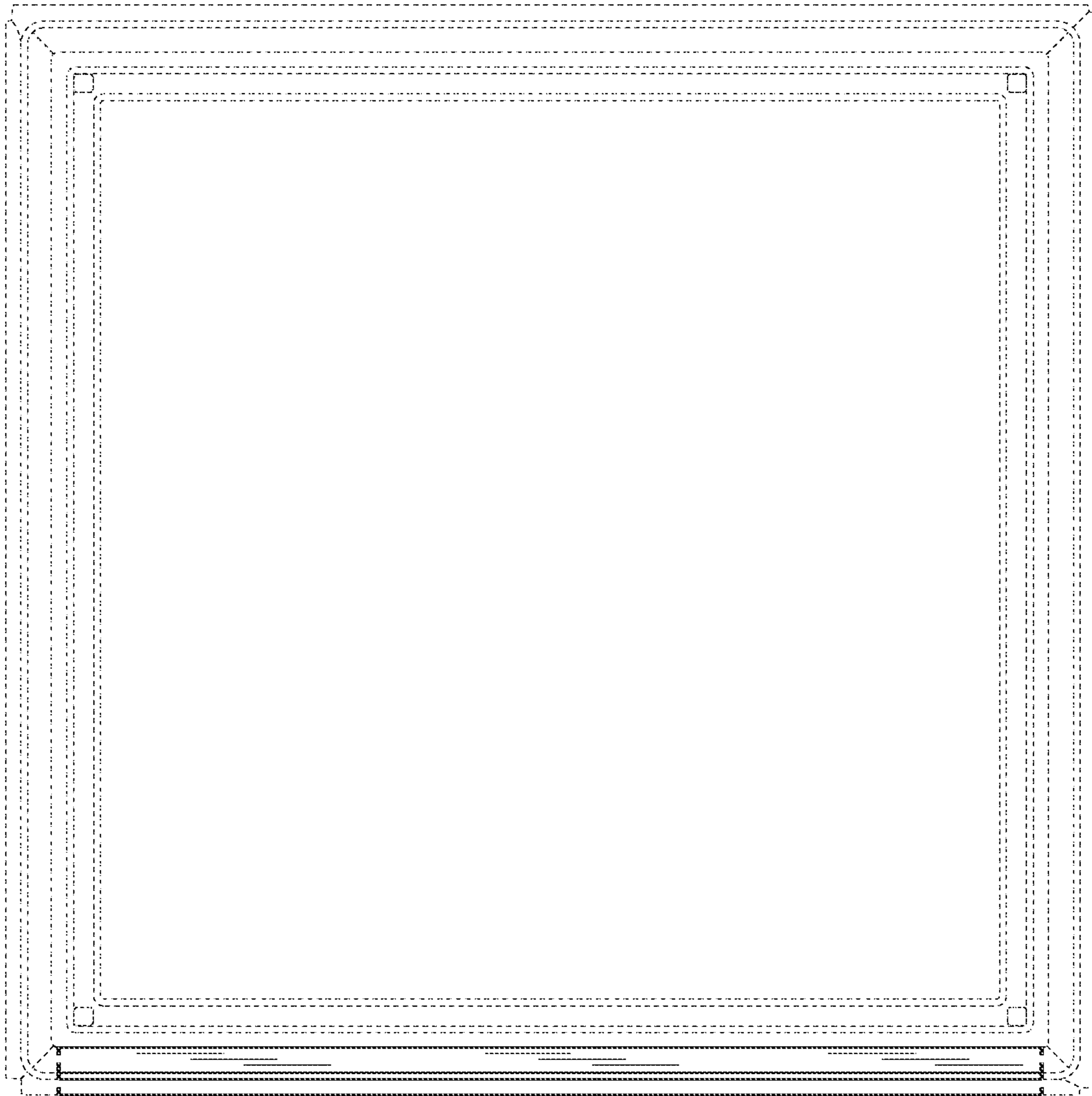


Fig. 4

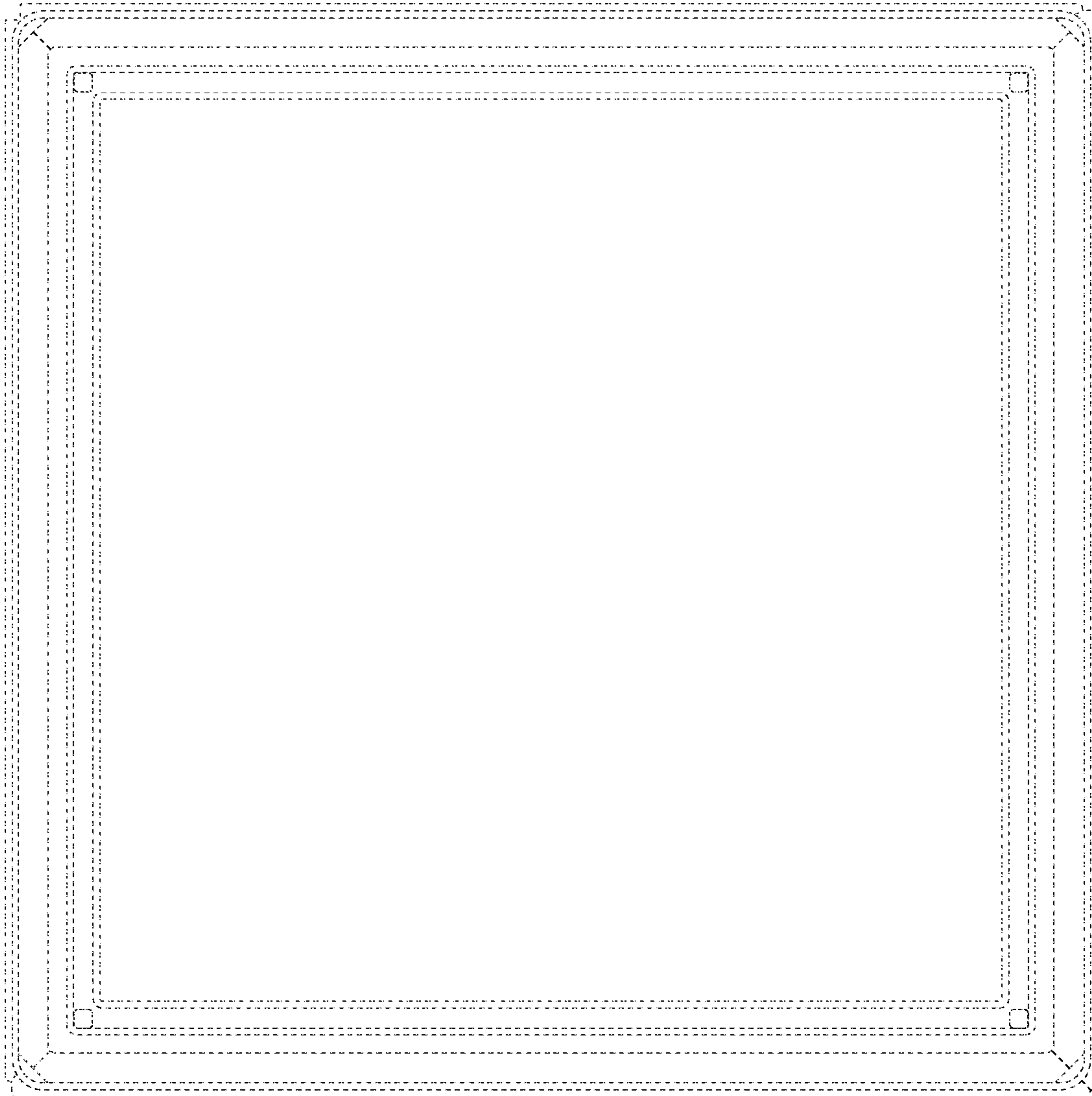


Fig. 5

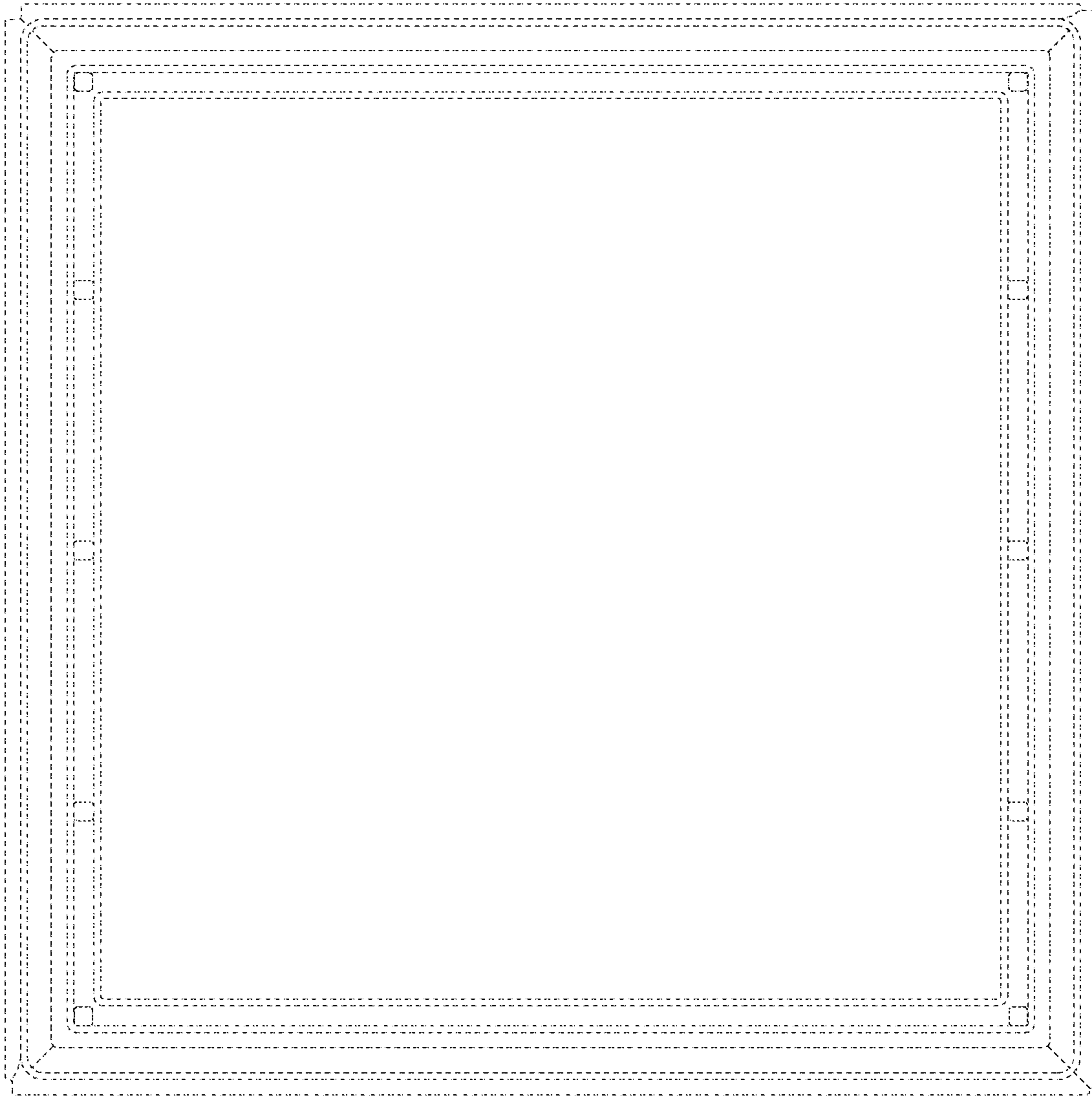


Fig. 6

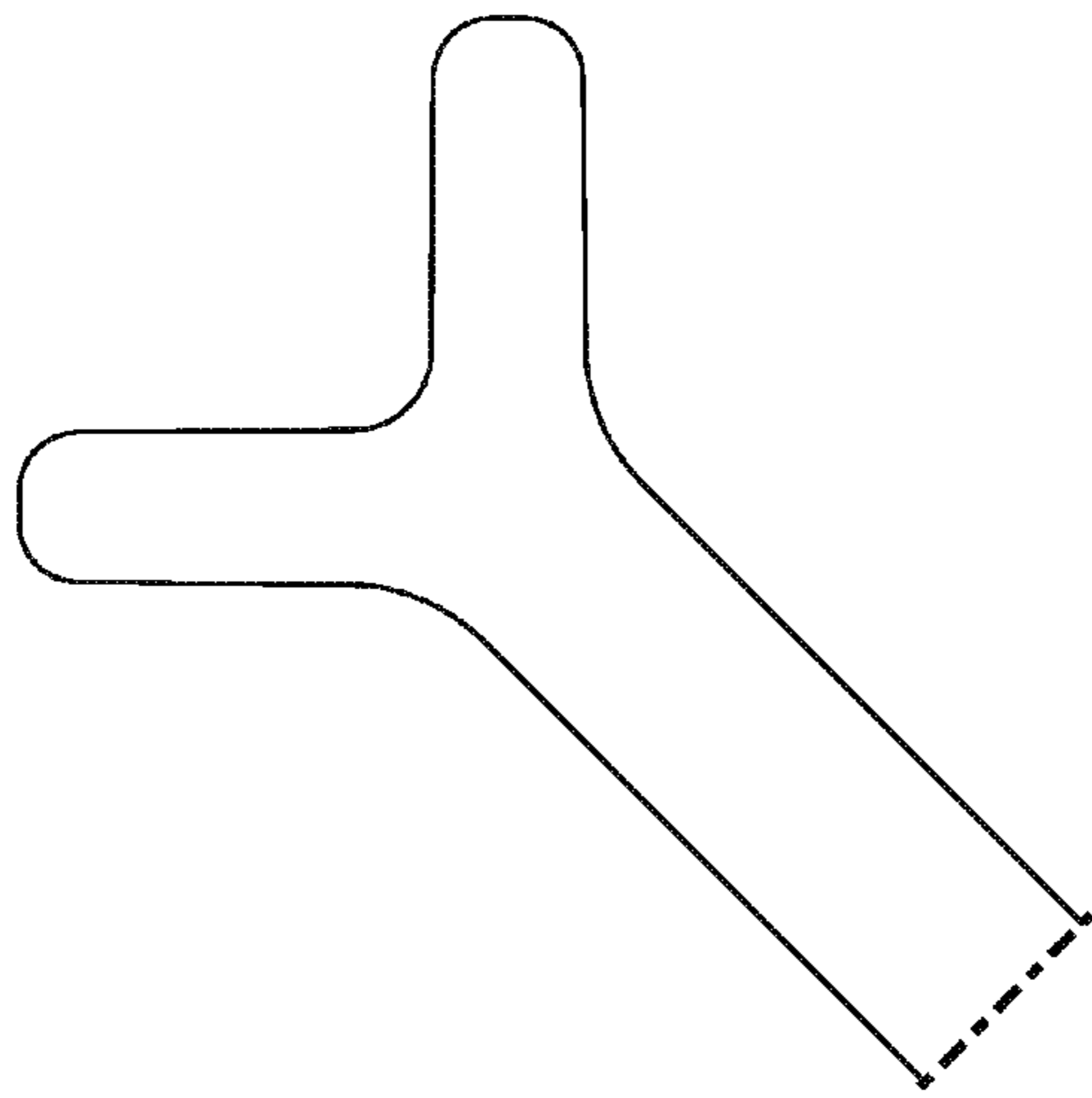


Fig. 7

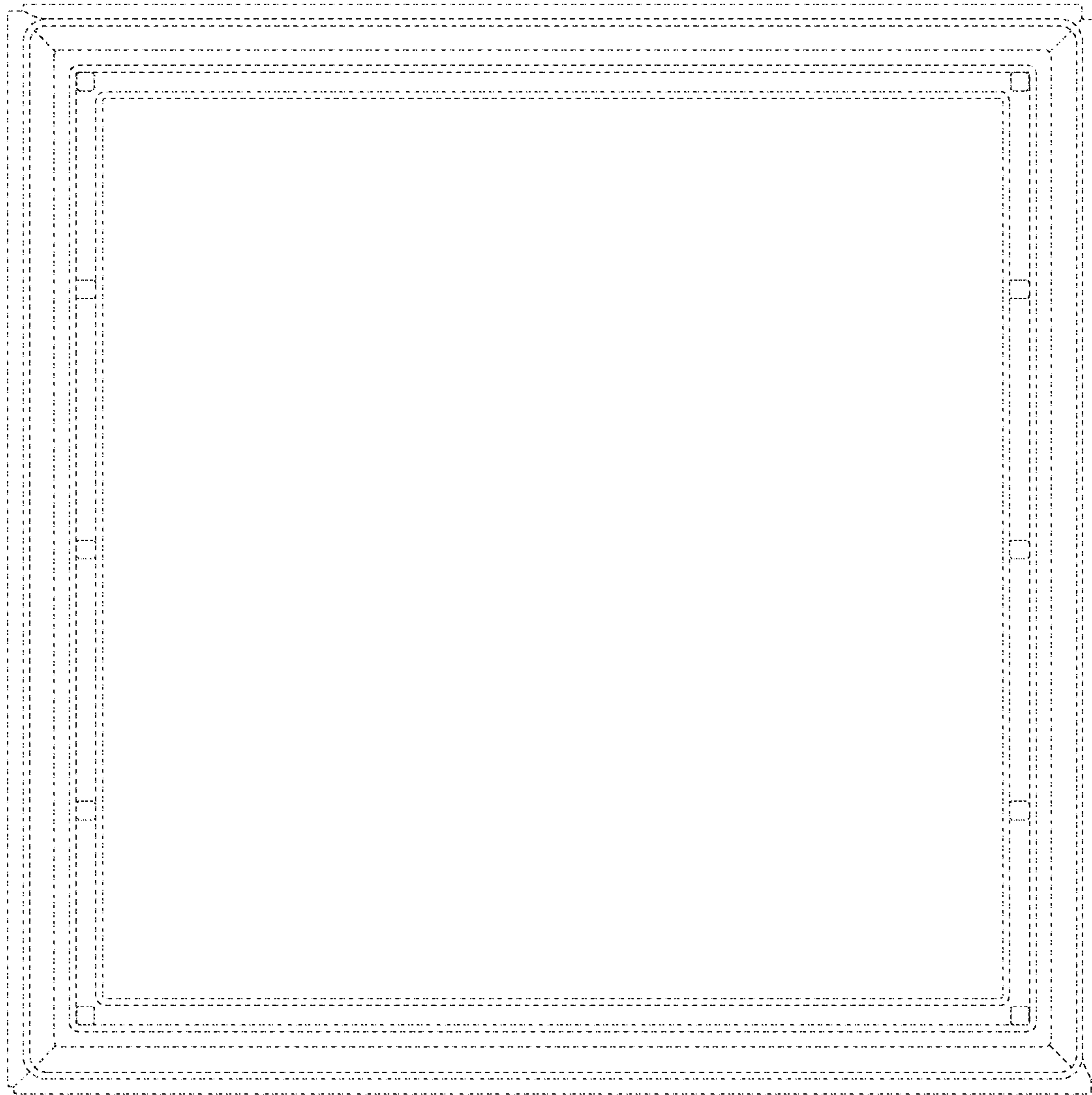


Fig. 8

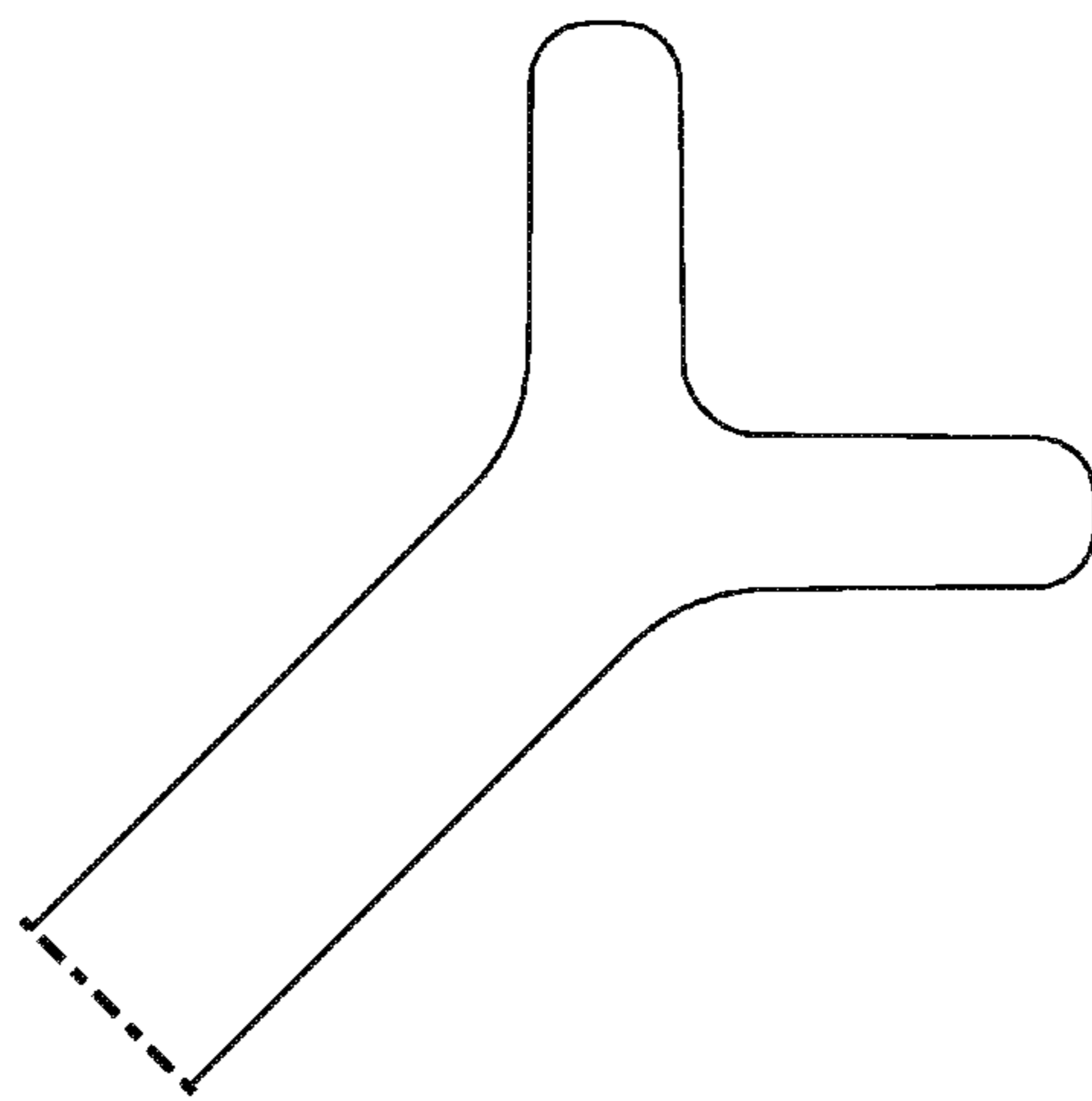


Fig. 9