



US00D663117S

(12) **United States Design Patent**
Schiffman

(10) **Patent No.:** **US D663,117 S**
(45) **Date of Patent:** **** Jul. 10, 2012**

(54) **CARRY BAG**

(76) Inventor: **Wendela Schiffman**, Los Altos, CA
(US)

(**) Term: **14 Years**

(21) Appl. No.: **29/385,258**

(22) Filed: **Feb. 10, 2011**

(51) **LOC (9) Cl.** **03-01**

(52) **U.S. Cl.** **D3/232**

(58) **Field of Classification Search** D3/232-233,
D3/240-253; 150/100, 103-110, 113-114,
150/118-119, 130-132, 136-137
See application file for complete search history.

(56) **References Cited**

U.S. PATENT DOCUMENTS

1,893,931 A * 1/1933 Bromfeld 150/118
D624,311 S * 9/2010 Krakoff D3/232

* cited by examiner

Primary Examiner — Holly Baynham

(74) *Attorney, Agent, or Firm* — Fenwick & West LLP

(57) **CLAIM**

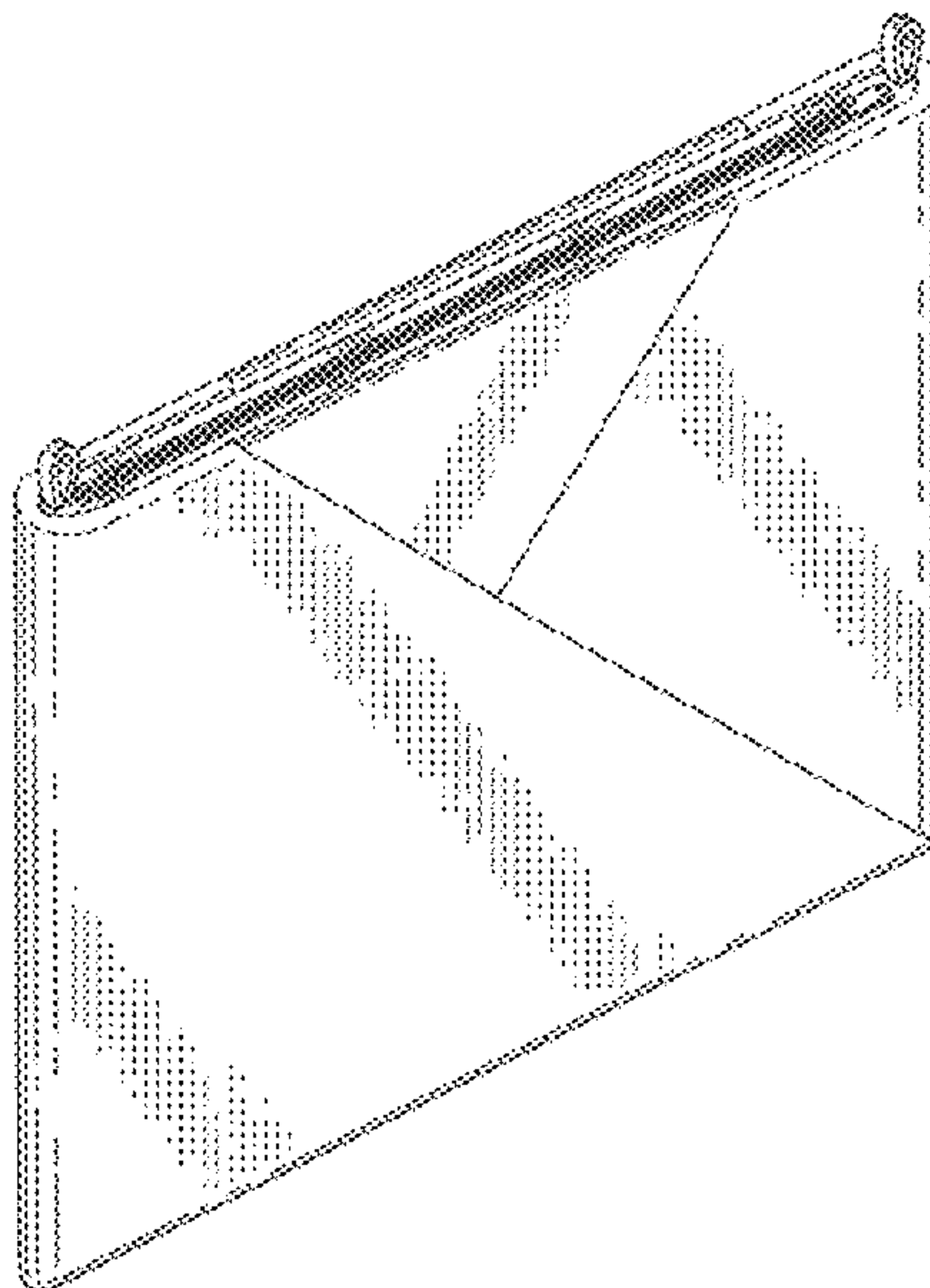
An ornamental design for a carry bag, as shown and described.

DESCRIPTION

FIG. 1 is a front perspective view of the carry bag according to a first embodiment of the present invention;
FIG. 2 is a front view according to the first embodiment thereof;
FIG. 3 is a rear view according to the first embodiment thereof;

FIG. 4 is a left side view according to the first embodiment thereof;
FIG. 5 is a right side view according to the first embodiment thereof;
FIG. 6 is a top view according to the first embodiment thereof;
FIG. 7 is a bottom view according to the first embodiment thereof;
FIG. 8 a front perspective view of the carry bag according to a second embodiment thereof wherein line shading and stippling are used in different areas in the drawing to show the appearance of contrasting surfaces, unlimited by colors and specific materials;
FIG. 9 is a front view according to the second embodiment thereof wherein line shading and stippling are used in different areas in the drawing to show the appearance of contrasting surfaces, unlimited by colors and specific materials;
FIG. 10 is a rear view according to the second embodiment thereof wherein line shading and stippling are used in different areas in the drawing to show the appearance of contrasting surfaces, unlimited by colors and specific materials;
FIG. 11 is a left side view according to the second embodiment thereof wherein line shading and stippling are used in different areas in the drawing to show the appearance of contrasting surfaces, unlimited by colors and specific materials;
FIG. 12 is a right side view according to the second embodiment thereof wherein line shading and stippling are used in different areas in the drawing to show the appearance of contrasting surfaces, unlimited by colors and specific materials;
FIG. 13 is a top view according to the second embodiment thereof wherein line shading and stippling are used in different areas in the drawing to show the appearance of contrasting surfaces, unlimited by colors and specific materials; and,
FIG. 14 is a bottom view according to the second embodiment thereof wherein line shading and stippling are used in different areas in the drawing to show the appearance of contrasting surfaces, unlimited by colors and specific materials.

1 Claim, 8 Drawing Sheets



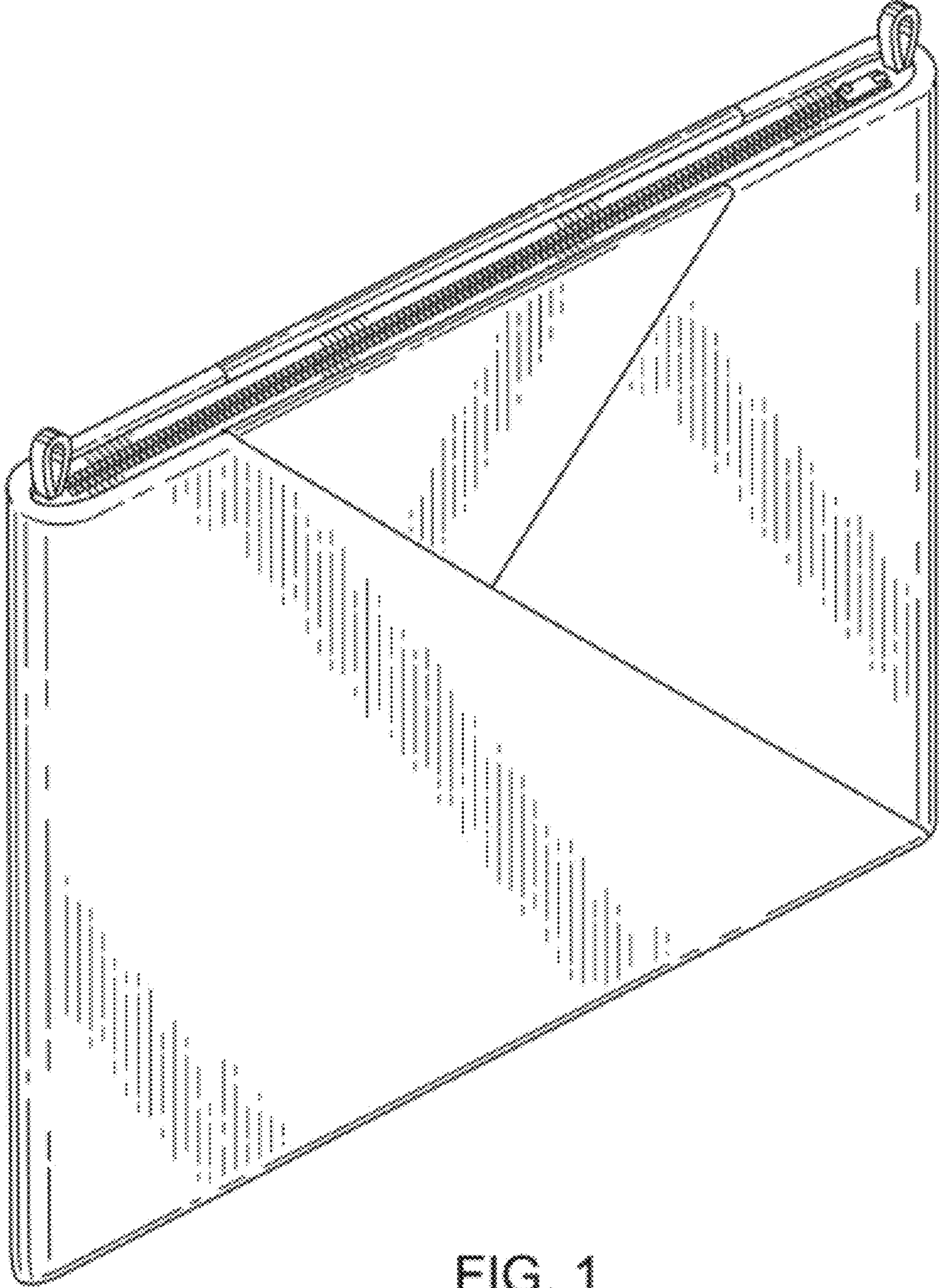


FIG. 1

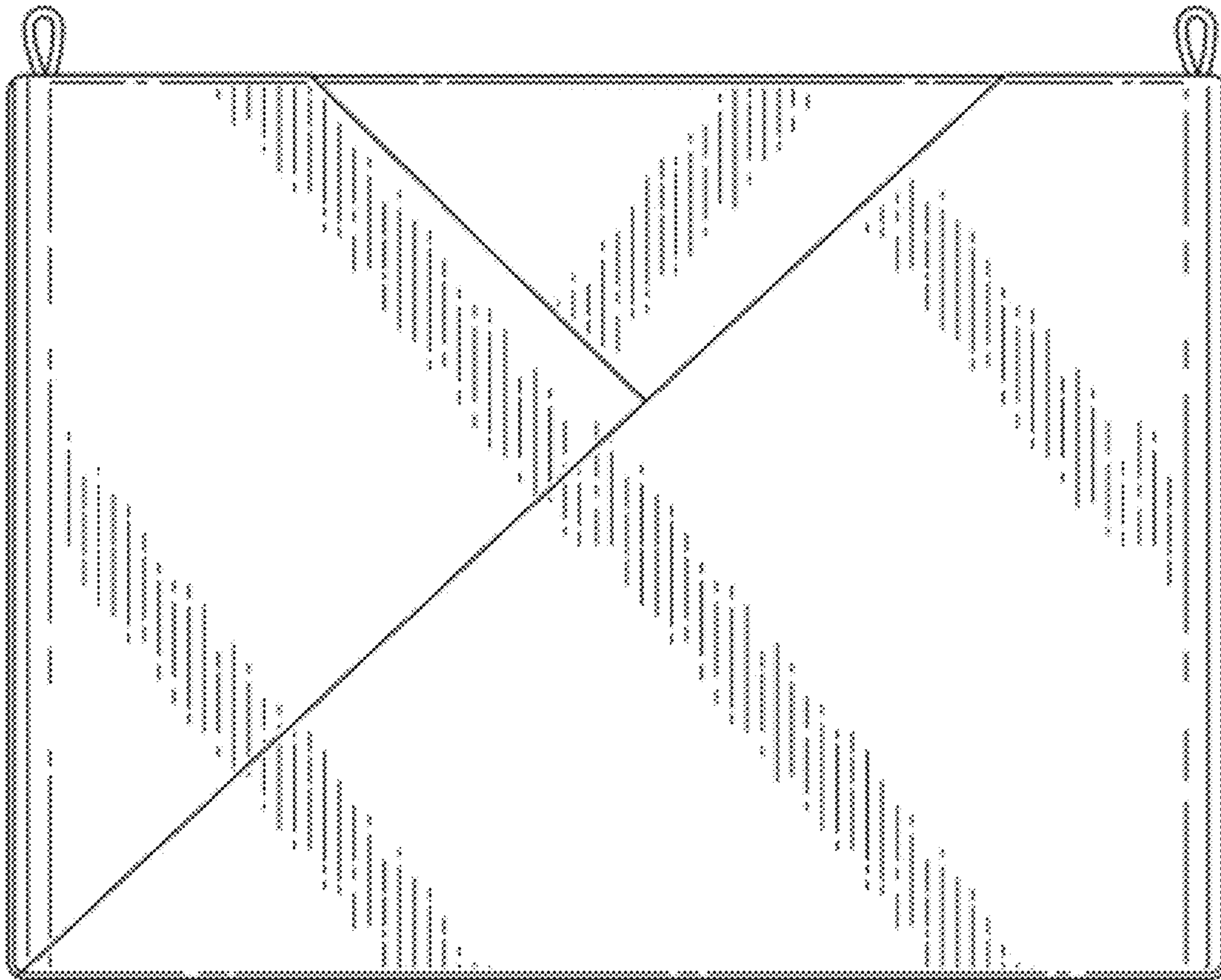


FIG. 2

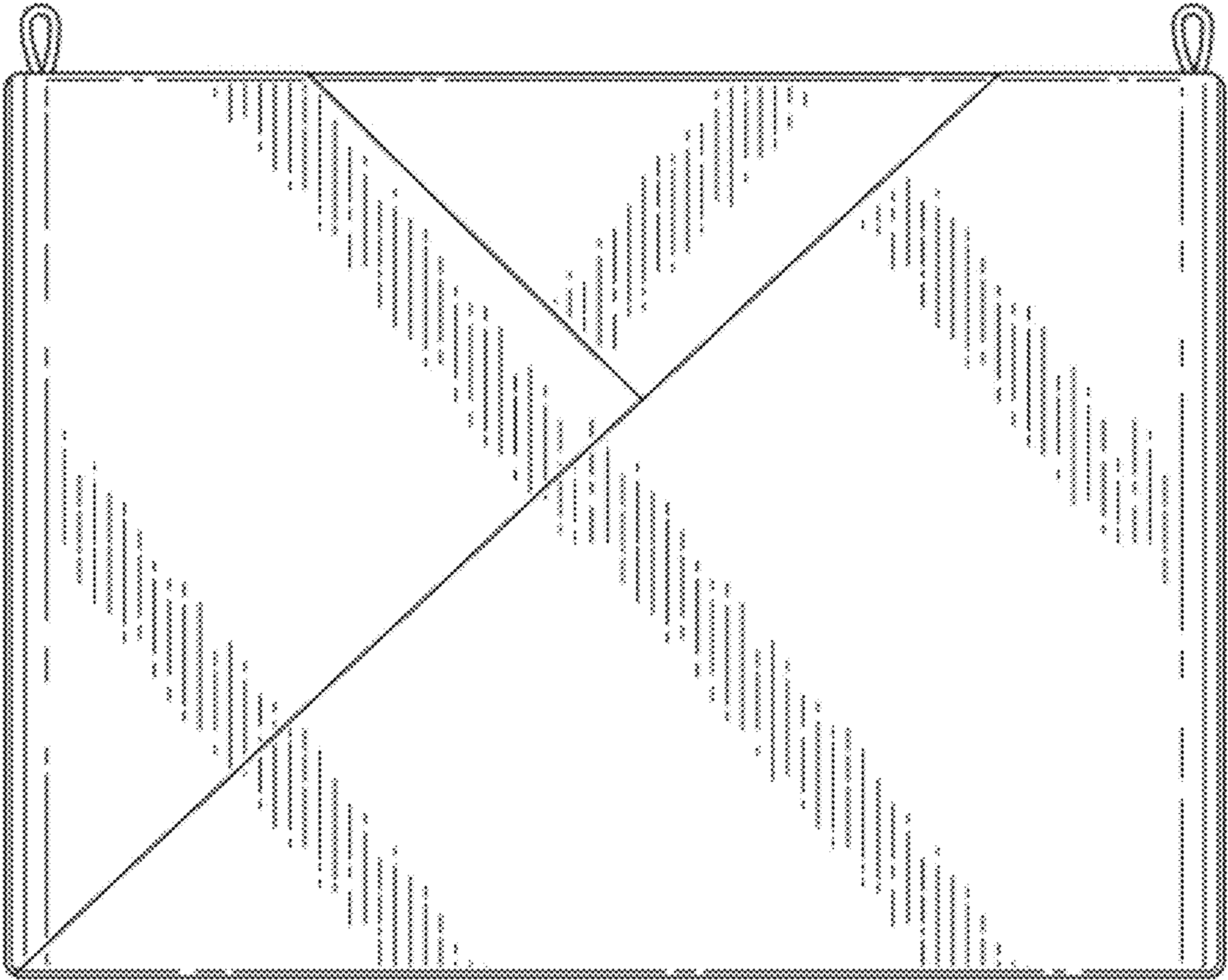


FIG. 3

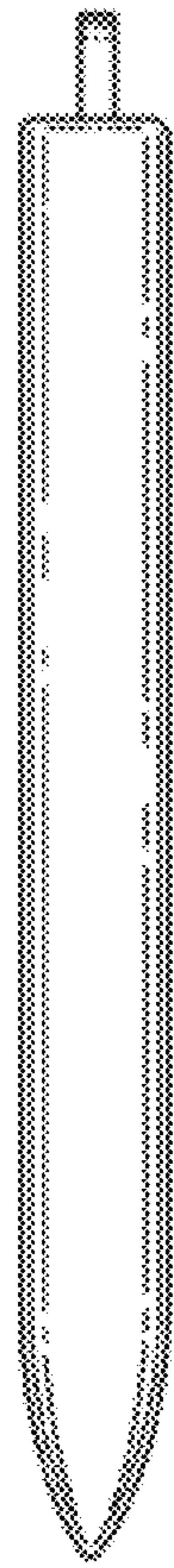


FIG. 4

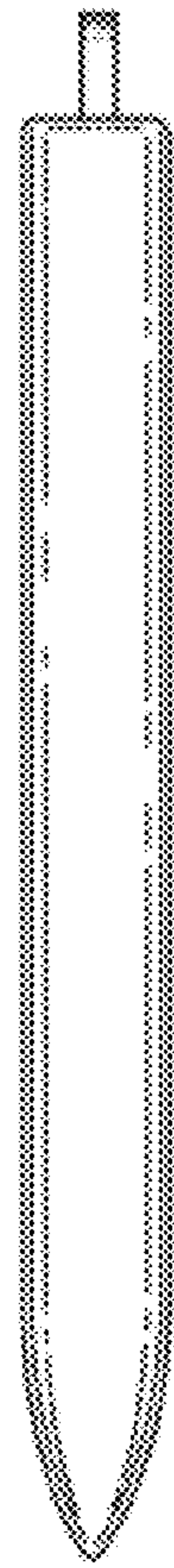


FIG. 5

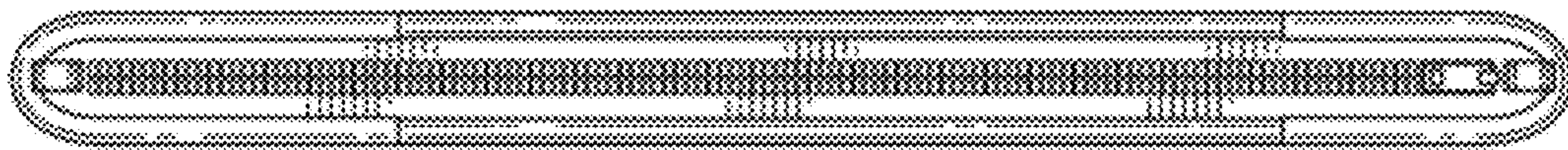


FIG. 6



FIG. 7

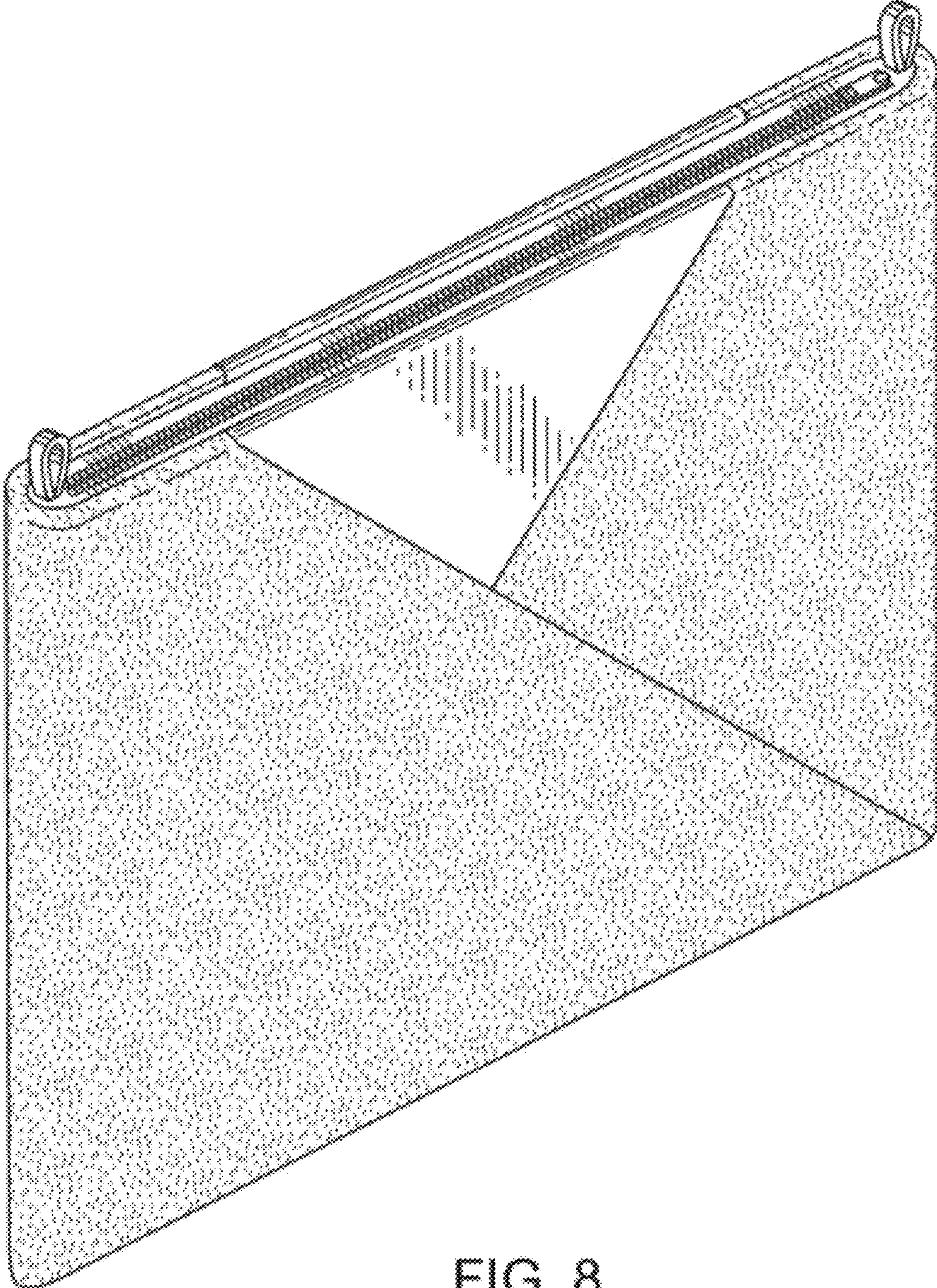


FIG. 8

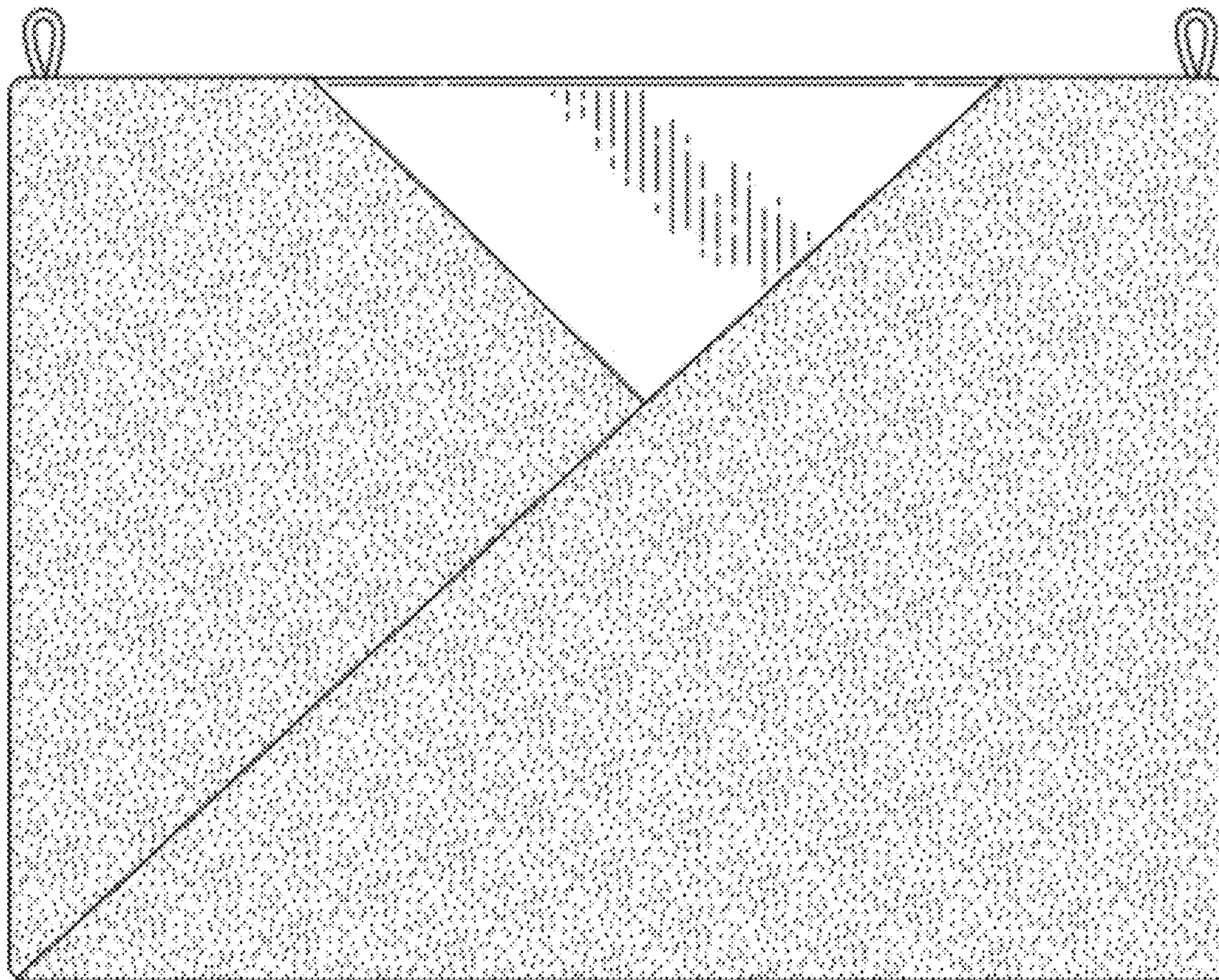


FIG. 9

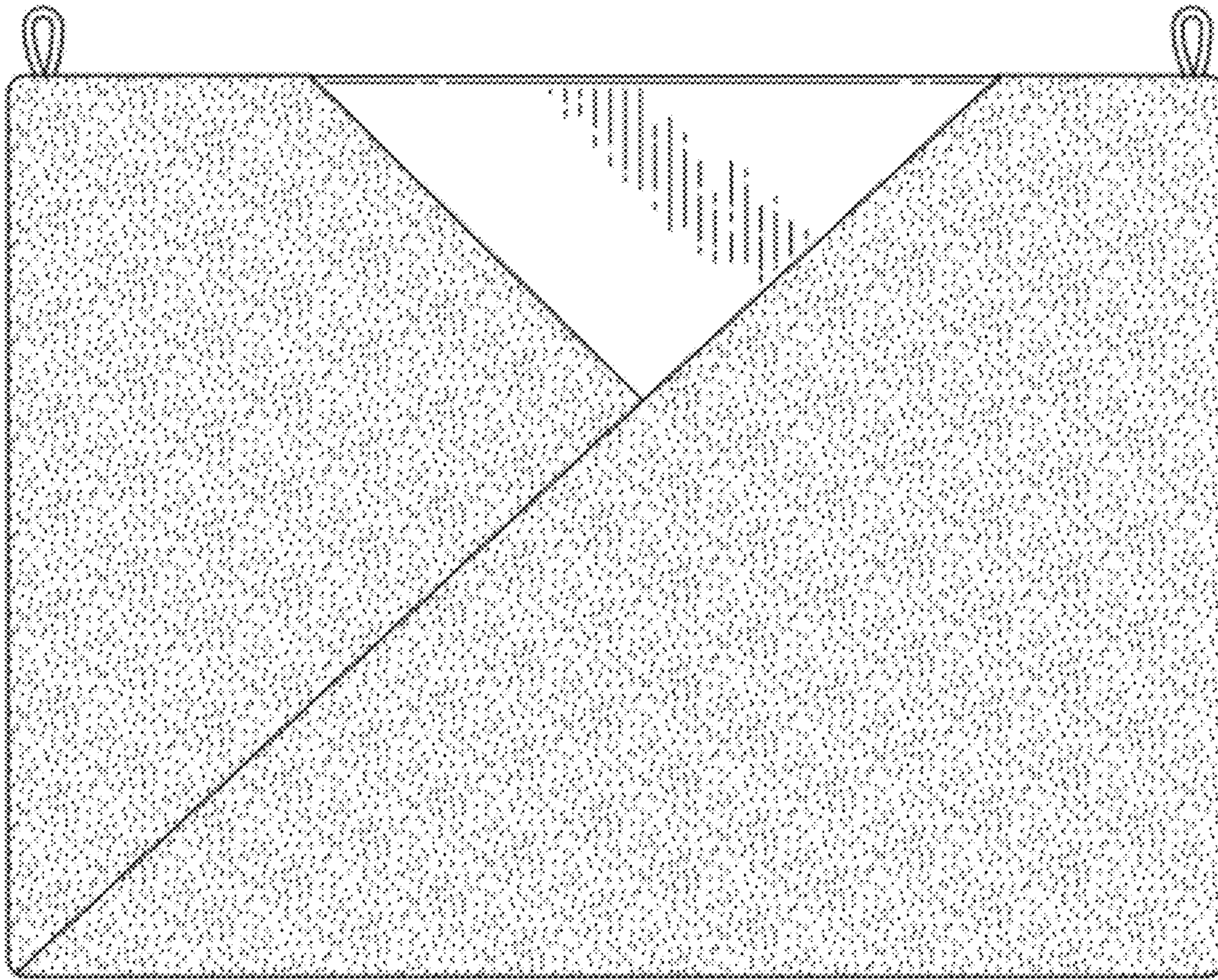


FIG. 10

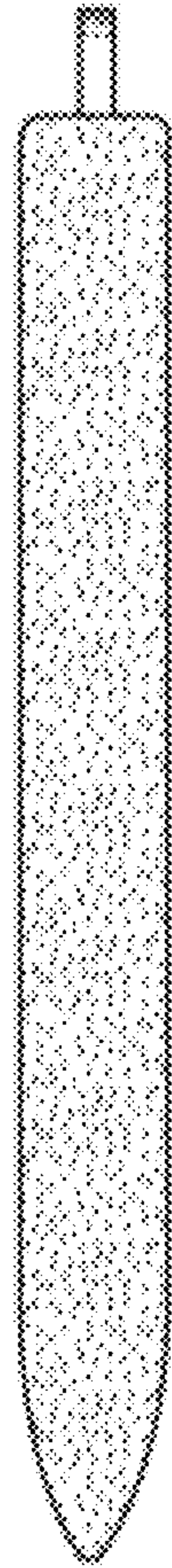


FIG. 11

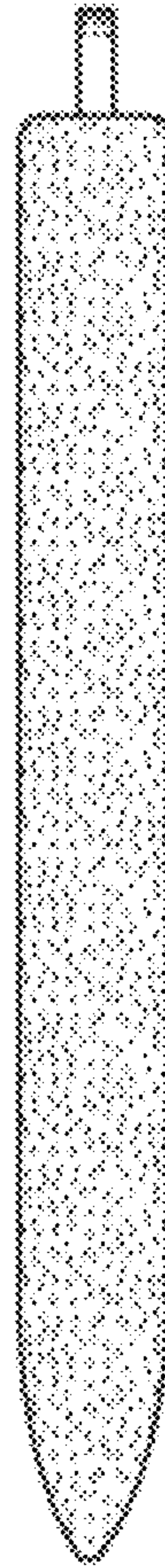


FIG. 12



FIG. 13

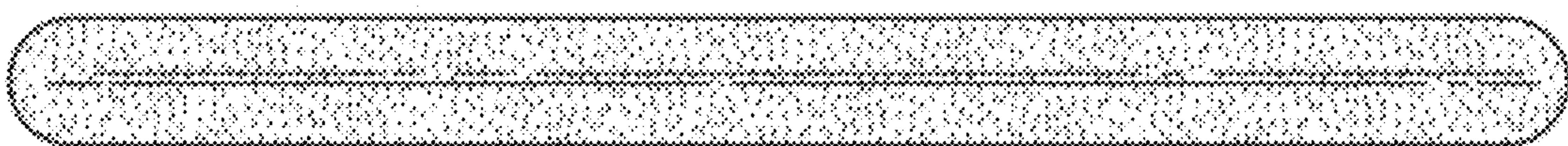


FIG. 14