



US00D663115S

(12) **United States Design Patent**  
**Hansen**

(10) **Patent No.:** **US D663,115 S**  
(45) **Date of Patent:** **\*\* Jul. 10, 2012**

(54) **MAGNETIC TOOL HOLDER**

(76) Inventor: **Mark Hansen**, Largo, FL (US)

(\*\*) Term: **14 Years**

(21) Appl. No.: **29/408,272**

(22) Filed: **Dec. 9, 2011**

(51) **LOC (9) Cl.** ..... **03-01**

(52) **U.S. Cl.** ..... **D3/228**

(58) **Field of Classification Search** ..... D3/228,  
D3/215, 224, 226; 224/183, 240, 242, 245,  
224/269, 271, 666, 673, 677, 678, 901, 904,  
224/918-919; 24/303

See application file for complete search history.

(56) **References Cited**

**U.S. PATENT DOCUMENTS**

D252,422 S *	7/1979	Gillenwater	.....	D3/221
D296,156 S *	6/1988	Deany et al.	.....	D3/221
5,025,966 A	6/1991	Potter		
5,213,240 A	5/1993	Dietz et al.		
D457,311 S	5/2002	Dedrick		
6,382,482 B1	5/2002	Chao		
6,457,252 B1	10/2002	Kershner		
6,520,863 B2 *	2/2003	Porper	.....	224/183

D513,866 S \* 1/2006 Goffinet ..... D3/228  
7,076,885 B2 7/2006 Potter  
2009/0095785 A1 4/2009 Woolery

\* cited by examiner

*Primary Examiner* — Catheri Oliver

(74) *Attorney, Agent, or Firm* — Larson & Larson, P.A.;  
Frank Liebenow; Justin P. Miller

(57) **CLAIM**

I claim the ornamental design for a magnetic tool holder, as shown and described.

**DESCRIPTION**

FIG. 1 is a front elevation view of the magnetic tool holder showing my new design;  
FIG. 2 is a rear elevation view thereof;  
FIG. 3 is a left side view thereof;  
FIG. 4 is a right side view thereof;  
FIG. 5 is a top plan view thereof;  
FIG. 6 is a bottom plan view thereof;  
FIG. 7 is a perspective view thereof; and,  
FIG. 8 is a perspective view thereof showing a typical use; where the magnetic tool holder is clipped to the belt of a user and is ready to receive a tape measure.  
The broken lines depicting a tape measure and user in FIG. 8 are for illustrative purposes only and form no part of the claimed design.

**1 Claim, 5 Drawing Sheets**

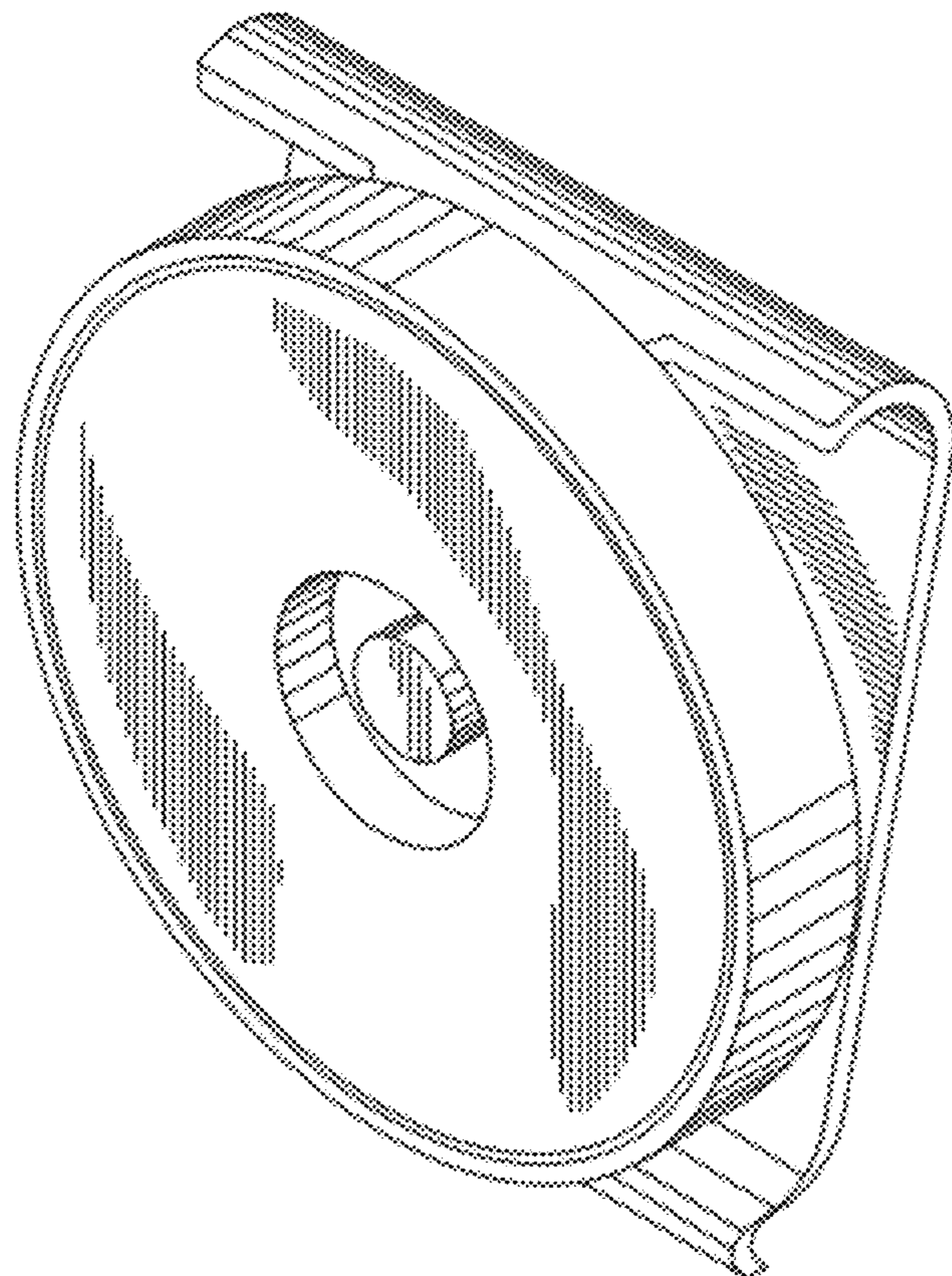


FIG. 1

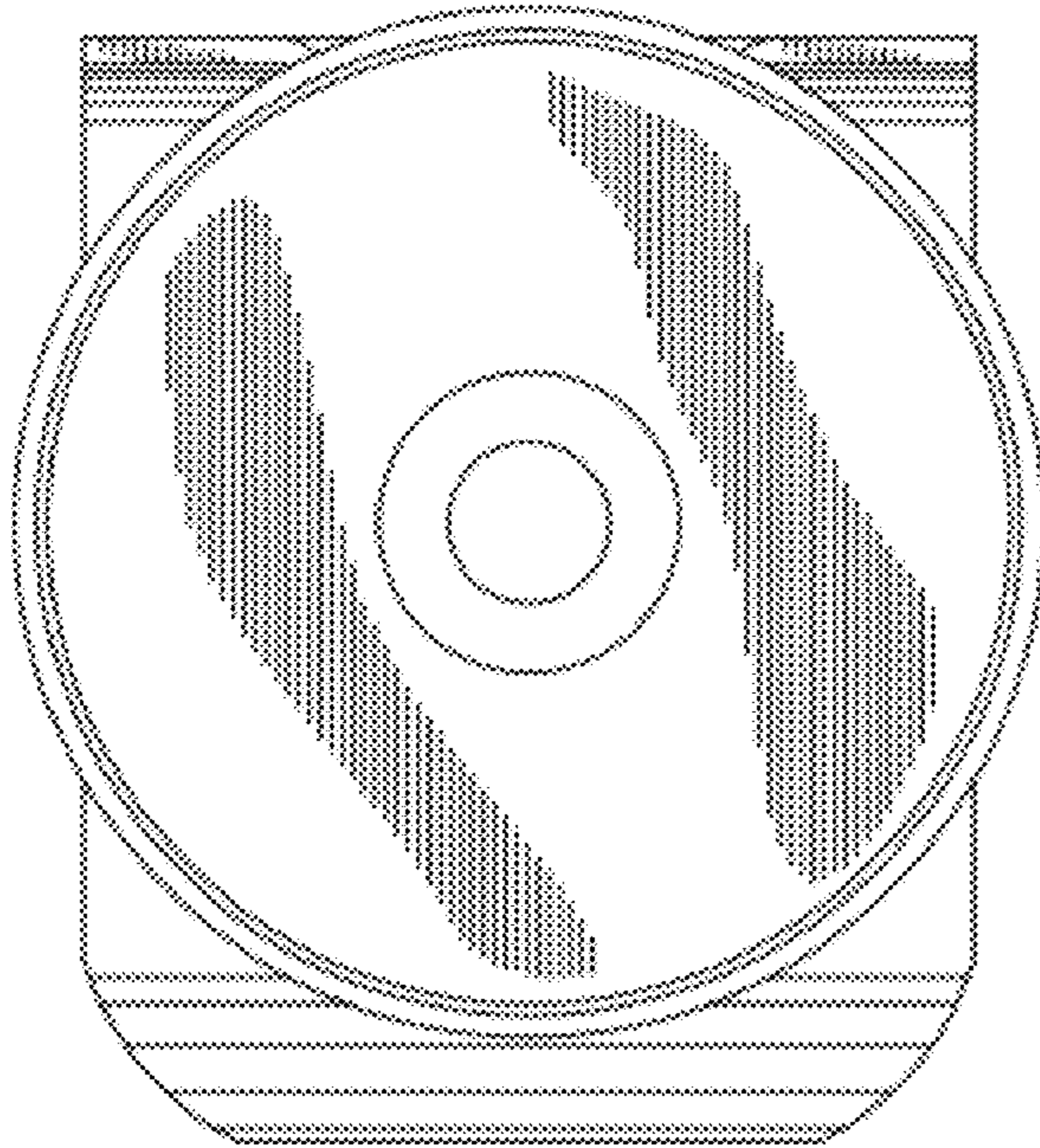


FIG. 2

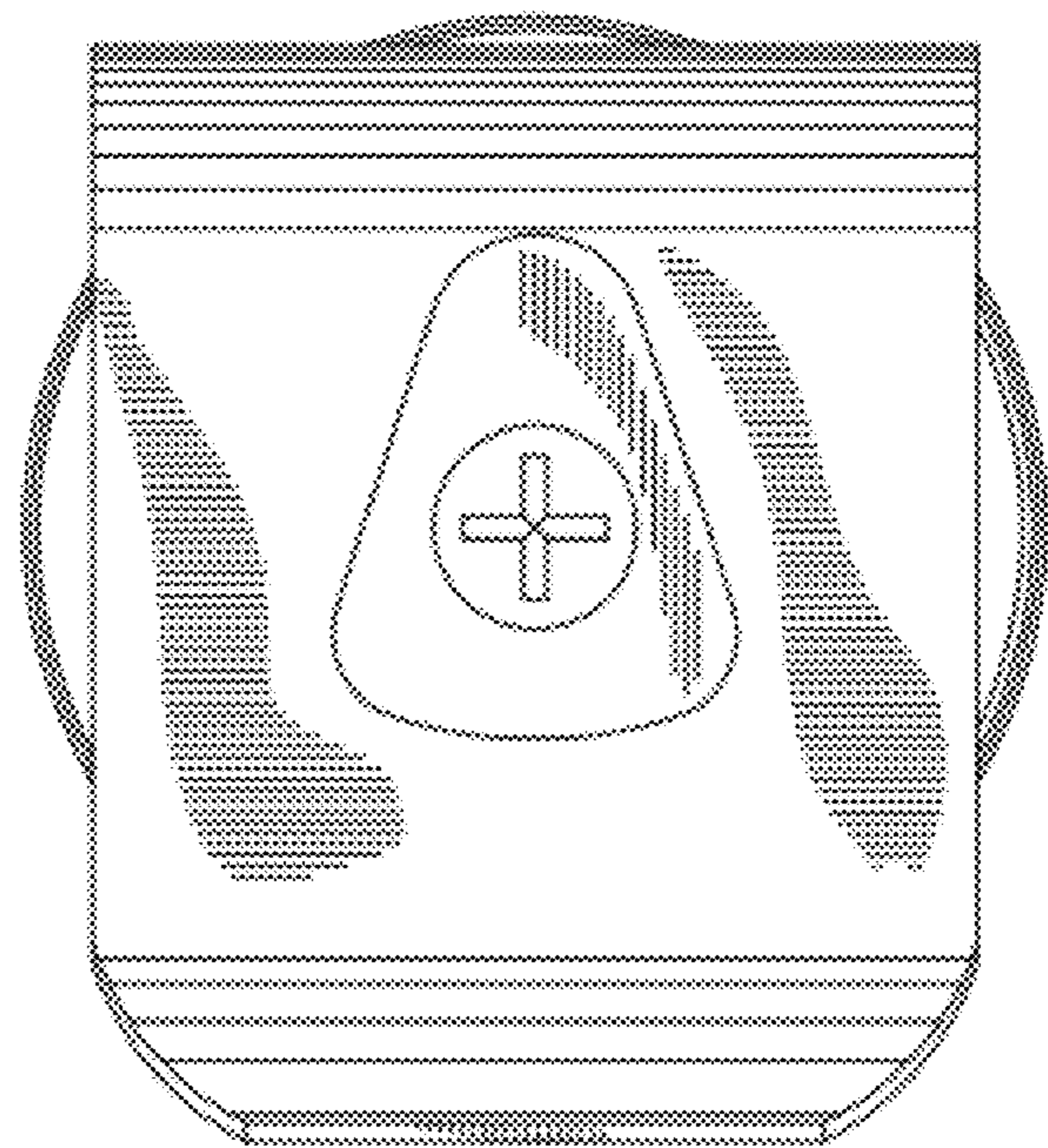


FIG. 3

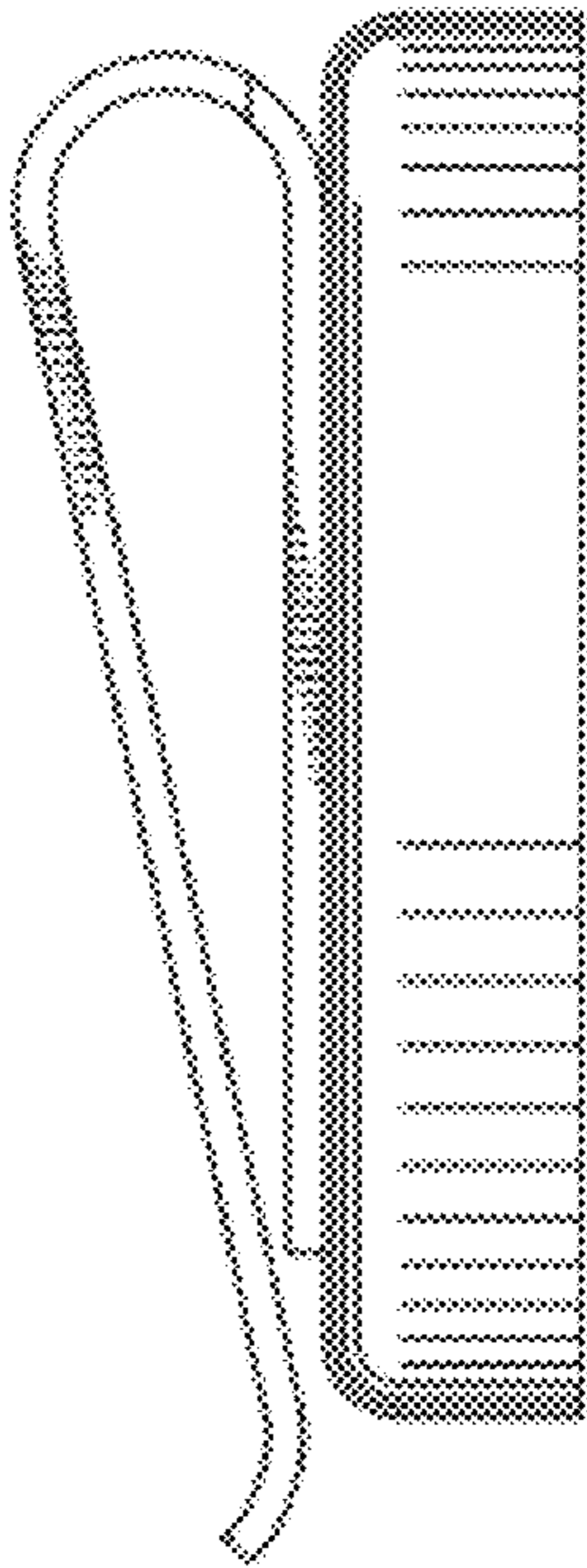


FIG. 4

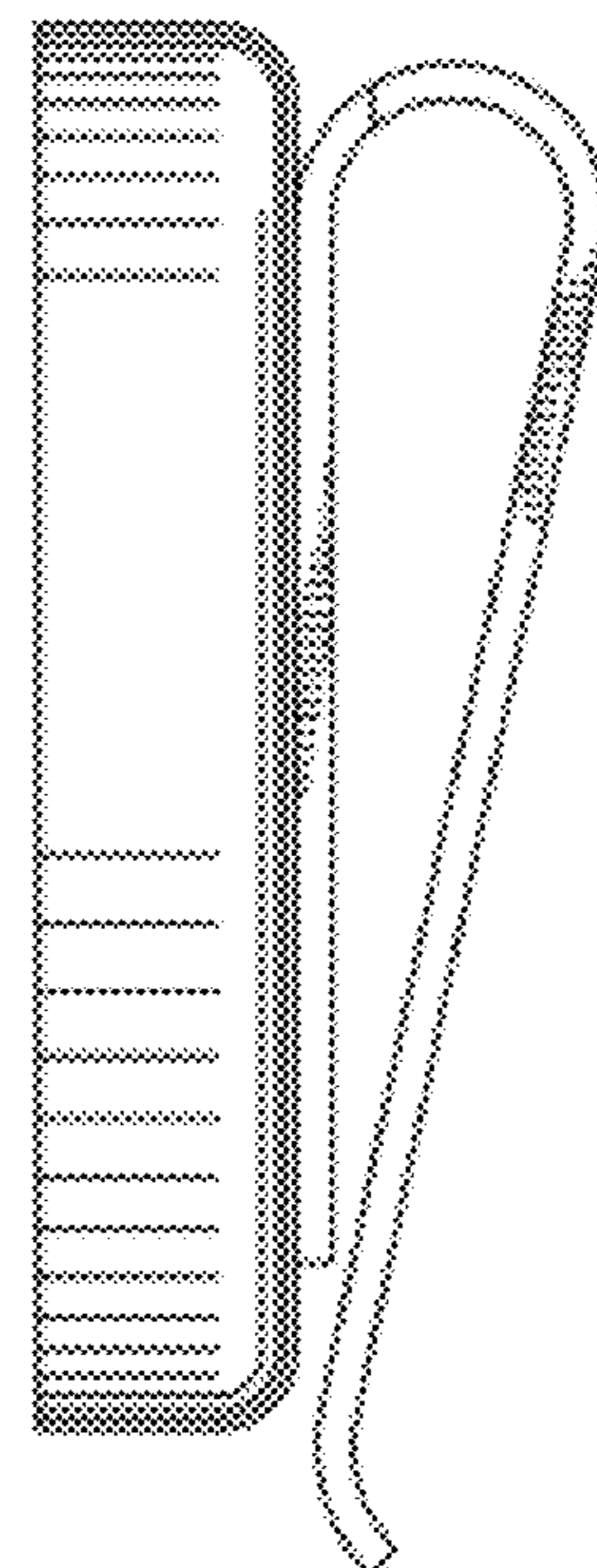


FIG. 5

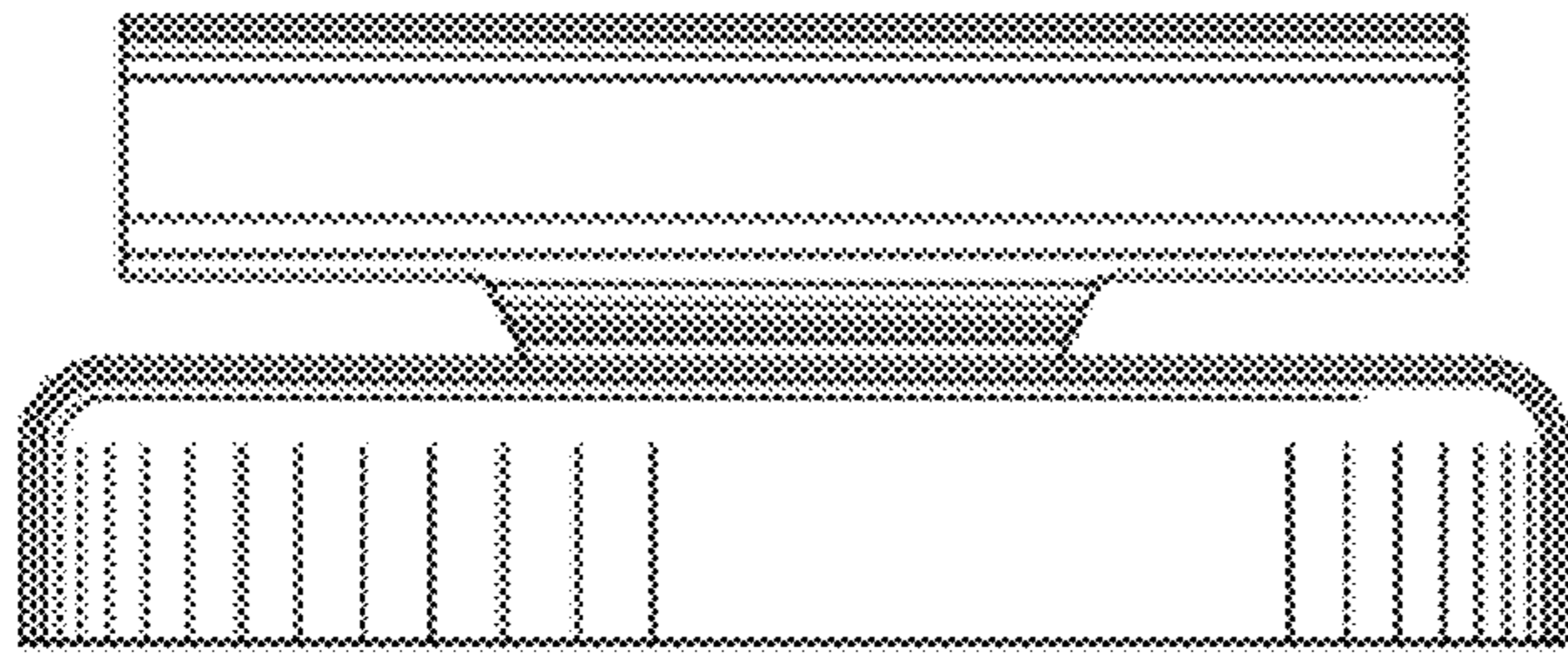


FIG. 6

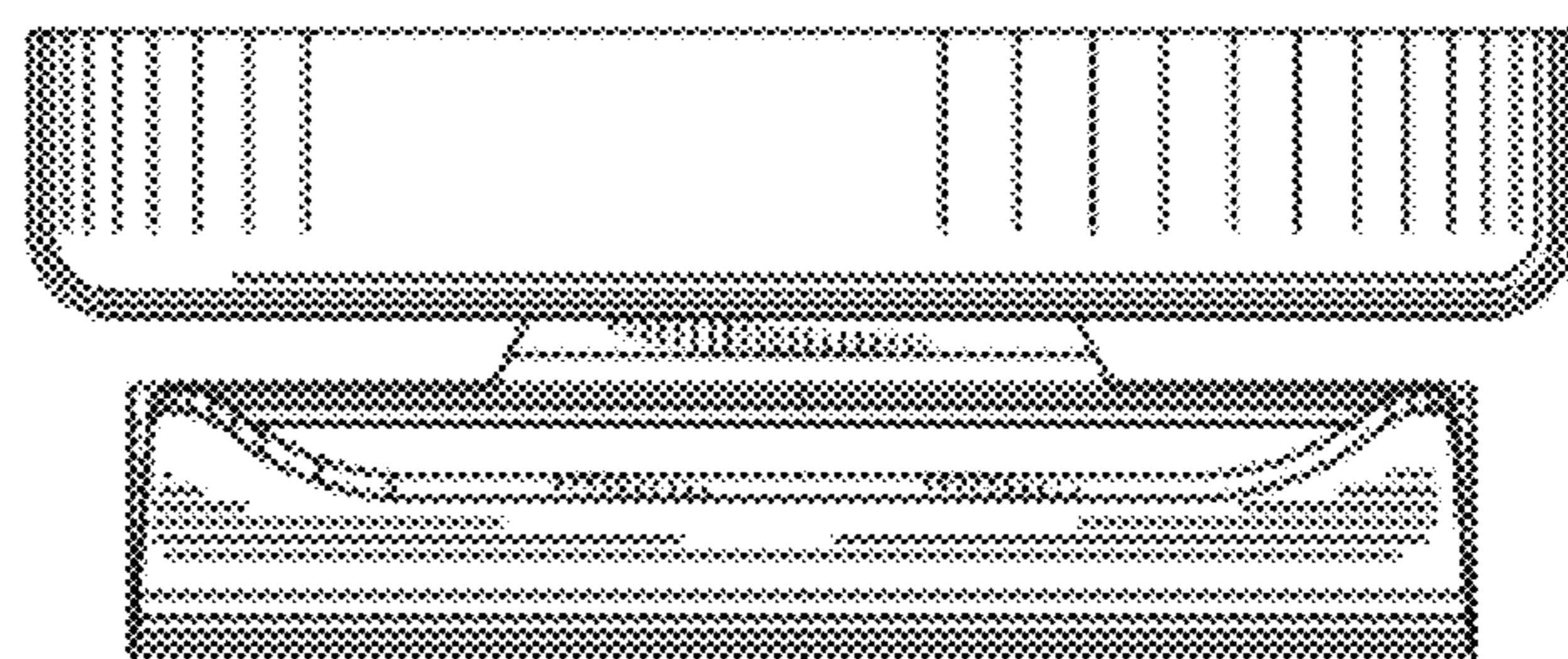


FIG. 7

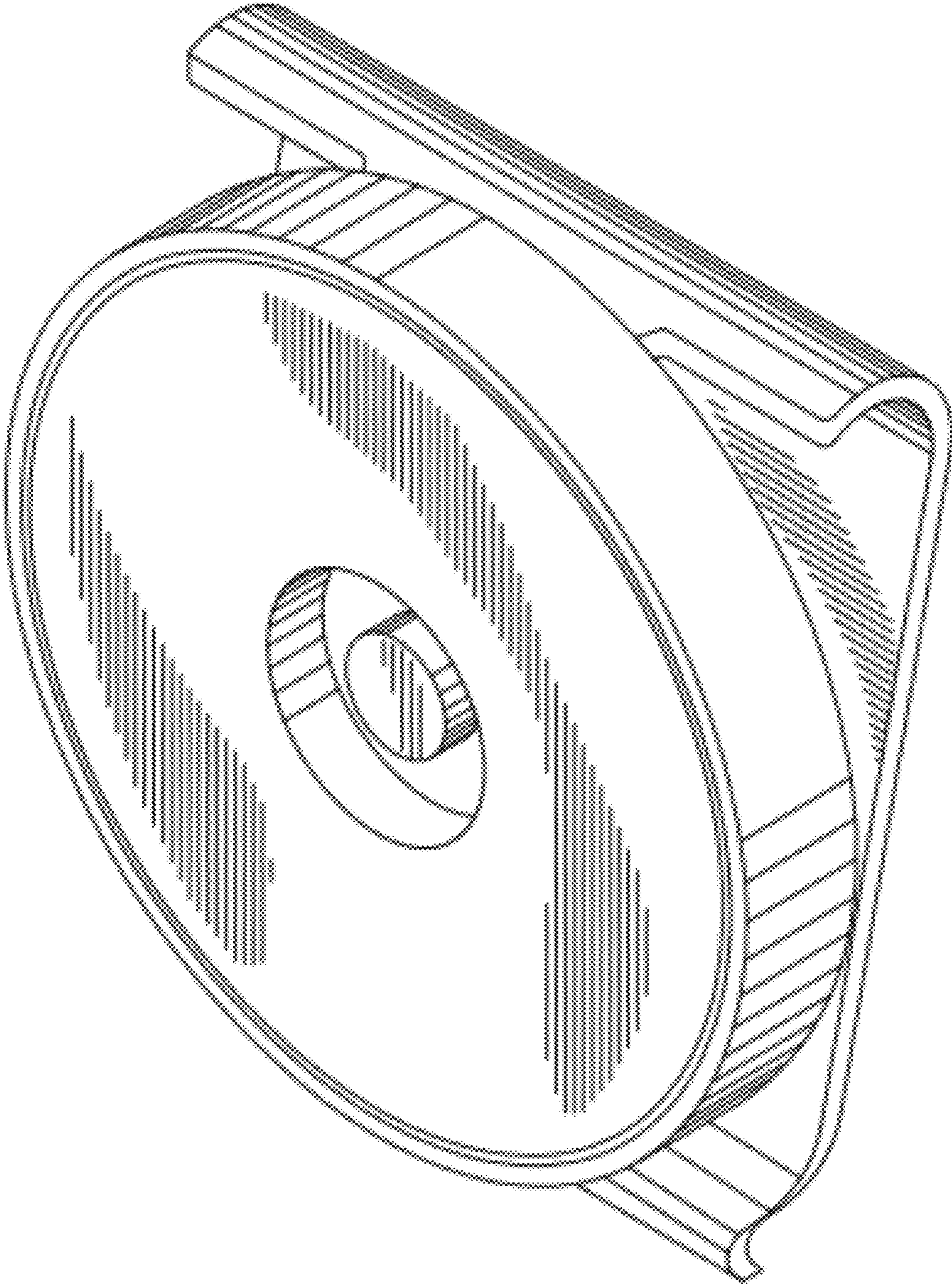


FIG. 8

