



US00D663113S

(12) **United States Design Patent**  
**Simms**

(10) **Patent No.:** **US D663,113 S**  
(45) **Date of Patent:** **\*\* Jul. 10, 2012**

(54) **MEDICATION ORGANIZER AND REMINDER**

(76) Inventor: **Aaron Simms, Ajax (CA)**

(\*\*) Term: **14 Years**

(21) Appl. No.: **29/406,845**

(22) Filed: **Nov. 18, 2011**

(51) **LOC (9) Cl.** ..... **03-01**

(52) **U.S. Cl.** ..... **D3/203.3**

(58) **Field of Classification Search** ..... D3/201–205;  
206/528–540; D9/730–736; D21/447  
See application file for complete search history.

(56) **References Cited**

**U.S. PATENT DOCUMENTS**

D278,513	S	*	4/1985	Ebeling et al.	.....	D3/203.3
D463,102	S	*	9/2002	Rosado et al.	.....	D3/203.3
D488,618	S	*	4/2004	Wekstein	.....	D3/203.3
7,044,302	B2	*	5/2006	Conley	.....	206/538
7,128,213	B2	*	10/2006	Tung et al.	.....	206/538
D563,095	S	*	3/2008	Sabbag	.....	D3/203.3
D570,595	S	*	6/2008	Chue	.....	D3/203.3

\* cited by examiner

*Primary Examiner* — Catheri Oliver

(74) *Attorney, Agent, or Firm* — QuickPatents, Inc.; Kevin Prince

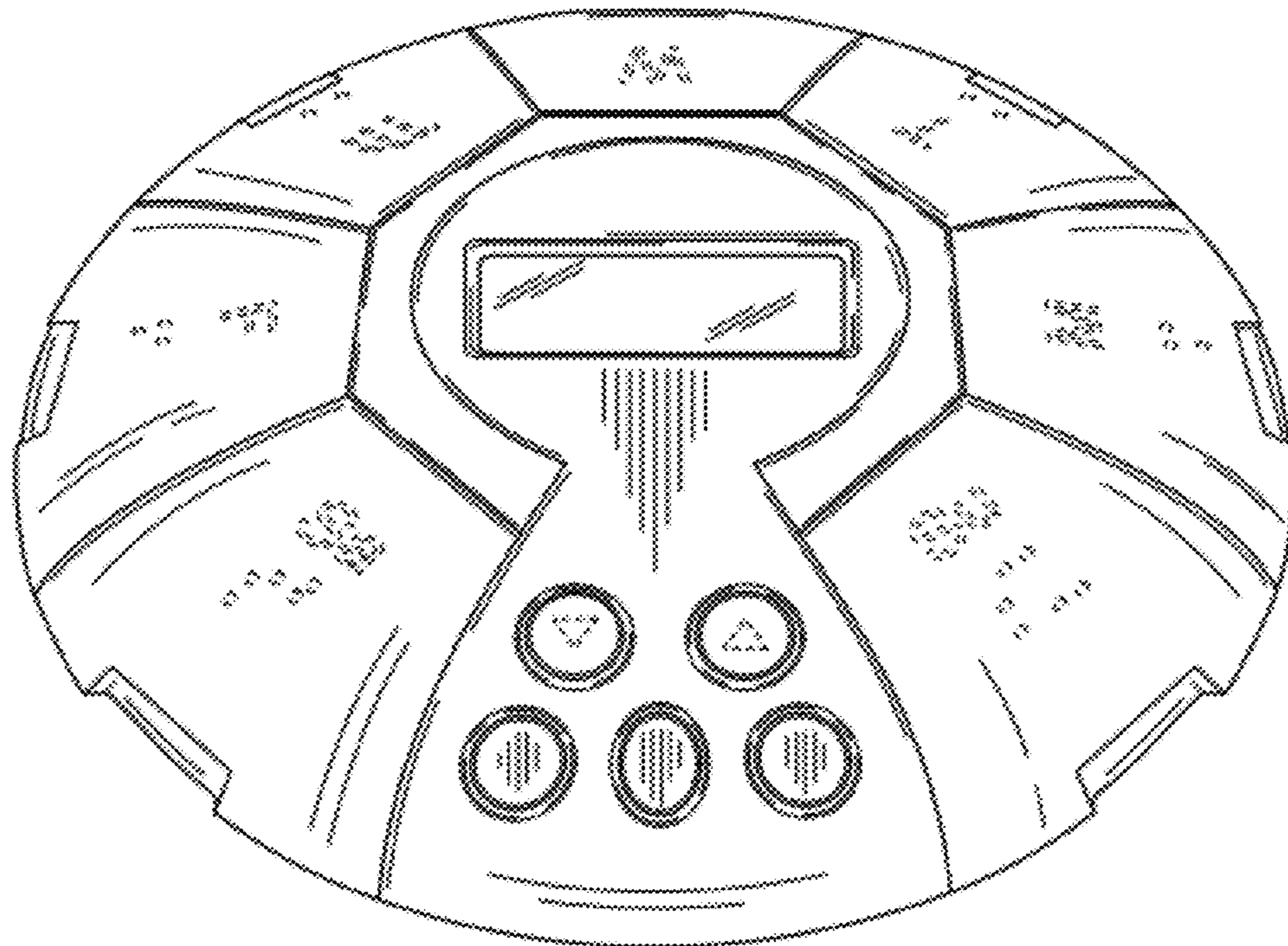
(57) **CLAIM**

I claim the ornamental design for a medication organizer and reminder, as shown and described.

**DESCRIPTION**

FIG. 1 is a top perspective view of a medication organizer and reminder, showing a first embodiment of my new design with compartment covers in a closed position;  
 FIG. 2 is a bottom perspective view of FIG. 1;  
 FIG. 3 is a front elevational view of FIG. 1;  
 FIG. 4 is a rear elevational view of FIG. 1;  
 FIG. 5 is a left-side elevational view of FIG. 1;  
 FIG. 6 is a right-side elevational view of FIG. 1;  
 FIG. 7 is a top plan view of FIG. 1;  
 FIG. 8 is a bottom plan view of FIG. 1;  
 FIG. 9 is a perspective view thereof, illustrated with the compartment covers in an open position;  
 FIG. 10 is a top perspective view of a second embodiment of the design, illustrated with transparent compartment covers in a closed position;  
 FIG. 11 is a front elevational view of FIG. 10;  
 FIG. 12 is a rear elevational view of FIG. 10;  
 FIG. 13 is a left-side elevational view of FIG. 10;  
 FIG. 14 is a right-side elevational view of FIG. 10;  
 FIG. 15 is a top plan view of FIG. 10; and,  
 FIG. 16 is a perspective view of the second embodiment, illustrated with the compartment covers in the open position. The broken lines showing braille and other indicia in the figures depict environmental matter and form no part of the claimed design. It is understood that the bottom view of both embodiments is substantially identical.

**1 Claim, 9 Drawing Sheets**



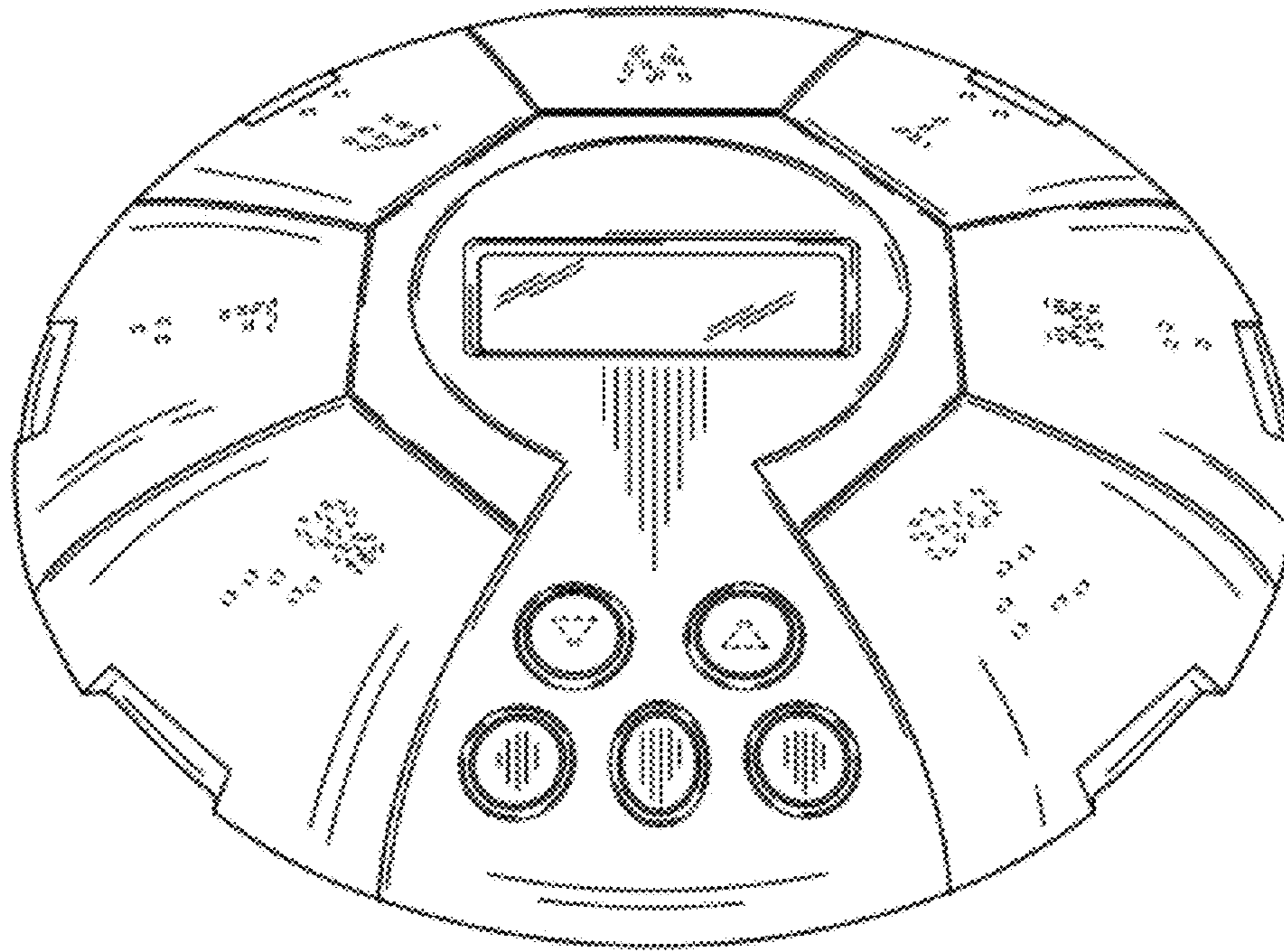


FIG. 1

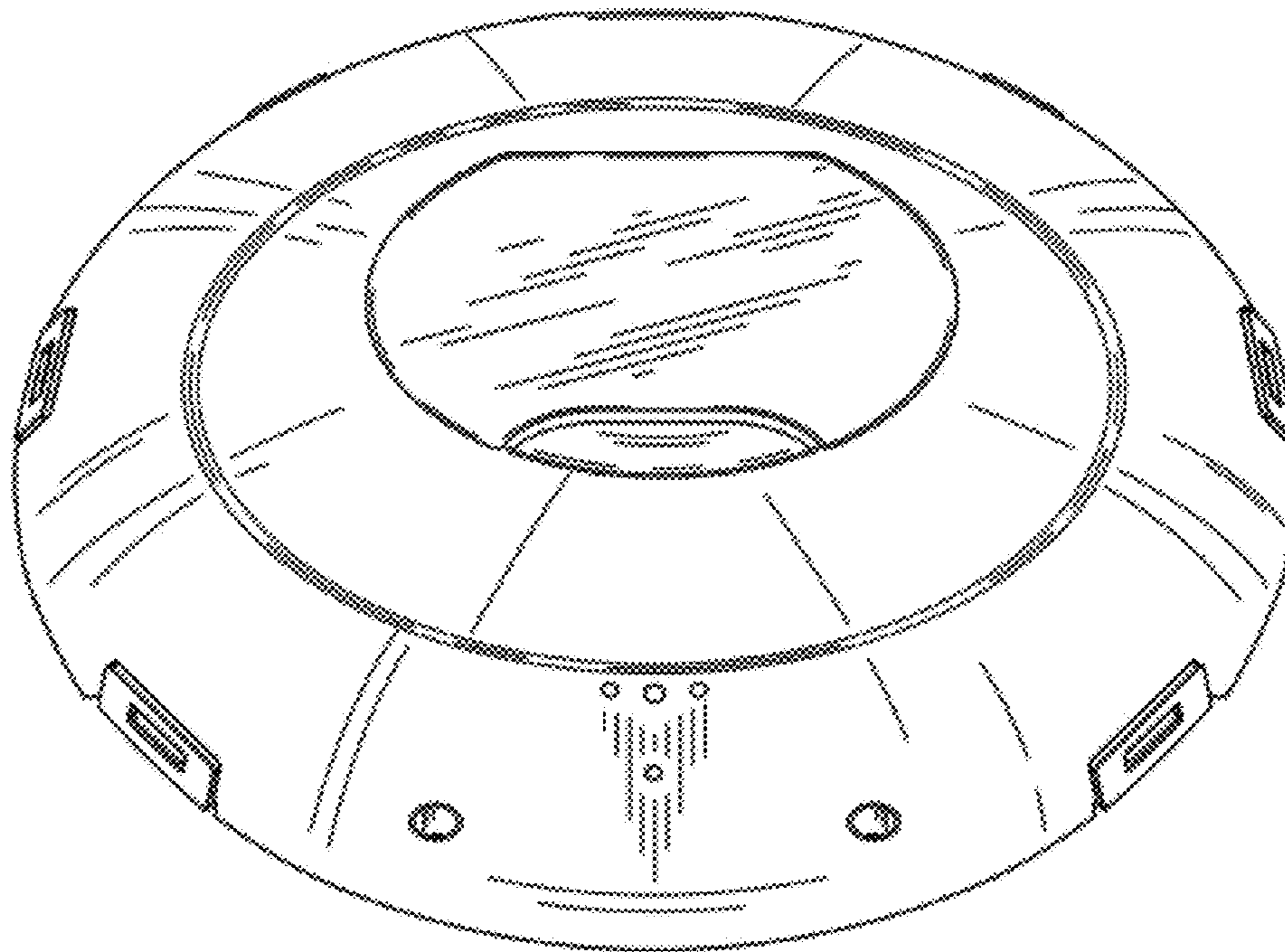


FIG. 2

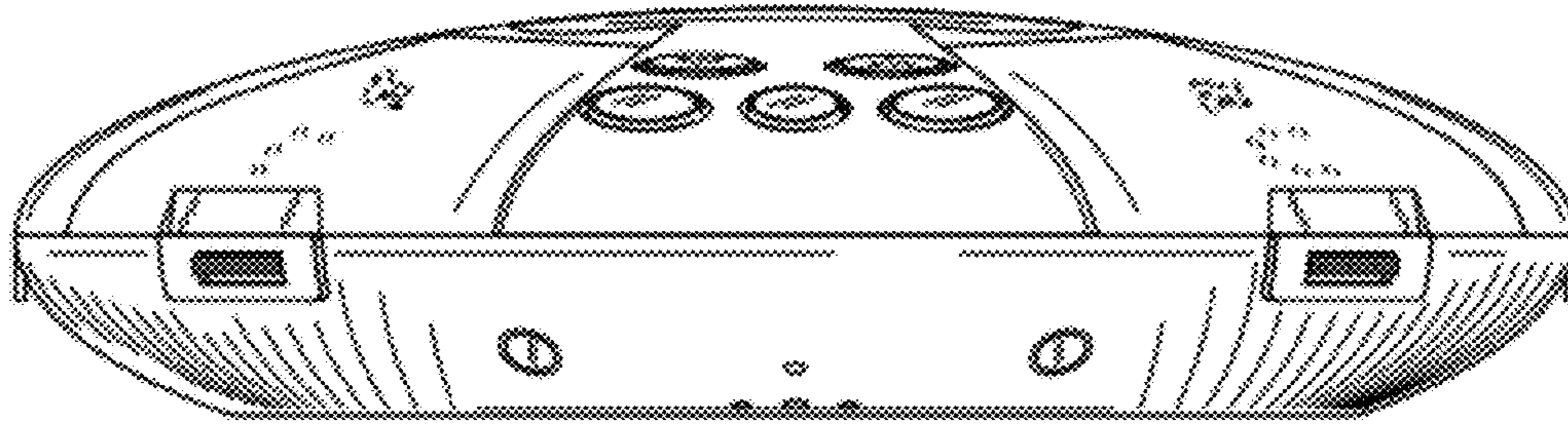


FIG. 3

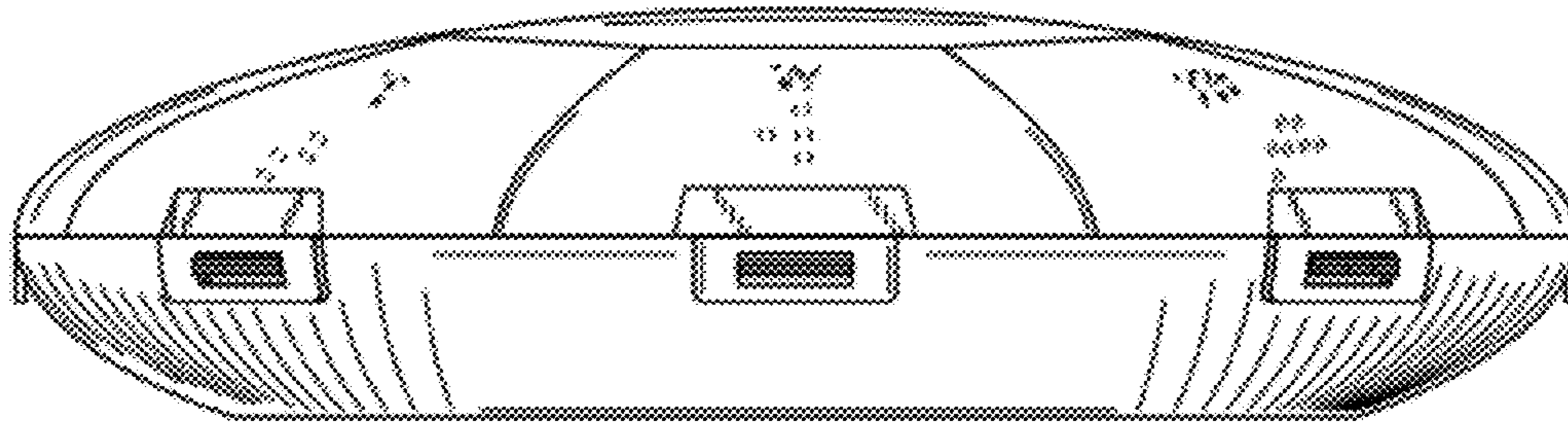


FIG. 4

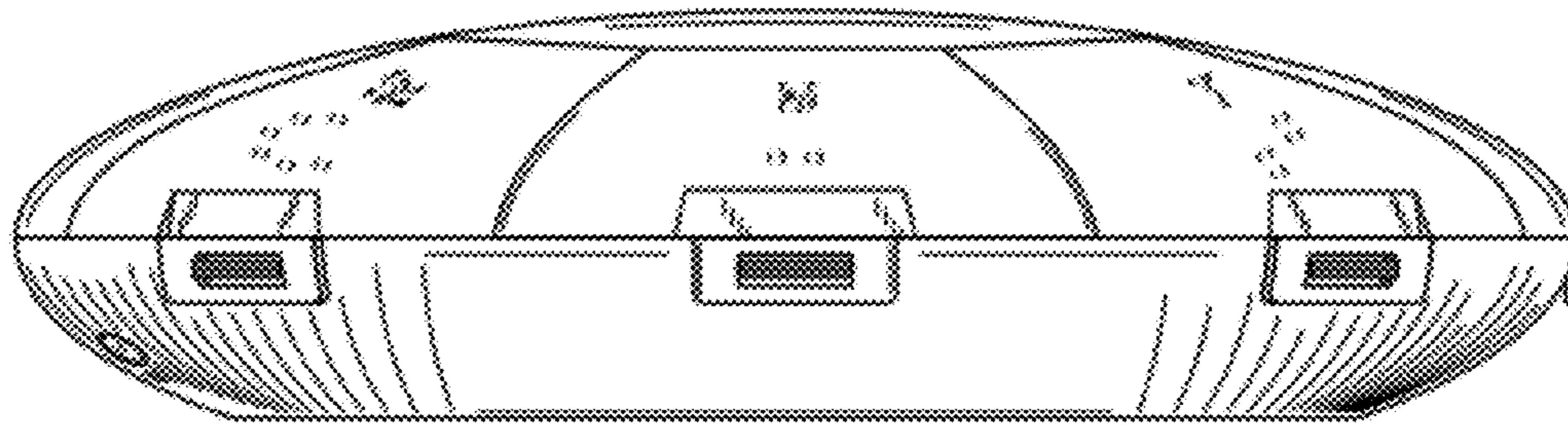


FIG. 5

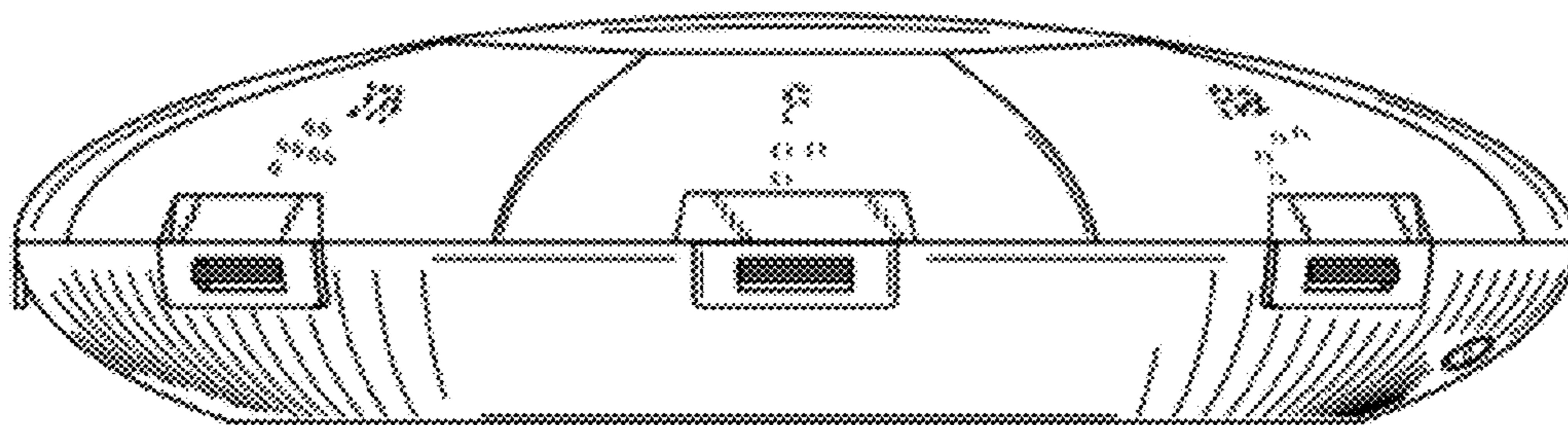


FIG. 6

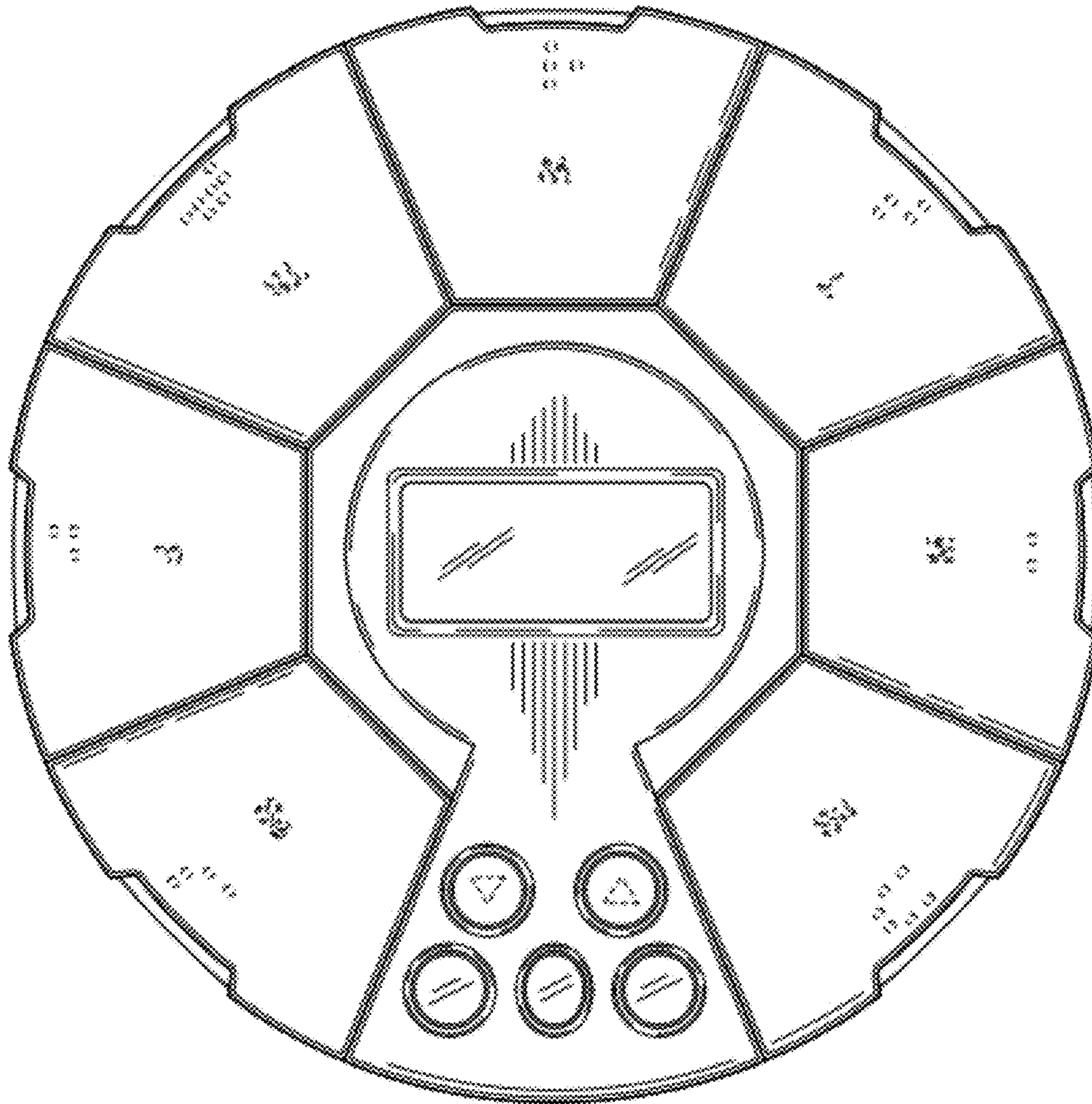


FIG. 7

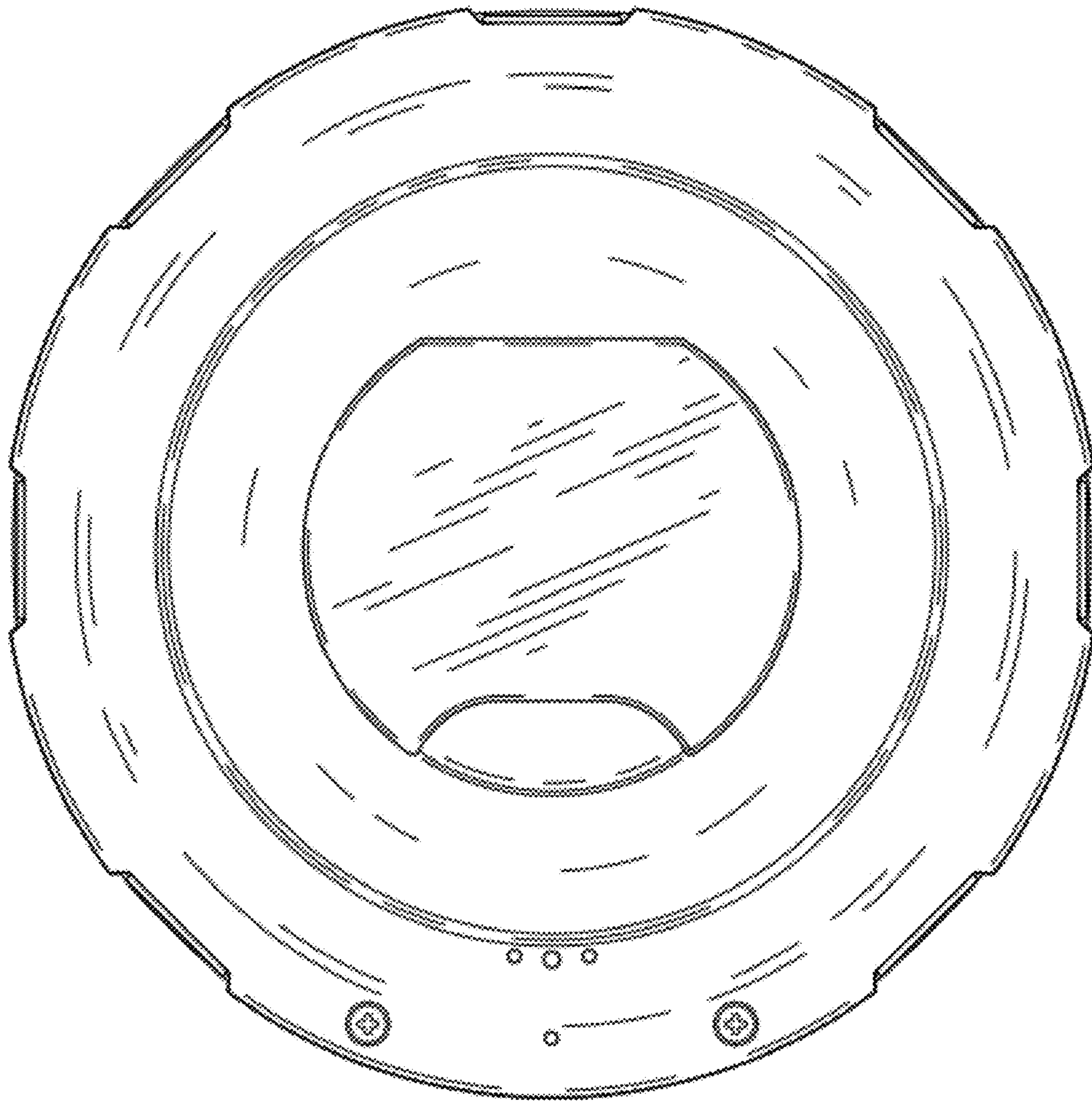


FIG. 8

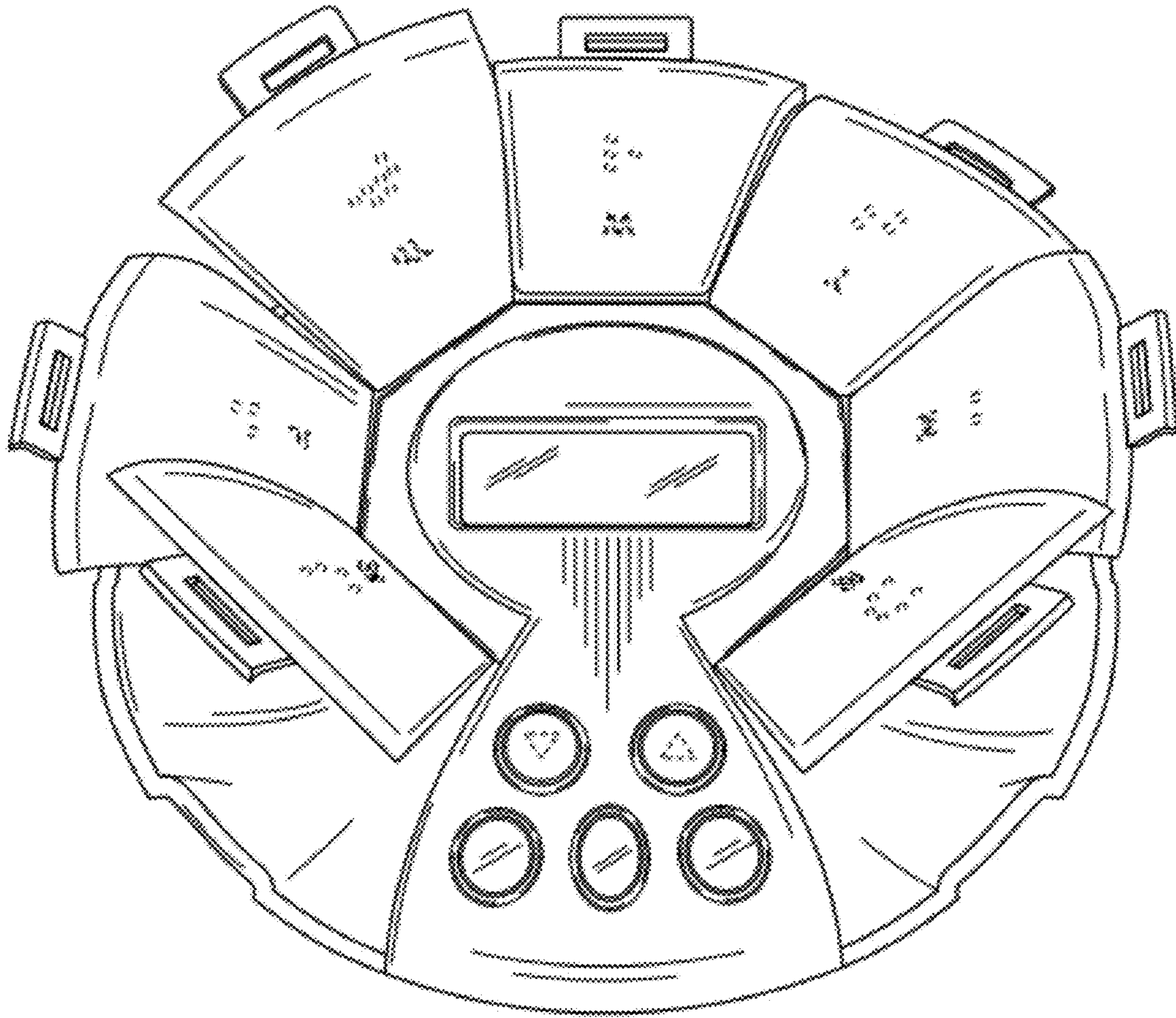


FIG. 9

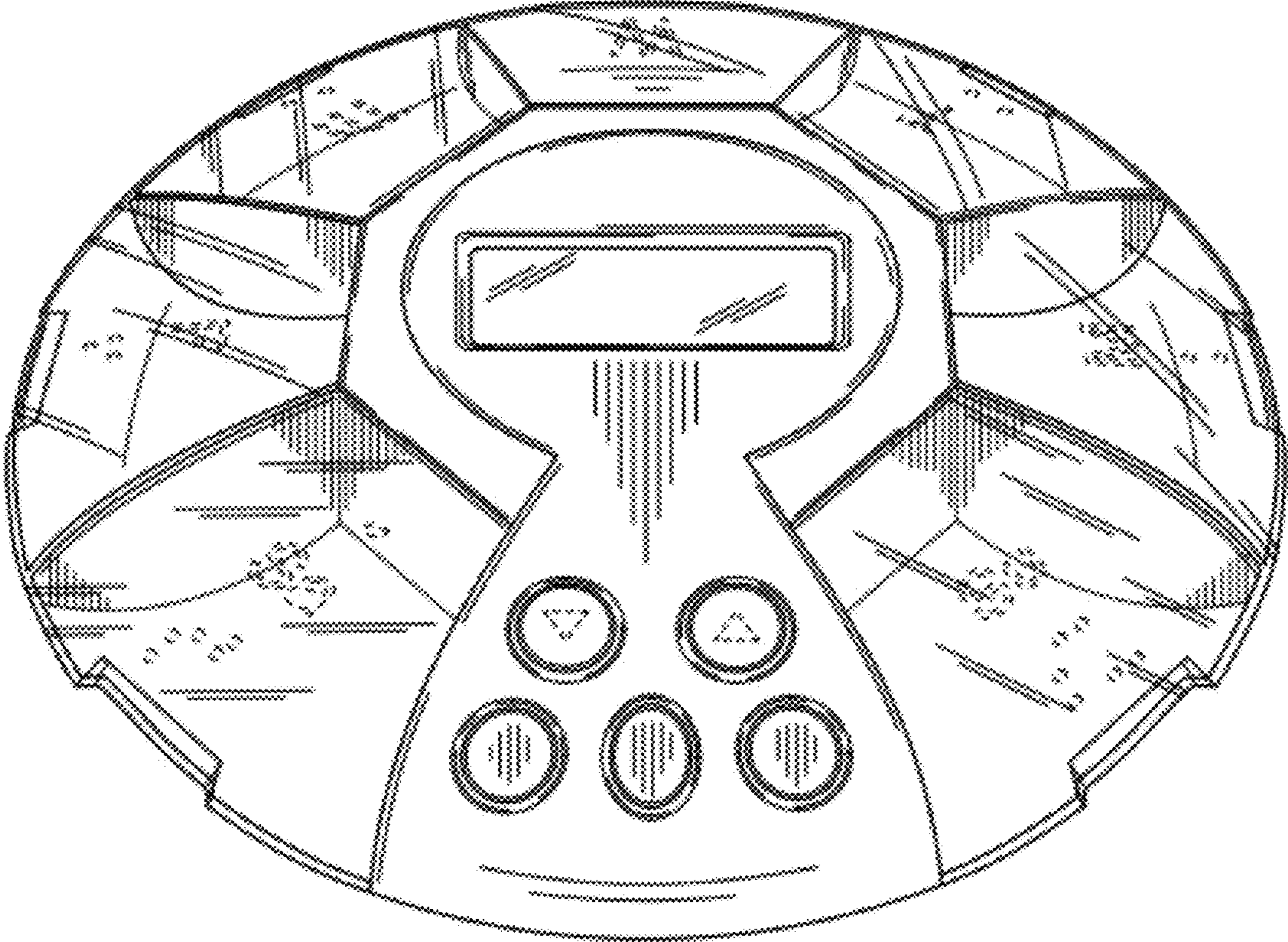


FIG. 10

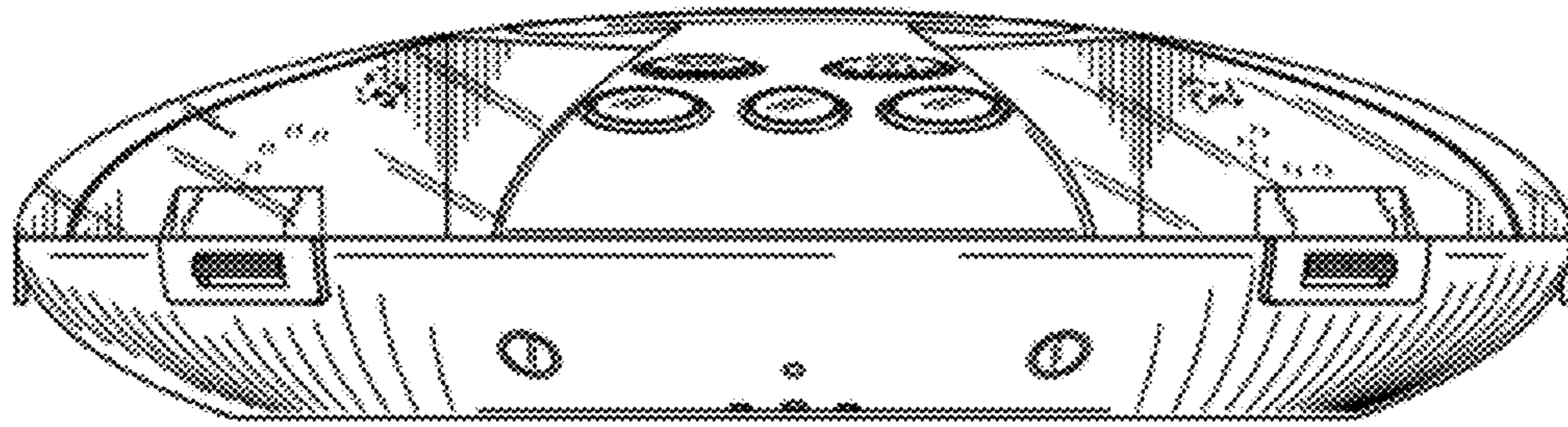


FIG. 11

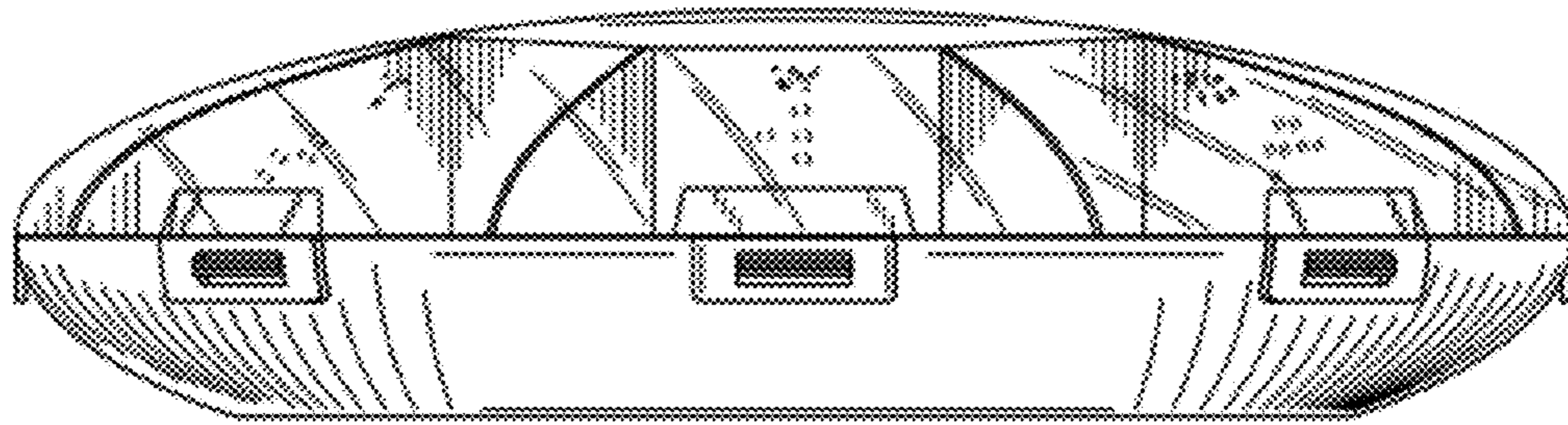


FIG. 12

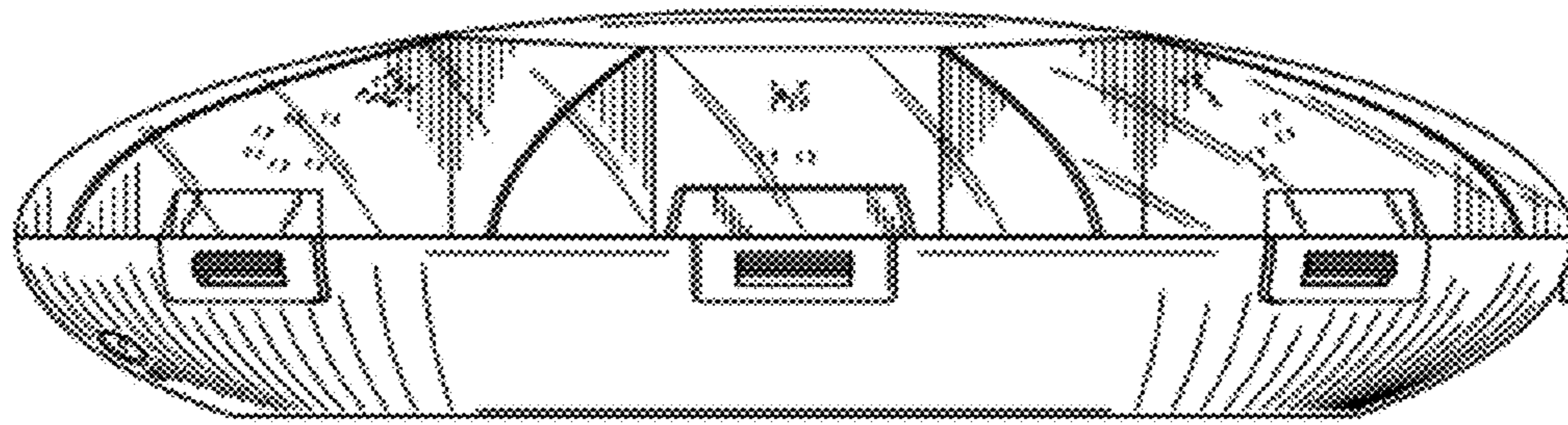


FIG. 13

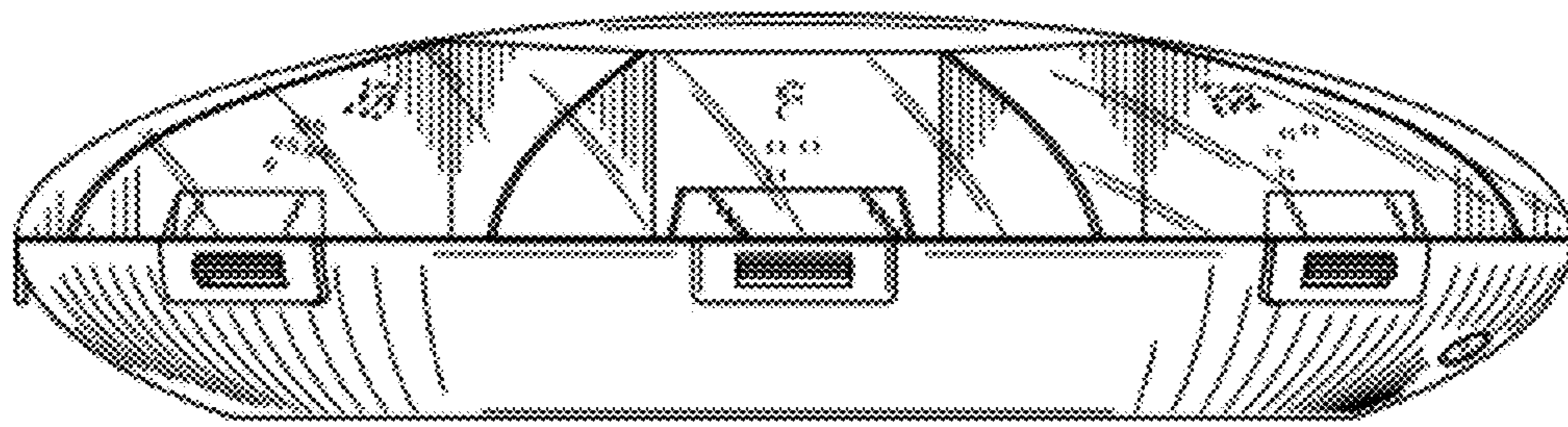


FIG. 14



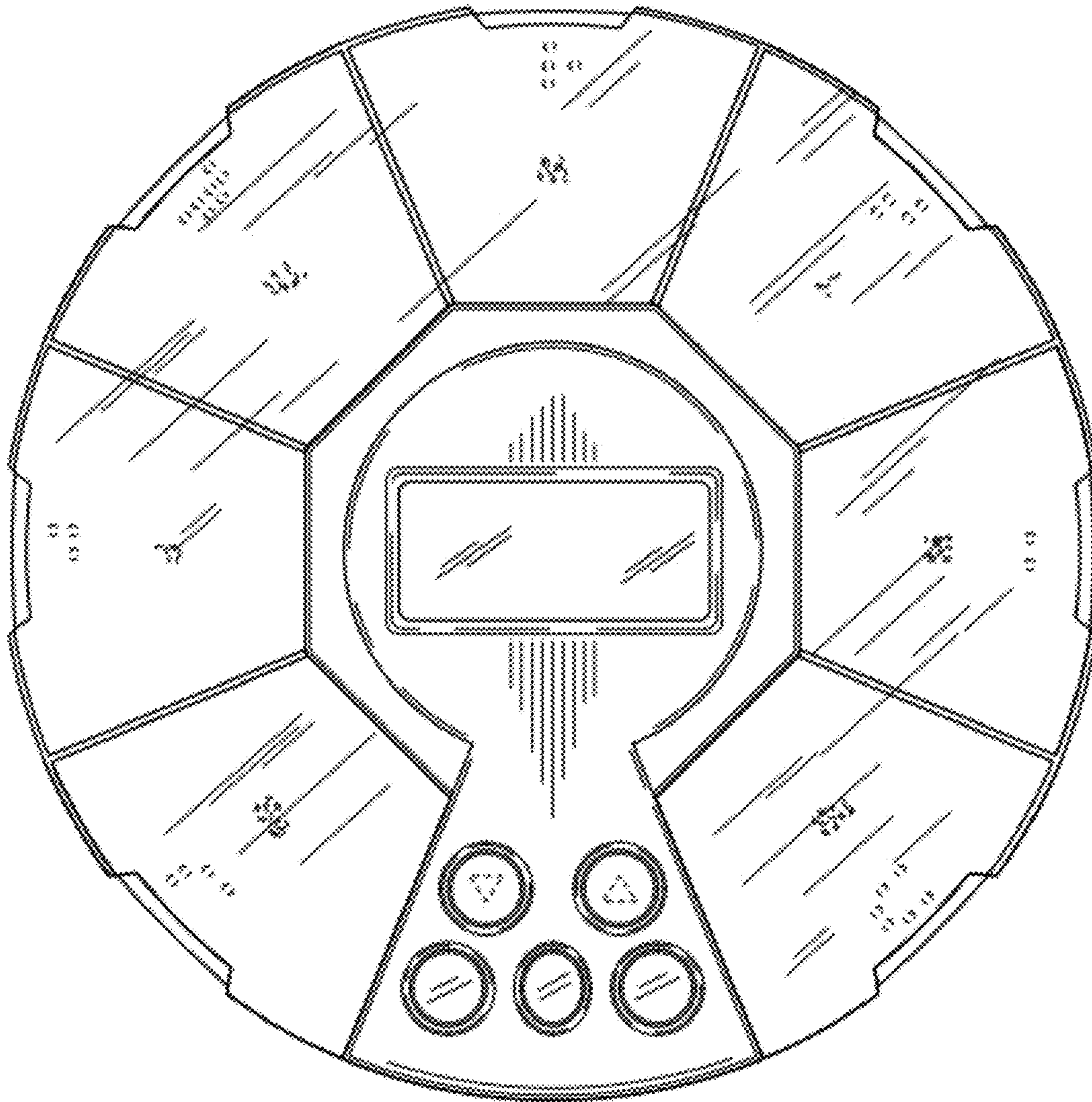


FIG. 15

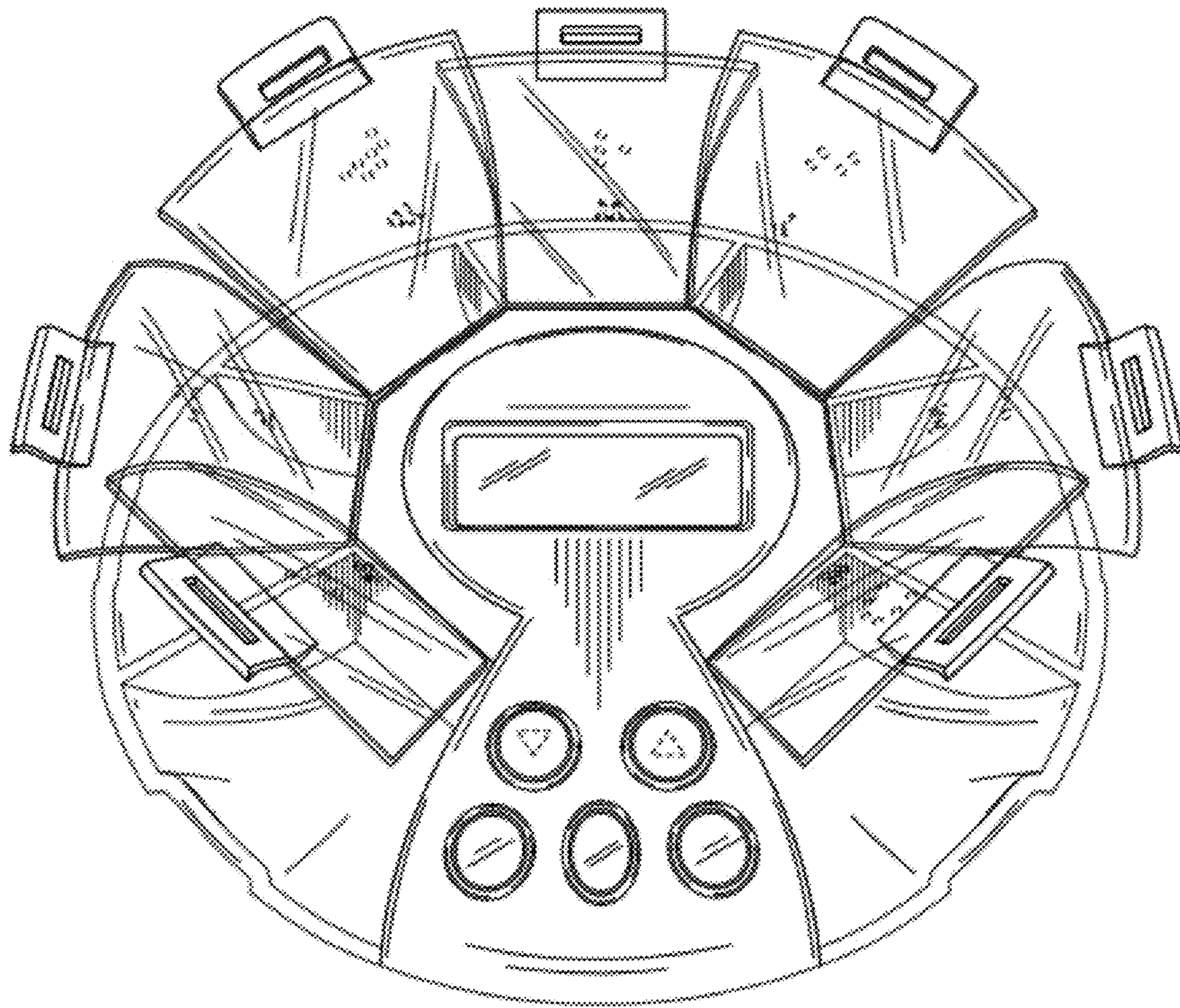


FIG. 16