



US00D663111S

(12) **United States Design Patent**
Paslawski

(10) **Patent No.:** **US D663,111 S**
(45) **Date of Patent:** **** Jul. 10, 2012**

(54) **PILL BOX**

(75) Inventor: **Ray N. Paslawski**, Wildwood, MO (US)

(73) Assignee: **Positive Outcomes, Inc.**, Westwood, MO (US)

(**) Term: **14 Years**

(21) Appl. No.: **29/403,229**

(22) Filed: **Oct. 3, 2011**

(51) **LOC (9) Cl.** **03-01**

(52) **U.S. Cl.** **D3/203.2**

(58) **Field of Classification Search** D3/201–206,
D3/221, 225, 230, 254, 260, 272–273, 282,
D3/292, 295, 904–905; D9/423; D22/199;
206/528–540; 224/239, 241, 674, 684
See application file for complete search history.

(56) **References Cited**

U.S. PATENT DOCUMENTS

D237,611 S * 11/1975 Minneman D3/225
D263,987 S * 4/1982 Milliman D3/225
D284,714 S * 7/1986 Thor D3/225

D370,781 S * 6/1996 Vasudeva D3/284
D550,210 S * 9/2007 Polany et al. D3/273
D562,545 S * 2/2008 Dawson D3/203.1

* cited by examiner

Primary Examiner — Catheri Oliver

(74) *Attorney, Agent, or Firm* — Polster Lieder Woodruff & Lucchesi, L.C.

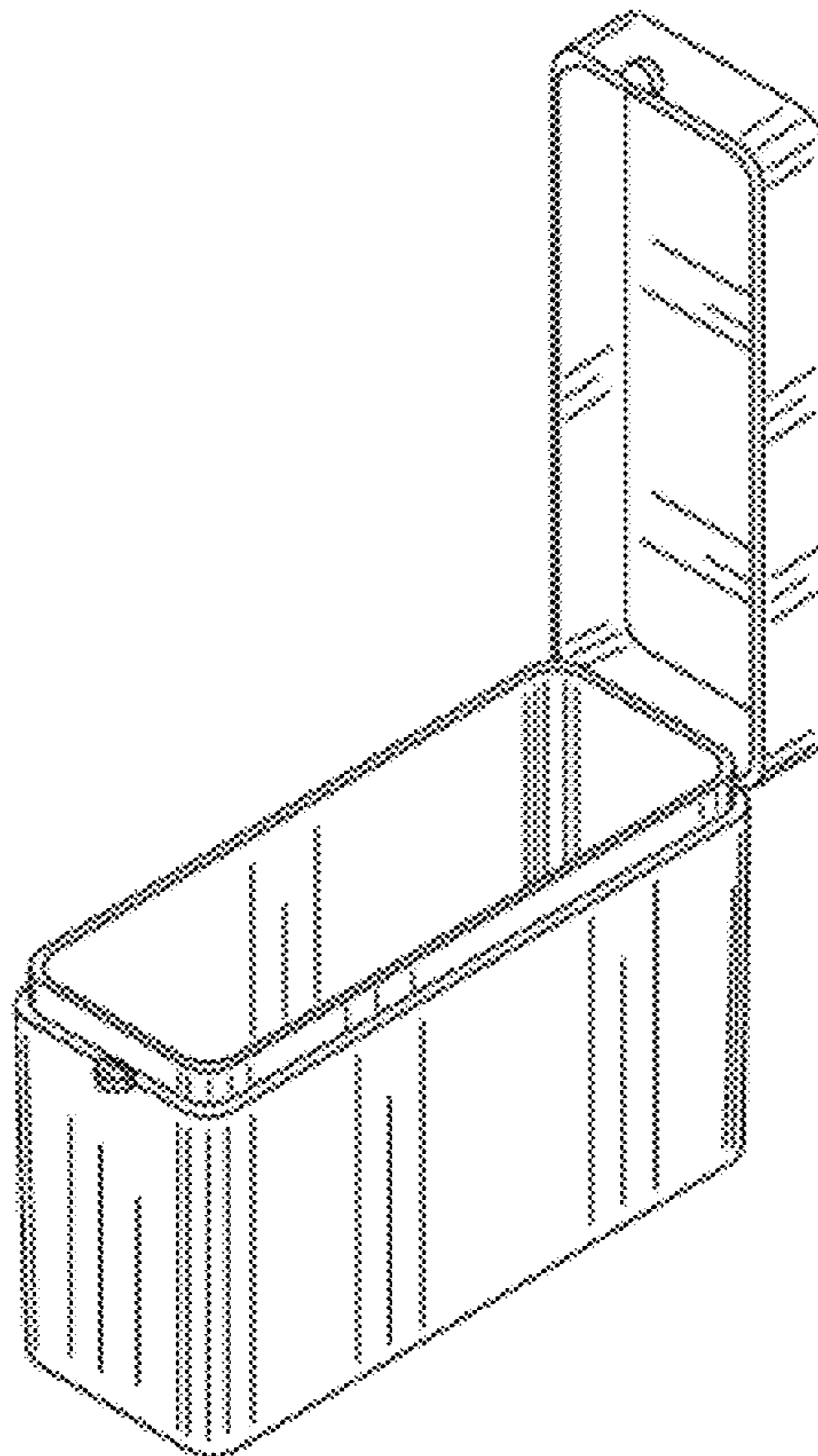
(57) **CLAIM**

The ornamental design for a pill box, as shown and described.

DESCRIPTION

FIG. 1 is a perspective view of a pill box according to an embodiment of the present invention;
FIG. 2 is a top view of a pill box according to an embodiment of the present invention;
FIG. 3 is a bottom view of a pill box according to an embodiment of the present invention;
FIG. 4 is a front view of a pill box according to an embodiment of the present invention;
FIG. 5 is a rear view of a pill box according to an embodiment of the present invention;
FIG. 6 is a right side view of a pill box according to an embodiment of the present invention;
FIG. 7 is a left side view of a pill box according to an embodiment of the present invention; and,
FIG. 8 is a perspective view of a pill box according to an embodiment of the present invention with the lid in the opened position.

1 Claim, 8 Drawing Sheets



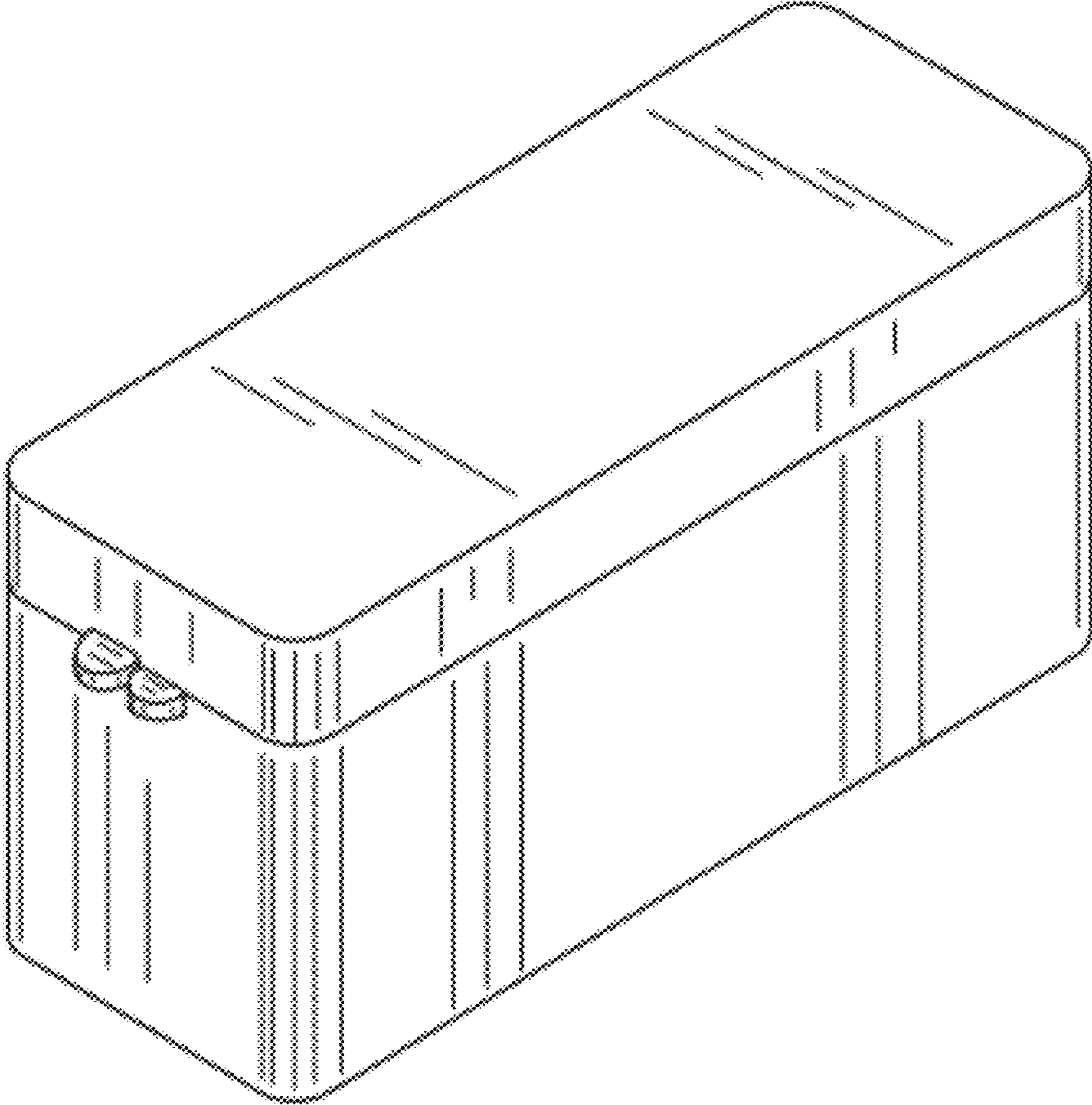


Fig. 1

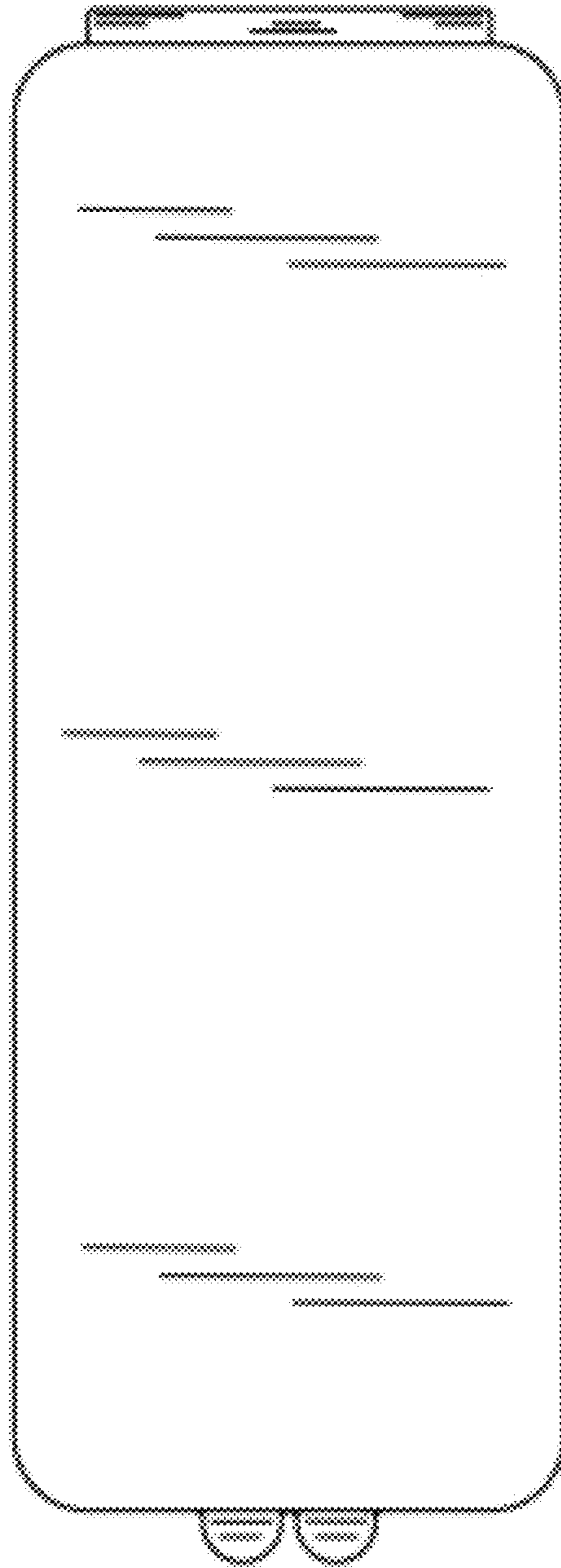


Fig. 2

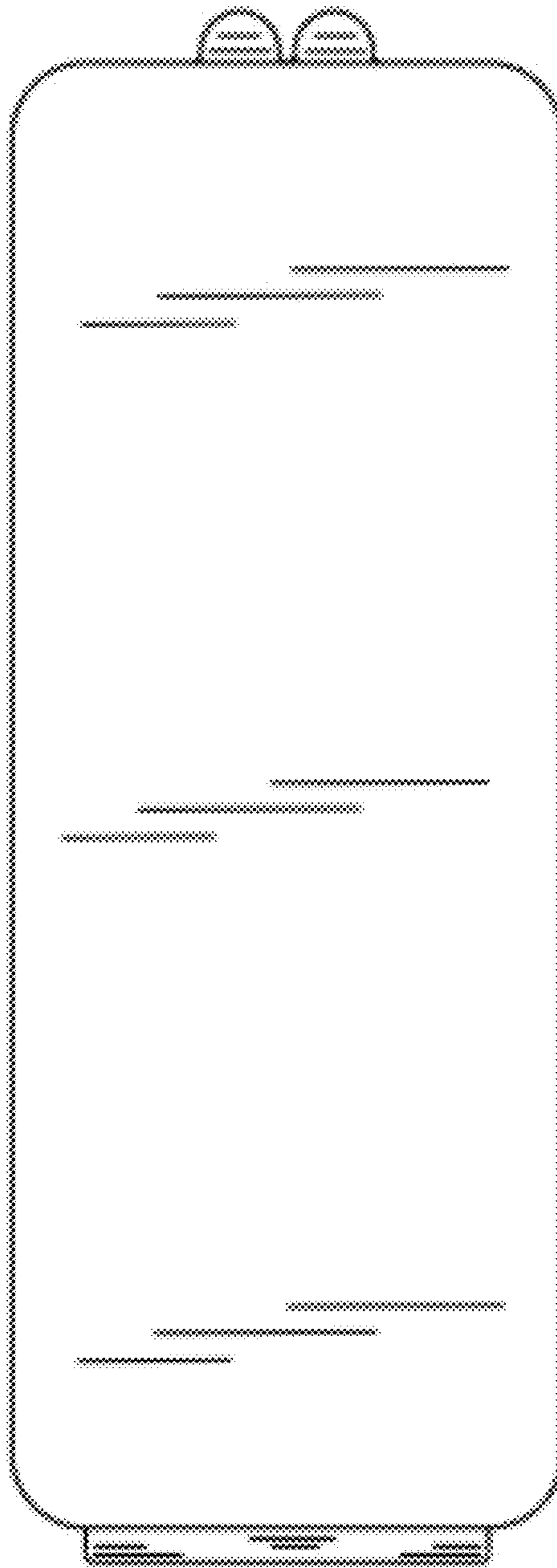


Fig. 3

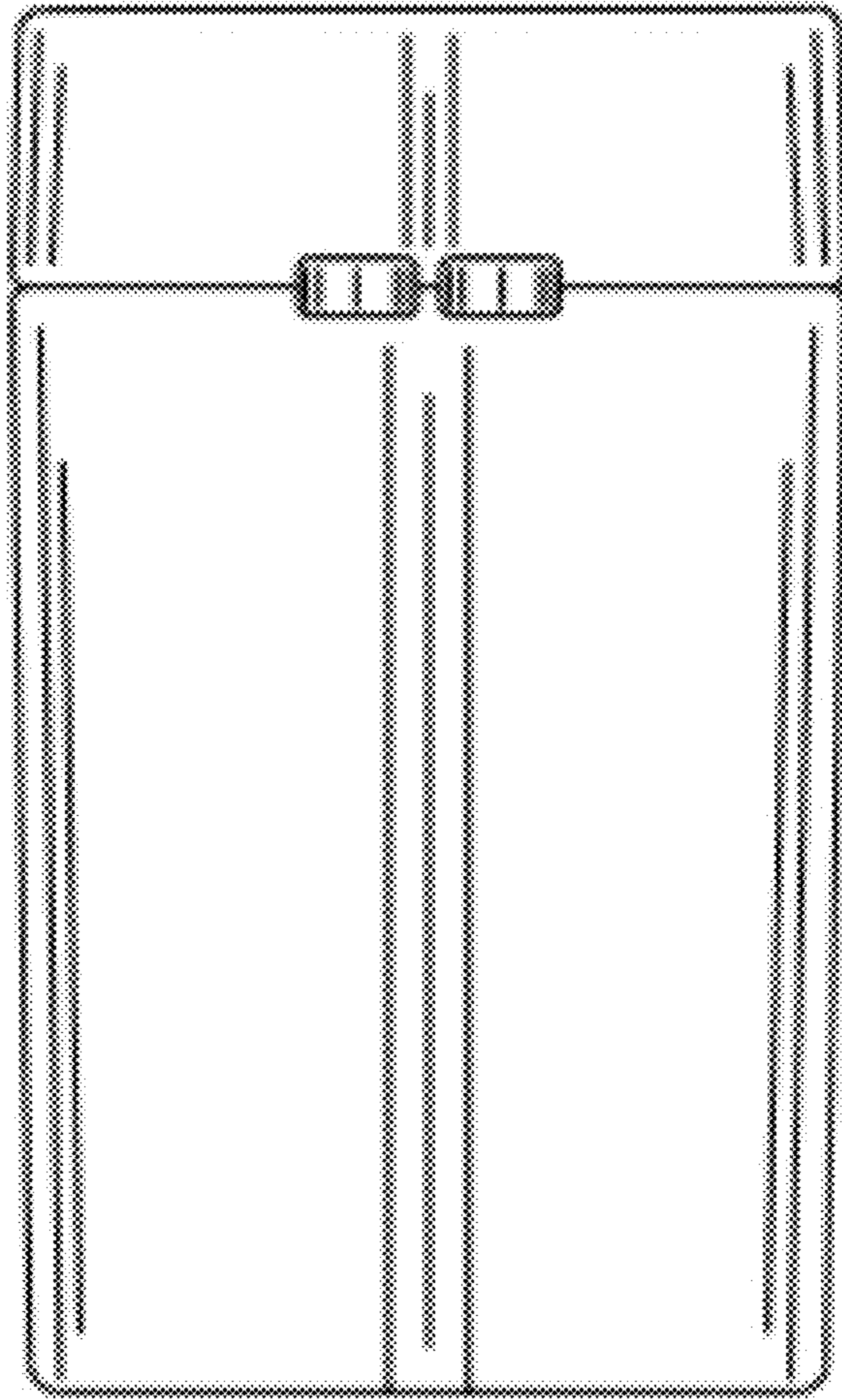


Fig. 4

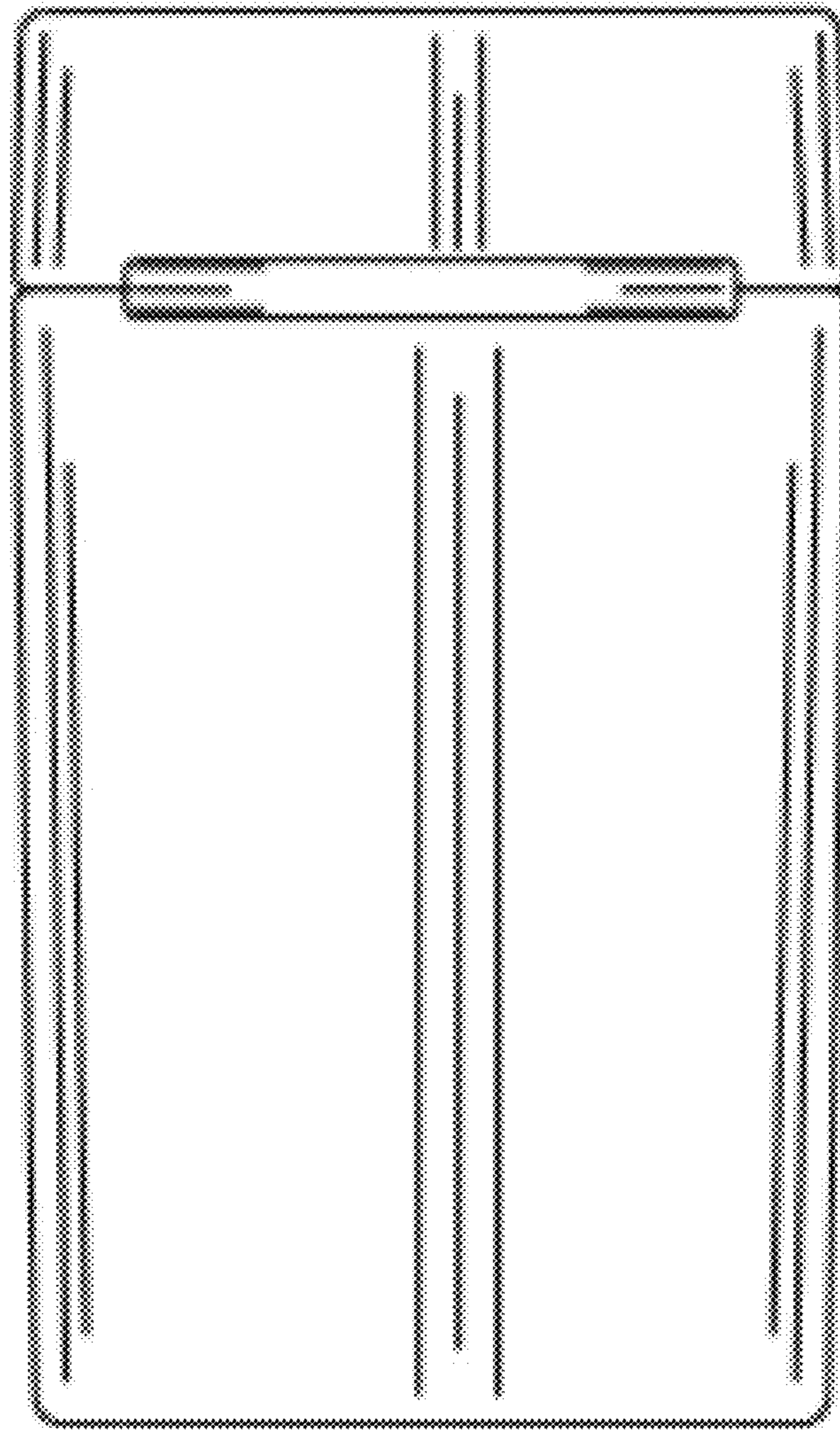


Fig. 5

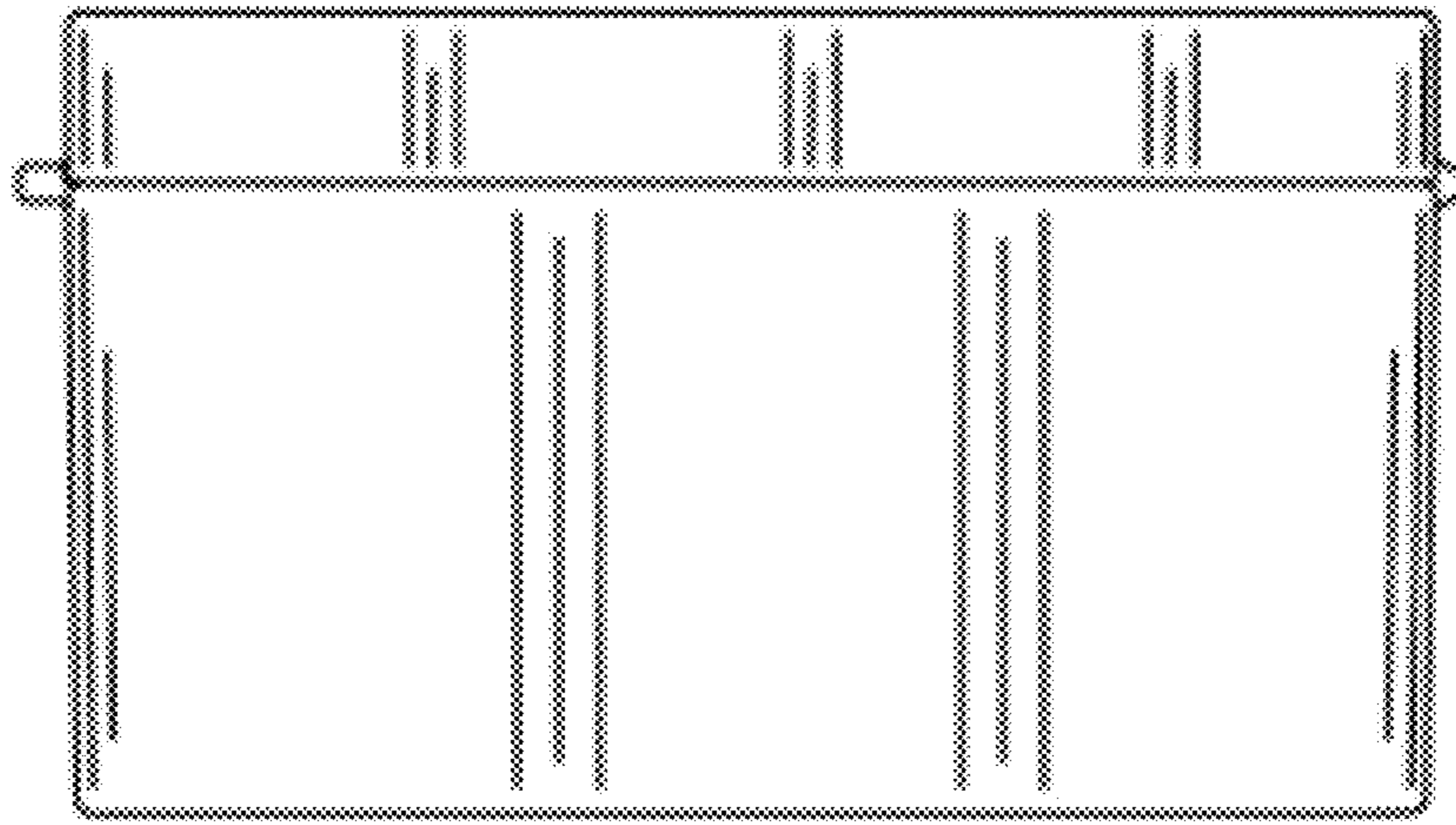


Fig. 6

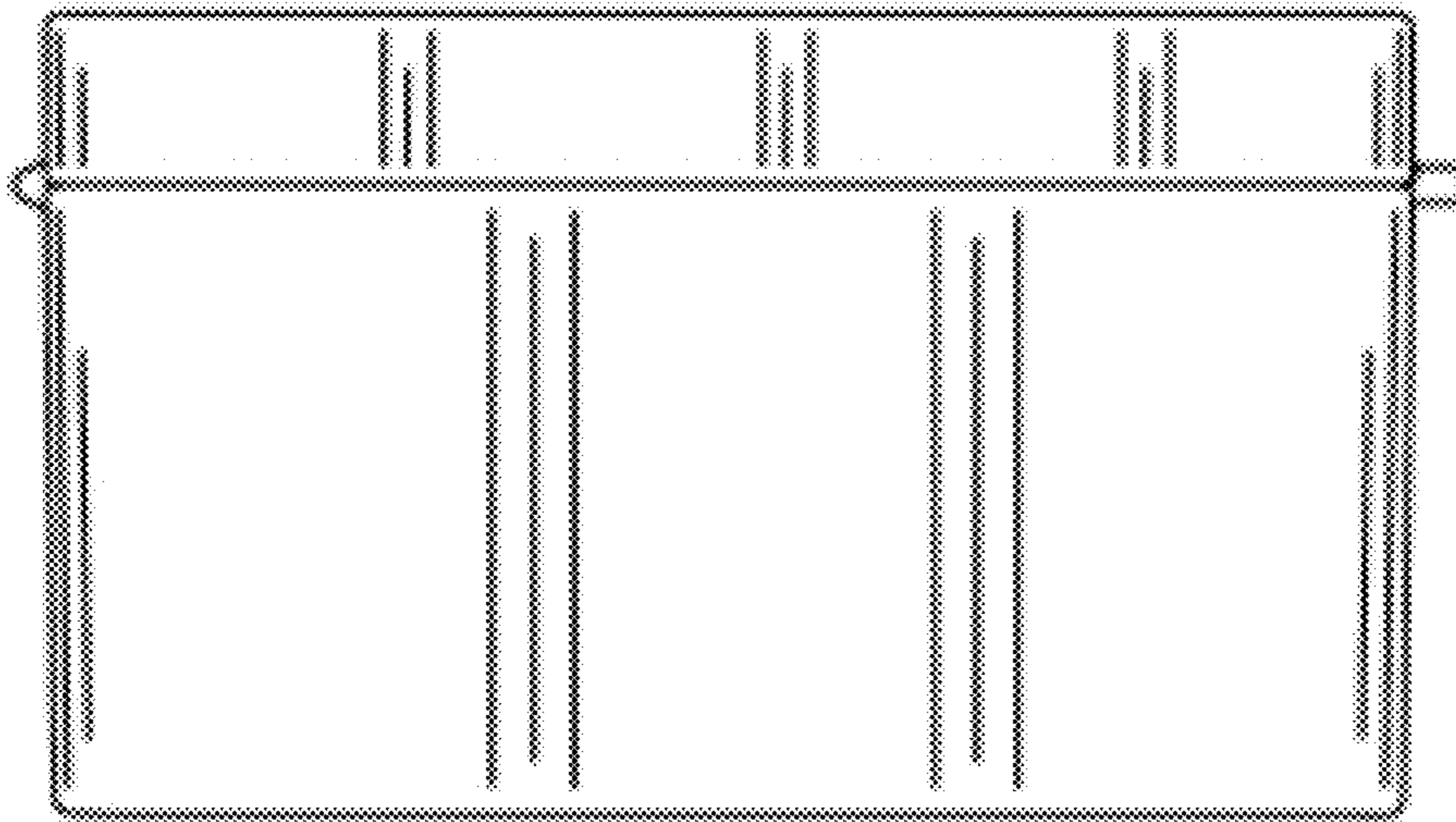


Fig. 7

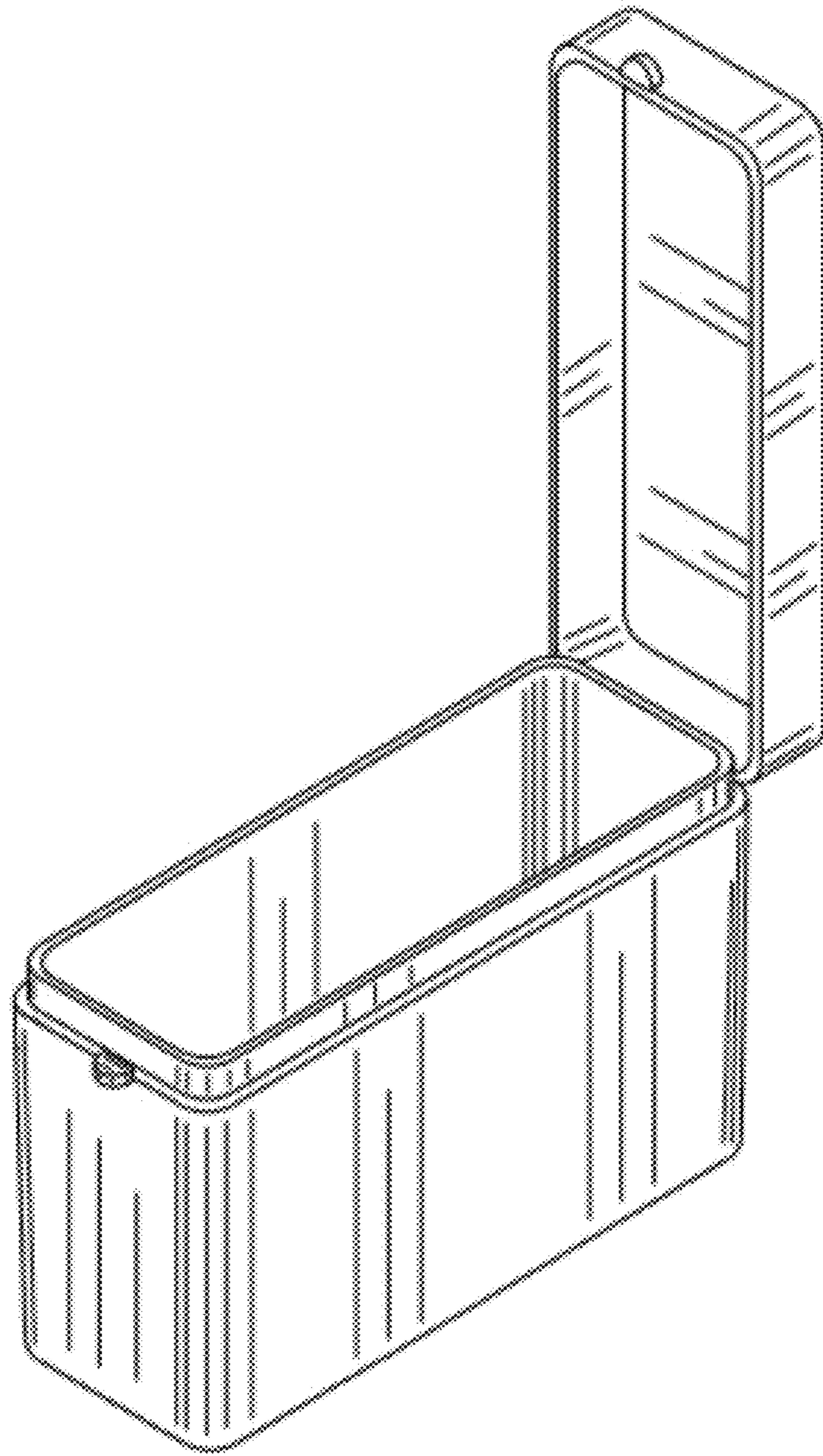


Fig. 8