



US00D663110S

(12) **United States Design Patent**
Marwah et al.

(10) **Patent No.:** **US D663,110 S**
(45) **Date of Patent:** **** Jul. 10, 2012**

(54) **PILL DISPENSER**

(75) Inventors: **Rakesh Singh Marwah**, San Francisco, CA (US); **Anthony Joonkyoo Yun**, Menlo Park, CA (US); **Nicholas Longo, Jr.**, Woodland Hills, CA (US)

(73) Assignee: **Navarie Healthcare, LLC**, Palo Alto, CA (US)

(**) Term: **14 Years**

(21) Appl. No.: **29/400,578**

(22) Filed: **Aug. 30, 2011**

(51) **LOC (9) Cl.** **03-01**

(52) **U.S. Cl.** **D3/203.2**

(58) **Field of Classification Search** D3/201–205, D3/265, 272–274, 282–283, 294; 206/5, 206/5.1, 6, 528–540; D9/414, 423–424, D9/432

See application file for complete search history.

(56) **References Cited**

U.S. PATENT DOCUMENTS

1,427,947 A * 9/1922 Flitton 206/5
3,343,658 A * 9/1967 Renwick 206/6

D460,690 S * 7/2002 Doerschlag D9/423
D538,031 S * 3/2007 Costa et al. D3/203.1
D588,908 S * 3/2009 Silvenis et al. D9/424
D640,920 S * 7/2011 Giraud et al. D9/414

* cited by examiner

Primary Examiner — Catheri Oliver

(74) *Attorney, Agent, or Firm* — The Eclipse Group LLP

(57) **CLAIM**

We claim the ornamental design for a pill dispenser, as shown and described.

DESCRIPTION

FIG. 1 is a front perspective view of the pill dispenser of the present invention.

FIG. 2 is an elevation view of the left side of the pill dispenser.

FIG. 3 is an elevation view of the right side of the pill dispenser.

FIG. 4 is a plan view of the top of the pill dispenser.

FIG. 5 is an elevation view of the front of the pill dispenser.

FIG. 6 is a plan view of the bottom of the pill dispenser; and,

FIG. 7 is an elevation view of the rear of the pill dispenser.

The dashed lines in various figures represent portion of the pill dispenser but form no part of the claimed design.

1 Claim, 3 Drawing Sheets

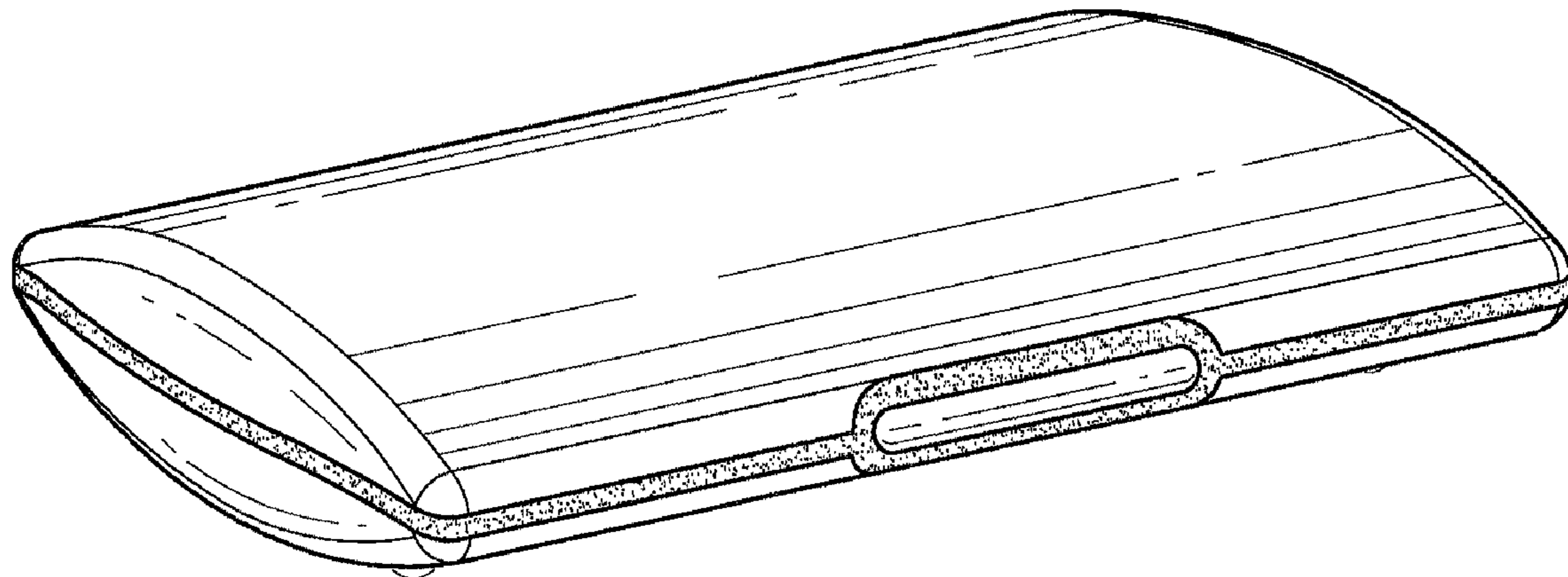


FIG. 1

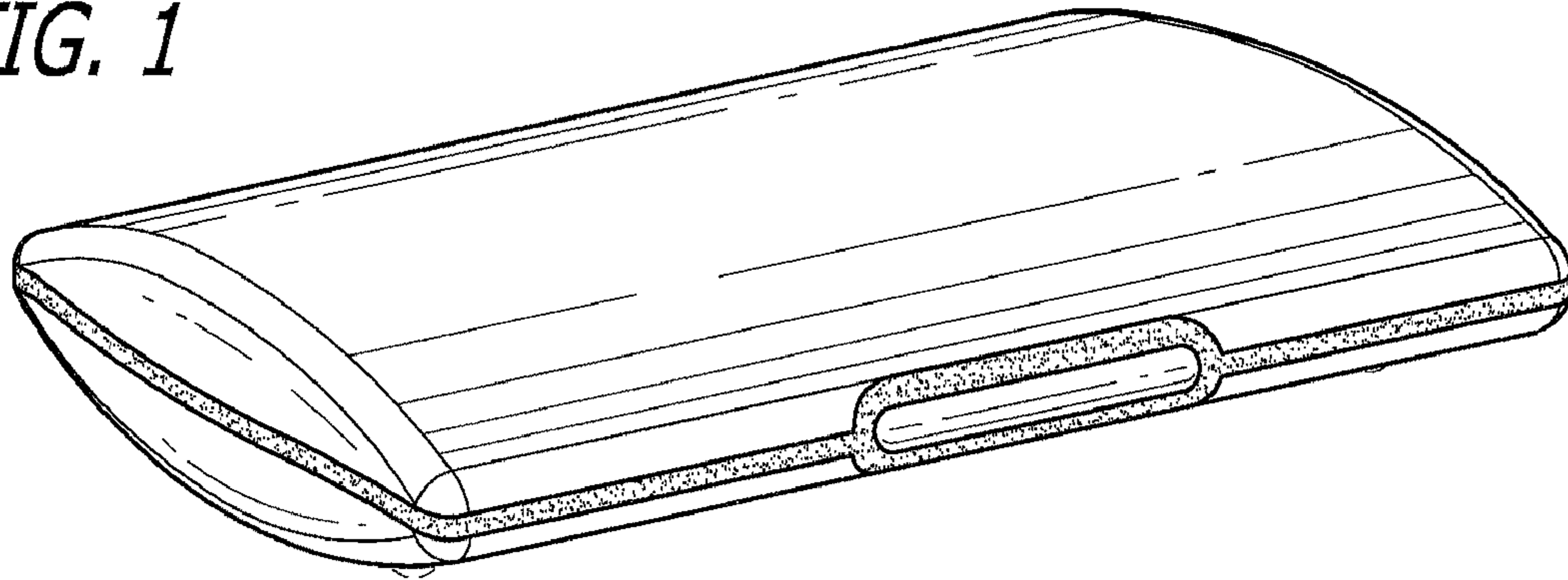


FIG. 2

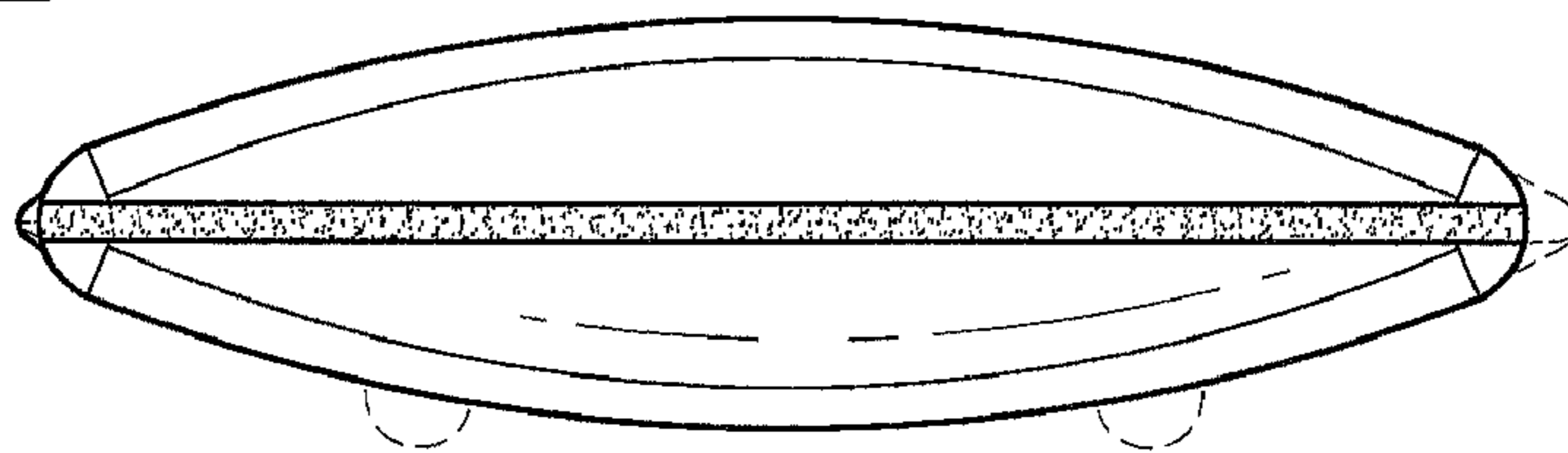


FIG. 3

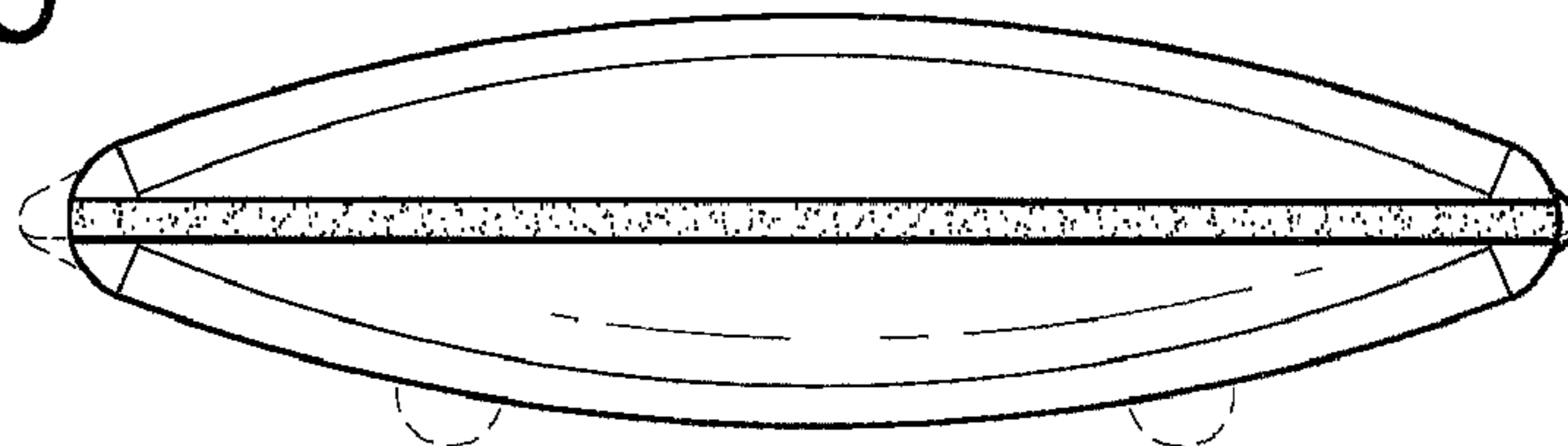


FIG. 4

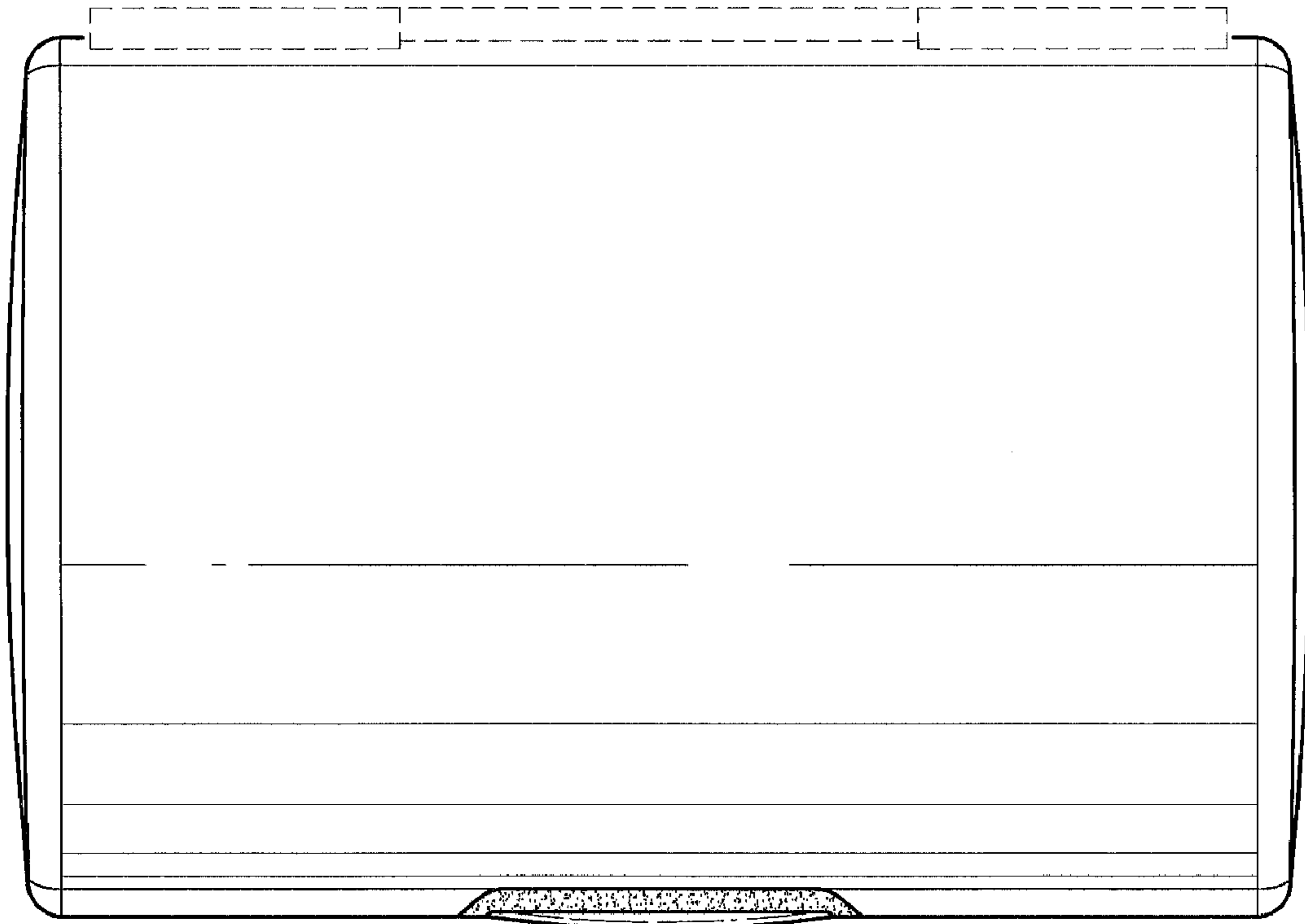


FIG. 5

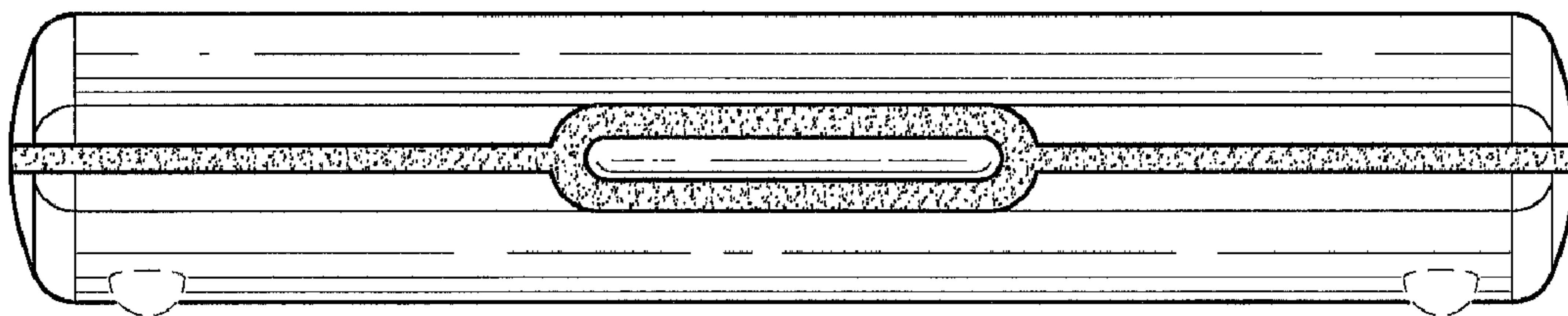


FIG. 6

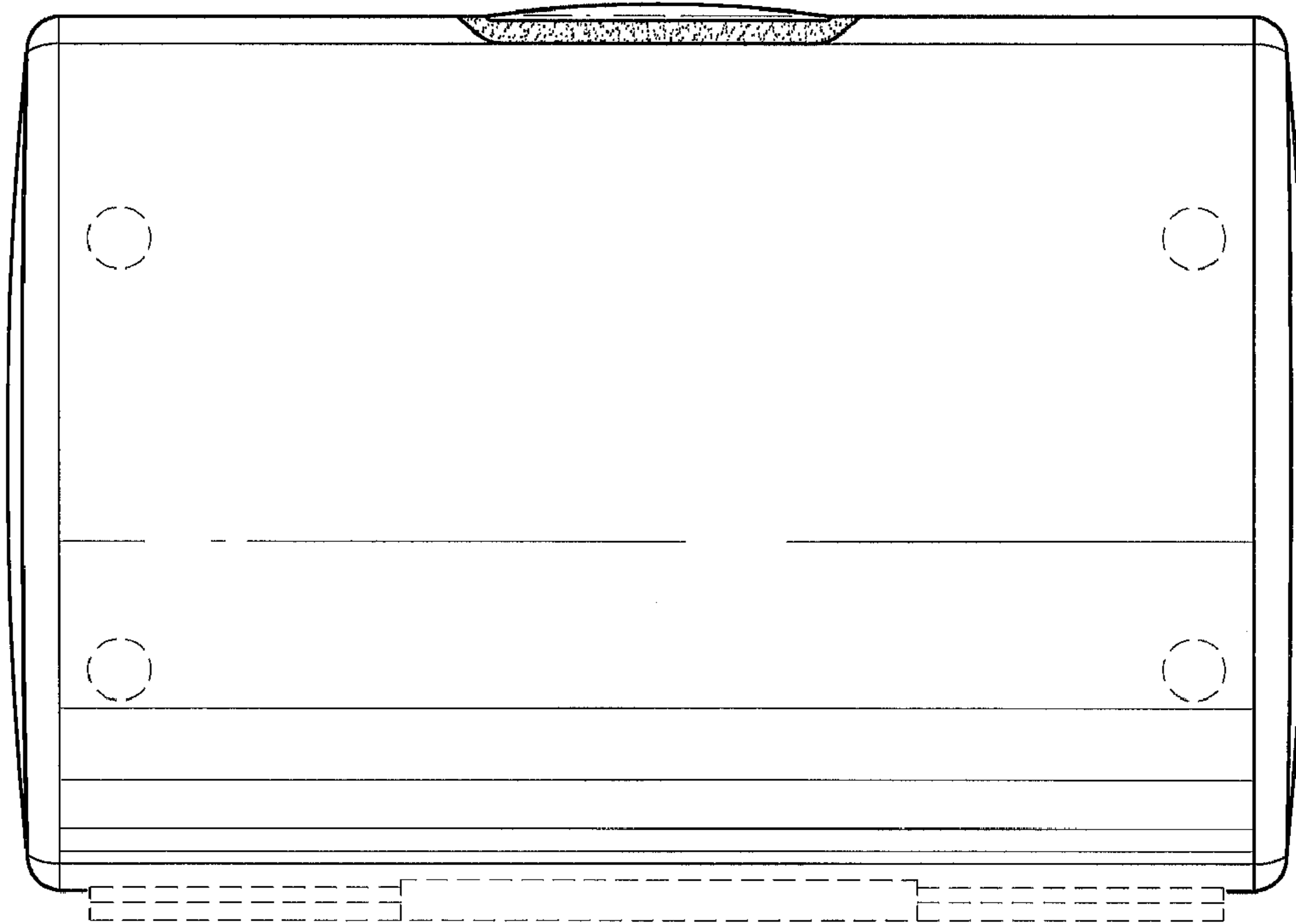


FIG. 7

