



US00D663101S

(12) **United States Design Patent**
Best et al.

(10) **Patent No.:** **US D663,101 S**
(45) **Date of Patent:** **** Jul. 10, 2012**

(54) **COMPRESSION UNDERGARMENT**

(75) Inventors: **Bill Best**, Orono, MN (US); **Bastien Jourde**, Montreal (CA)

(73) Assignee: **Shock Doctor, Inc.**, Plymouth, MN (US)

(**) Term: **14 Years**

(21) Appl. No.: **29/394,784**

(22) Filed: **Jun. 21, 2011**

(51) **LOC (9) Cl.** **02-02**

(52) **U.S. Cl.** **D2/717**

(58) **Field of Classification Search** D2/700,
D2/717, 731, 749, 750, 840; 2/455, 90, 92,
2/113, 115; D29/100

See application file for complete search history.

(56) **References Cited**

U.S. PATENT DOCUMENTS

4,356,569	A	*	11/1982	Sullivan	2/2.5
D293,495	S	*	12/1987	Berryman et al.	D29/101.3
D298,474	S	*	11/1988	Twede	D29/100
D559,466	S	*	1/2008	Crossman et al.	D29/100
D579,629	S	*	11/2008	Rance et al.	D2/731
D619,783	S	*	7/2010	Jones et al.	D2/717
D627,135	S	*	11/2010	Turner	D2/717
D628,770	S	*	12/2010	Kanada et al.	D2/717
D630,819	S	*	1/2011	Axler	D2/717
D654,660	S	*	2/2012	Jones et al.	D2/717
2007/0010771	A1		1/2007	Leatt		
2007/0199129	A1		8/2007	Davis		
2008/0313793	A1		12/2008	Skottheim et al.		

(Continued)

FOREIGN PATENT DOCUMENTS

GB 2418832 A 4/2006

(Continued)

OTHER PUBLICATIONS

Softball Fans. <http://www.softballfans.com/shop/Easton-Youth-Torso-Tection-Shirt.html>. Copyright 2012. "Easton Youth Torso Tection Shirt".*

(Continued)

Primary Examiner — Rashida Johnson

(74) *Attorney, Agent, or Firm* — Faegre Baker Daniels LLP

(57) **CLAIM**

The ornamental design for a compression undergarment, as shown and described.

DESCRIPTION

FIG. 1 is a perspective view of a first embodiment of a compression undergarment.

FIG. 2 is a front view of a first embodiment of a compression undergarment.

FIG. 3 is a back view of a first embodiment of a compression undergarment.

FIG. 4 is a first side view of a first embodiment of a compression undergarment, the second opposing side being a mirror image thereof.

FIG. 5 is a top view of a first embodiment of a compression undergarment.

FIG. 6 is a perspective view of a second embodiment of a compression undergarment.

FIG. 7 is a front view of a second embodiment of a compression undergarment.

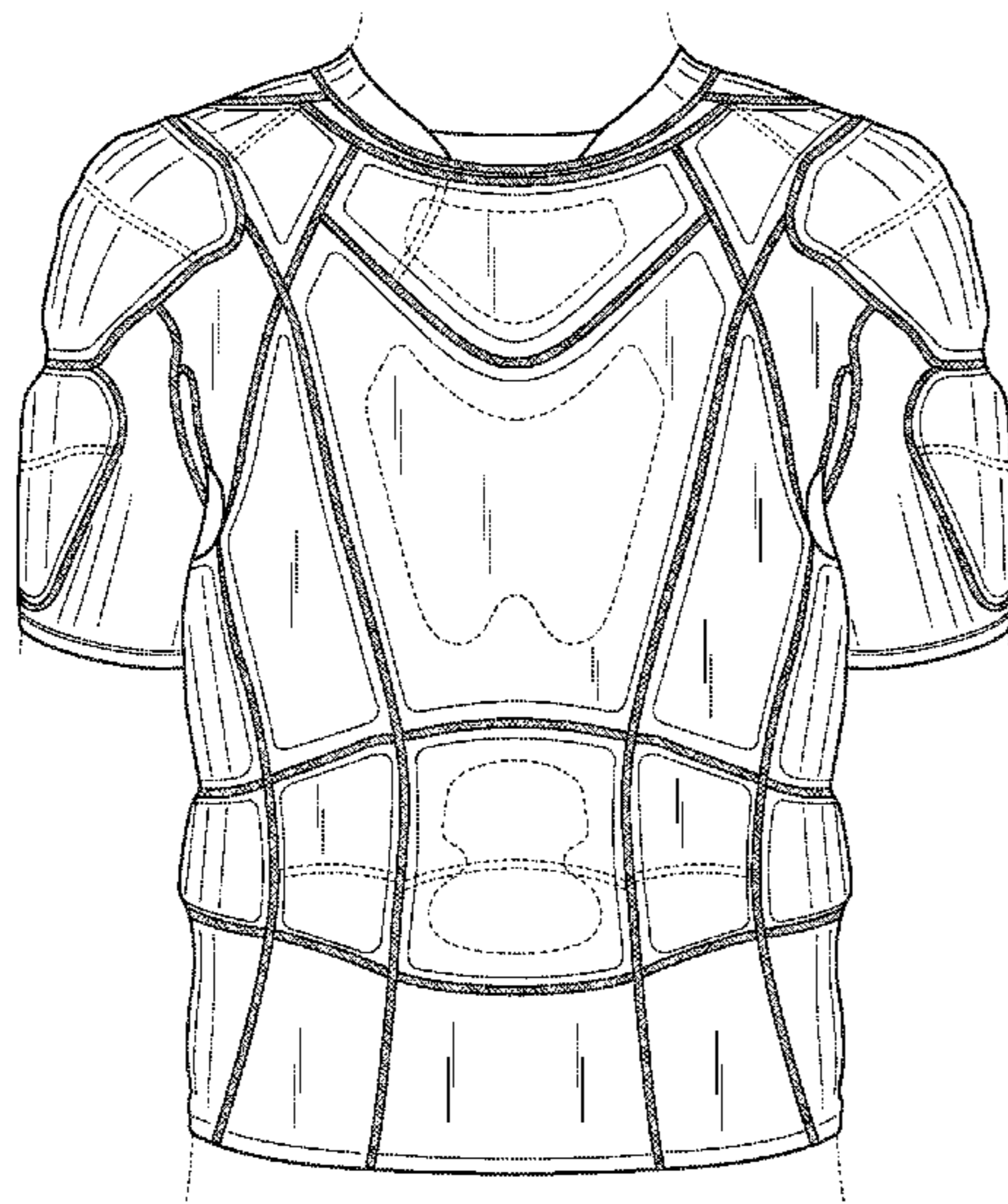
FIG. 8 is a back view of a second embodiment of a compression undergarment.

FIG. 9 is a first side view of a second embodiment of a compression undergarment, the second opposing side being a mirror image thereof; and,

FIG. 10 is a top view of a second embodiment of a compression undergarment.

The broken lines in the Figures do not form a part of the claimed design.

1 Claim, 10 Drawing Sheets



US D663,101 S

Page 2

U.S. PATENT DOCUMENTS

2010/0037374 A1* 2/2010 Crelinsten et al. 2/455
2011/0247130 A1* 10/2011 Lewandowski 2/459
2011/0252549 A1* 10/2011 Jourde et al. 2/463

FOREIGN PATENT DOCUMENTS

WO WO9003126 A1 4/1990
WO W02011034942 A1 3/2011

OTHER PUBLICATIONS

cart.sinchloe.info. <http://cart.sinchloe.info/rbk-5301-speedwick-short-sleeve-compression-shirt.php>. Copyright 2012. "RBK 5301 Speedwick Short Sleeve Compression Shirt".*
FighterXFashion. <http://fighterxfashion.com/ufc-aim-compression-gear/>. Date Unknown: Viewed Mar. 2012. UFC Aim Compression Shirt.*
International Search Report and Written Opinion issued in PCT/US2011/023022, dated Jun. 9, 2011, 12 pages.

* cited by examiner

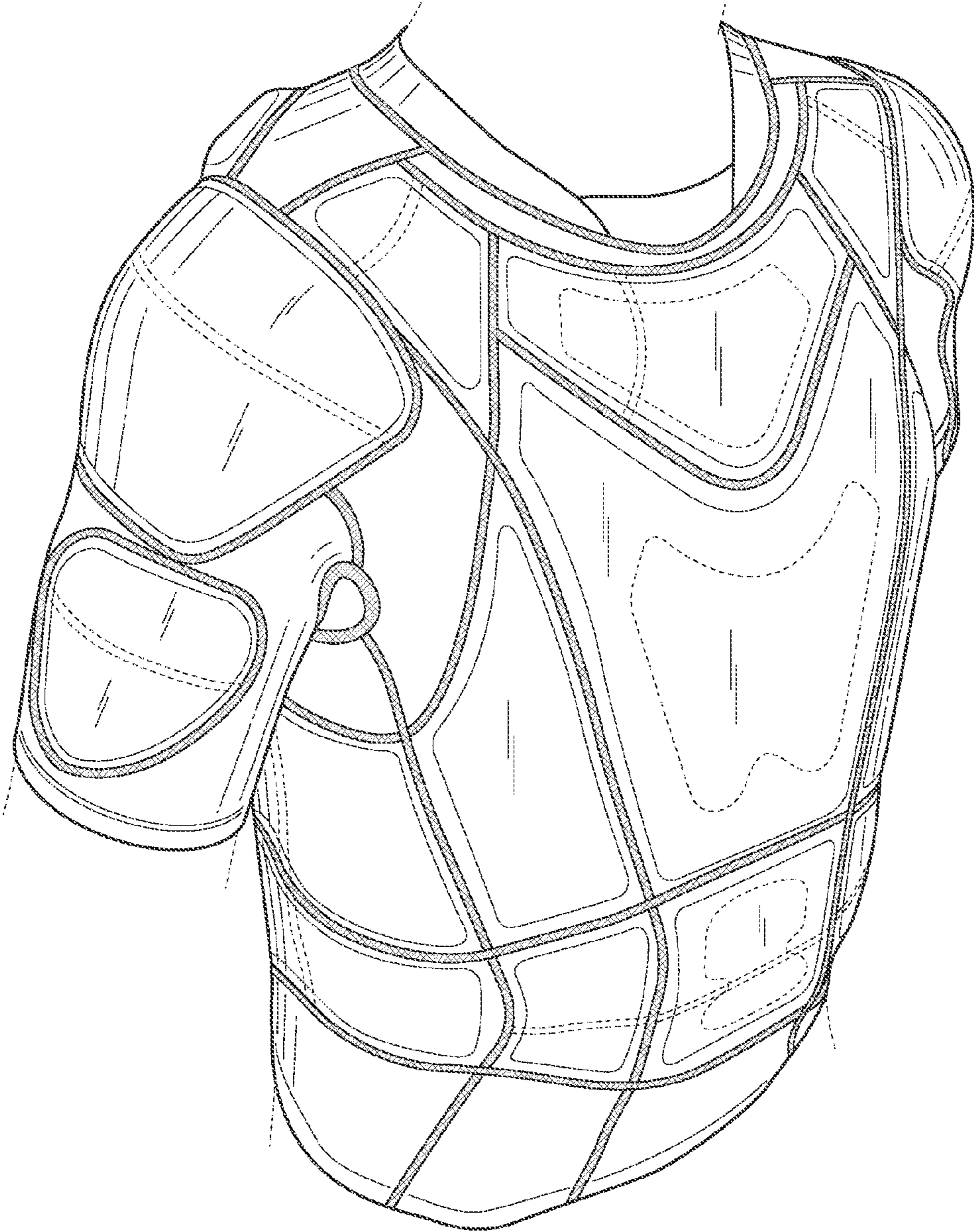


Fig. 1

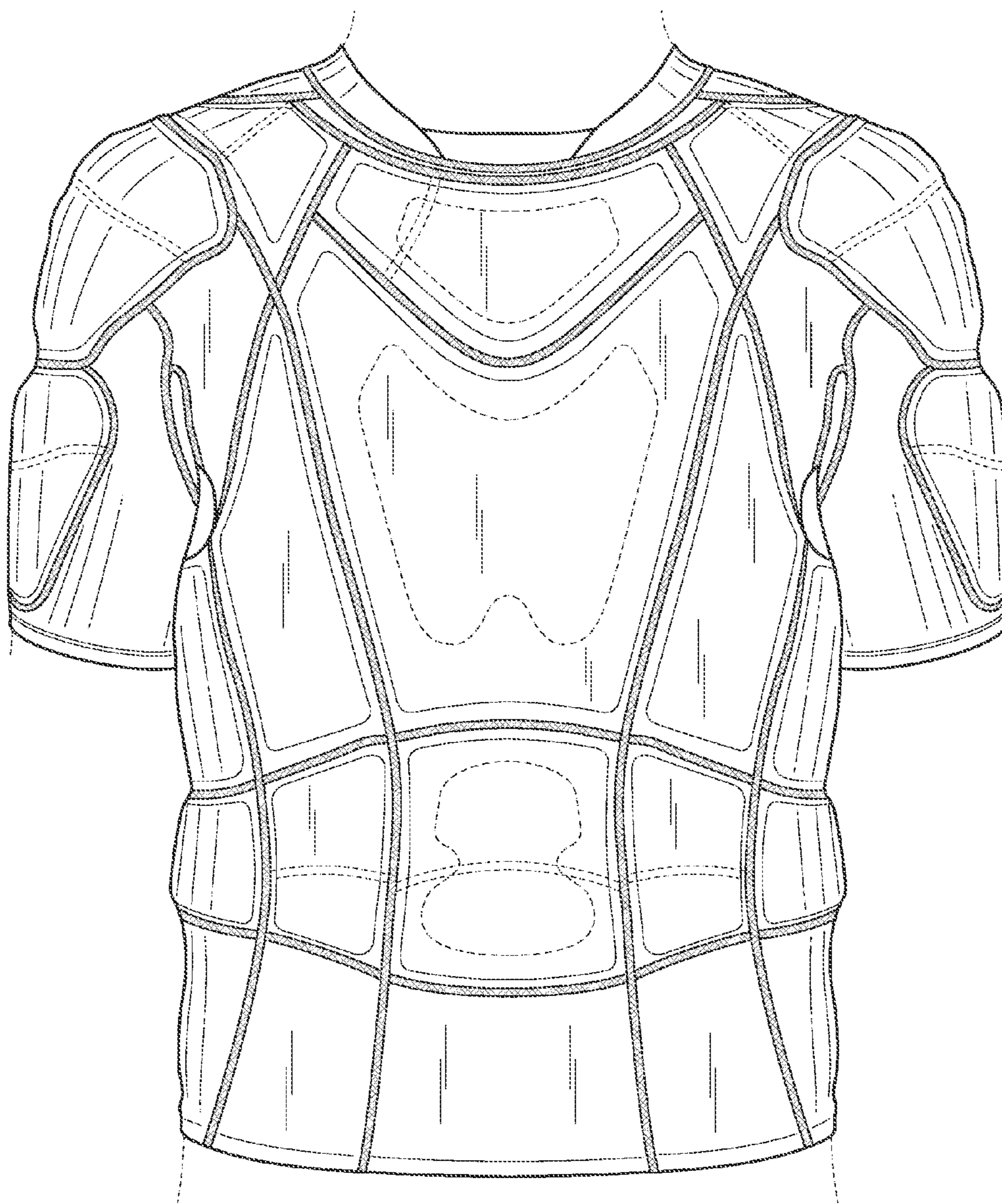


Fig. 2

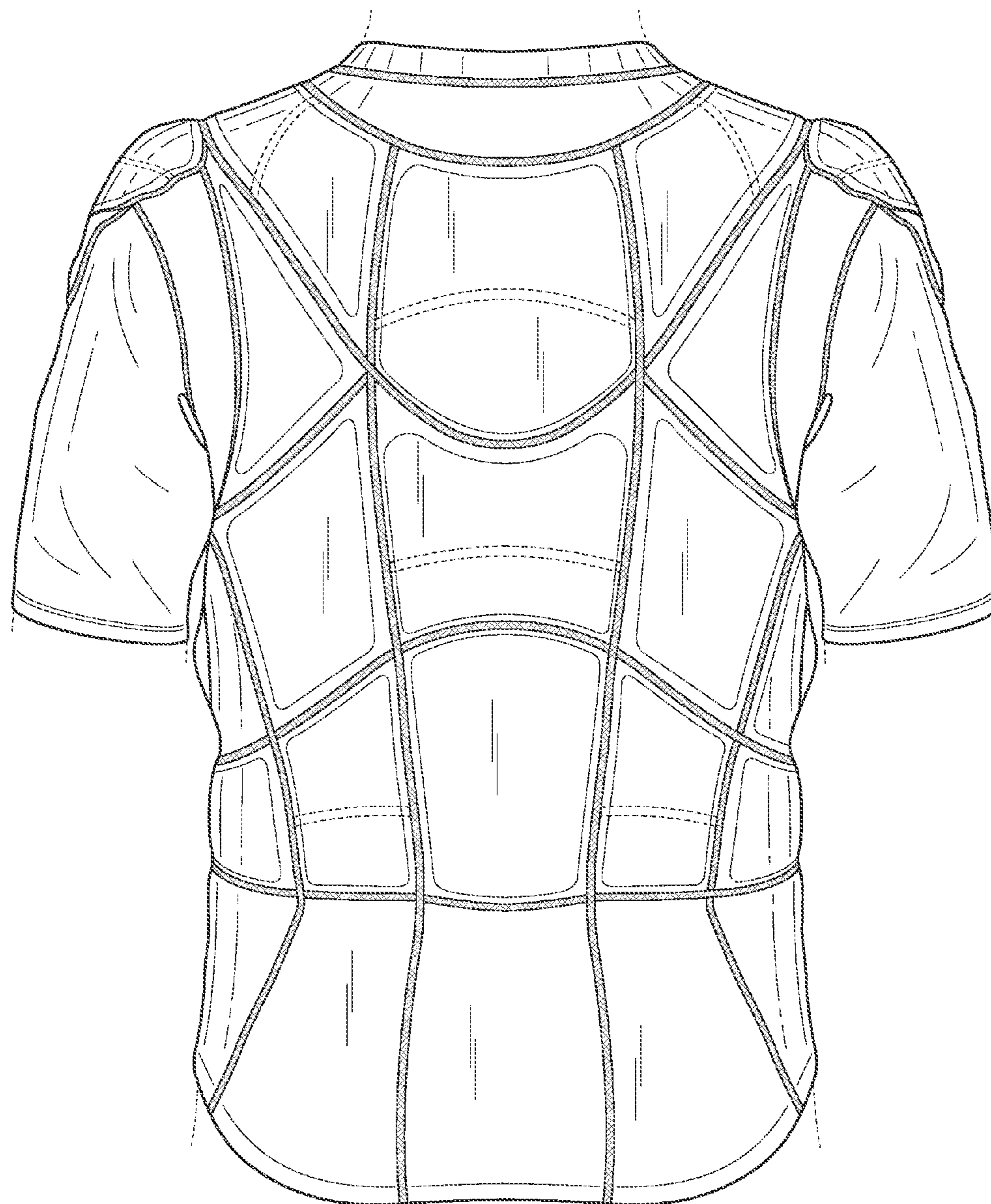


Fig. 3

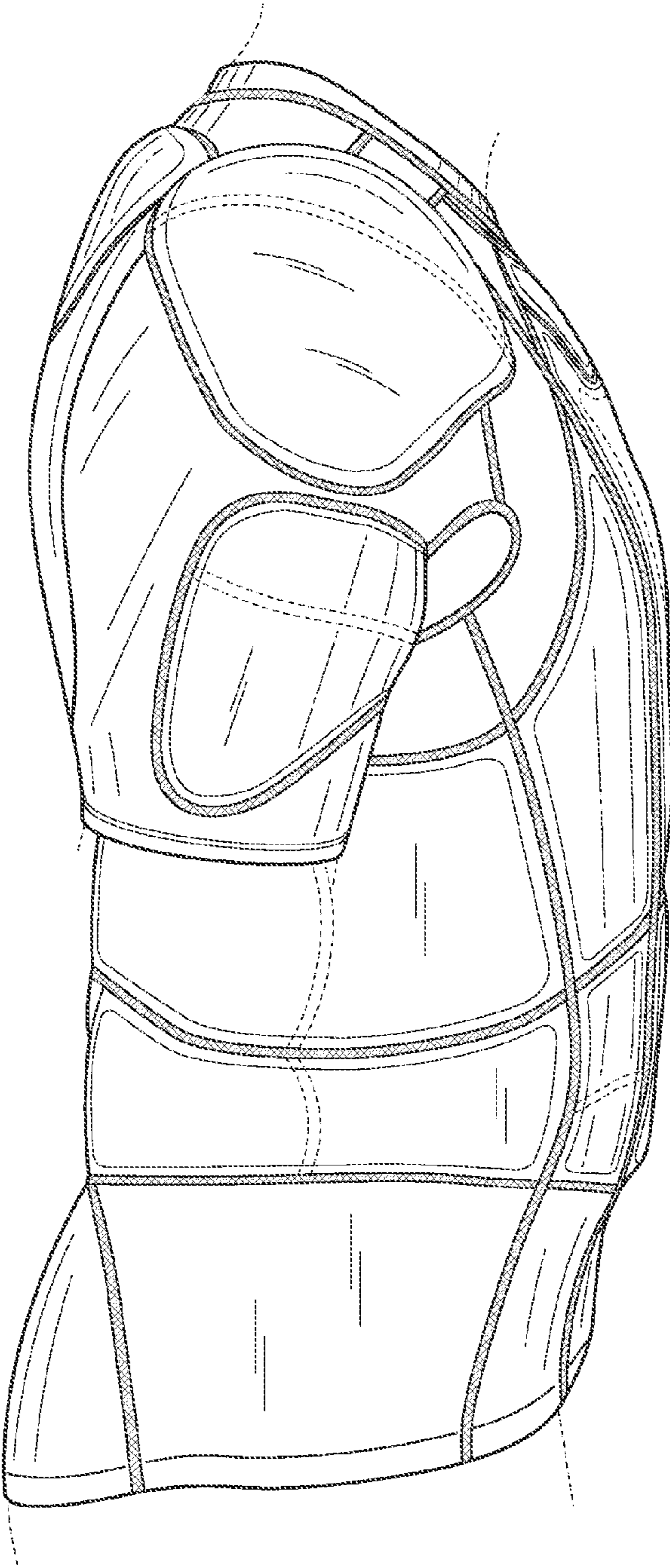


Fig. 4

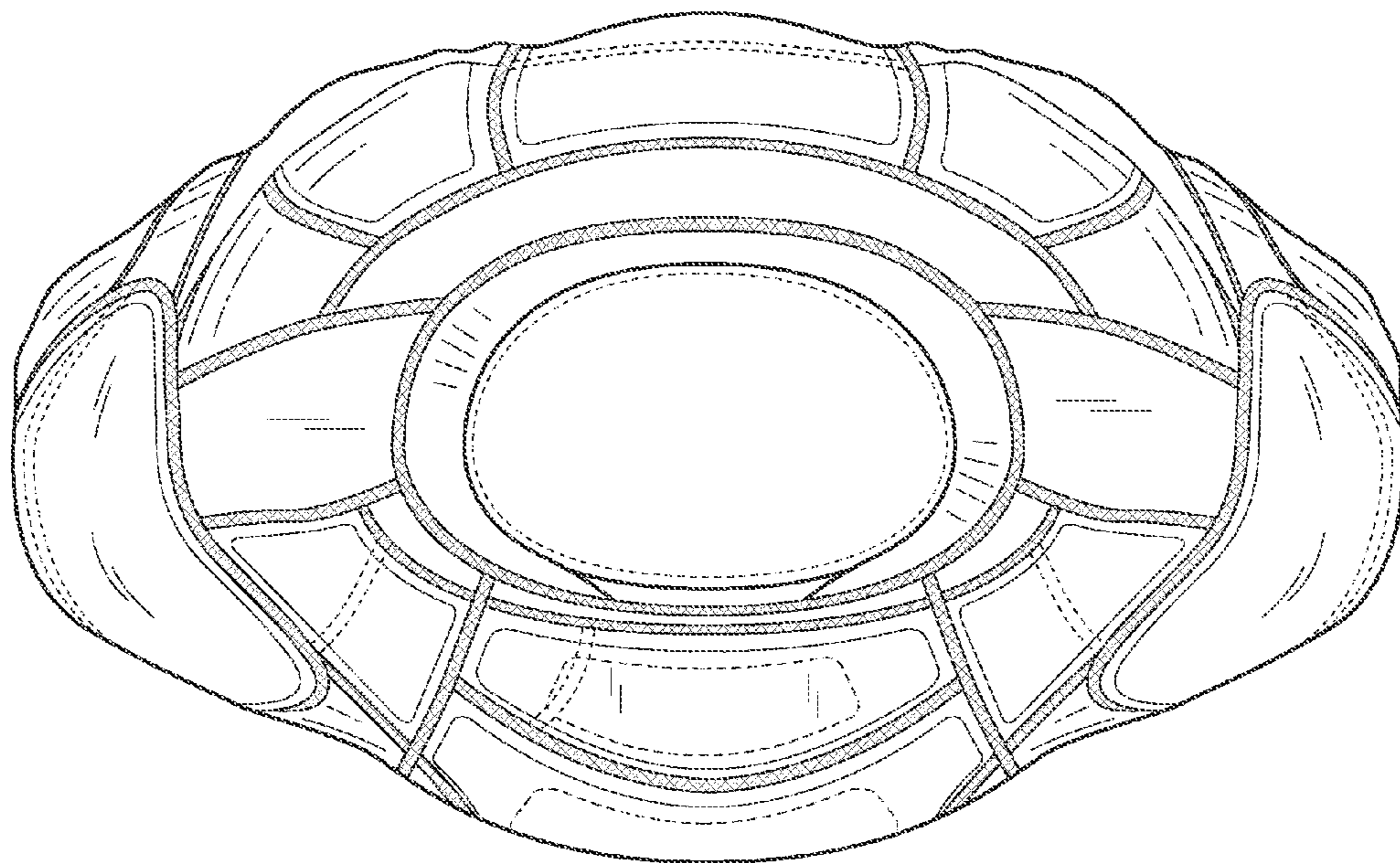


Fig. 5



Fig. 6

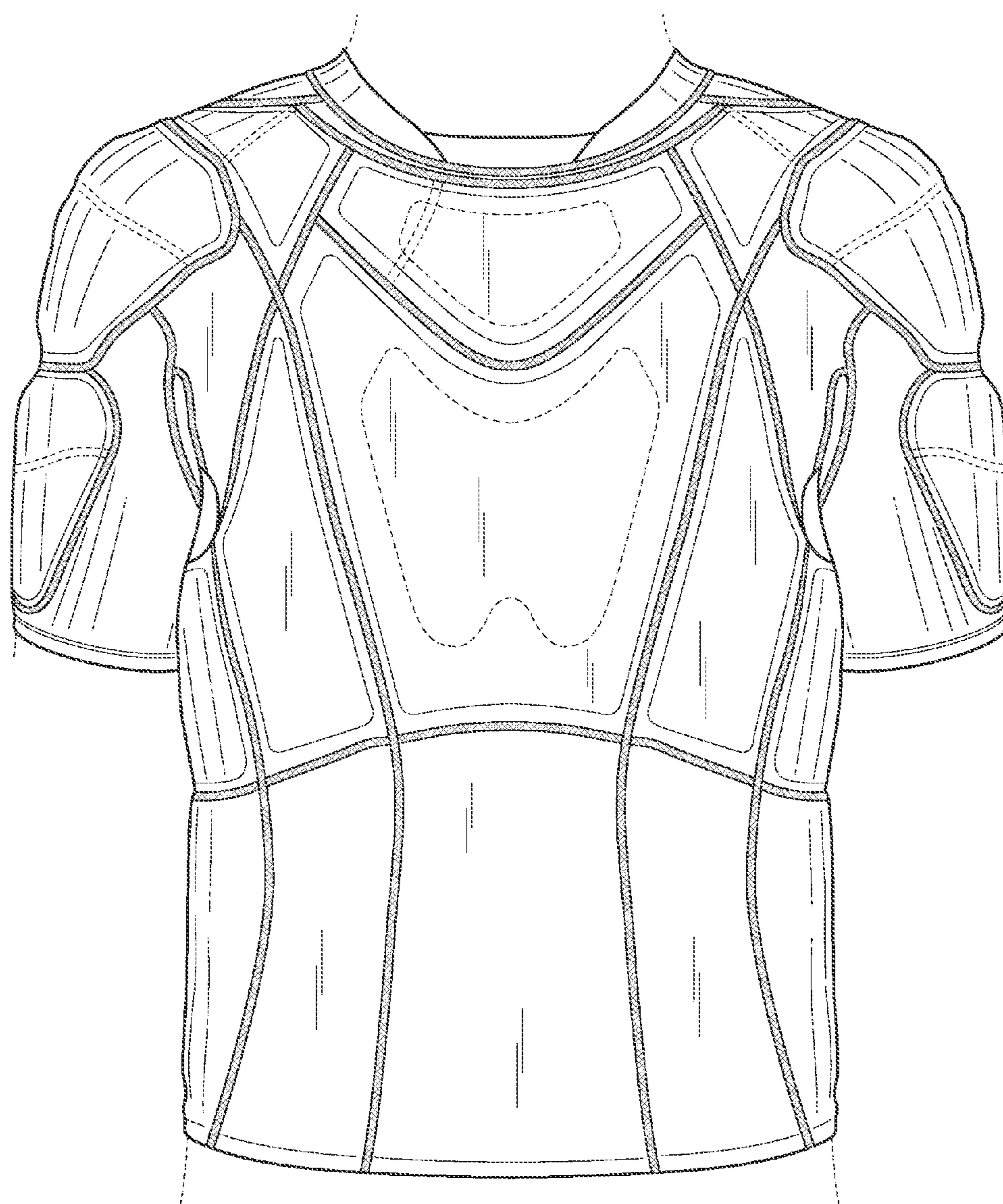


Fig. 7

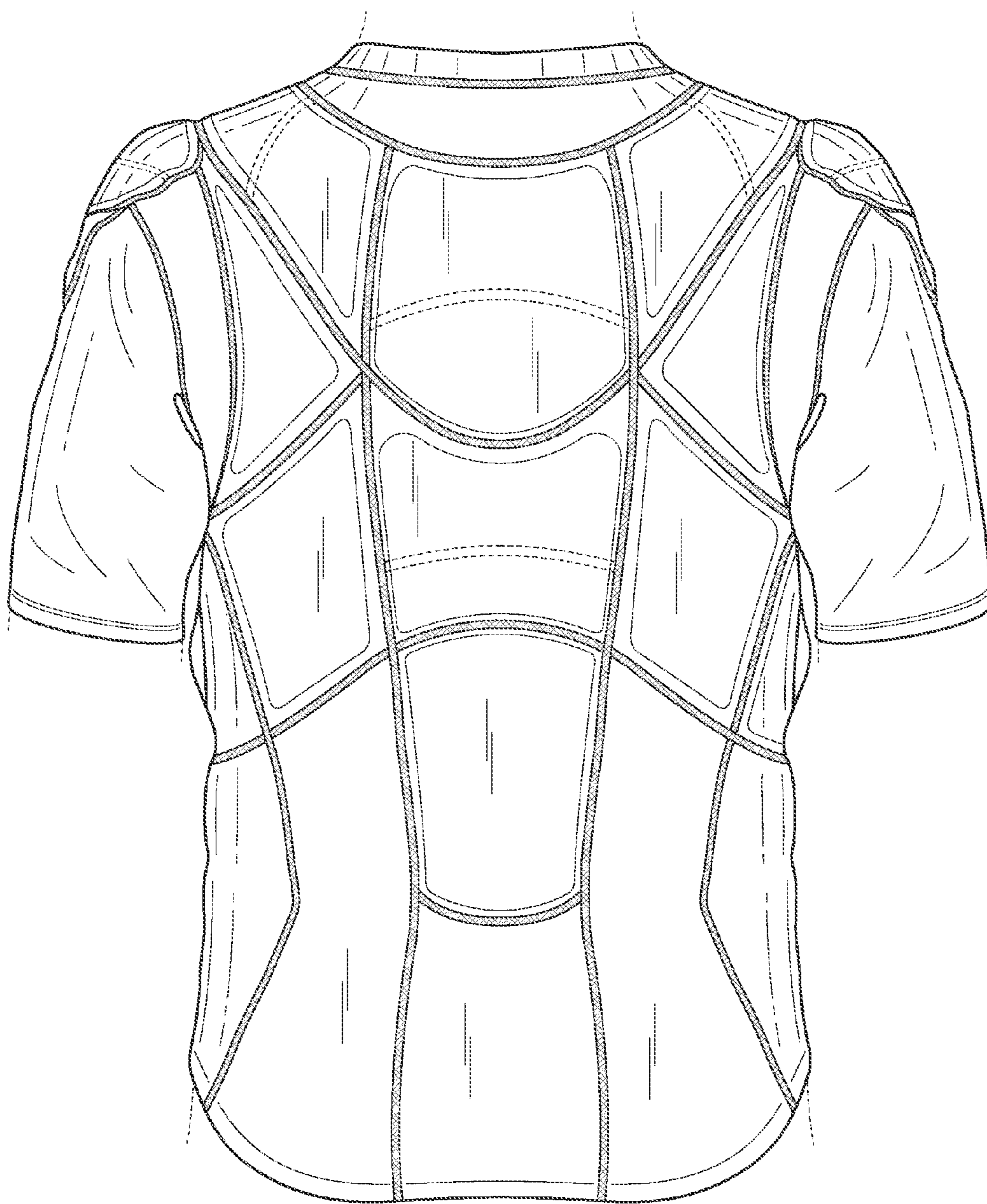


Fig. 8

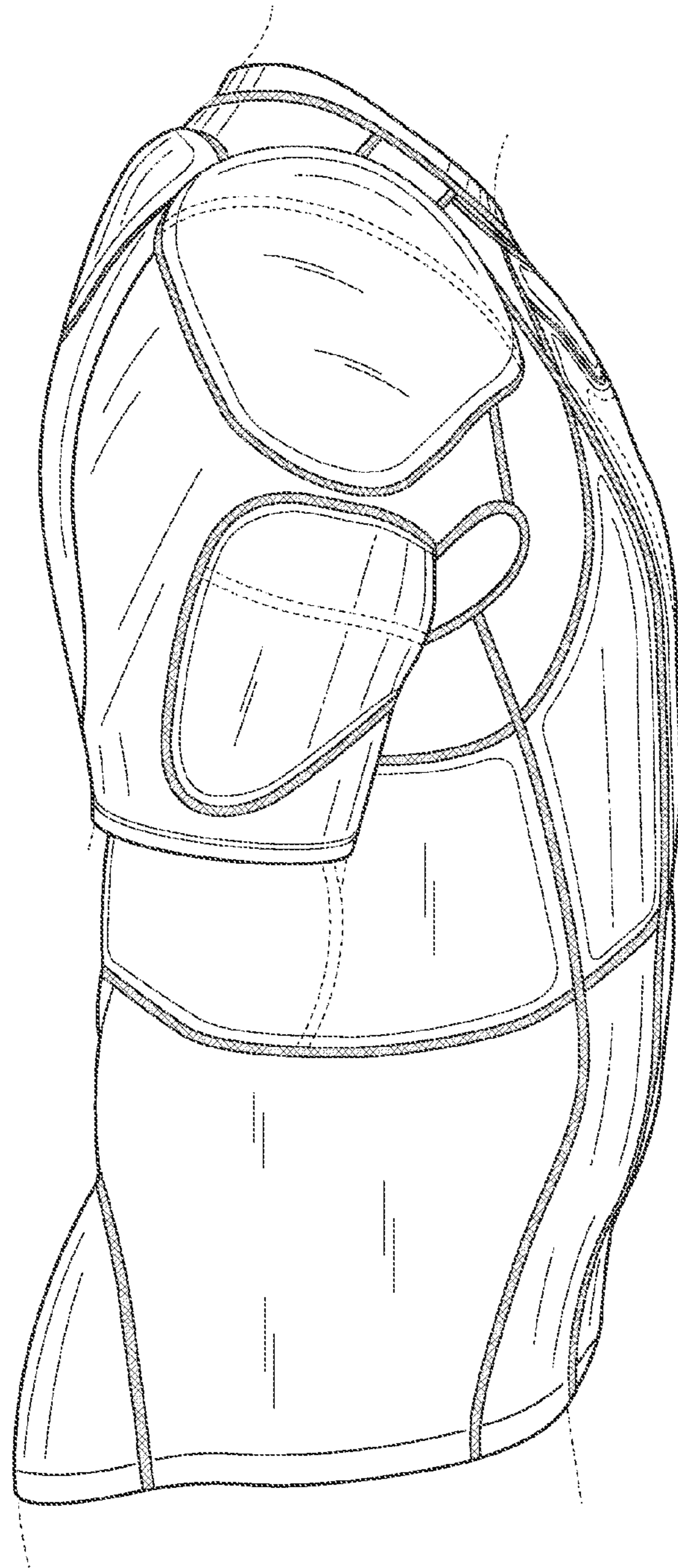


Fig. 9

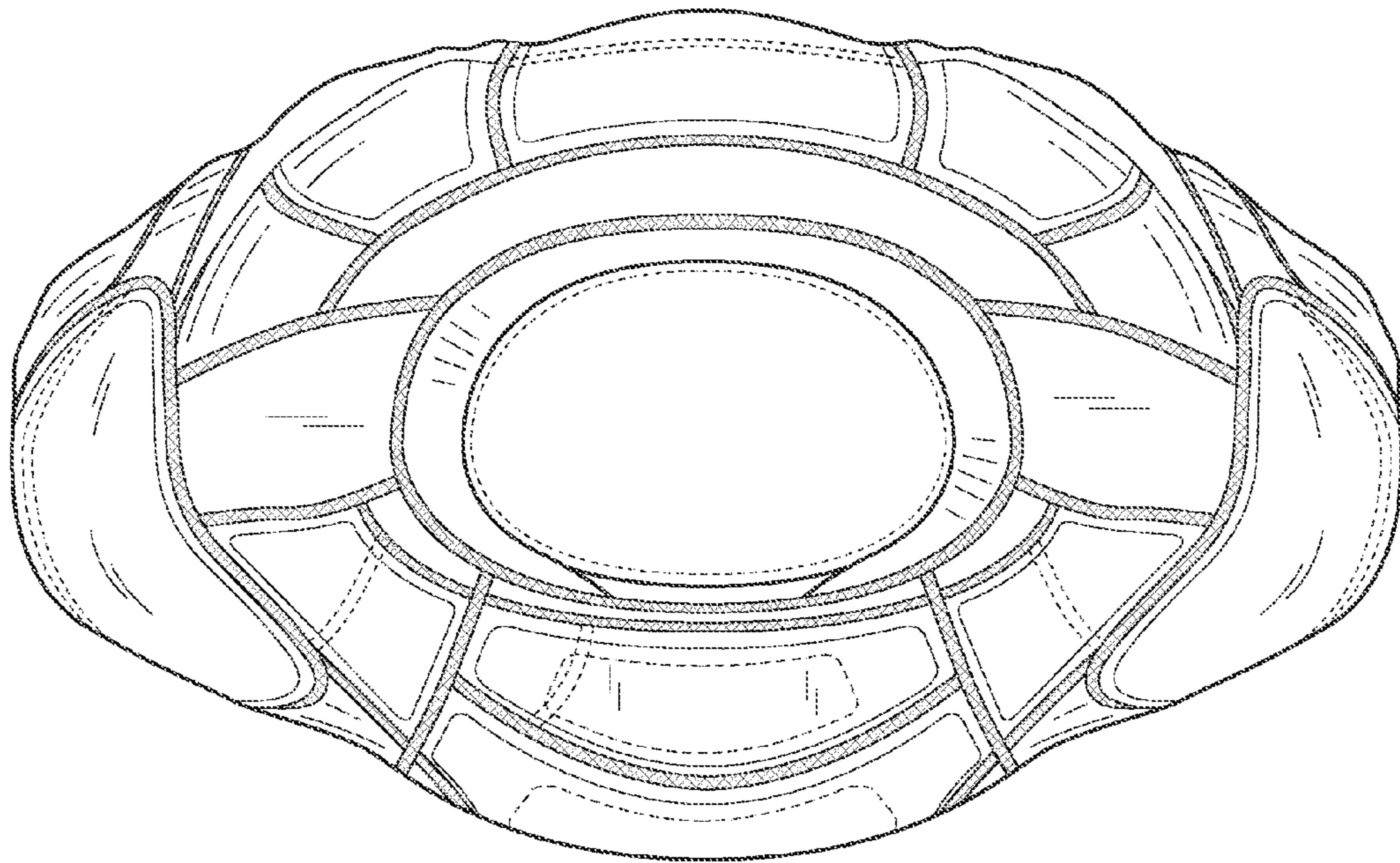


Fig. 10