

US00D663093S

(12) **United States Design Patent**
Brewer

(10) **Patent No.:** **US D663,093 S**

(45) **Date of Patent:** **** Jul. 3, 2012**

(54) **CYLINDER CLAMP**

(76) Inventor: **David Lee Brewer**, Green Bay, WI (US)

(**) Term: **14 Years**

(21) Appl. No.: **29/404,112**

(22) Filed: **Oct. 15, 2011**

(51) **LOC (9) Cl.** **12-05**

(52) **U.S. Cl.** **D34/33**

(58) **Field of Classification Search** D34/33,
D34/28, 35; D15/10, 28; D8/4; 294/106,
294/118, 110.1, 119, 28, 902, 16, 111, 62;
81/415, 418

See application file for complete search history.

(56) **References Cited**

U.S. PATENT DOCUMENTS

D140,594 S *	3/1945	Bodness	D34/35
D142,093 S *	8/1945	Kennedy	D15/32
D245,972 S *	10/1977	Kifer	D34/33
5,364,147 A *	11/1994	Dickey et al.	294/118

D598,174 S *	8/2009	Lindberg	D34/33
D610,325 S *	2/2010	Betzler	D34/33
2004/0135389 A1 *	7/2004	Helms	294/110.1

* cited by examiner

Primary Examiner — Cynthia Ramirez

(74) *Attorney, Agent, or Firm* — Steven H. Greenfield;
Greenfield Invention and Patent Consulting, Inc.

(57) **CLAIM**

The ornamental design for a cylinder clamp, as shown and described.

DESCRIPTION

FIG. 1 is a first side view of an ornamental cylinder clamp showing my new design;
 FIG. 2 is a second side plan view thereof;
 FIG. 3 is a top plan view thereof;
 FIG. 4 is a bottom plan view thereof;
 FIG. 5 is a front elevational view thereof;
 FIG. 6 is a rear elevational view thereof;
 FIG. 7 is a top perspective view thereof;
 FIG. 8 is another top perspective view thereof;
 FIG. 9 is a bottom perspective view thereof; and,
 FIG. 10 is another bottom perspective view thereof.

1 Claim, 9 Drawing Sheets

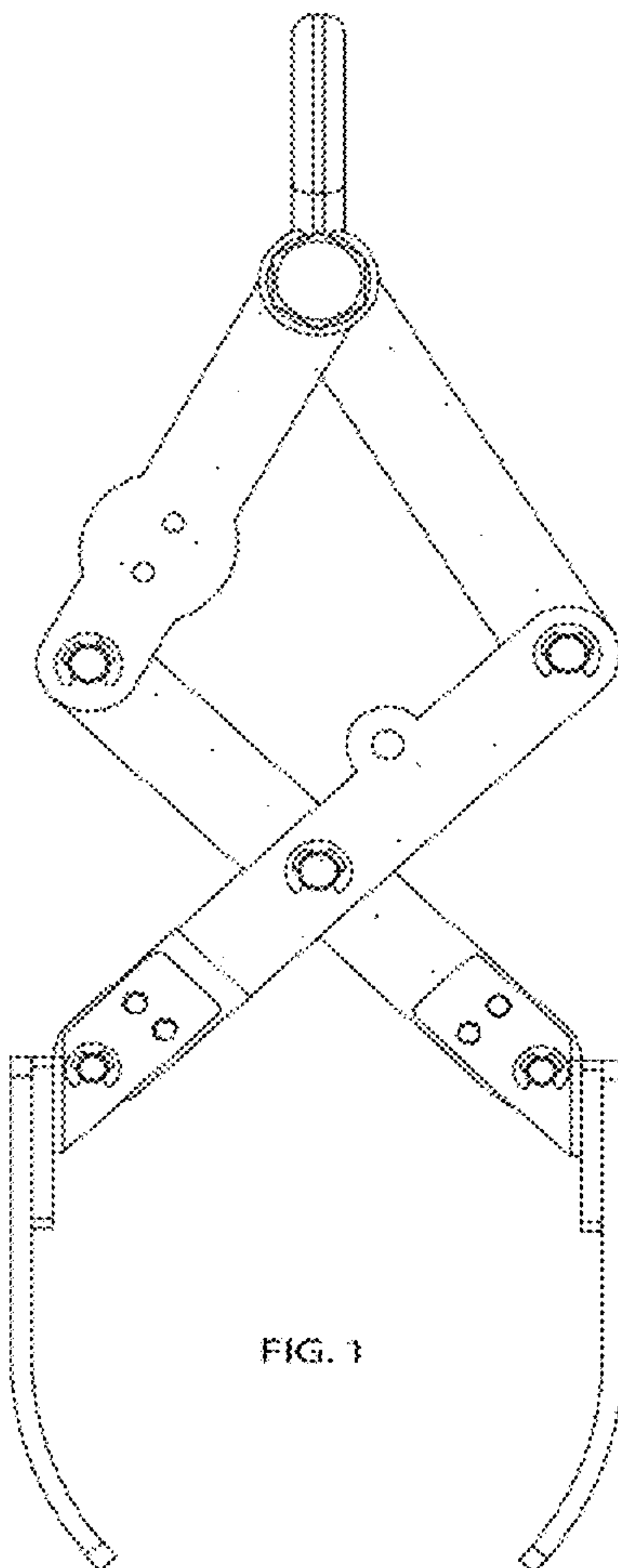


FIG. 1

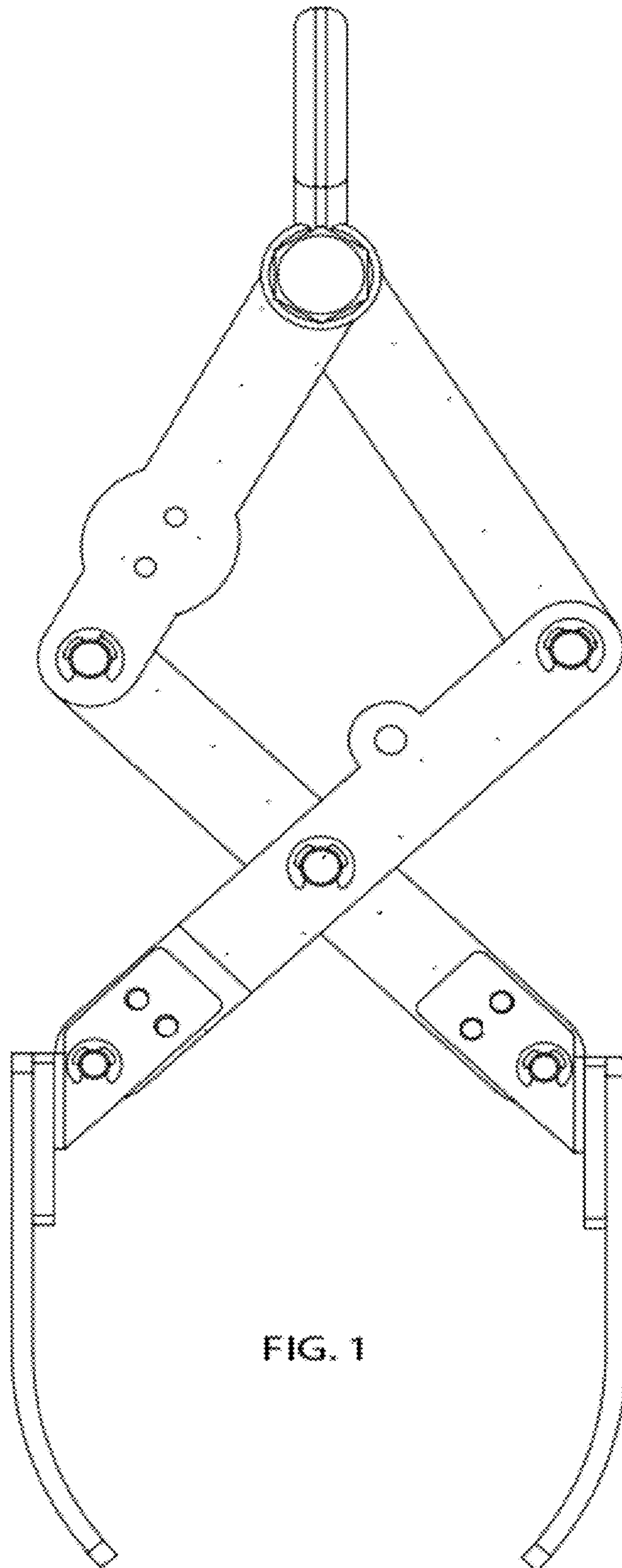


FIG. 1

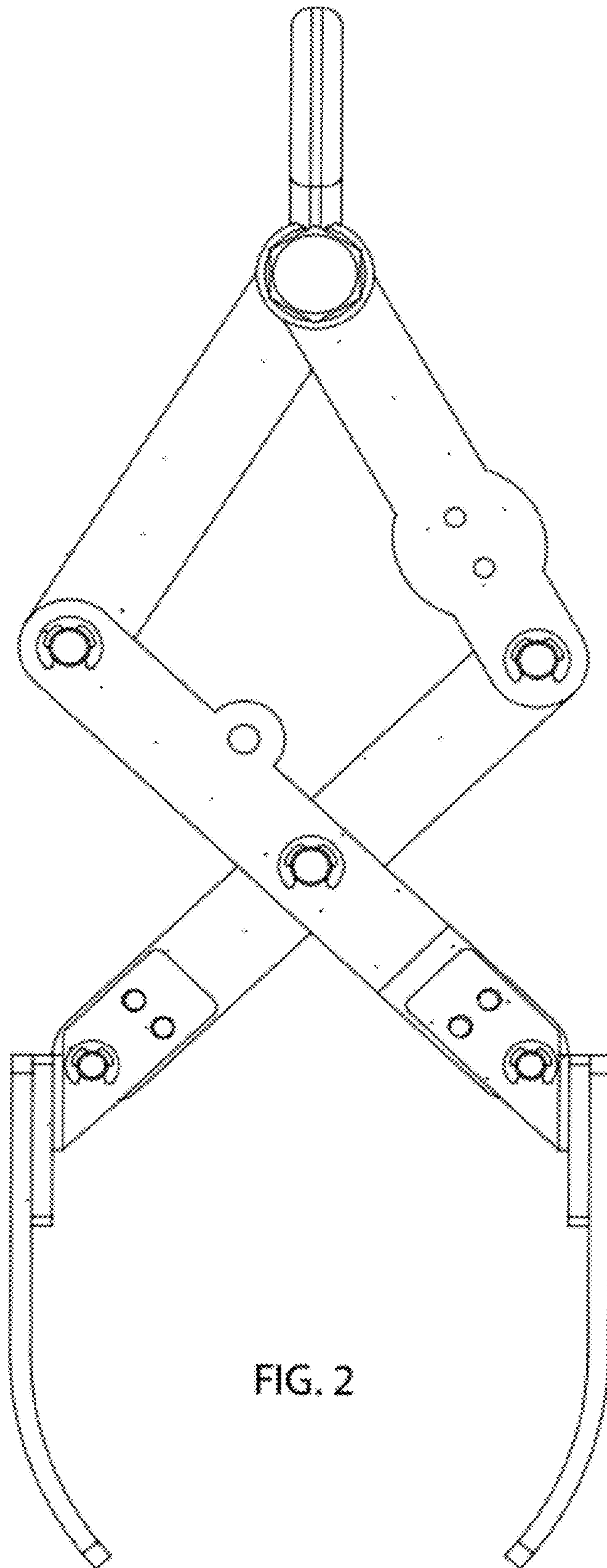


FIG. 2

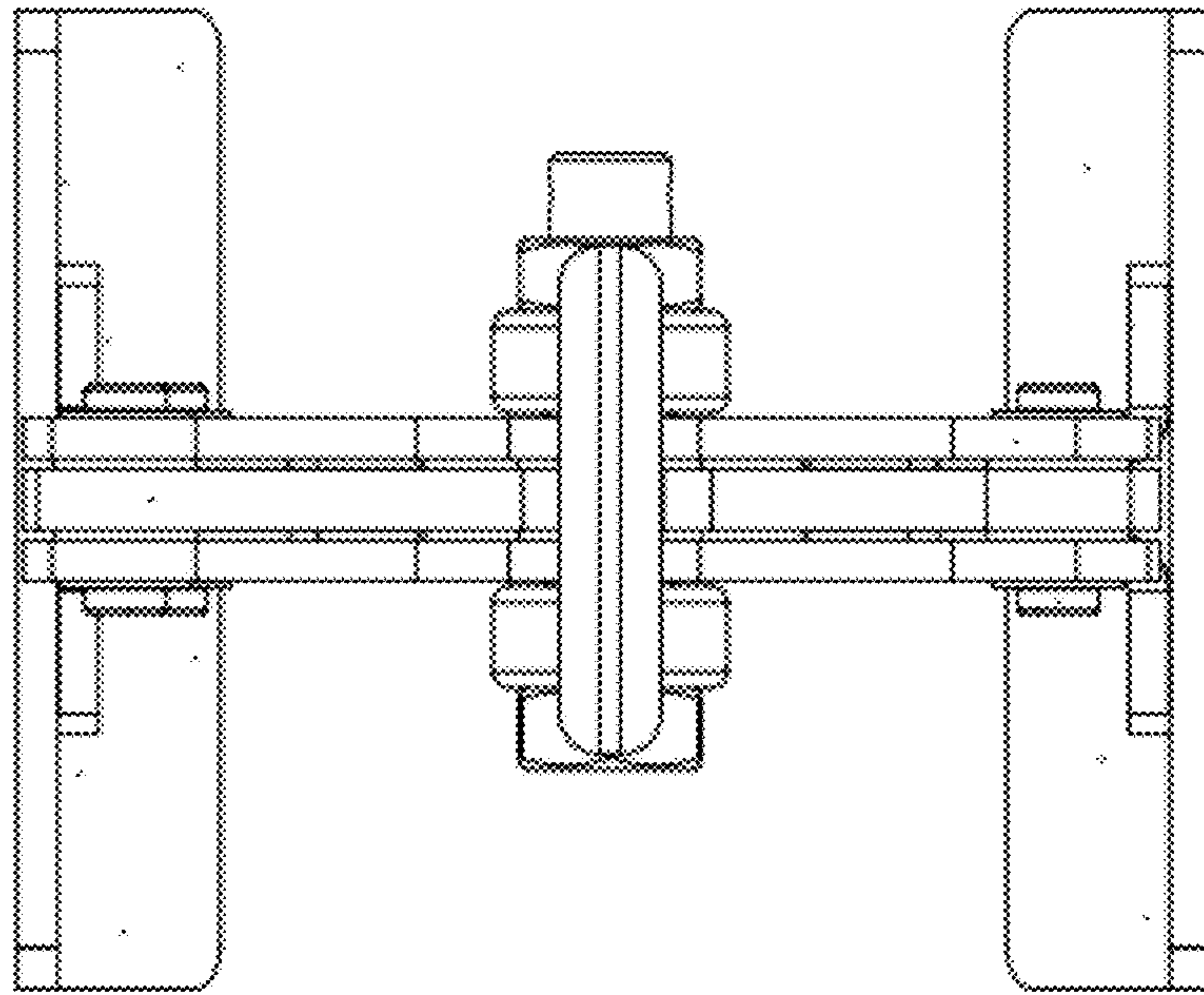


FIG. 3

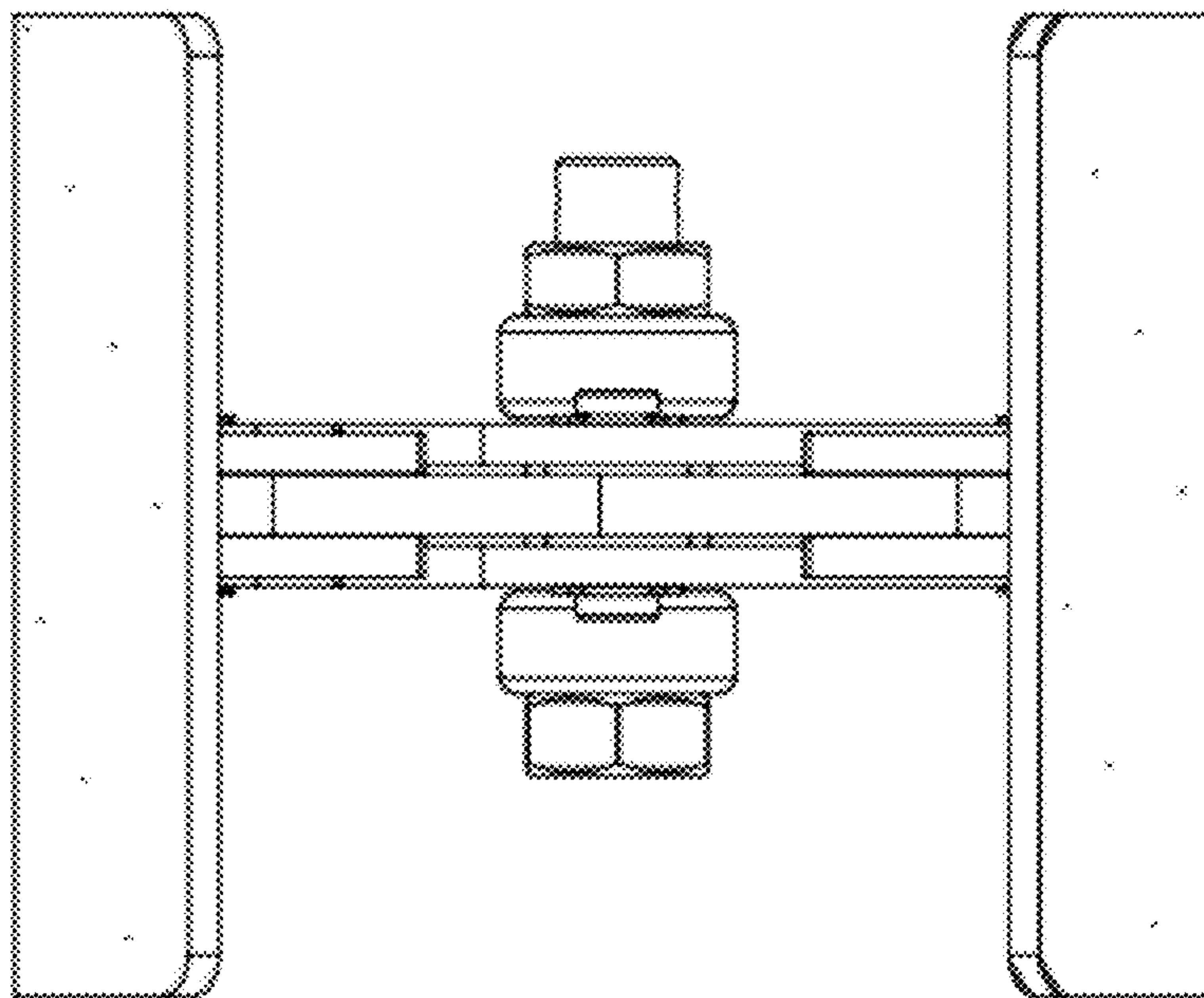
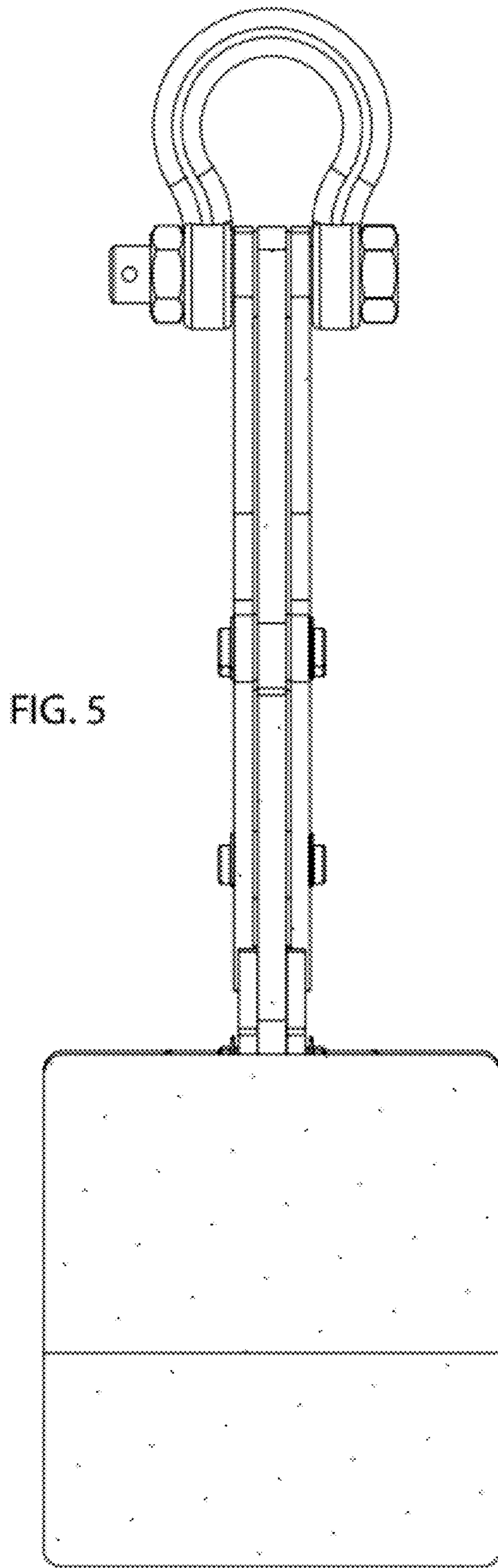
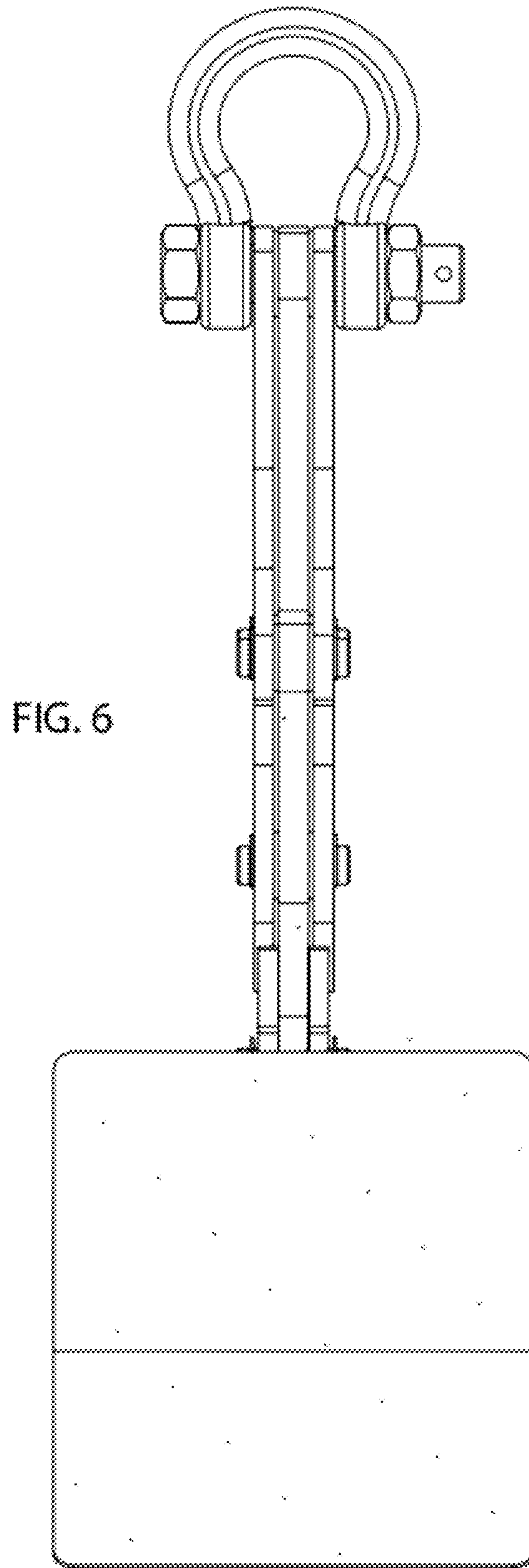


FIG. 4





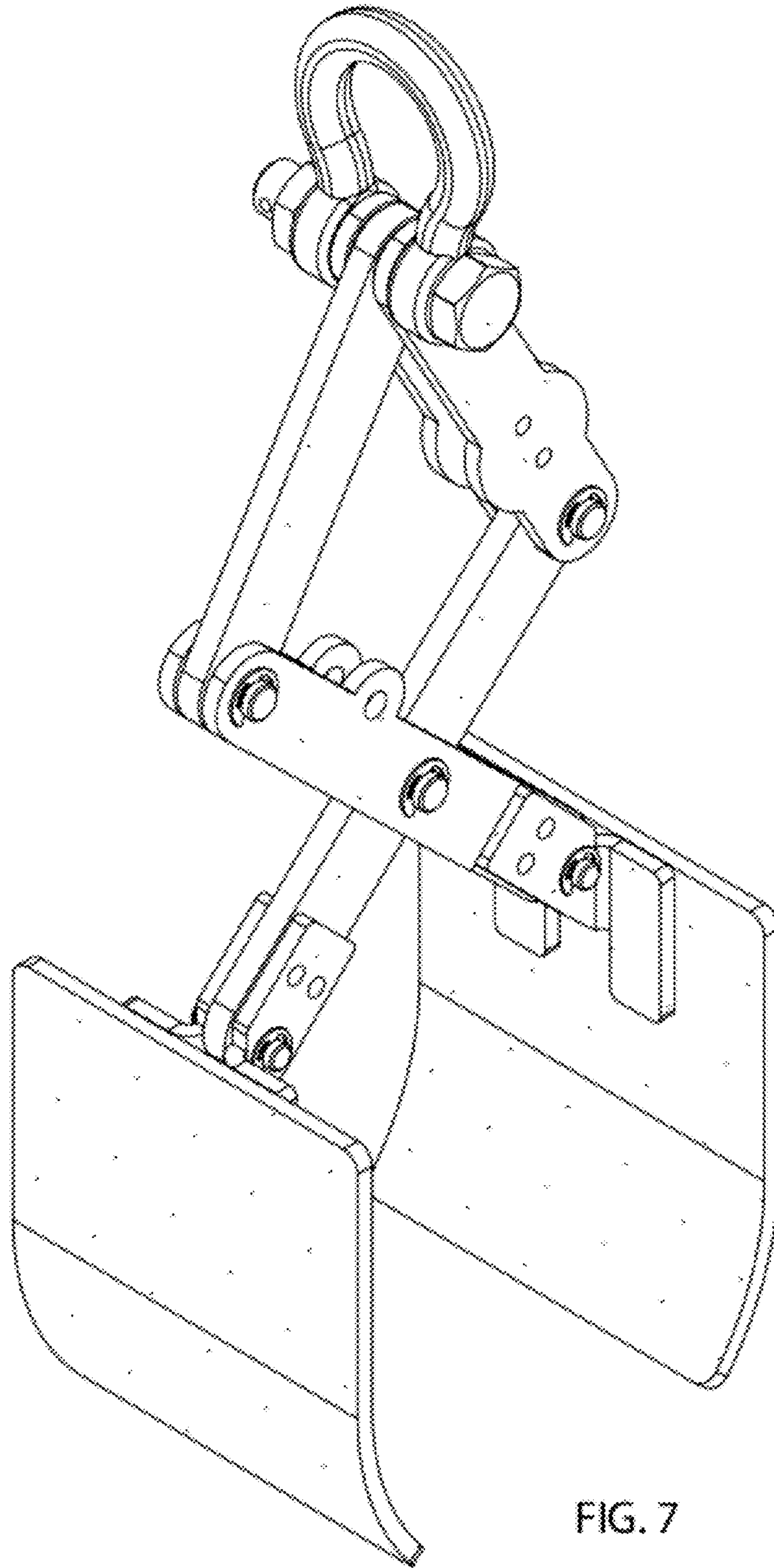


FIG. 7

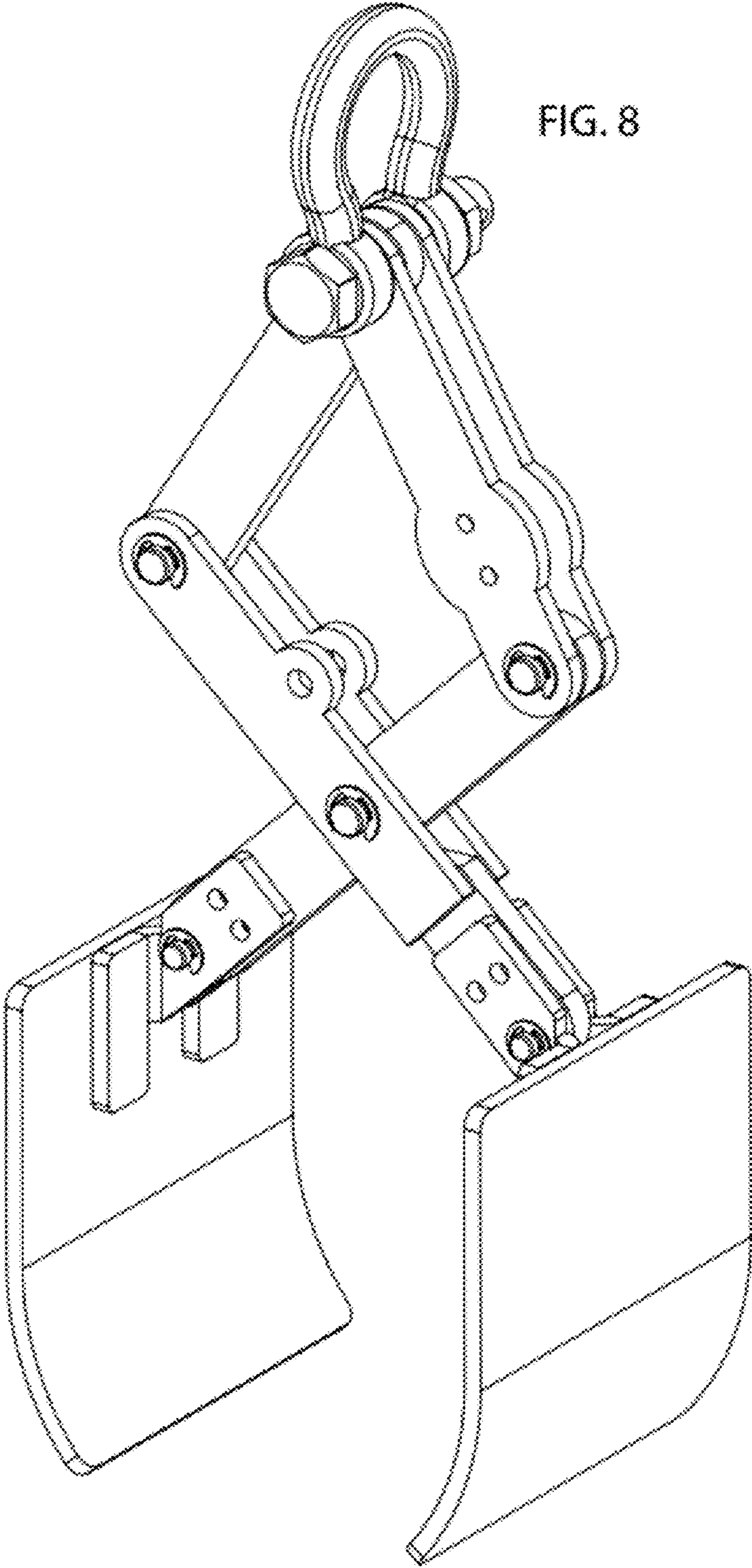


FIG. 8

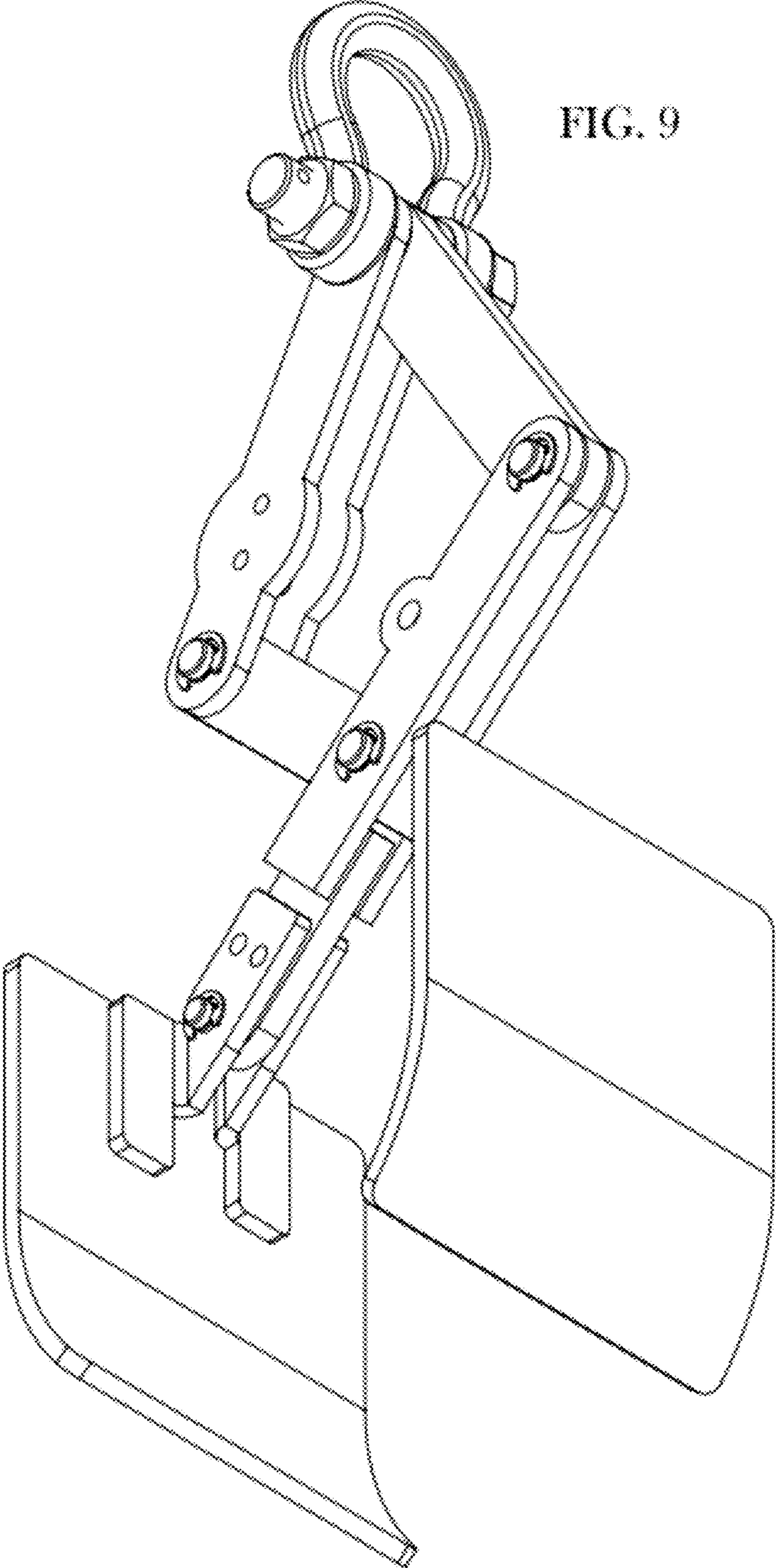


FIG. 9

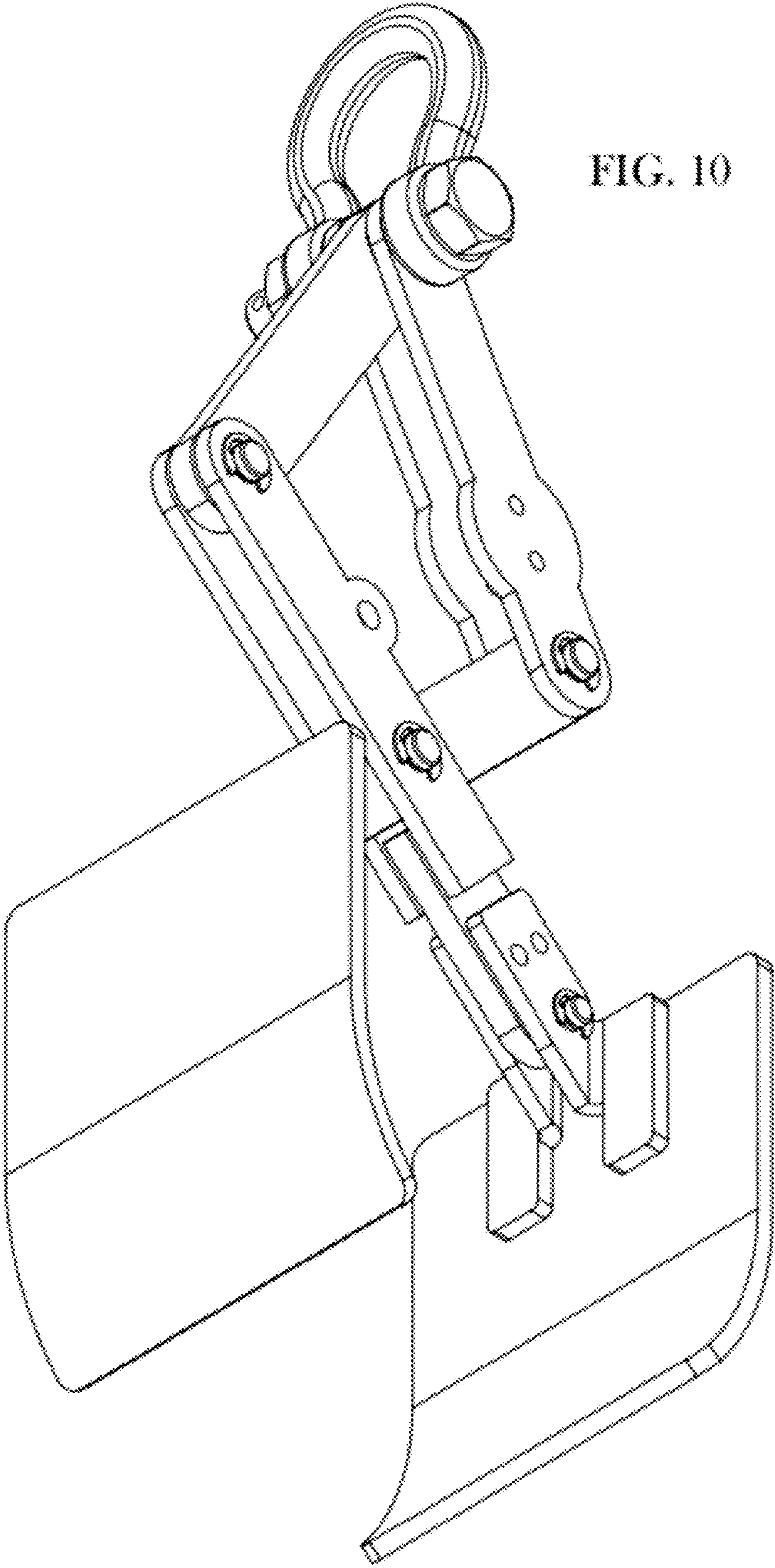


FIG. 10