



US00D663092S

(12) **United States Design Patent**
Blocker

(10) **Patent No.:** **US D663,092 S**

(45) **Date of Patent:** **** Jul. 3, 2012**

(54) **BERM WALKWAY**

(76) Inventor: **Bradley Jay Blocker**, Midland, TX (US)

(**) Term: **14 Years**

(21) Appl. No.: **29/403,572**

(22) Filed: **Oct. 7, 2011**

(51) **LOC (9) Cl.** **12-05**

(52) **U.S. Cl.** **D34/32**

(58) **Field of Classification Search** D34/32,
D34/33, 28; 254/88; 14/69.5, 71.1; 414/537,
414/540, 541, 678, 921

See application file for complete search history.

(56) **References Cited**

U.S. PATENT DOCUMENTS

2,012,635	A *	8/1935	Paden	254/88
D239,610	S *	4/1976	Miller	D34/32
D384,483	S *	9/1997	Buckman	D34/32
6,067,681	A *	5/2000	Zeinstra et al.	14/69.5
6,135,420	A *	10/2000	Johnston et al.	254/88
6,654,977	B1 *	12/2003	Chin	14/69.5
D550,922	S *	9/2007	Bain	D34/32
7,795,535	B2 *	9/2010	Lubanski	174/97
7,838,772	B2 *	11/2010	Lubanski	174/97
2007/0294844	A1 *	12/2007	Gunnarson et al.	14/69.5

2009/0020305	A1 *	1/2009	Fidler	174/50
2010/0050348	A1 *	3/2010	Mapp	14/69.5
2011/0225743	A1 *	9/2011	Bailie et al.	14/69.5

* cited by examiner

Primary Examiner — Cynthia Ramirez

(74) *Attorney, Agent, or Firm* — QuickPatents, Inc.; Kevin Prince

(57) **CLAIM**

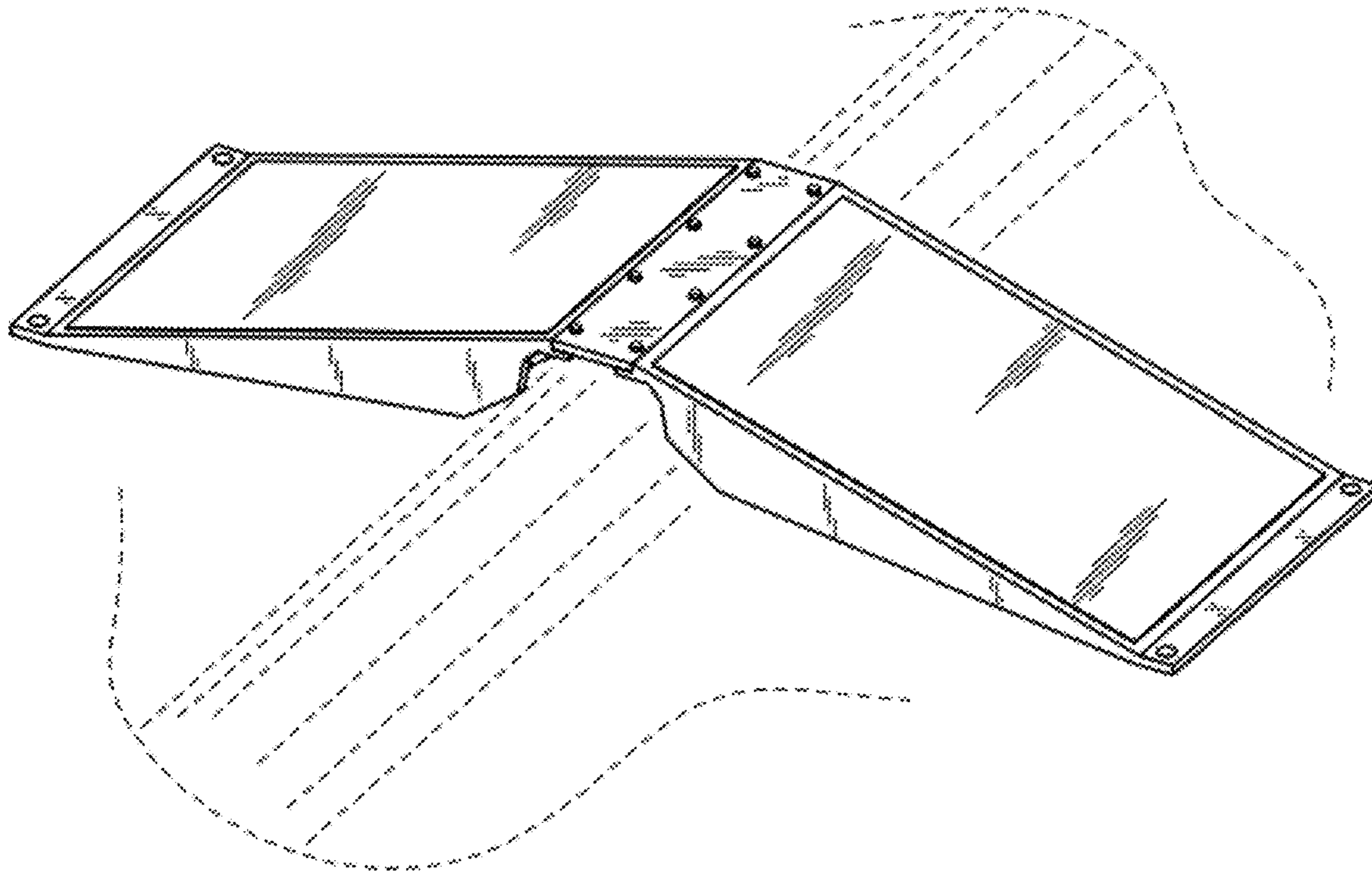
I claim the ornamental design for a berm walkway, as shown and described.

DESCRIPTION

FIG. 1 is a perspective view of a berm walkway, showing my new design in a deployed configuration; FIG. 2 is a front elevational view of FIG. 1, the rear elevational view being a mirror image thereof; FIG. 3 is a top plan view of FIG. 1; FIG. 4 is a bottom plan view of FIG. 1; FIG. 5 is a left-side elevational view of FIG. 1, the right-side elevational view being a mirror image thereof; and, FIG. 6 is a perspective view thereof, illustrated in a collapsed configuration.

The broken lines showing a sand berm in FIG. 1 depict environmental matter and form no part of the claimed design.

1 Claim, 3 Drawing Sheets



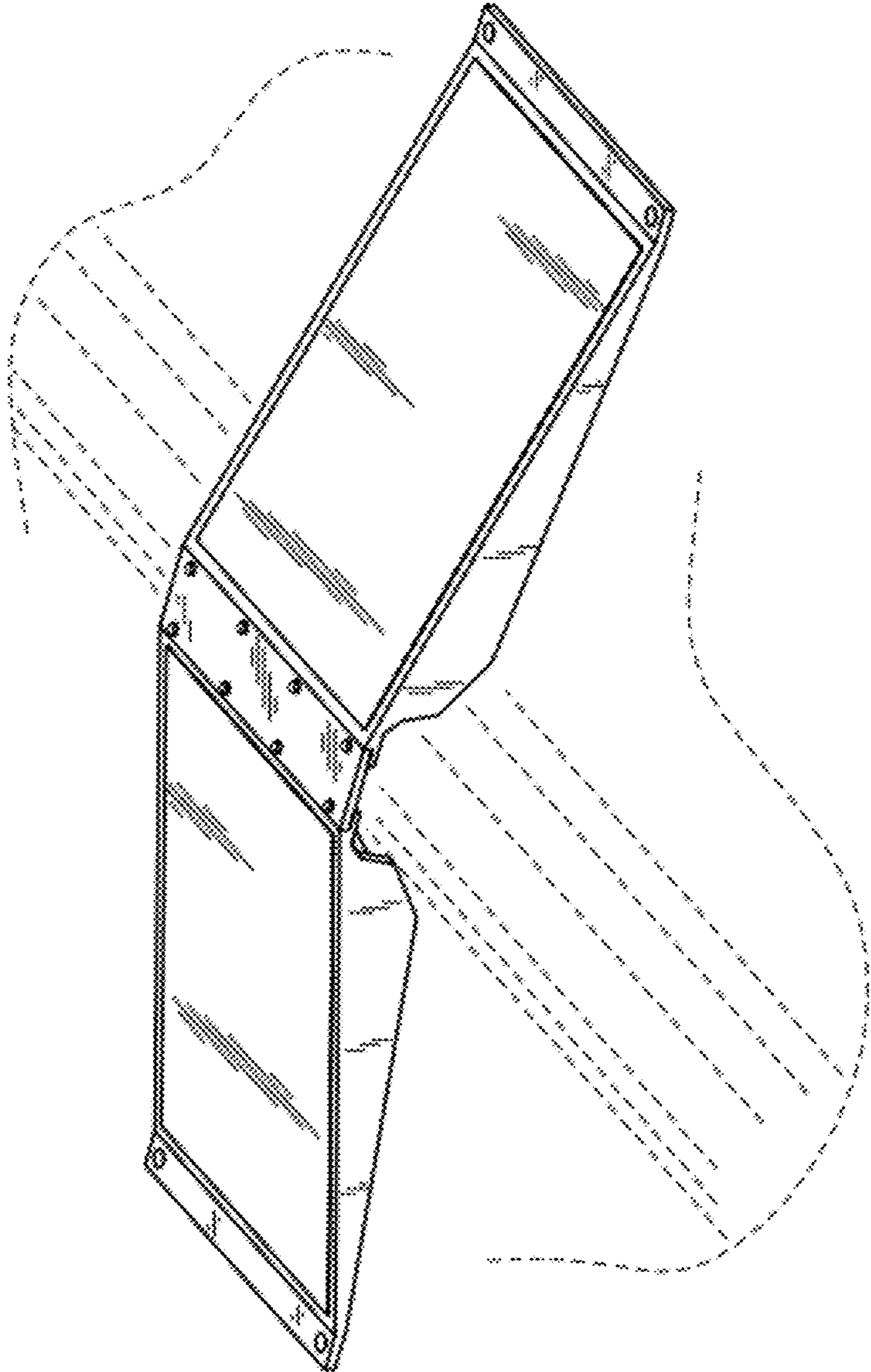


FIG. 1

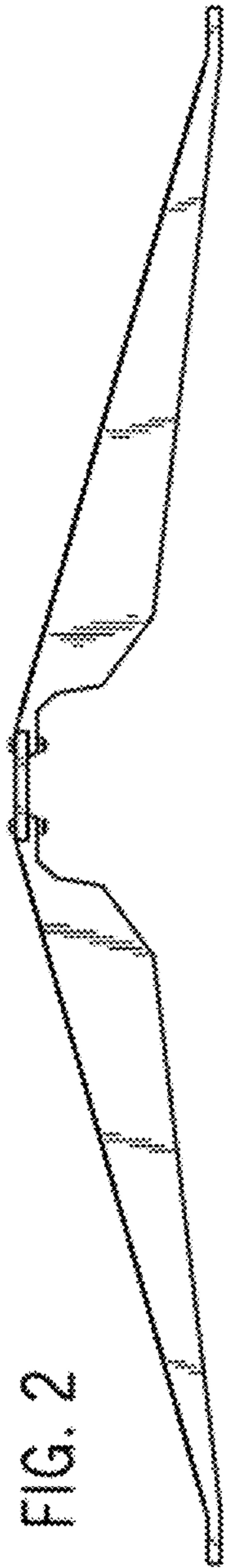


FIG. 2

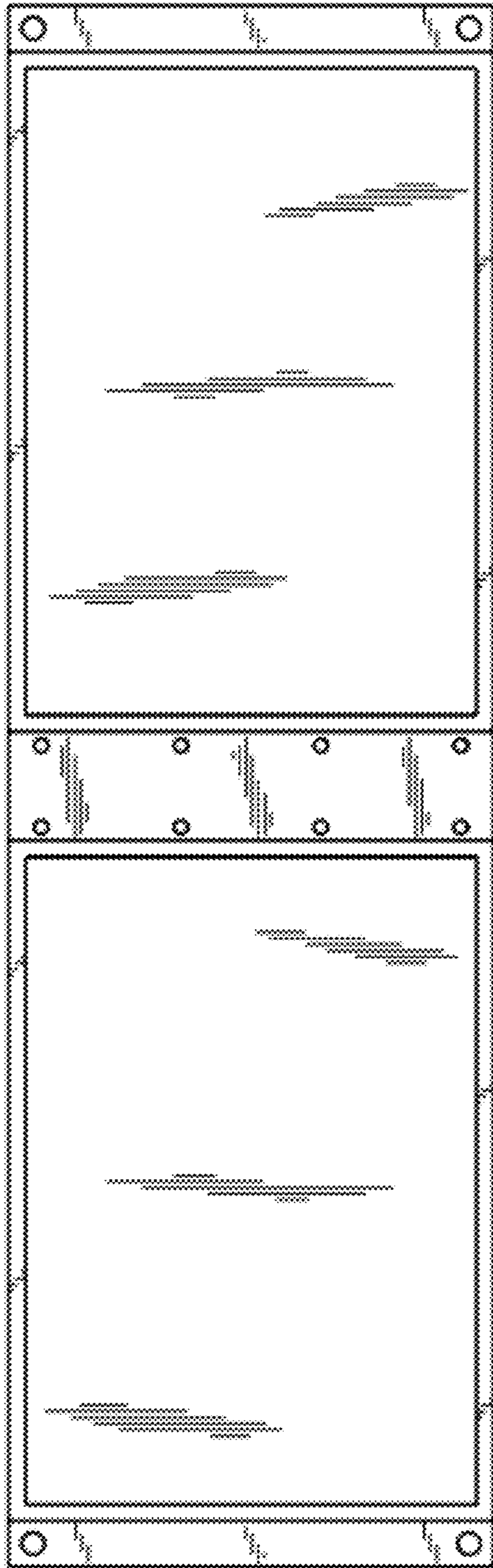


FIG. 3

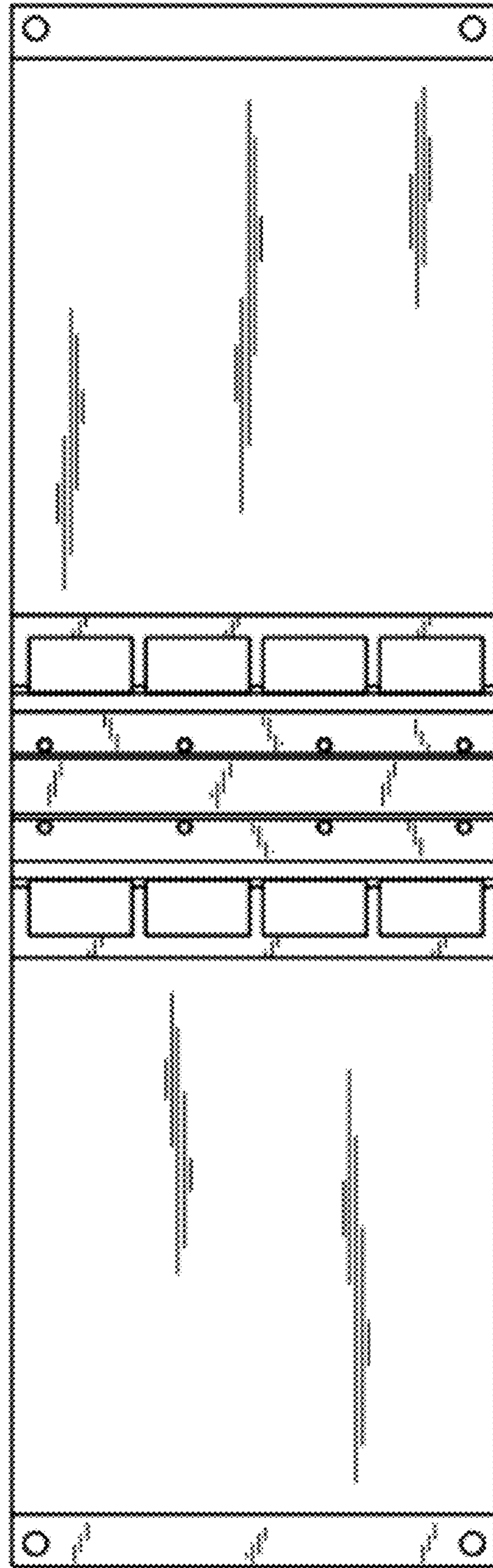


FIG. 4

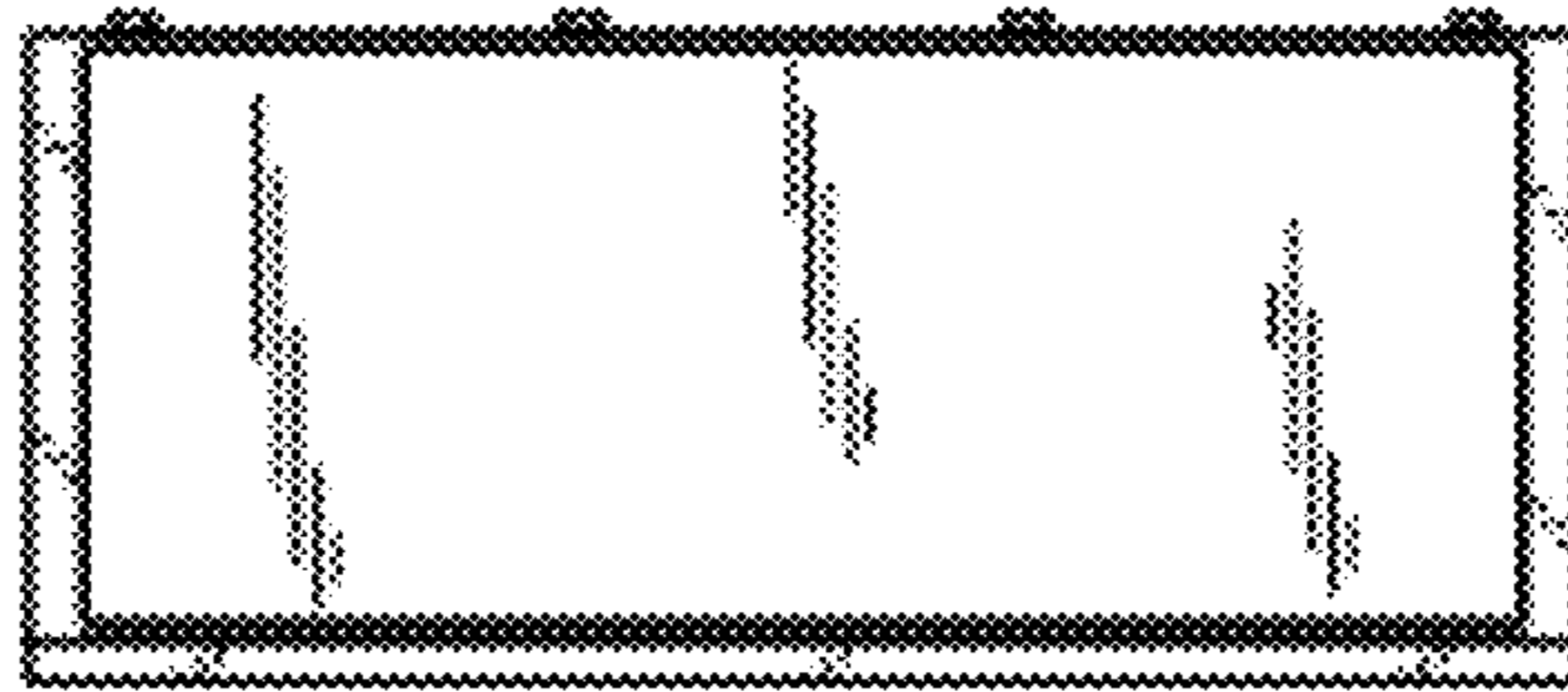


FIG. 5

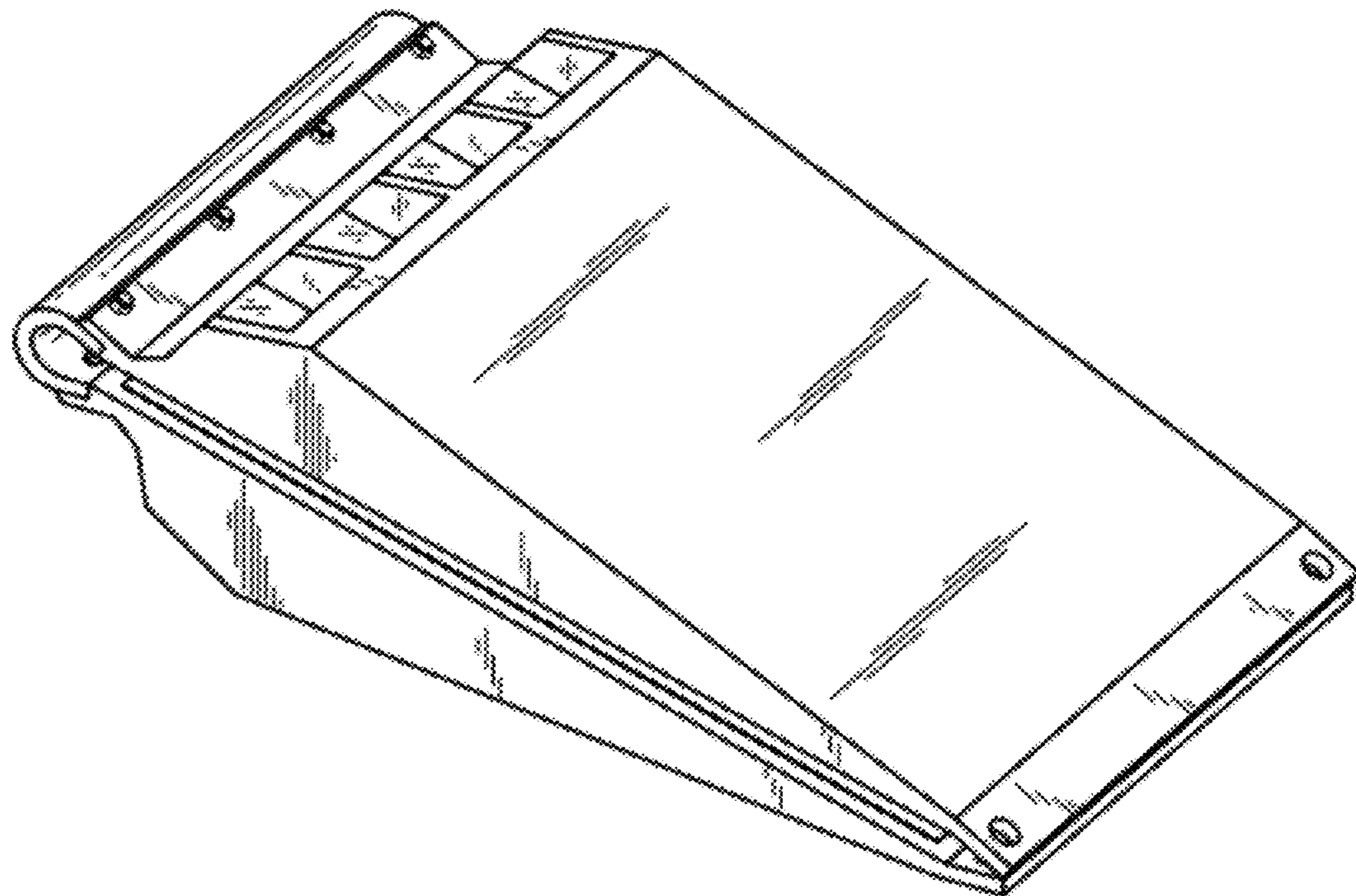


FIG. 6