



US00D663090S

(12) **United States Design Patent**
Goda et al.

(10) **Patent No.:** **US D663,090 S**
(45) **Date of Patent:** **** Jul. 3, 2012**

- (54) **DUMPSTER TRAILER**
- (76) Inventors: **Teko Alan Goda**, Brazil, IN (US);
Larry Ryan Wallace, Terre Haute, IN (US)
- (**) Term: **14 Years**
- (21) Appl. No.: **29/402,144**
- (22) Filed: **Sep. 21, 2011**
- (51) **LOC (9) Cl.** **09-09**
- (52) **U.S. Cl.** **D34/3**
- (58) **Field of Classification Search** D34/1-11;
220/908-913; 414/420, 422, 424, 411, 410
See application file for complete search history.

6,755,479	B1	6/2004	Meeks	
6,851,756	B2	2/2005	Pieschel	
7,390,065	B2	6/2008	Pieschel	
2002/0008104	A1	1/2002	Pickler	
2005/0067799	A1	3/2005	Smith	
2005/0226707	A1	10/2005	Quenzi	
2010/0303592	A1*	12/2010	Banning 414/419

* cited by examiner

Primary Examiner — Cynthia Ramirez
(74) *Attorney, Agent, or Firm* — Taft Stettinius & Hollister LLP; Stephen Rost

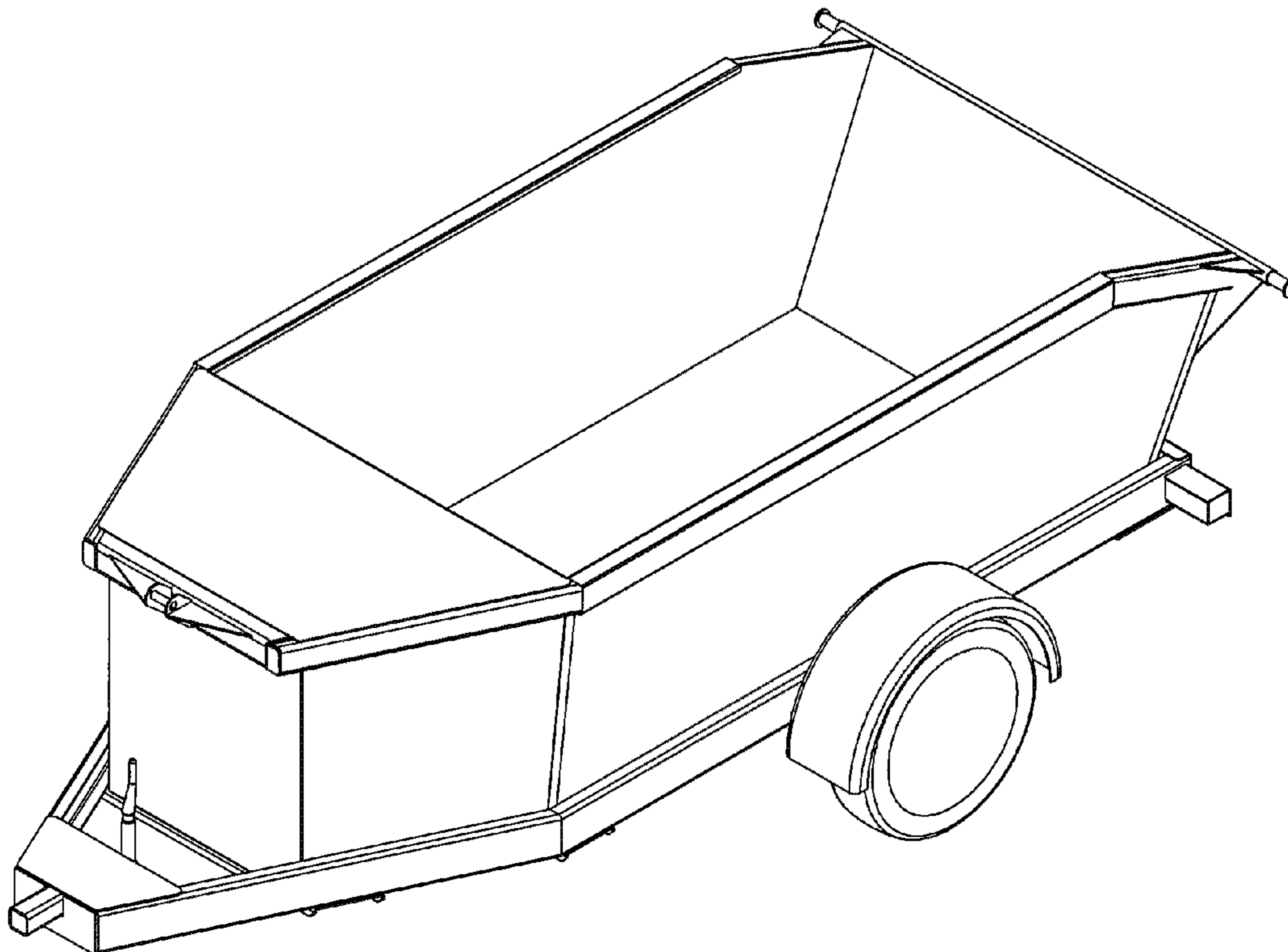
(57) **CLAIM**
The ornamental design for a dumpster trailer, as shown and described.

- (56) **References Cited**
- U.S. PATENT DOCUMENTS
- D241,571 S * 9/1976 Worthington D12/15
- D311,619 S * 10/1990 Gravagna D34/3
- 5,015,143 A * 5/1991 Carson 414/411
- D333,449 S * 2/1993 Camillieri D12/15
- 5,395,163 A 3/1995 Mandell
- 5,458,451 A 10/1995 Bratlie
- 5,509,723 A 4/1996 Bratlie
- 5,544,944 A 8/1996 Keech
- 5,954,468 A 9/1999 Marshall
- 6,142,496 A 11/2000 Bartel
- 6,290,301 B1 9/2001 Bockman
- 6,659,496 B1 12/2003 Wilson
- 6,715,980 B2* 4/2004 Bouthillier 414/642

DESCRIPTION

FIG. 1 is a perspective view of a dumpster trailer that illustrates the novel design;
FIG. 2 is a top view of the dumpster trailer of FIG. 1;
FIG. 3 is a left side elevational view of the dumpster trailer of FIG. 1;
FIG. 4 is a right side elevational view of the dumpster trailer of FIG. 1;
FIG. 5 is a front view of the dumpster trailer of FIG. 1; and,
FIG. 6 is a back view of the dumpster trailer of FIG. 1.

1 Claim, 5 Drawing Sheets



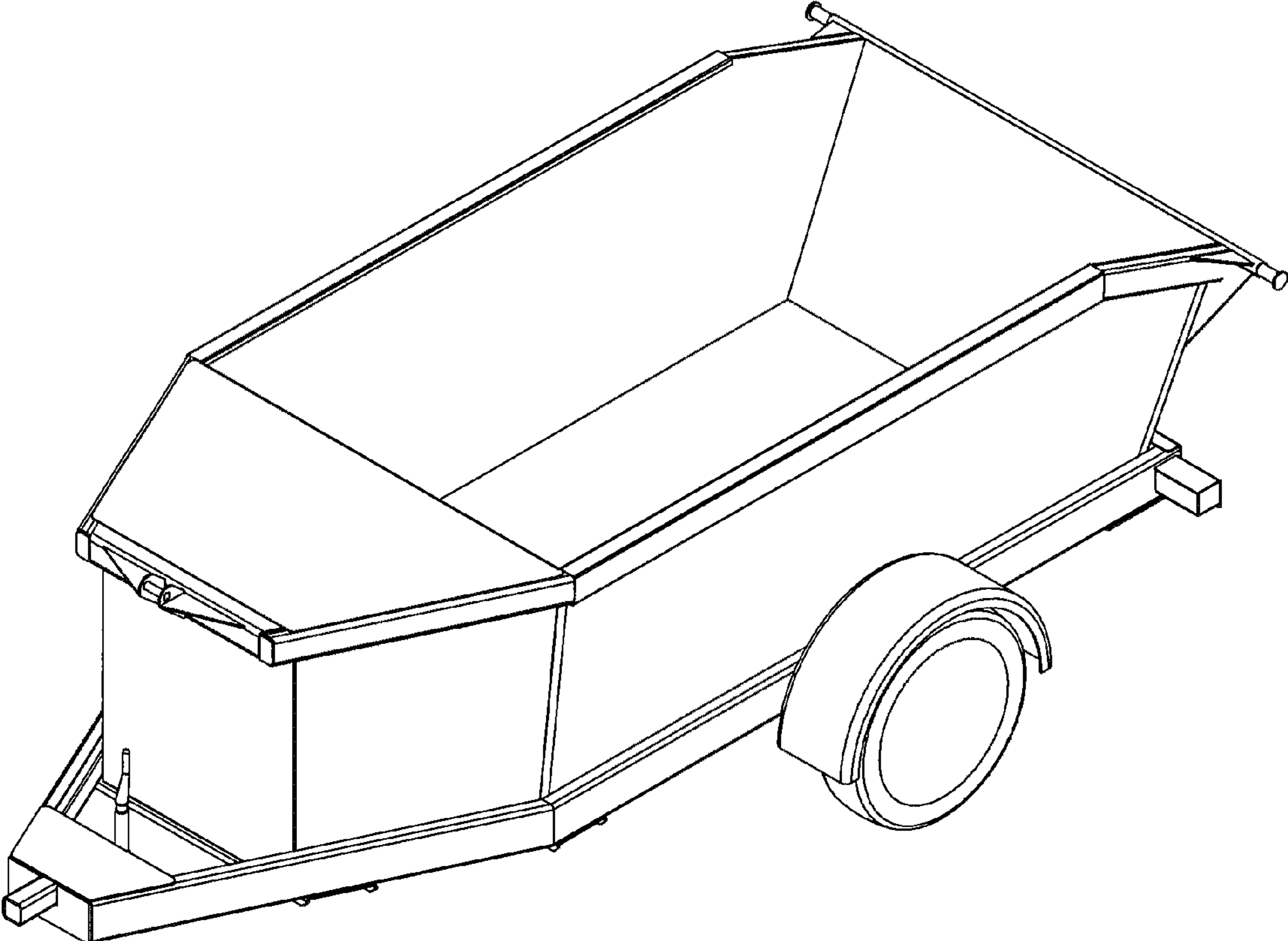


FIG. 1

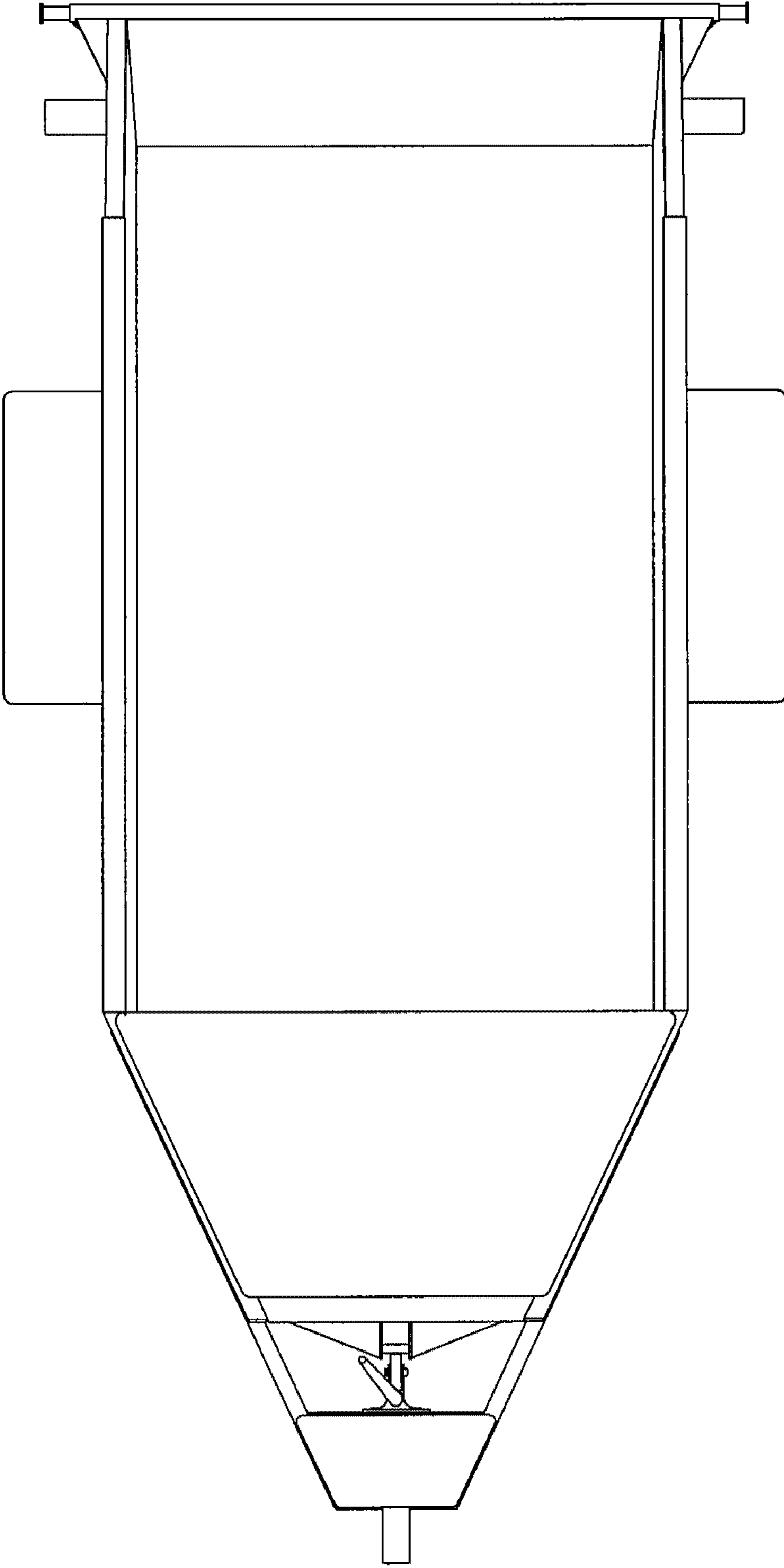


FIG. 2

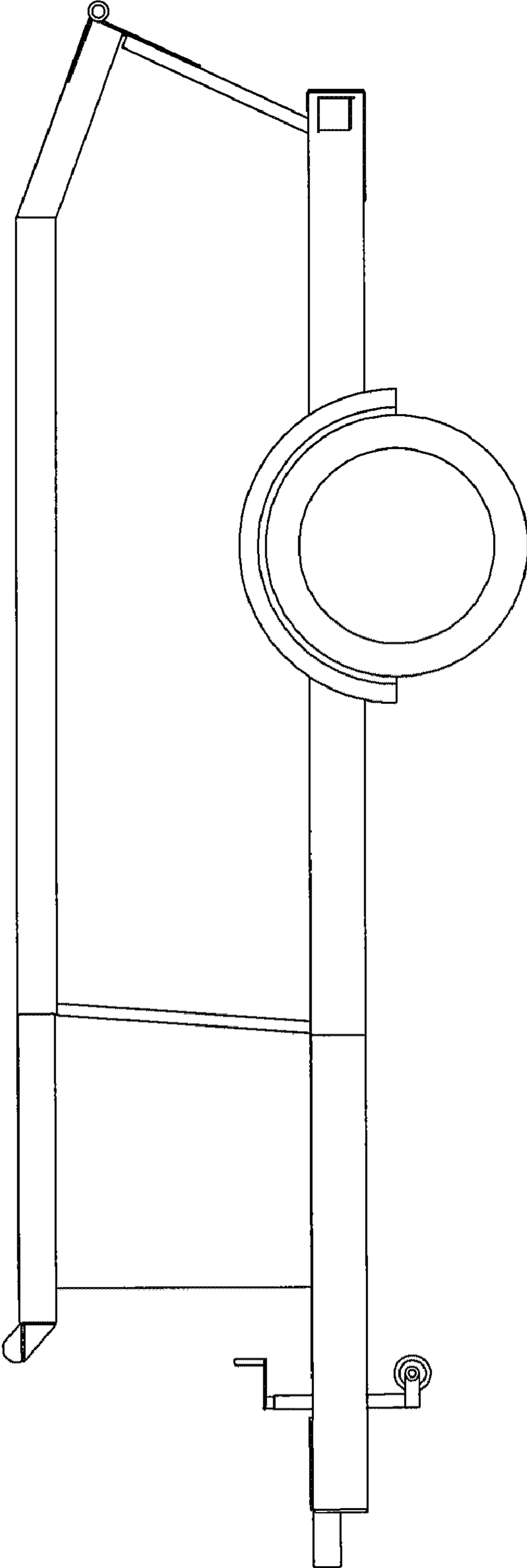


FIG. 3

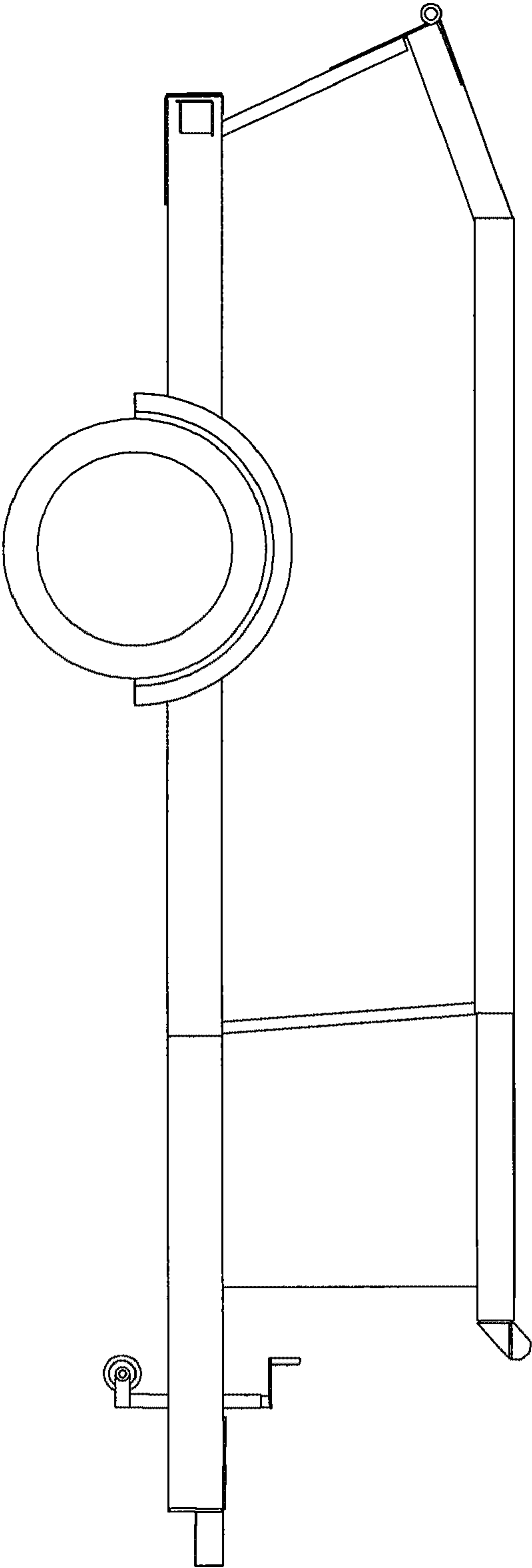


FIG. 4

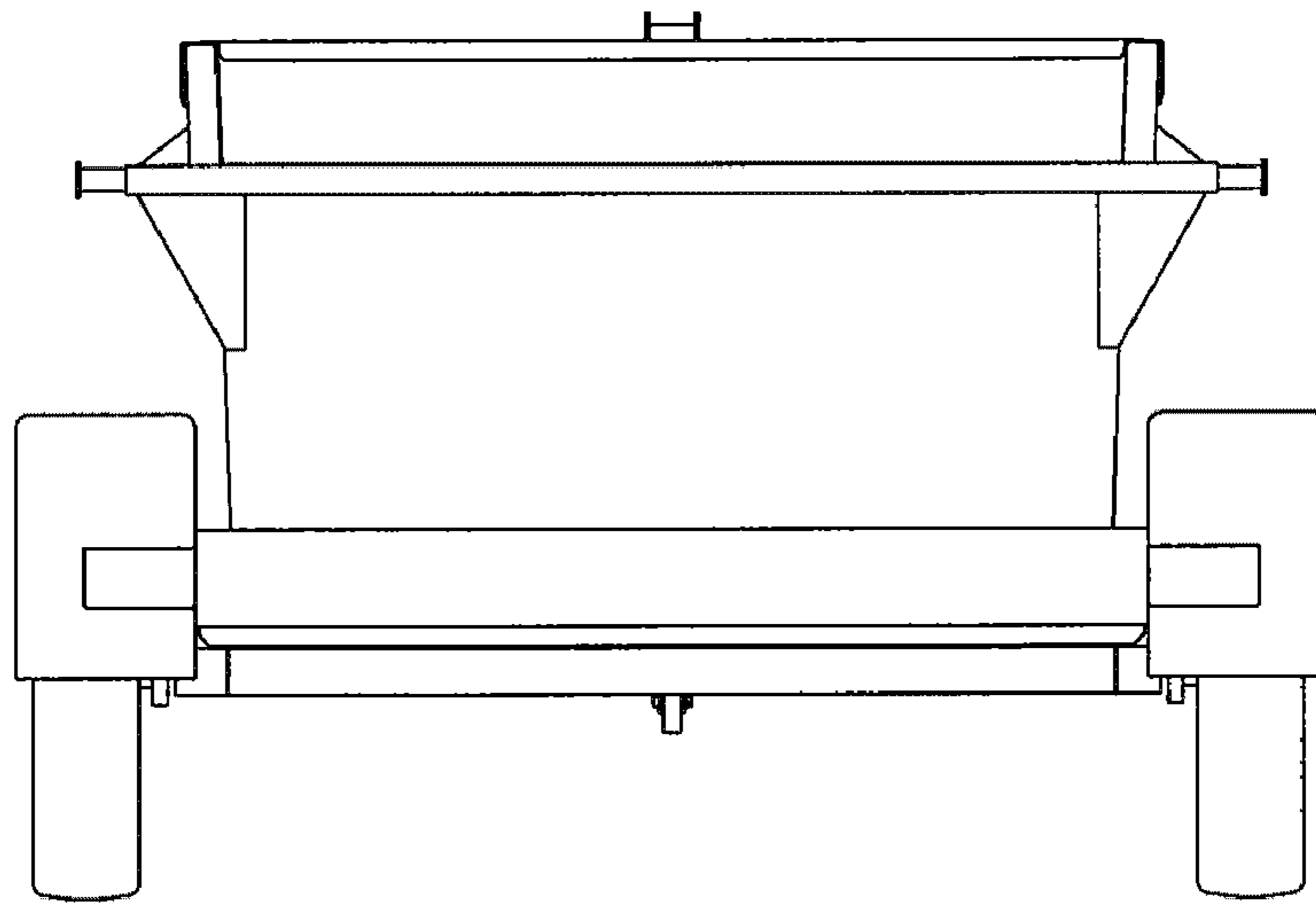


FIG. 5

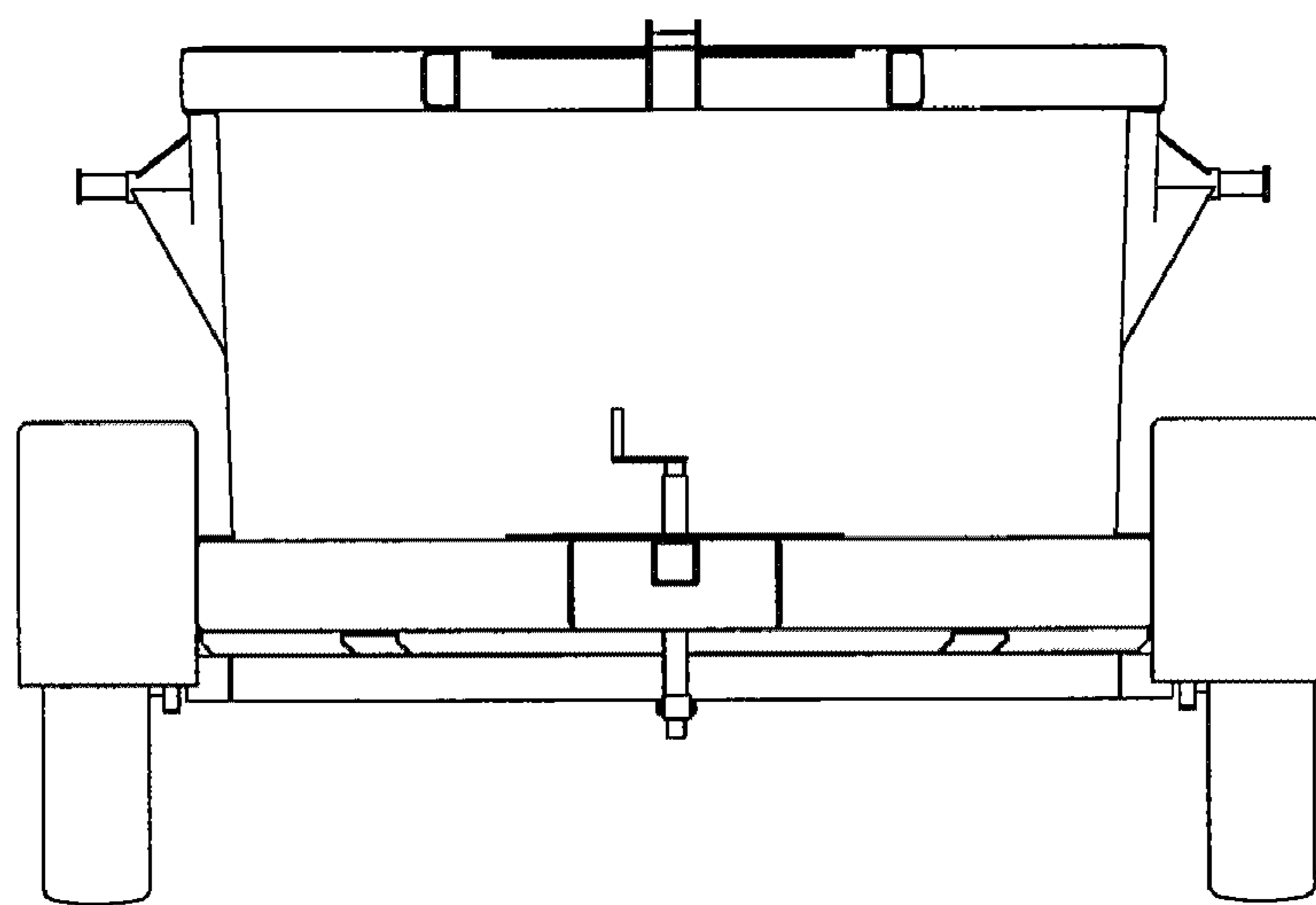


FIG. 6